




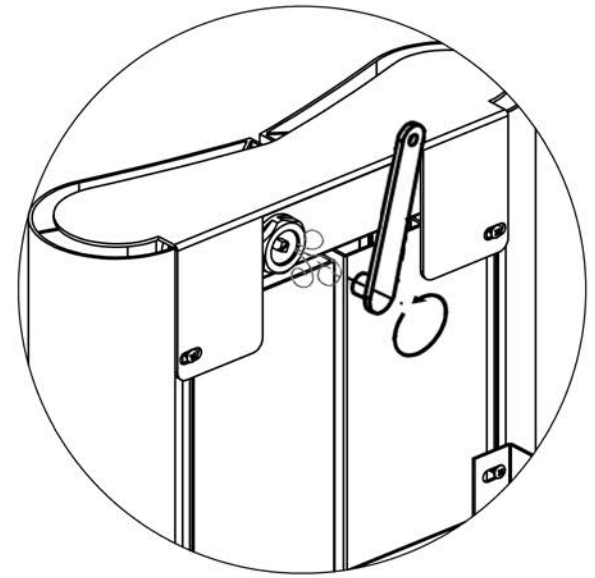


Key	Component	Qty
	A Bleeding Valve Key	1
	B Bleeding Valve 1/2 "	1
	C Bracket	2
	D Screw-5,5x45mm	4
	E Wall Plug	4



Assembly Instructions

Accurately mark out bracket holes on wall using spirit level. (Attention for pear shaped holes)

Drill 2x2 (four) holes 8mm diameter for upper and bottom brackets (B) which have been already mounted on radiator.

Place the wall plugs (D) into the holes on the wall and then drive the screws (C) into the wall plugs. Keep a little distance between screw head and wall to hang the radiator using with srew head.

Hang the radiator from pear shaped holes on bracket through to the screw head.