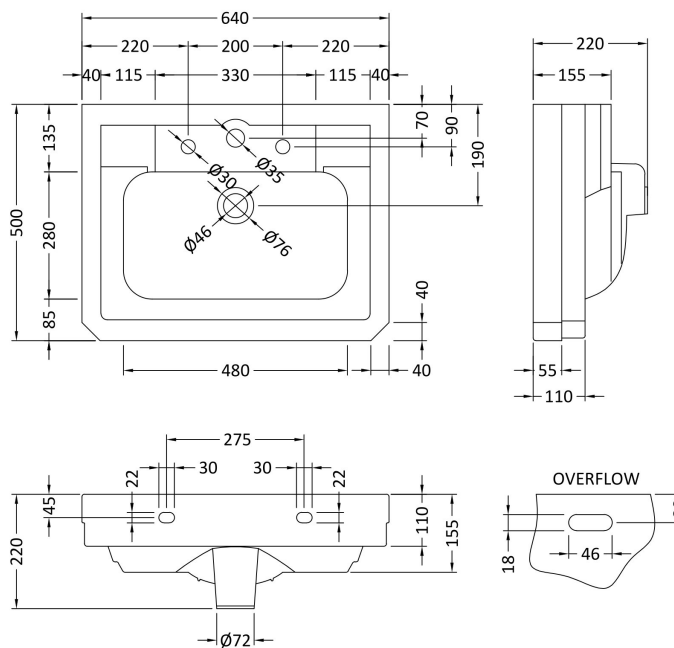


Sales Code: VCBL003

Description: Victrion 640mm Basin 3Th



### Product Dimensions

Height (mm):	220
Width (mm):	640
Depth (mm):	500
Nett Weight (kg):	17.9

### Packaging Dimensions

Height (mm):	220
Width (mm):	650
Depth (mm):	500
Gross Weight (kg):	18.4

### Packaging Data

Box Colour:	
Box Qty:	0
Label Size:	0 x 0
Label Colour:	
Label Qty:	0

### Outer Box Dimensions (If Applicable)

Height (mm):	
Width (mm):	
Depth (mm):	
Gross Weight (kg):	
Barcode:	5056211884705

### Product Details

Country of Origin:	China
Fitting Instruction:	
Certification: CE & UKCA:	WRAS: N/A WRAS No: N/A
Product Material:	Ceramic
Fixing Supplied:	No

**Pans/Bidets:** Trap Style: N/A Includes Seat: Not Applicable

**Seats:** Seat Type: N/A Material: Not Applicable  
Function: Not Applicable Hinge Type: Not Applicable  
Hinge Material: Not Applicable

**Cisterns:** Operating Type: Not Applicable Fittings: Not Applicable  
Lever Type: N/A

**Basins:** Tap Hole: Three Tapholes Chain Stay Hole: No  
Template: Not Applicable Waste Type Req: Slotted  
Overflow Inc: Yes Overflow Cover: Yes  
Inner Bowl Depth (mm): 140mm