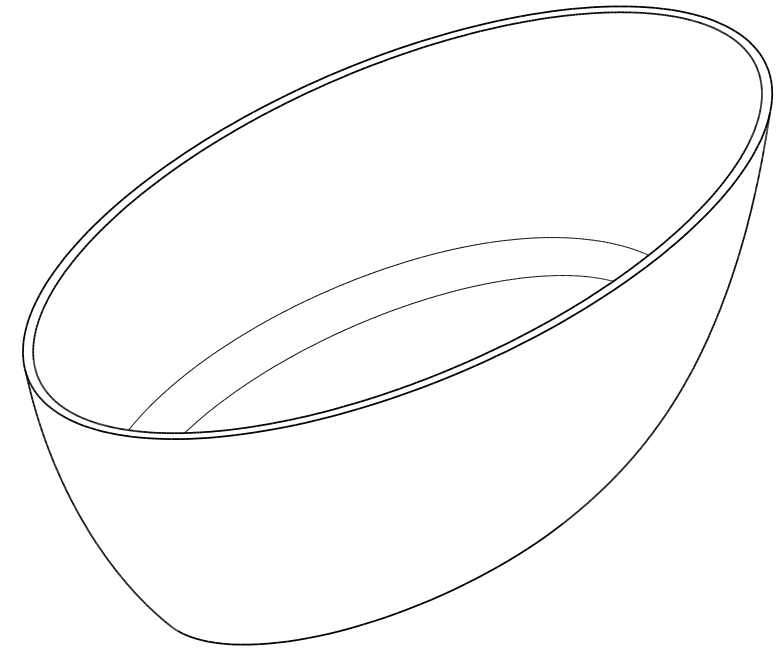
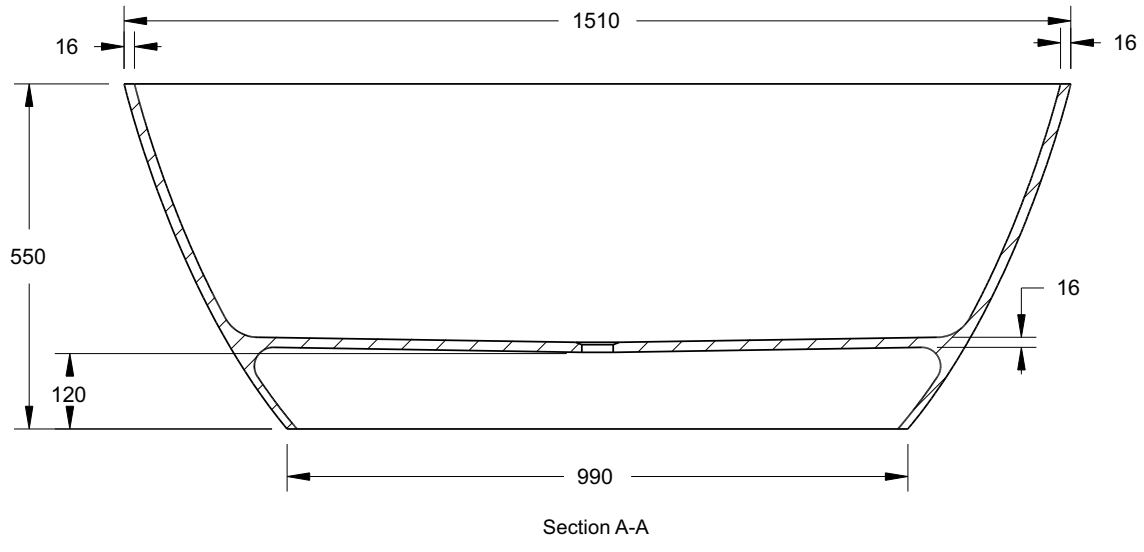
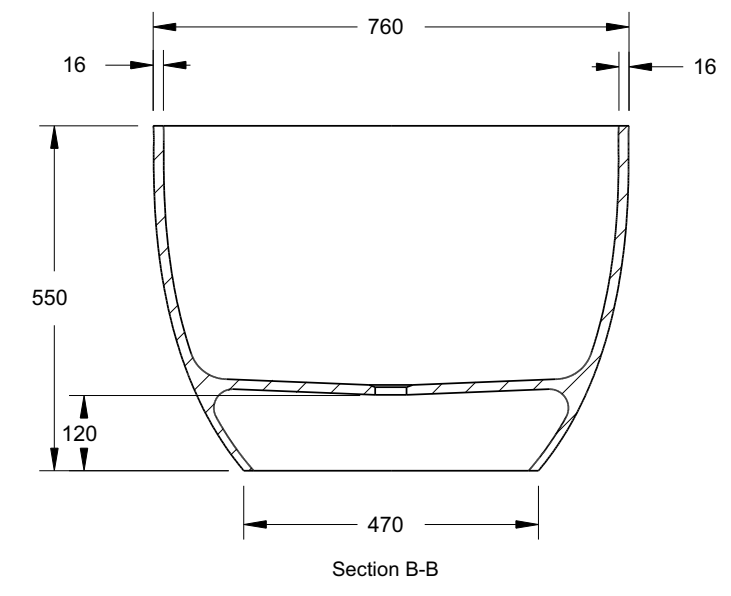
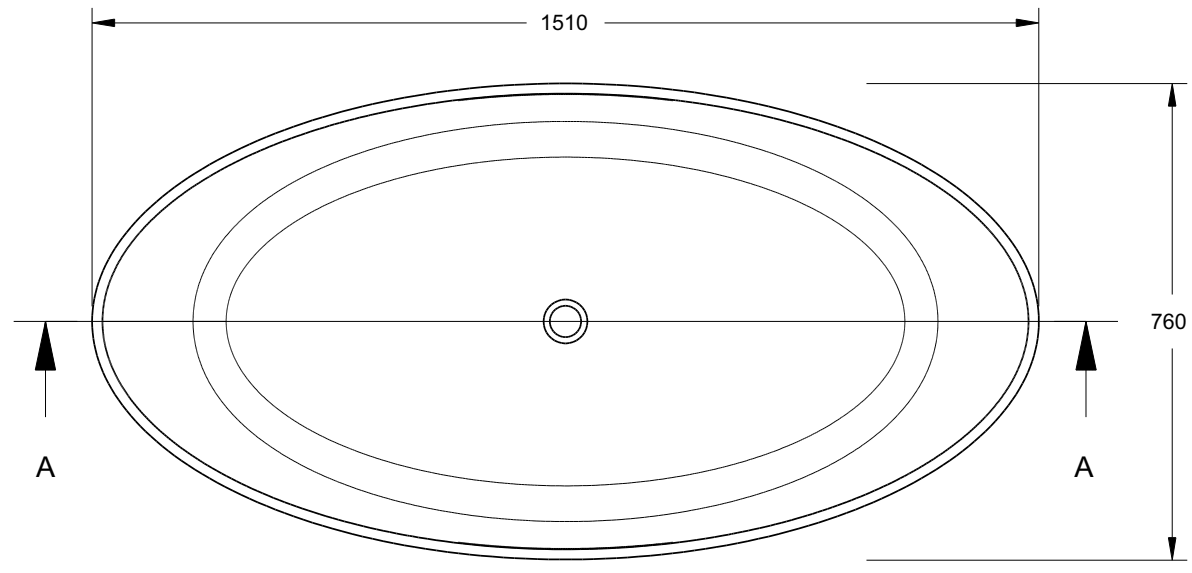


USED ON	NEXT HIGHER ASSEMBLY
-	-



REV	DRAWN	DATE	PARTICULARS	ECP No.

SCALE: 1:12 ON A3

DO NOT SCALE, USE DIMENSIONS. ALL DIMENSIONS ARE IN mm

RESTRICTED

MATL: WEIGHT = 75 Kg

TITLE: **ESETTA BATH**

SUB TITLE: **Esetta Bath**

CAD No: DRAWING No: 4

1/1 Rev: -

BC DESIGNS INT

FINAL APPR		
APPROVED		
APPROVED		
CHECKED		
DRAWN	FVK	19/09/2017