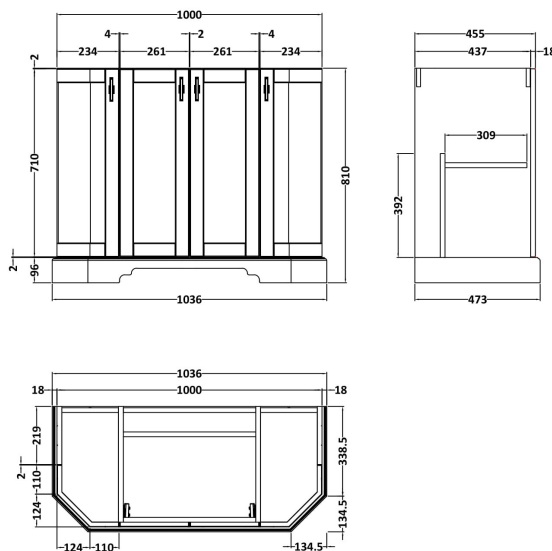
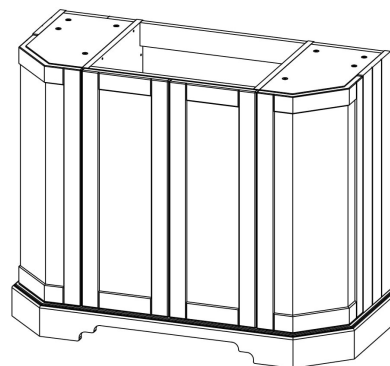


CUSTOMER DATA SHEET - FURNITURE

SALES CODE:

DESCRIPTION:



PRODUCT DIMENSIONS

Height (mm)	Width (mm)	Depth (mm)	Nett Wgt Kg

PACKAGING DIMENSIONS

Height (mm)	Width (mm)	Depth (mm)	Gross Wgt Kg

PACKAGING DATA

Box Colour			
Box Qty		Label Colour	
Label Size	x	Label Qty	

OUTER BOX DIMENSIONS (If Applicable)

Height (mm)	Width (mm)	Depth (mm)	Gross Wgt Kg
Barcode			

PRODUCT DETAILS

Country of Origin		Certification	FSC		CE	
Fitting Instruction		Colour				
Constr' Method		Constr' Type				
Cabinet Finish		Fascia Finish				
Cab Thickness (mm)		Fas Thickness (mm)				
Drawer Included		Drawer Type				
No of Shelves		Hinge Type				
Hinge Inc'		Adjustable Legs				
Fixings Inc'		Handle Style				
Handle Inc'		Waste Shroud				
Handle Type						