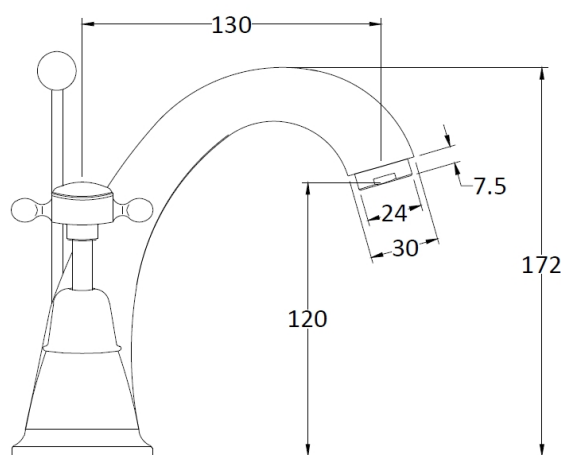
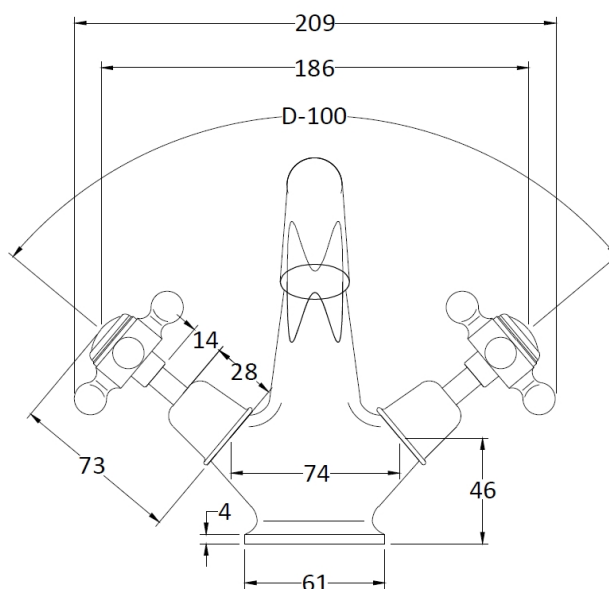


CUSTOMER SPECIFICATION SHEET - BRASSWARE

SALES CODE: CTA015

DESCRIPTION: VICTRION CROSSHEAD BASIN MIXER



PRODUCT DIMENSIONS

Height (mm)	Width (mm)	Depth (mm)	Length (mm)	Nett Wgt Kg
176	214	185		2.2

PACKAGING DIMENSIONS

Height (mm)	Width (mm)	Depth (mm)	Gross Wgt Kg
125	220	390	2.4

PACKAGING DATA

Box Colour	White Cardboard Box		
Box Qty	1	Label Colour	White Label
Label Size	100 X 50	Label Qty	1

OUTER BOX DIMENSIONS (If Applicable)

Height (mm)	Width (mm)	Depth (mm)	Length (mm)	Gross Wgt Kg
Barcode				

PRODUCT DETAILS

Country of Origin			
Fitting Instruction	Yes		
Product Material	Brass		
Control Type	Manual		
Waste Included	Waste Included		
WRAS Approval	No	Approval No.	N/A
Operating Pressure (bar)	0.1		
Valve/Cartridge Type	1/4 Turn Ceramic Disc		

Colour/Finish	Chrome									
Mount Type	Deck									
Waste Type	Pop-Up									
Flow Rates (Litres Per Min)	0.1 bar	6.4	0.5 bar	16.2	1 bar	23.4	2 bar	33.5	3 bar	41
Pipe Size	15 mm (1/2" Bsp)									
Pipe Centres	N/A									