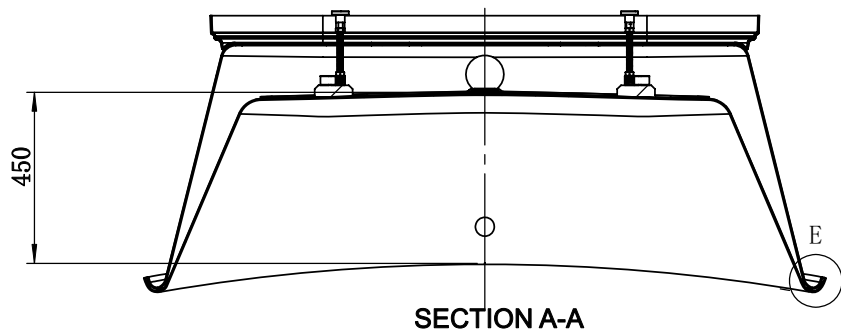
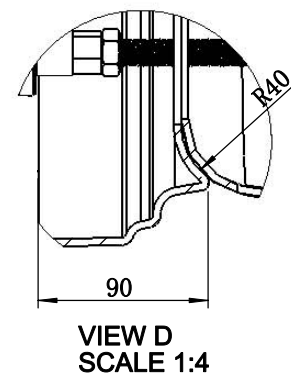
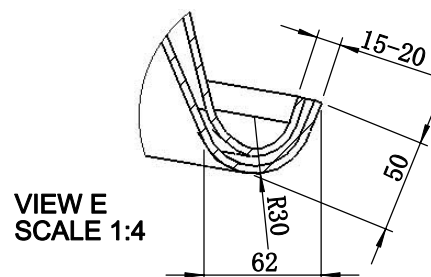
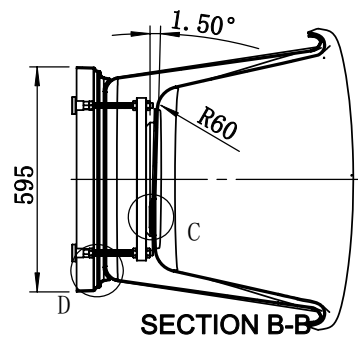
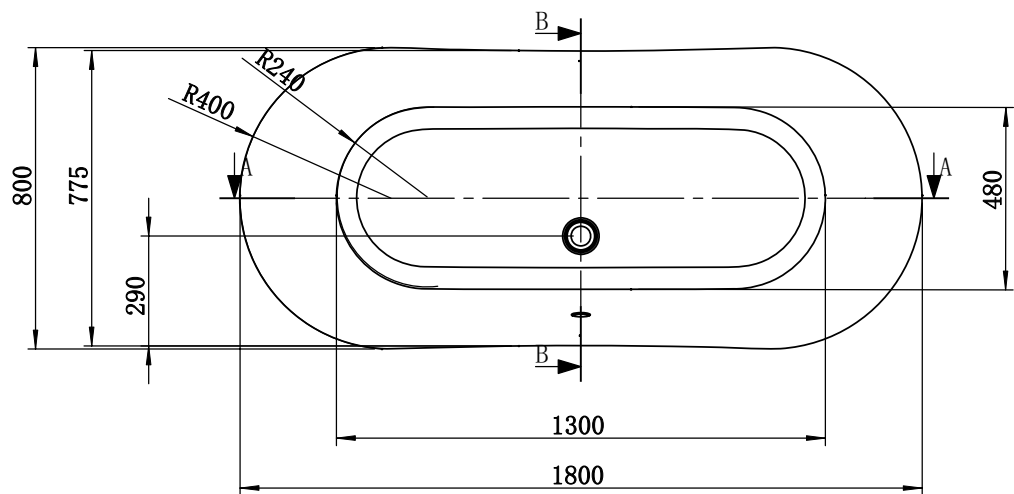
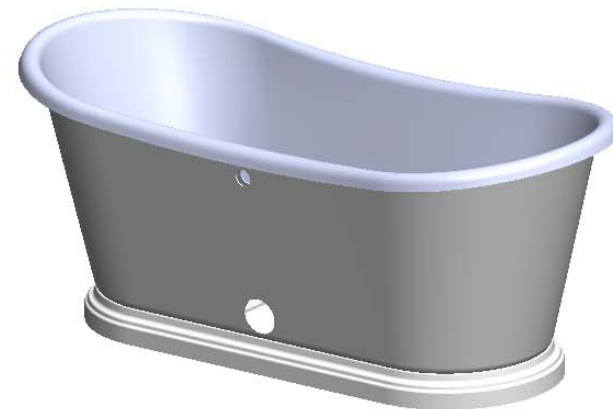
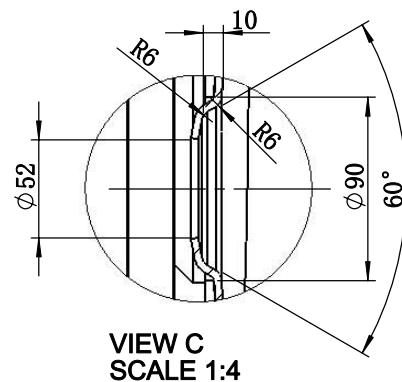
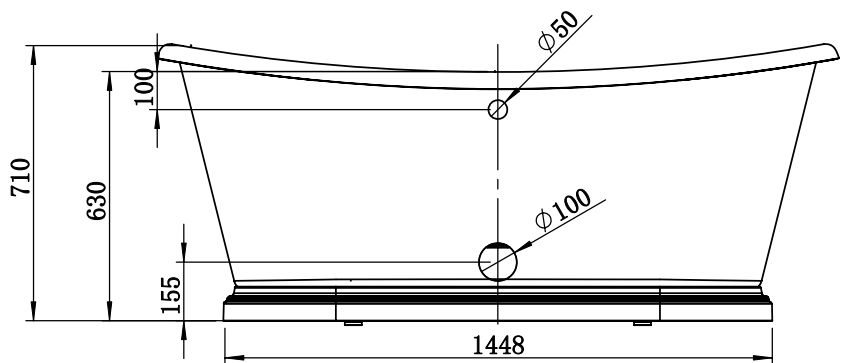


1	2	3	4	5	6
Rev	Description	Signature	Date		



<i>Proj Method</i>	Signature	Date	BC Designs			
	Approved by					
	Checked by		Material	Acrylic	Scale	1:20
	proofread by		Sheet Size	<i>A4</i>	Edition	<i>01</i>
	Drawn by		JULY 2012			
Name	NEW 1800 BOAT BATH		Number			