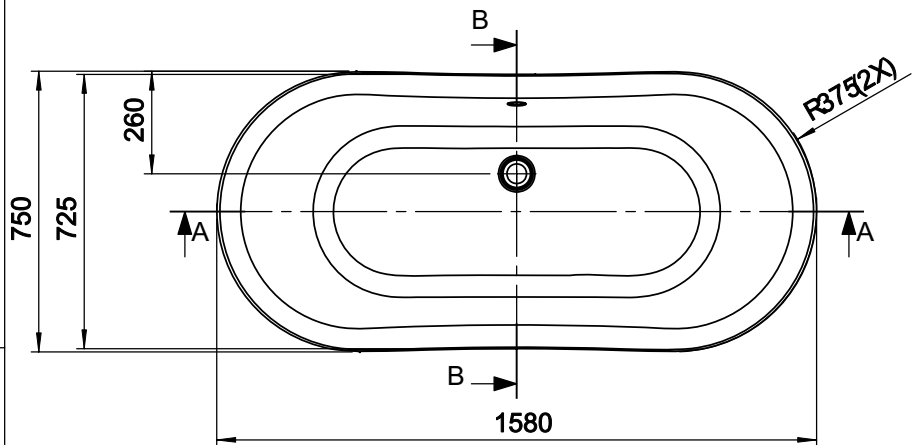
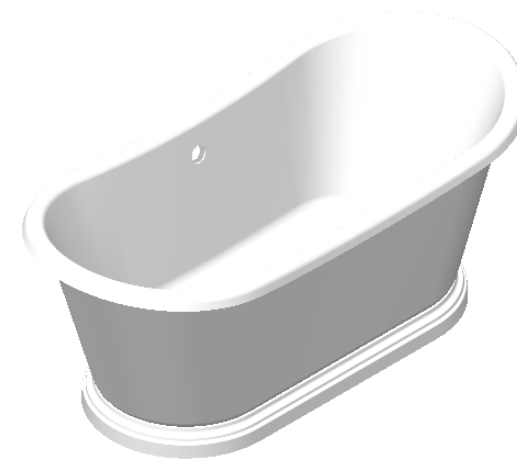
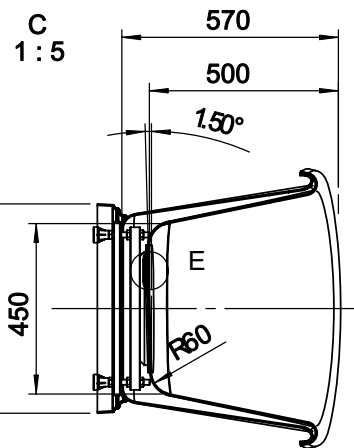
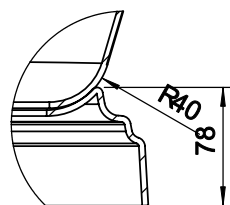
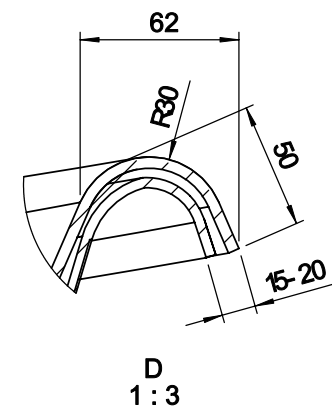
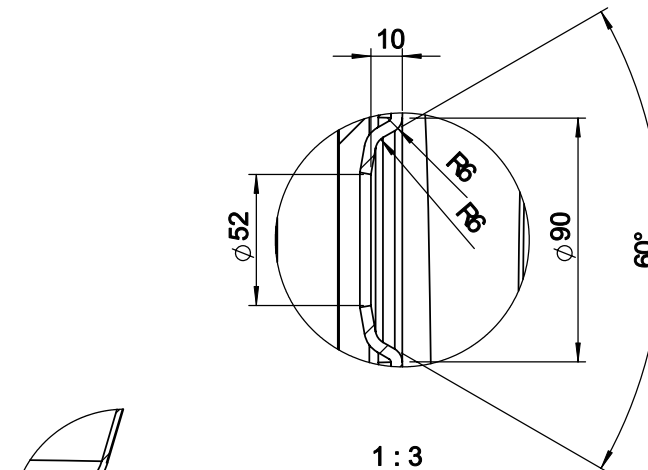
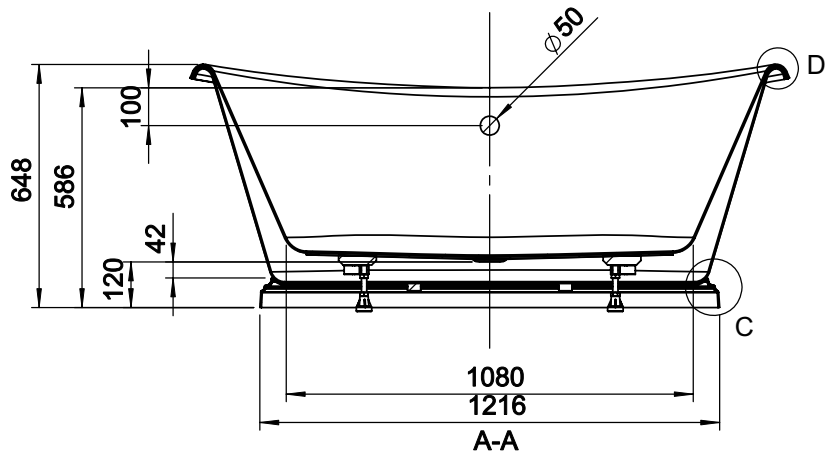
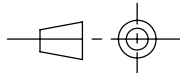


Rev	Description	Signature	Date



Proj Method	Signature	Date	bc designs				
	Approved by						
	Checked by		Material	Acrylic	Scale	1:20	
	proofread by		Sheet Size	A4	Edition	02	
	Drawn by		Name	1580 BOAT BATH		Number	

A
B
C
D

A
B
C
D