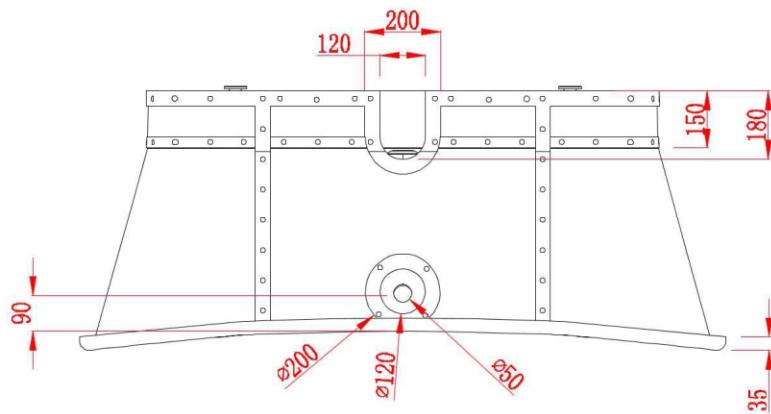
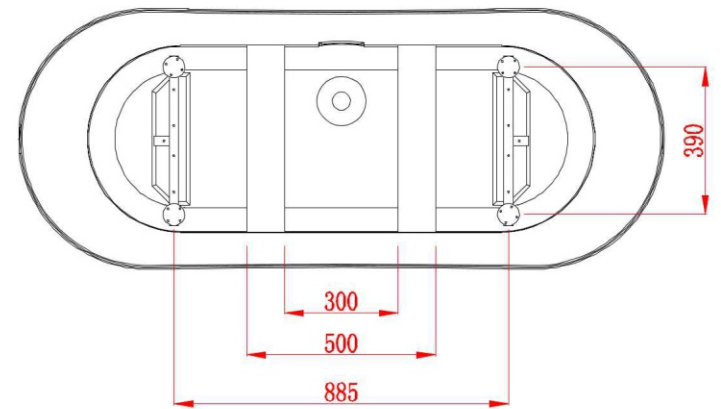
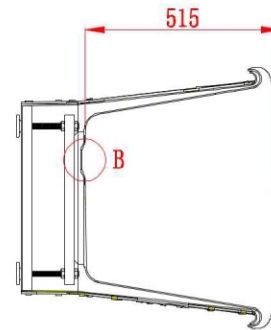
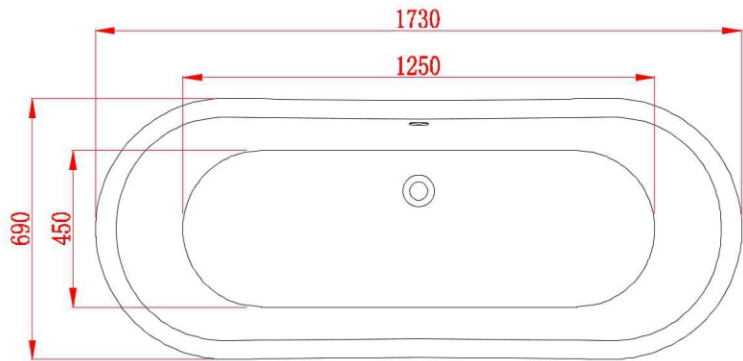


B
比例 1:5



			bcdesigns THE BATH MAKERS	
				1:20
			A4	01