



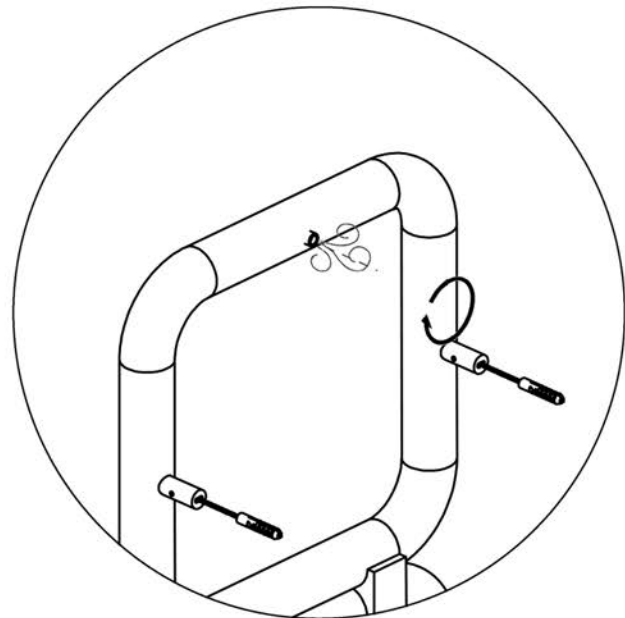


Key	Component	Qty
	<b>A</b> Round Wall	<b>4</b>
	<b>B</b> Stud	<b>4</b>
	<b>C</b> Screw-5,5x45mm	<b>4</b>
	<b>D</b> Wall Plug	<b>4</b>



**Assembly Instructions**

- Use bleeding valve key to turn bleeding valve on final installation.
- Accurately mark out bracket holes on wall using spirit level.
- Drill four 8mm hole for each brackets (A).
- Screw brackets (A) into wall plugs (D) with 5,5mm diameter x 45mm screws (C).
- Hang radiator by centering the studs into the brackets (A).
- Secure the stud with the grub screw (B) after setting wall distance.