

- RE-485/6** THE EDWARDIAN 6 COLUMN 485
- RE-660/6** THE EDWARDIAN 6 COLUMN 660
- RE-760/6** THE EDWARDIAN 6 COLUMN 760
- RE-960/6** THE EDWARDIAN 6 COLUMN 960

The Edwardian 6 Column Cast Iron Radiator influenced by the Edwardian era, provides high heat outputs in large areas.

Complementary to the 2 Column and 4 Column, the Edwardian range provides great flexibility when it comes to choosing the correct radiators for your project.



# Arroll

**RE-485/6 / RE-660/6 / RE-760/6 / RE-960/6** THE EDWARDIAN 6 COLUMN 485, 660, 760 & 960

## THE EDWARDIAN 6 COLUMN 485

### RADIATOR DIMENSIONS

Leg section height:	485 mm
Middle section height:	423 mm
Section length:	60 mm
Radiator depth:	254 mm

### INLET & EXIT

Bottom inlet to floor:	105 mm
Top inlet to floor:	455 mm
Pipe centres to skirting board:	127 mm

### HEAT OUTPUT PER SECTION

Delta $\Delta T$ 50°C:	95 Watts / 324 BTUs
Delta $\Delta T$ 60°C:	119 Watts / 409 BTUs

### RADIATOR WEIGHT

Empty weight per leg section:	6.9 KG
Empty weight per middle section:	6.1 KG
Filled weight per leg section:	7.7 KG
Filled weight per middle section:	6.9 KG

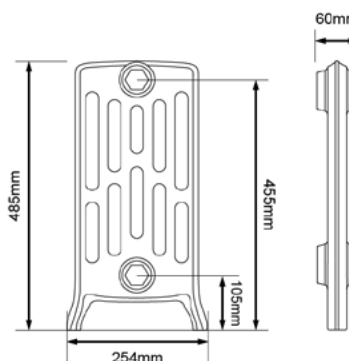
### INTERNAL VOLUME

Leg section	0.8 L
Middle section	0.8 L

\*All measurements and sizes are approximate.

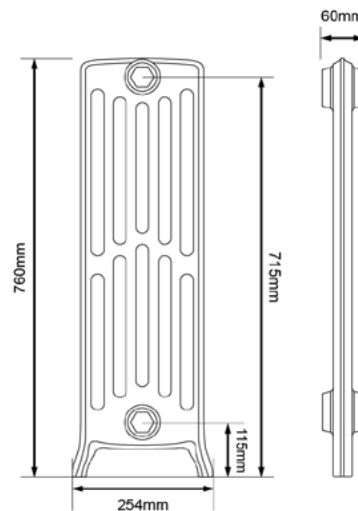
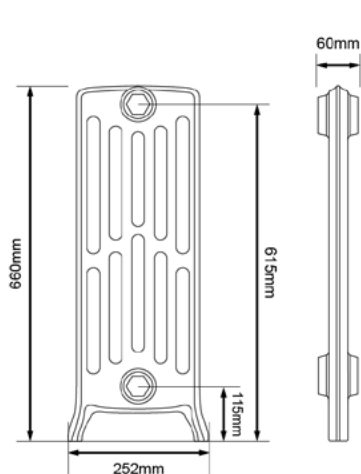
### Terms & Conditions

It is the policy of Arroll Limited to allow a 4% +/- tolerance on all measurements and sizes provided. It is not recommended that plumbers fit pipe centres prior to the arrival & inspection of the radiator. Warranty is subject to the installation of the radiator in accordance to the fitting instruction supplied. The Arroll name including its trademark is registered property of Arroll Limited, Belfast.



**RE-485/6** THE EDWARDIAN 6 COLUMN 485  
**RE-660/6** THE EDWARDIAN 6 COLUMN 660  
**RE-760/6** THE EDWARDIAN 6 COLUMN 760  
**RE-960/6** THE EDWARDIAN 6 COLUMN 960

**Arroll**



THE EDWARDIAN 6 COLUMN 660

THE EDWARDIAN 6 COLUMN 760

**RADIATOR DIMENSIONS**

Leg section height:	660 mm
Middle section height:	600 mm
Section length:	60 mm
Radiator depth:	252 mm

**RADIATOR DIMENSIONS**

Leg section height:	760 mm
Middle section height:	700 mm
Section length:	60 mm
Radiator depth:	254 mm

**INLET & EXIT**

Bottom inlet to floor:	115 mm
Top inlet to floor:	615 mm
Pipe centres to skirting board:	126 mm

**INLET & EXIT**

Bottom inlet to floor:	115 mm
Top inlet to floor:	715 mm
Pipe centres to skirting board:	127 mm

**HEAT OUTPUT PER SECTION**

Delta $\Delta T$ 50°C:	127 Watts / 433 BTUs
Delta $\Delta T$ 60°C:	160 Watts / 547 BTUs

**HEAT OUTPUT PER SECTION**

Delta $\Delta T$ 50°C:	147 Watts / 502 BTUs
Delta $\Delta T$ 60°C:	185 Watts / 634 BTUs

**RADIATOR WEIGHT**

Empty weight per leg section:	9.3 KG
Empty weight per middle section:	8.1 KG
Filled weight per leg section:	10.4 KG
Filled weight per middle section:	9.2 KG

**RADIATOR WEIGHT**

Empty weight per leg section:	9.9 KG
Empty weight per middle section:	8.7 KG
Filled weight per leg section:	11.2 KG
Filled weight per middle section:	10.0 KG

**INTERNAL VOLUME**

Leg section	1.1 L
Middle section	1.1 L

**INTERNAL VOLUME**

Leg section	1.3 L
Middle section	1.3 L

\*All measurements and sizes are approximate.

\*All measurements and sizes are approximate.

**Terms & Conditions**

It is the policy of Arroll Limited to allow a 4% +/- tolerance on all measurements and sizes provided. It is not recommended that plumbers fit pipe centres prior to the arrival & inspection of the radiator. Warranty is subject to the installation of the radiator in accordance to the fitting instruction supplied. The Arroll name including its trademark is registered property of Arroll Limited, Belfast.

**RE-485/6** THE EDWARDIAN 6 COLUMN 485  
**RE-660/6** THE EDWARDIAN 6 COLUMN 660  
**RE-760/6** THE EDWARDIAN 6 COLUMN 760  
**RE-960/6** THE EDWARDIAN 6 COLUMN 960



**Arroll**

**RE-485/6 / RE-660/6 / RE-760/6 / RE-960/6** THE EDWARDIAN 6 COLUMN 485, 660, 760 & 960

THE EDWARDIAN 6 COLUMN 960

**RADIATOR DIMENSIONS**

Leg section height:	960 mm
Middle section height:	900 mm
Section length:	60 mm
Radiator depth:	250 mm

**INLET & EXIT**

Bottom inlet to floor:	115 mm
Top inlet to floor:	915 mm
Pipe centres to skirting board:	125 mm

**HEAT OUTPUT PER SECTION**

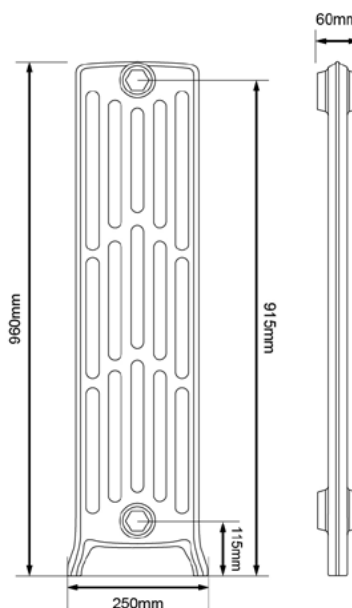
Delta $\Delta T$ 50°C:	184 Watts / 662 BTUs
Delta $\Delta T$ 60°C:	245 Watts / 836 BTUs

**RADIATOR WEIGHT**

Empty weight per leg section:	12.3 KG
Empty weight per middle section:	11.5 KG
Filled weight per leg section:	13.8 KG
Filled weight per middle section:	13.0 KG

**INTERNAL VOLUME**

Leg section	1.5 L
Middle section	1.5 L



\*All measurements and sizes are approximate.

**Terms & Conditions**

It is the policy of Arroll Limited to allow a 4% +/- tolerance on all measurements and sizes provided. It is not recommended that plumbers fit pipe centres prior to the arrival & inspection of the radiator. Warranty is subject to the installation of the radiator in accordance to the fitting instruction supplied. The Arroll name including its trademark is registered property of Arroll Limited, Belfast.