

PRF-560 THE ROCOCO 1 COLUMN 560
PRF-660 THE ROCOCO 1 COLUMN 660
PRF-950 THE ROCOCO 1 COLUMN 950

The Rococo 1 Column is available in 3 different heights and is designed for narrow areas such as hallways and landings. With the beautiful embossed scrolling, this elegant model is an excellent statement piece.

The Rococo 1 Column complements its sister model the Rococo 3 Column, the Parisian 2 Column and the Montmartre cast iron radiators.



Arroll[®]

THE ROCOCO 1 COLUMN 560

RADIATOR DIMENSIONS

Leg section height:	562 mm
Middle section height:	504 mm
Section length:	74 mm
Radiator depth:	140 mm

INLET & EXIT

Bottom inlet to floor:	114 mm
Top inlet to floor:	514 mm
Pipe centres to skirting board:	70 mm

HEAT OUTPUT PER SECTION

Delta ΔT 50°C:	60 Watts / 205 BTUs
Delta ΔT 60°C:	75 Watts / 259 BTUs

RADIATOR WEIGHT

Empty weight per leg section:	7.3 KG
Empty weight per middle section:	6.0 KG
Filled weight per leg section:	8.3 KG
Filled weight per middle section:	7.0 KG

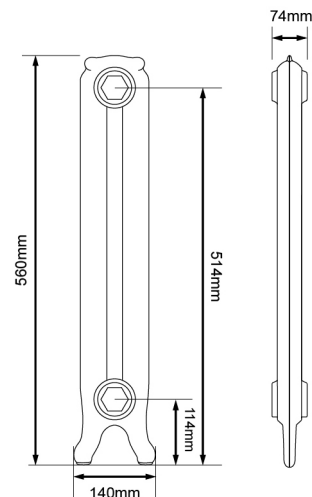
INTERNAL VOLUME

Leg section	1.0 L
Middle section	1.0 L

*All measurements and sizes are approximate.

Terms & Conditions

It is the policy of Arroll Limited to allow a 4% +/- tolerance on all measurements and sizes provided. It is not recommended that plumbers fit pipe centres prior to the arrival & inspection of the radiator. Warranty is subject to the instillation of the radiator in accordance to the fitting instruction supplied. The Arroll name including its trademark is registered property of Arroll Limited, Belfast.



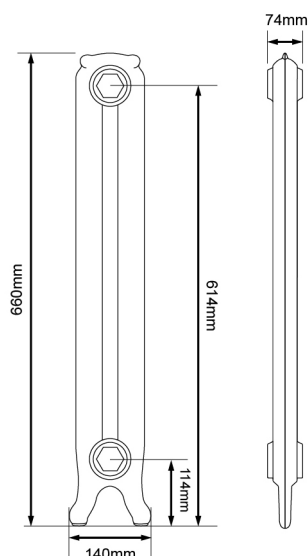
PRF-560 / PRF-660 / PRF-950 THE ROCOCO 1 COLUMN 560, 660 & 950

RD-450/3 THE NEO-CLASSIC 450

RD-650/3 THE NEO-CLASSIC 650

RD-750/3 THE NEO-CLASSIC 750

Arroll[®]



THE ROCOCO 1 COLUMN 660

RADIATOR DIMENSIONS

Leg section height:	660 mm
Middle section height:	595 mm
Section length:	74 mm
Radiator depth:	140 mm

INLET & EXIT

Bottom inlet to floor:	114 mm
Top inlet to floor:	614 mm
Pipe centres to skirting board:	70 mm

HEAT OUTPUT PER SECTION

Delta ΔT 50°C:	69 Watts / 237 BTUs
Delta ΔT 60°C:	87 Watts / 299 BTUs

RADIATOR WEIGHT

Empty weight per leg section:	6.8 KG
Empty weight per middle section:	6.1 KG
Filled weight per leg section:	8.0 KG
Filled weight per middle section:	7.3 KG

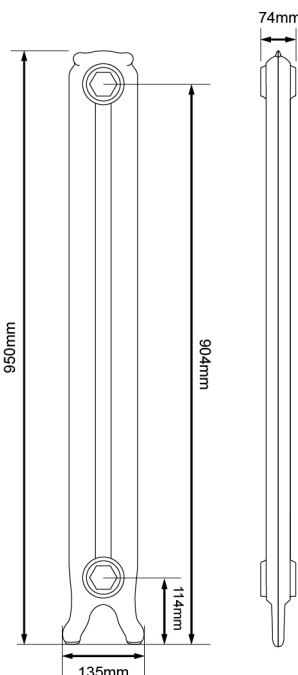
INTERNAL VOLUME

Leg section	1.2 L
Middle section	1.2 L

*All measurements and sizes are approximate.

Terms & Conditions

It is the policy of Arroll Limited to allow a 4% +/- tolerance on all measurements and sizes provided. It is not recommended that plumbers fit pipe centres prior to the arrival & inspection of the radiator. Warranty is subject to the installation of the radiator in accordance to the fitting instruction supplied. The Arroll name including its trademark is registered property of Arroll Limited, Belfast.



THE ROCOCO 1 COLUMN 950

RADIATOR DIMENSIONS

Leg section height:	950 mm
Middle section height:	890 mm
Section length:	74 mm
Radiator depth:	135 mm

INLET & EXIT

Bottom inlet to floor:	114 mm
Top inlet to floor:	904 mm
Pipe centres to skirting board:	67.5 mm

HEAT OUTPUT PER SECTION

Delta ΔT 50°C:	96 Watts / 329 BTUs
Delta ΔT 60°C:	121 Watts / 415 BTUs

RADIATOR WEIGHT

Empty weight per leg section:	10.4 KG
Empty weight per middle section:	9.8 KG
Filled weight per leg section:	12.1 KG
Filled weight per middle section:	11.5 KG

INTERNAL VOLUME

Leg section	1.7 L
Middle section	1.7 L

*All measurements and sizes are approximate.

PRF-560 / PRF-660 / PRF-950 THE ROCOCO 1 COLUMN 560, 660 & 950