

**RA-480 THE MONTMARTRE 480**  
**RA-760 THE MONTMARTRE 760**

The charming and intricate design of the Montmartre cast iron radiator is evident in the French rococo scrolling in each section.

The Montmartre is one of the most popular on our collection, available in two sizes and it complements the Parisian and Rococo Models



**Arroll**

**MONTMARTRE 480**

**RADIATOR DIMENSIONS**

Leg section height:	474 mm
Middle section height:	420 mm
Section length	81 mm
Radiator depth:	256 mm

**INLET & EXIT**

Bottom inlet to floor:	115 mm
Top inlet to floor:	415 mm
Pipe centres to skirting board:	128 mm

**HEAT OUTPUT PER SECTION**

Delta $\Delta T$ 50°C:	90 Watts / 307 BTUs
Delta $\Delta T$ 60°C:	113 Watts / 388 BTUs

**RADIATOR WEIGHT**

Empty weight per leg section:	8.7 KG
Empty weight per middle section:	7.8 KG
Filled weight per leg section:	10.7 KG
Filled weight per middle section:	9.8 KG

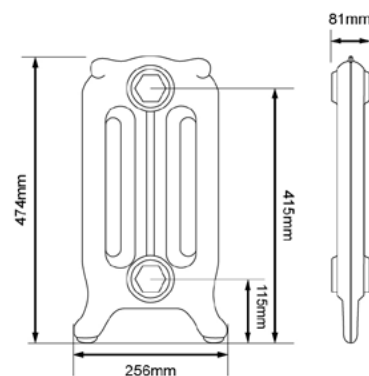
**INTERNAL VOLUME**

Leg section:	2.0 L
Middle section:	2.0 L

\*All measurements and sizes are approximate.

**Terms & Conditions**

It is the policy of Arroll Limited to allow a 4% +/- tolerance on all measurements and sizes provided. It is not recommended that plumbers fit pipe centres prior to the arrival & inspection of the radiator. Warranty is subject to the instillation of the radiator in accordance to the fitting instruction supplied. The Arroll name including its trademark is registered property of Arroll Limited, Belfast.



**RA-480 / RA-760 THE MONTMARTRE 480 & 760**

**RA-480 THE MONTMARTRE 480**  
**RA-760 THE MONTMARTRE 760**

The charming and intricate design of the Montmartre cast iron radiator is evident in the French rococo scrolling in each section.

The Montmartre is one of the most popular on our collection, available in two sizes and it complements the Parisian and Rococo Models



**Arroll**

**MONTMARTRE 760**

**RADIATOR DIMENSIONS**

Leg section height:	760 mm
Middle section height:	705 mm
Section length	81 mm
Radiator depth:	247 mm

**INLET & EXIT**

Bottom inlet to floor:	110 mm
Top inlet to floor:	710 mm
Pipe centres to skirting board:	123.5 mm

**HEAT OUTPUT PER SECTION**

Delta $\Delta T$ 50°C:	114 Watts / 491 BTUs
Delta $\Delta T$ 60°C:	181 Watts / 620 BTUs

**RADIATOR WEIGHT**

Empty weight per leg section:	14.1 KG
Empty weight per middle section:	12.1 KG
Filled weight per leg section:	16.3 KG
Filled weight per middle section:	14.3 KG

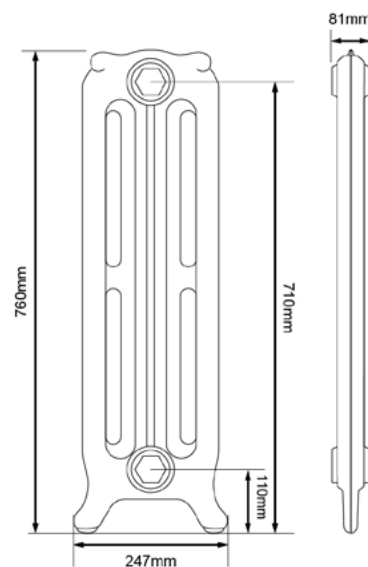
**INTERNAL VOLUME**

Leg section:	2.2 L
Middle section:	2.2 L

\*All measurements and sizes are approximate.

**Terms & Conditions**

It is the policy of Arroll Limited to allow a 4% +/- tolerance on all measurements and sizes provided. It is not recommended that plumbers fit pipe centres prior to the arrival & inspection of the radiator. Warranty is subject to the installation of the radiator in accordance to the fitting instruction supplied. The Arroll name including its trademark is registered property of Arroll Limited, Belfast.



**RA-480 / RA-760 THE MONTMARTRE 480 & 760**