

- RE-360/4** THE EDWARDIAN 4 COLUMN 360
- RE-480/4** THE EDWARDIAN 4 COLUMN 480
- RE-660/4** THE EDWARDIAN 4 COLUMN 660
- RE-760/4** THE EDWARDIAN 4 COLUMN 760
- RE-960/4** THE EDWARDIAN 4 COLUMN 960

The Edwardian 4 Column is influenced by the Edwardian Era with a curved top and clean, crisp casting lines suited to both modern and traditional homes.

The Edwardian 4 Column cast iron radiator comes in 4 different heights and is complementary to the Edwardian 2 Column and the 6 Column , providing flexibility of placement.



# Arroll

RE-360/4 / RE-480/4 / RE-660/4 / RE-760/4 / RE-960/4 THE EDWARDIAN 360, 480, 660, 760 & 960

## THE EDWARDIAN 4 COLUMN 360

### RADIATOR DIMENSIONS

Leg section height:	360 mm
Middle section height:	300 mm
Section length:	60 mm
Radiator depth:	175 mm

### INLET & EXIT

Bottom inlet to floor:	110 mm
Top inlet to floor:	310 mm
Pipe centres to skirting board:	87.5 mm

### HEAT OUTPUT PER SECTION

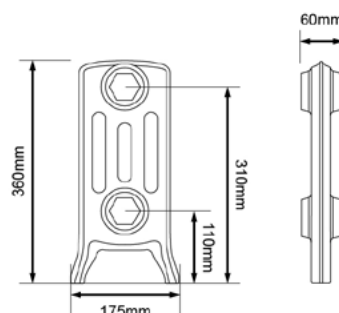
Delta $\Delta T$ 50°C:	43 Watts / 147 BTUs
Delta $\Delta T$ 60°C:	51 Watts / 185 BTUs

### RADIATOR WEIGHT

Empty weight per leg section:	3.7 KG
Empty weight per middle section:	3.3 KG
Filled weight per leg section:	4.2 KG
Filled weight per middle section:	3.8 KG

### INTERNAL VOLUME

Leg section	0.5 L
Middle section	0.5 L

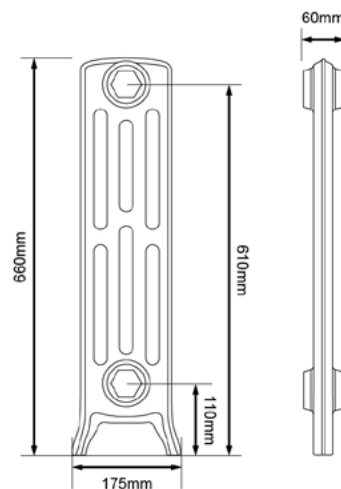
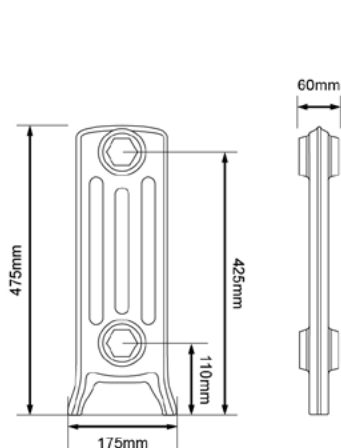


\*All measurements and sizes are approximate.

### Terms & Conditions

It is the policy of Arroll Limited to allow a 4% +/- tolerance on all measurements and sizes provided. It is not recommended that plumbers fit pipe centres prior to the arrival & inspection of the radiator. Warranty is subject to the instillation of the radiator in accordance to the fitting instruction supplied. The Arroll name including its trademark is registered property of Arroll Limited, Belfast.

**RE-360/4** THE EDWARDIAN 4 COLUMN 360  
**RE-480/4** THE EDWARDIAN 4 COLUMN 480  
**RE-660/4** THE EDWARDIAN 4 COLUMN 660  
**RE-760/4** THE EDWARDIAN 4 COLUMN 760  
**RE-960/4** THE EDWARDIAN 4 COLUMN 960



#### THE EDWARDIAN 4 COLUMN 480

##### RADIATOR DIMENSIONS

Leg section height:	475 mm
Middle section height:	425 mm
Section length:	60 mm
Radiator depth:	175 mm

##### INLET & EXIT

Bottom inlet to floor:	110 mm
Top inlet to floor:	425 mm
Pipe centres to skirting board:	87.5 mm

##### HEAT OUTPUT PER SECTION

Delta $\Delta T$ 50°C:	64 Watts / 218 BTUs
Delta $\Delta T$ 60°C:	80 Watts / 275 BTUs

##### RADIATOR WEIGHT

Empty weight per leg section:	4.6 KG
Empty weight per middle section:	4.2 KG
Filled weight per leg section:	5.6 KG
Filled weight per middle section:	5.2 KG

##### INTERNAL VOLUME

Leg section	1.0 L
Middle section	1.0 L

\*All measurements and sizes are approximate.

##### Terms & Conditions

It is the policy of Arroll Limited to allow a 4% +/- tolerance on all measurements and sizes provided. It is not recommended that plumbers fit pipe centres prior to the arrival & inspection of the radiator. Warranty is subject to the installation of the radiator in accordance to the fitting instruction supplied. The Arroll name including its trademark is registered property of Arroll Limited, Belfast.

#### THE EDWARDIAN 4 COLUMN 660

##### RADIATOR DIMENSIONS

Leg section height:	660 mm
Middle section height:	596 mm
Section length:	60 mm
Radiator depth:	175 mm

##### INLET & EXIT

Bottom inlet to floor:	110 mm
Top inlet to floor:	610 mm
Pipe centres to skirting board:	87.5 mm

##### HEAT OUTPUT PER SECTION

Delta $\Delta T$ 50°C:	92 Watts / 314 BTUs
Delta $\Delta T$ 60°C:	116 Watts / 396 BTUs

##### RADIATOR WEIGHT

Empty weight per leg section:	5.8 KG
Empty weight per middle section:	5.1 KG
Filled weight per leg section:	6.9 KG
Filled weight per middle section:	6.2 KG

##### INTERNAL VOLUME

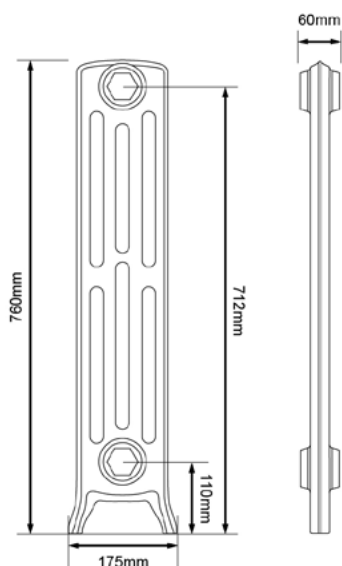
Leg section	1.1 L
Middle section	1.1 L

\*All measurements and sizes are approximate.

# Arroll

RE-360/4 / RE-480/4 / RE-660/4 / RE-760/4 / RE-960/4 THE EDWARDIAN 360, 480, 660, 760 & 960

**RE-360/4** THE EDWARDIAN 4 COLUMN 360  
**RE-480/4** THE EDWARDIAN 4 COLUMN 480  
**RE-660/4** THE EDWARDIAN 4 COLUMN 660  
**RE-760/4** THE EDWARDIAN 4 COLUMN 760  
**RE-960/4** THE EDWARDIAN 4 COLUMN 960



THE EDWARDIAN 4 COLUMN 760

#### RADIATOR DIMENSIONS

Leg section height:	760 mm
Middle section height:	700 mm
Section length:	60 mm
Radiator depth:	175 mm

#### INLET & EXIT

Bottom inlet to floor:	110 mm
Top inlet to floor:	712 mm
Pipe centres to skirting board:	87.5 mm

#### HEAT OUTPUT PER SECTION

Delta $\Delta T$ 50°C:	107 Watts / 365 BTUs
Delta $\Delta T$ 60°C:	135 Watts / 461 BTUs

#### RADIATOR WEIGHT

Empty weight per leg section:	6.7 KG
Empty weight per middle section:	6.3 KG
Filled weight per leg section:	7.9 KG
Filled weight per middle section:	7.5 KG

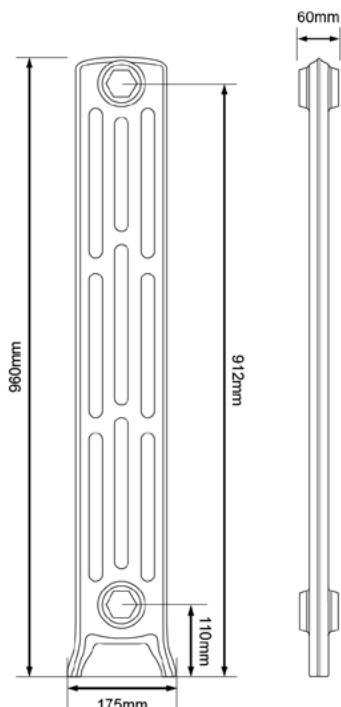
#### INTERNAL VOLUME

Leg section	1.2 L
Middle section	1.2 L

\*All measurements and sizes are approximate.

#### Terms & Conditions

It is the policy of Arroll Limited to allow a 4% +/- tolerance on all measurements and sizes provided. It is not recommended that plumbers fit pipe centres prior to the arrival & inspection of the radiator. Warranty is subject to the installation of the radiator in accordance to the fitting instruction supplied. The Arroll name including its trademark is registered property of Arroll Limited, Belfast.



THE EDWARDIAN 4 COLUMN 960

#### RADIATOR DIMENSIONS

Leg section height:	960 mm
Middle section height:	898 mm
Section length:	60 mm
Radiator depth:	175 mm

#### INLET & EXIT

Bottom inlet to floor:	110 mm
Top inlet to floor:	912 mm
Pipe centres to skirting board:	87.5 mm

#### HEAT OUTPUT PER SECTION

Delta $\Delta T$ 50°C:	137 Watts / 467 BTUs
Delta $\Delta T$ 60°C:	172 Watts / 590 BTUs

#### RADIATOR WEIGHT

Empty weight per leg section:	8.4 KG
Empty weight per middle section:	7.4 KG
Filled weight per leg section:	9.9 KG
Filled weight per middle section:	8.9 KG

#### INTERNAL VOLUME

Leg section	1.5 L
Middle section	1.5 L

\*All measurements and sizes are approximate.

**Arroll**

RE-360/4 / RE-480/4 / RE-660/4 / RE-760/4 / RE-960/4 THE EDWARDIAN 360, 480, 660, 760 & 960