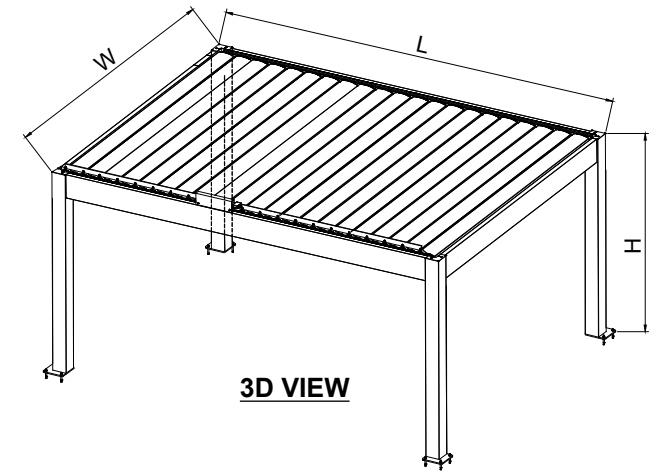


TOP VIEW

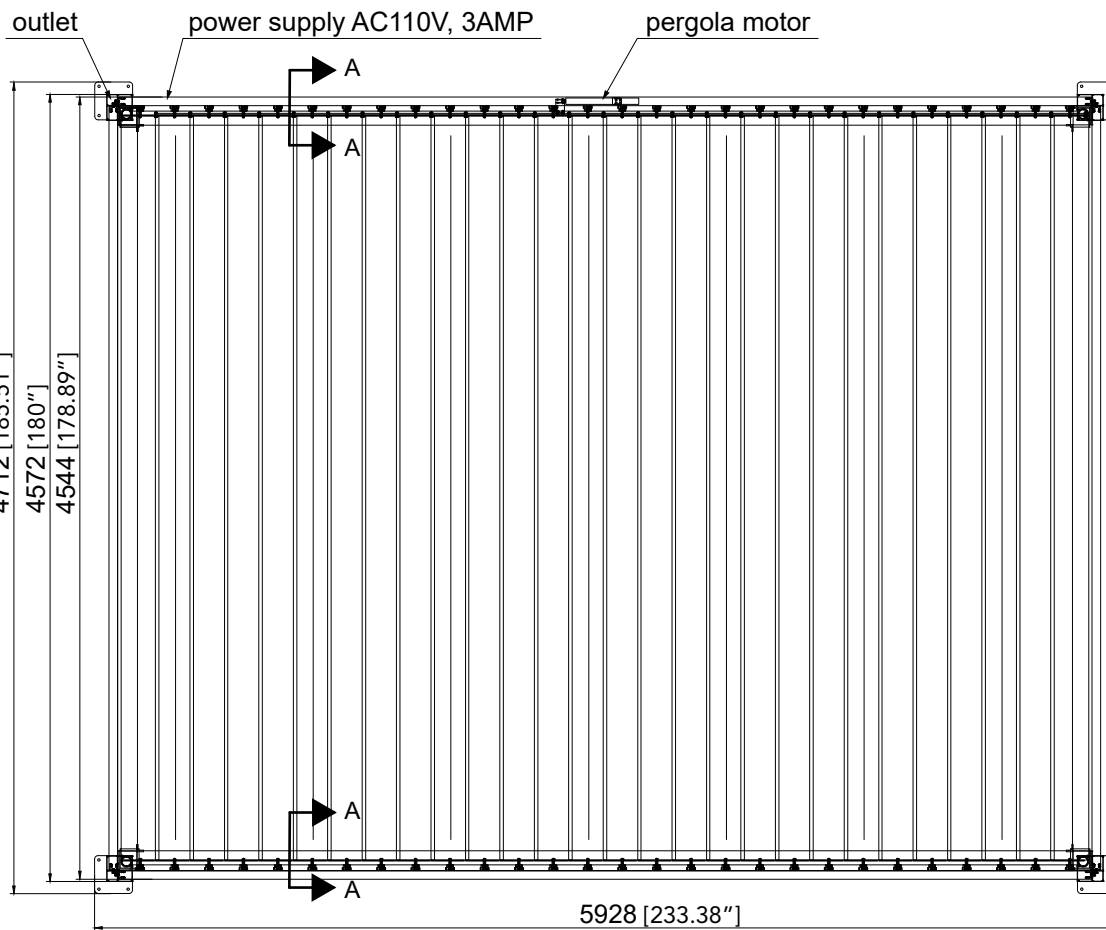


3D VIEW

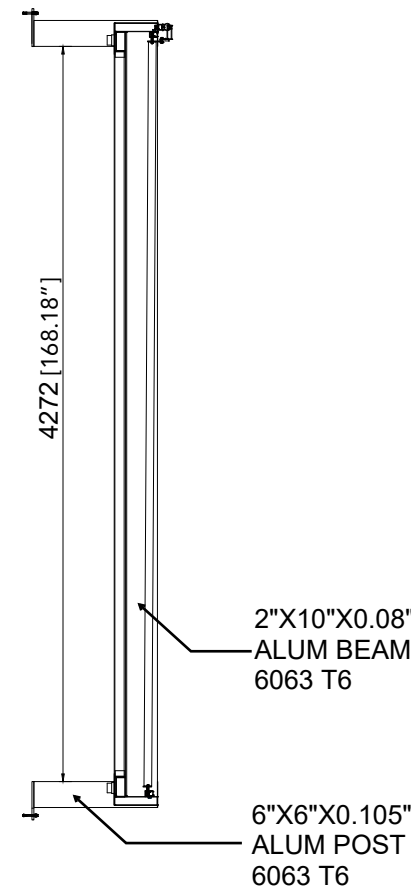
L = 5788[227.87"]

W = 4572[180"]

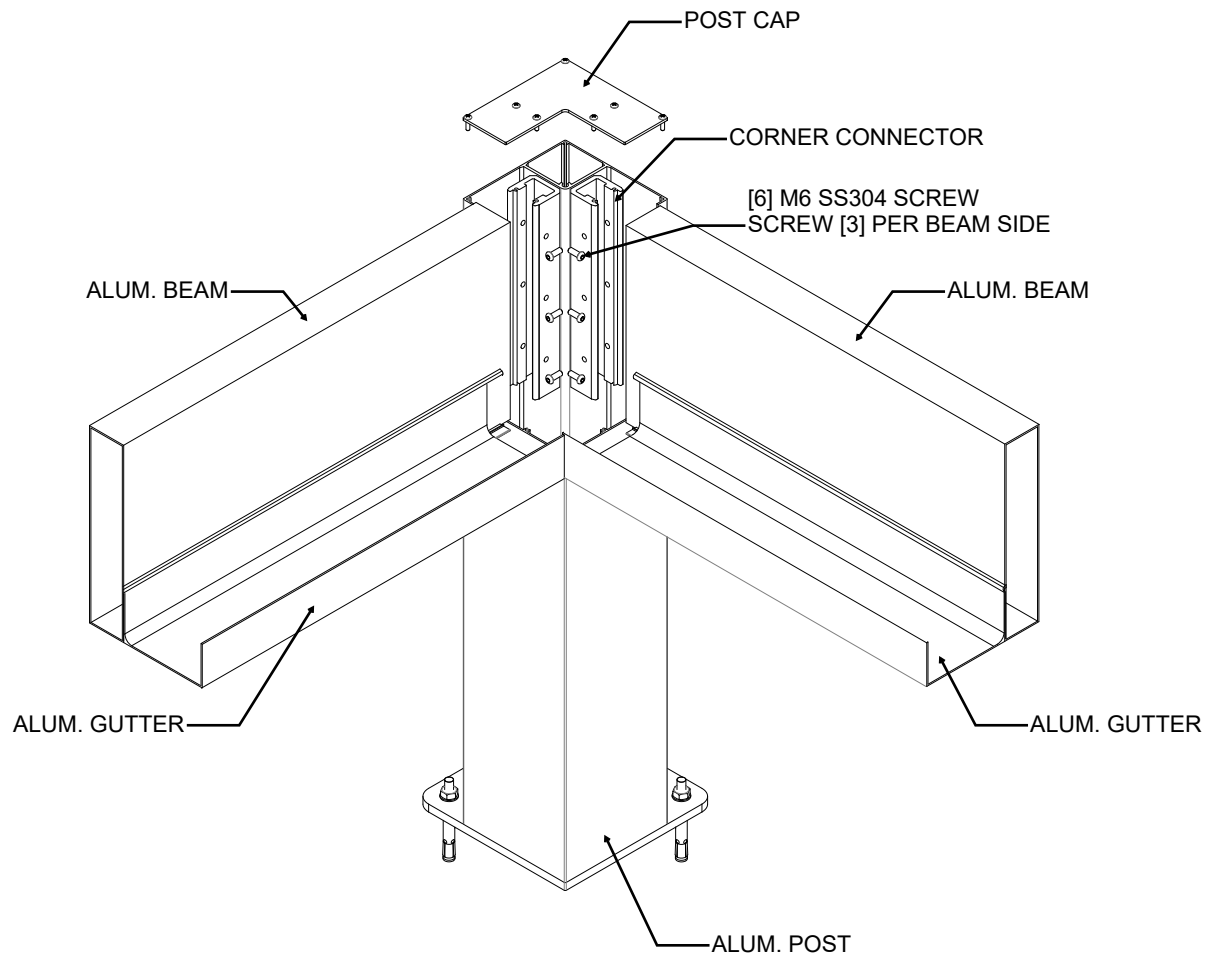
H = 2993[117.83"]



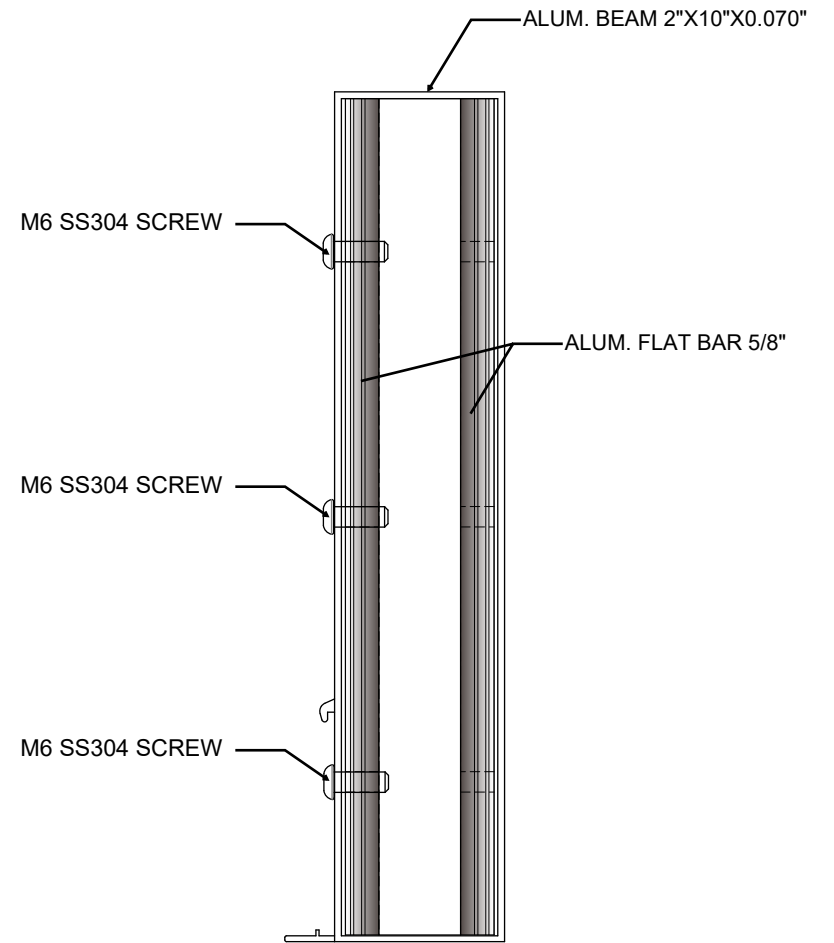
LATERAL VIEW 2



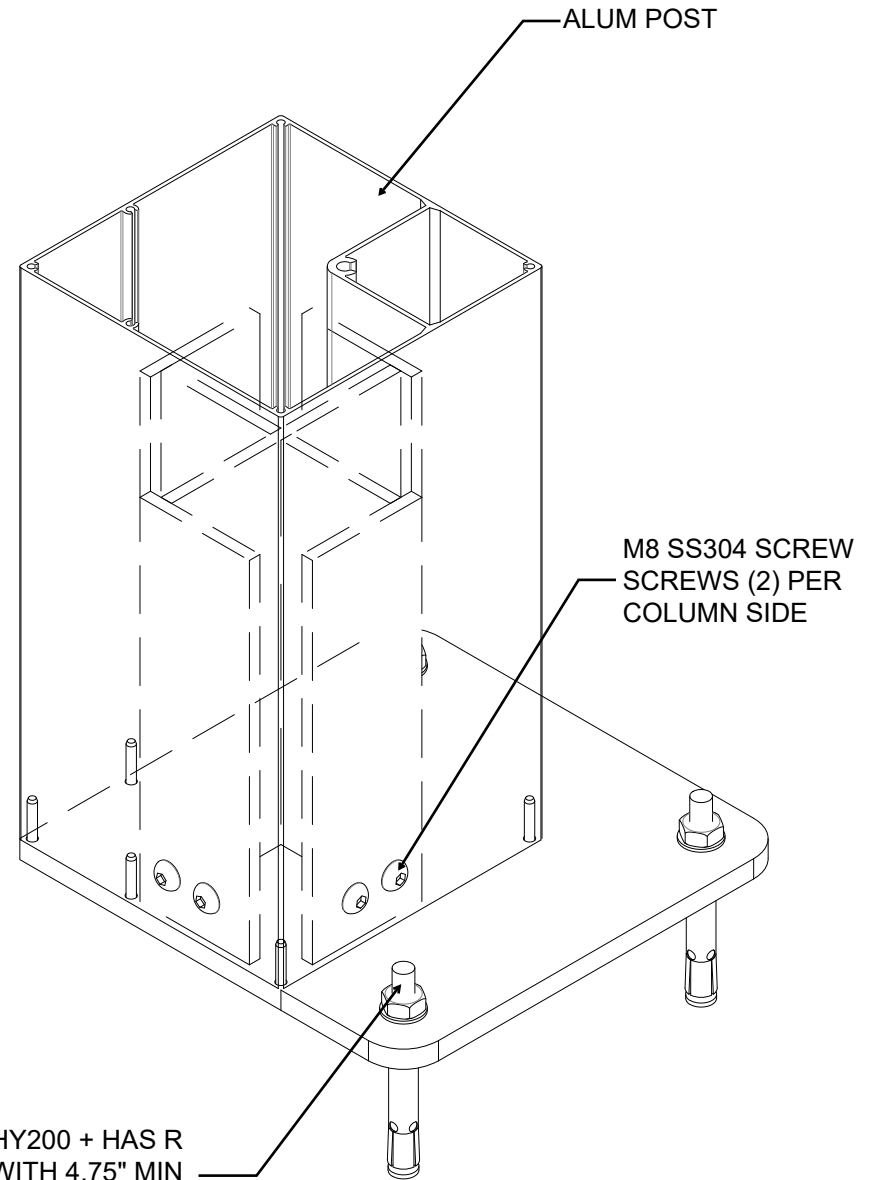
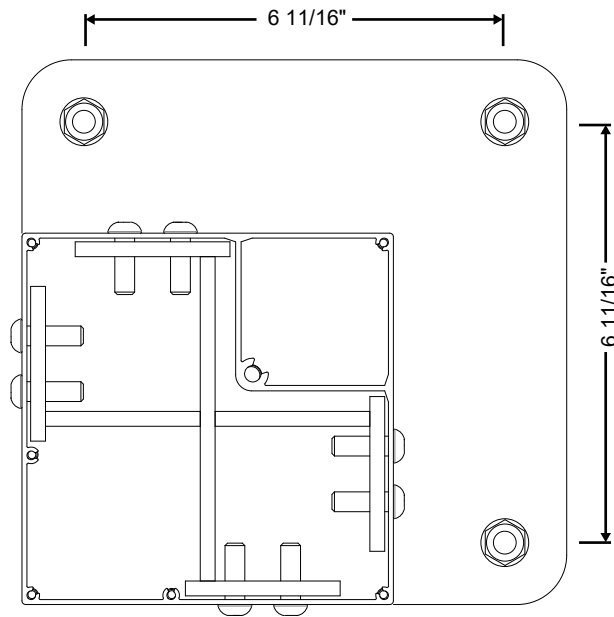
LATERAL VIEW 1



BEAM-POST CONNECTION



**SECTION A-A
LOUVER BEAM REINF. DETAIL**



(6) 3/8" HILTI HIT-HY200 + HAS R
304/316 ANCHOR WITH 4.75" MIN
EMBED INTO CONCRETE FOOTING
WITH 6" MIN EDGE DISTANCE

ALL EXTRUSIONS ALUMINUM 6063 T6

1	2	3	4	5	6	7	8	9	10	11	12	13	14	15	16	17	18	19	20	21	22	23	24	25	26	27	28	
	■				■				■				■				■				■				■			

7 light strips in total

Blade	Blade	Gutter	Beam	Column	Footing Plate

EXTRUSIONS