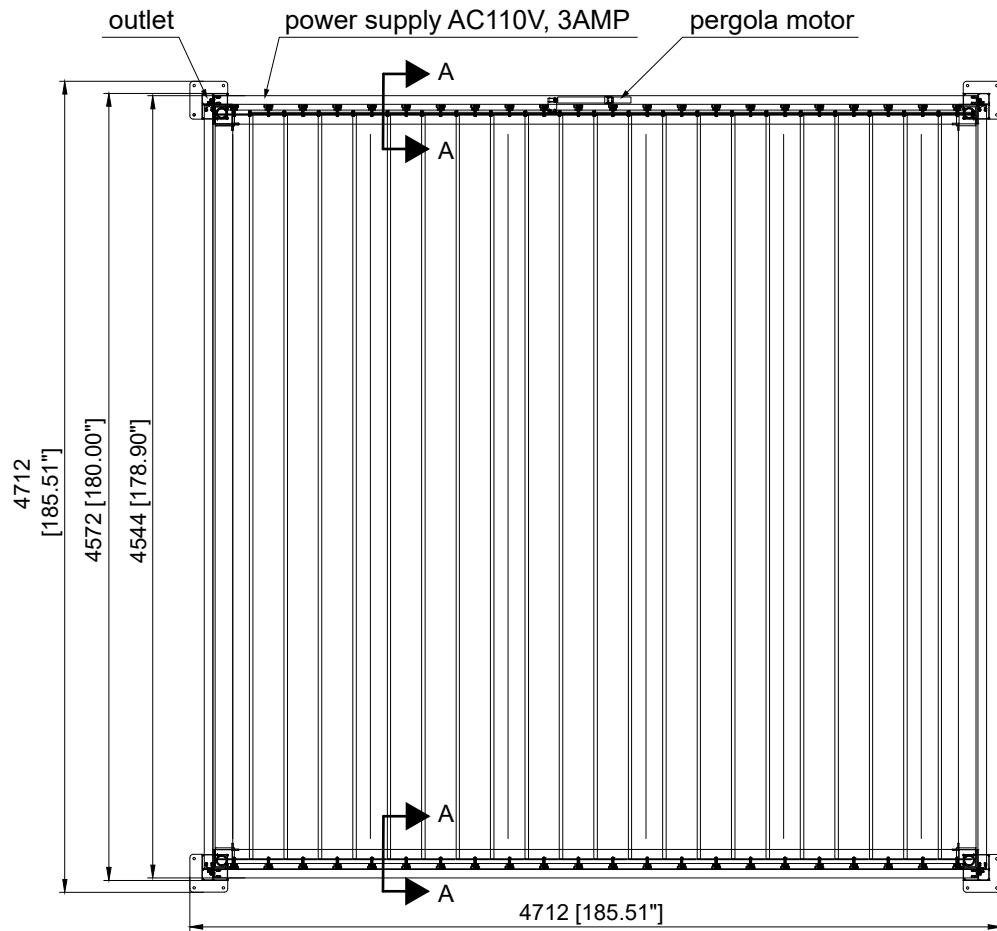


**TOP VIEW**

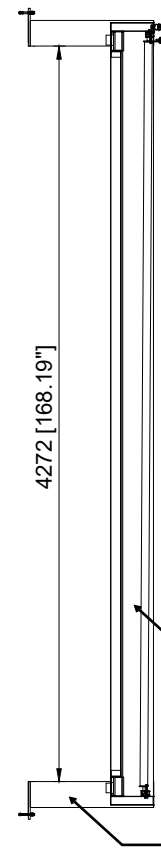
P = 4572[180"]

S = 4572[180"]

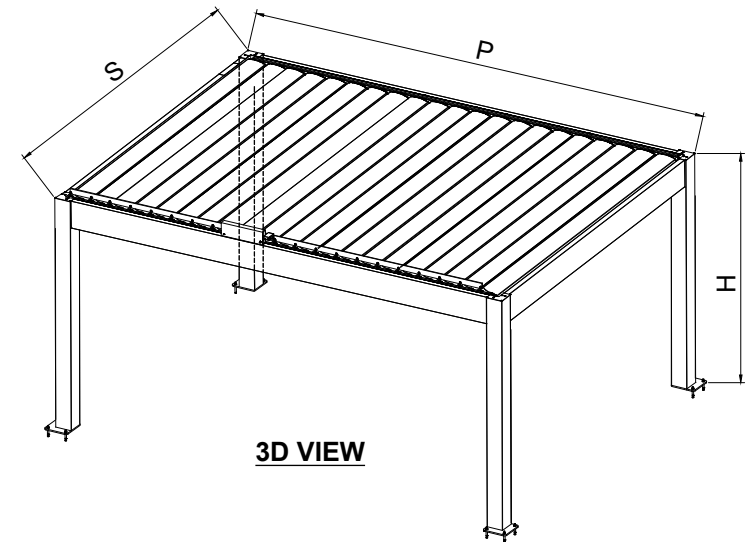
H = 2993[117.83"]



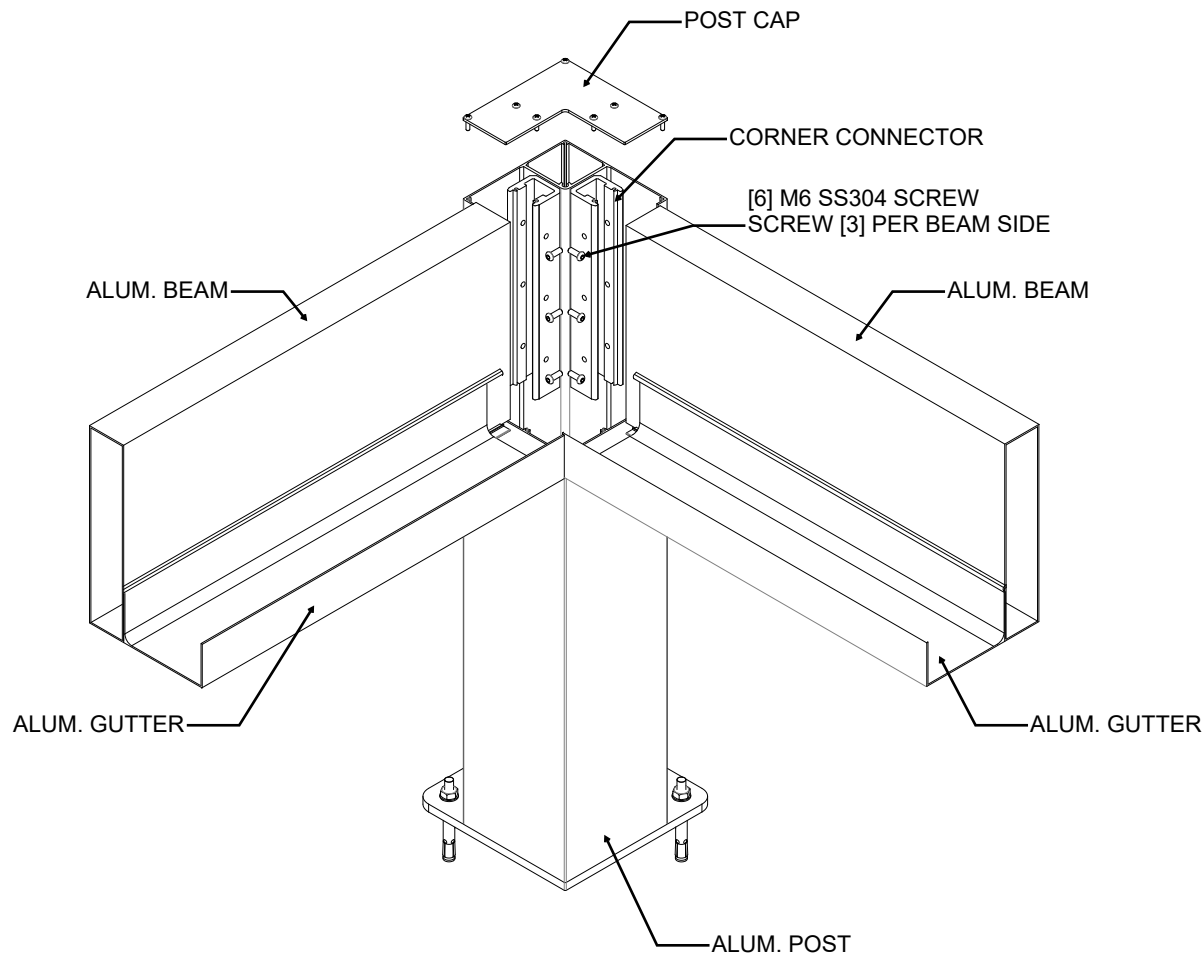
**LATERAL VIEW 2**



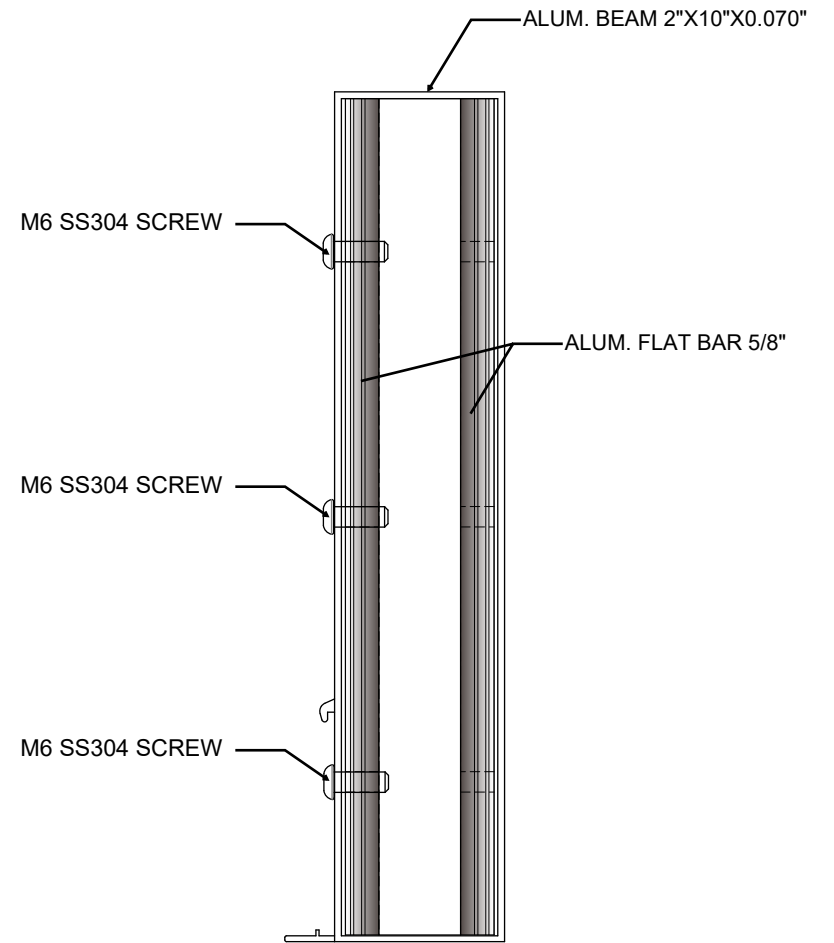
**LATERAL VIEW 1**



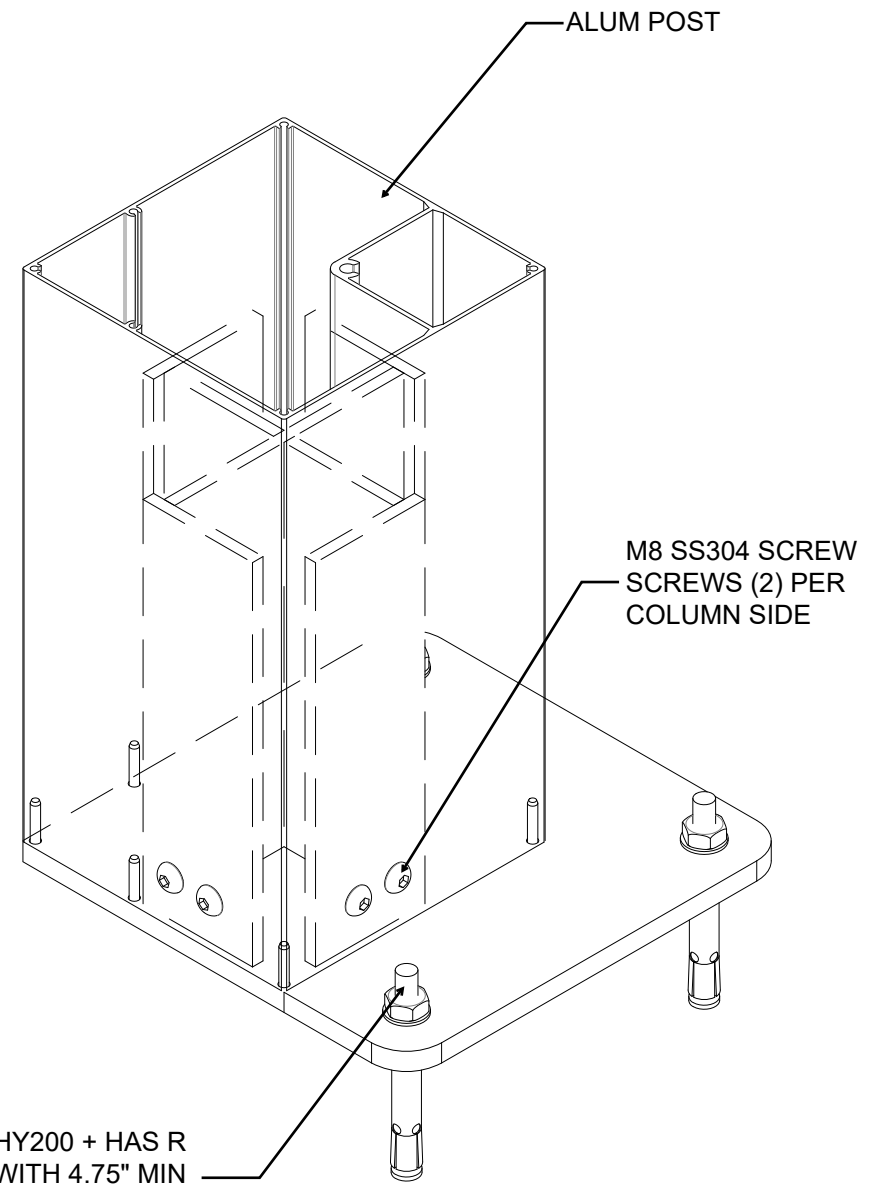
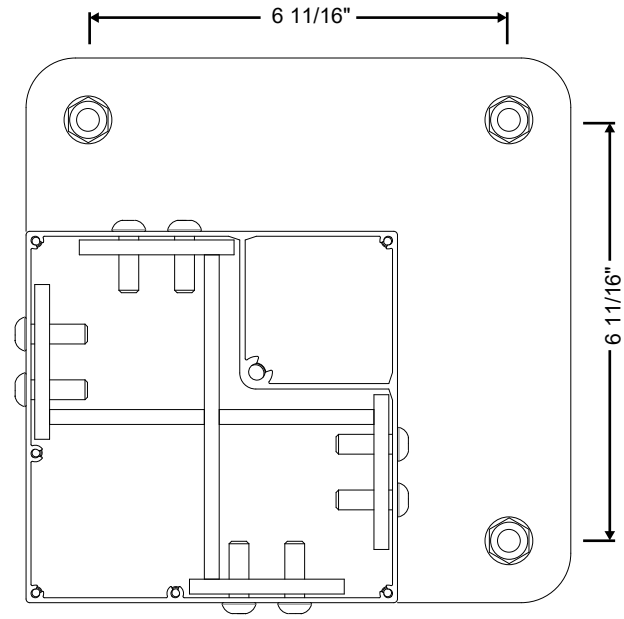
**3D VIEW**



**BEAM-POST CONNECTION**



**SECTION A-A  
LOUVER BEAM REINF. DETAIL**



ALUM POST

M8 SS304 SCREW  
SCREWS (2) PER  
COLUMN SIDE

(6) 3/8" HILTI HIT-HY200 + HAS R  
304/316 ANCHOR WITH 4.75" MIN  
EMBED INTO CONCRETE FOOTING  
WITH 6" MIN EDGE DISTANCE

ALL EXTRUSIONS ALUMINUM 6063 T6

1	2	3	4	5	6	7	8	9	10	11	12	13	14	15	16	17	18	19	20	21	22	
	■				■				■				■				■				■	

6 light strips in total

Blade	Blade	Gutter	Beam	Column	Footing Plate

EXTRUSIONS