

Actual Size: 32" x 60" x 42" • (81 cm x 152 cm x 107 cm)

Seat Width: 19" & 22" • (48 cm & 56 cm)

Shipping Size: 34" x 62" x 50" • (86 cm x 157 cm x 127 cm)

Net Weight: 230lbs. • (104 kg)

Shipping Weight: 325 lbs. • (147 kg)

Unoccupied Water Capacity: 100 gal. • (379 L)

Occupied Water Capacity: 65-85 gal. • (246 - 322 L)

Drainage Time: +/- 120 seconds at ideal plumbing conditions (unoccupied)

Included Features:

1. Acrylic Tub Shell
 - Gloss white finish
 - Fiberglass gelcoat reinforced
2. Stainless steel frame with adjustable leveling Legs.
3. Plastic composite tempered glass U-shape outward swing door with a 3 latch gear and shaft door mechanism.
4. Two (2) 2 inch PVC drains with 2 end caps included. Each drain has two (2) 2 inch outlets, one overflow and a stainless steel operated opener with an extended handle in a chrome finish.
5. Two (2) front and one (1) end reversible removable access panel .
6. Ella 2pc Fast-Fill Faucet with an retractable pull-out hand shower.

Jetting & Therapy Options:

1. Air + Hydro + Hydro/Foot Massage + Microbubble (Multicolor LED Light Included)
2. Air + Hydro + Hydro/Foot Massage (Multicolor LED Light Included)



Jetting Options

Faucet Options

Hydro Massage

- Hydro Massage Pump 5AMP 600W *
- Hydro Massage Intensity Dial Control
- Ozone Sterilization 1AMP
- 26 jets
- On/Off Push Control
- In-line Water Heater 5.5AMP 650W *

Hydro + Hydro Foot Massage

- 2 Hydro Massage Pumps 2x 5AMP 600W*
- 2 Hydro Massage Intensity Dial Controls
- Ozone Sterilization 1AMP
- 26 jets
- On/Off push control
- In-Line Water Heater 5.5AMP 650W *

Two-Piece Fast Fill Faucet

- Up 10 16 GPM @ 60 PSI an ideal in-home plumbing conditions
- Two 5' water supply lines with 3/4" connectors
- Pull out, hand held, chrome plated hand shower with a 5' ft. retractable stainless steel braided hose

Air Massage

- Air Massage Pump 4.5AMP 486W *
- 3 Speed Pump
- Auto-purge (Activates 20 minutes after pump shutdown)
- 18 jets
- On/Off push control

Microbubble Therapy

- Air Pressure Pump 10AMP 1200W *
- Pressure Tank
- On/Off push control



Optional Features

1. Heated Seat and Backrest 4AMP 470W
2. Digital Controller

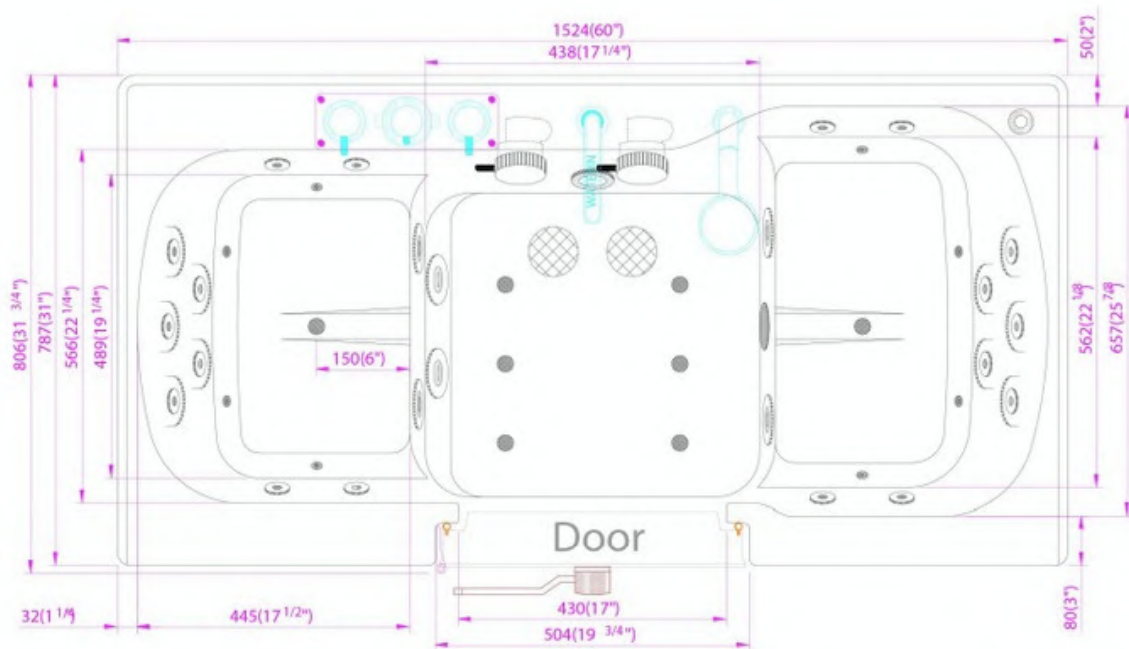
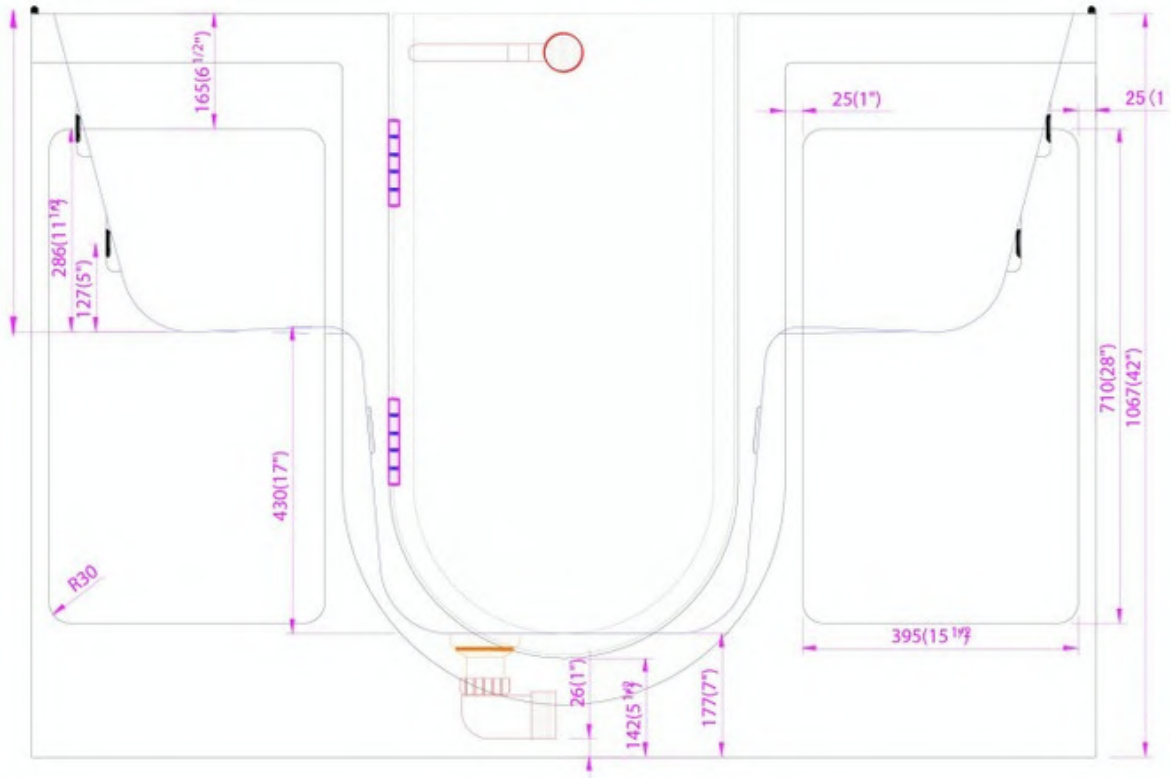
Electrical Requirements

Dedicated GFCI protected electrical line(s) required

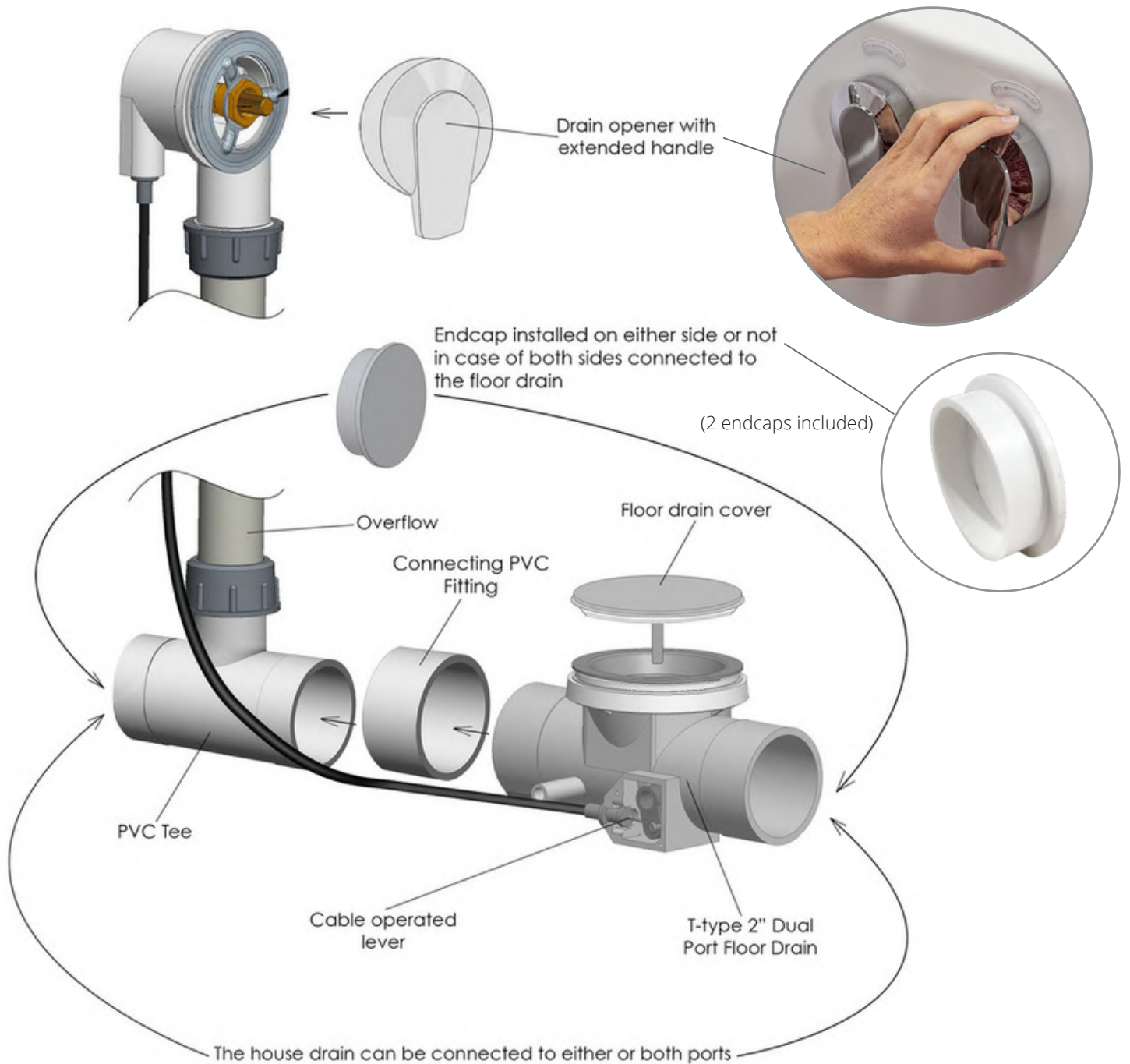
Warranty

- Lifetime limited* warranty on shell, frame, door, and parts to original purchaser/Address
- Labor or installation is not covered - please refer to the Ella warranty certificate
- Non Ella brand faucets covered under manufacturers original warranty

Disclaimer*: AMP value for each pump may change based on availability. Please verify before purchase. (800.480.6850)



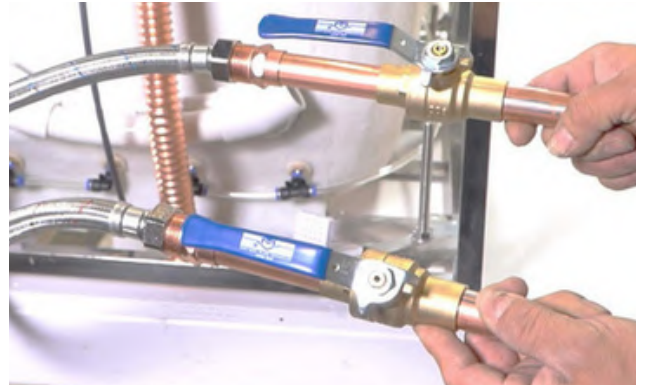
Dual Drain Technology - Two 2 Inch Independent Floor Drains



Two 3/4" connector water supply lines included with Ella Fast Fill Faucets



Connect to Shut Off Valves (not included)



All electrical fixtures connect to a dedicated GFCI protected outlet.



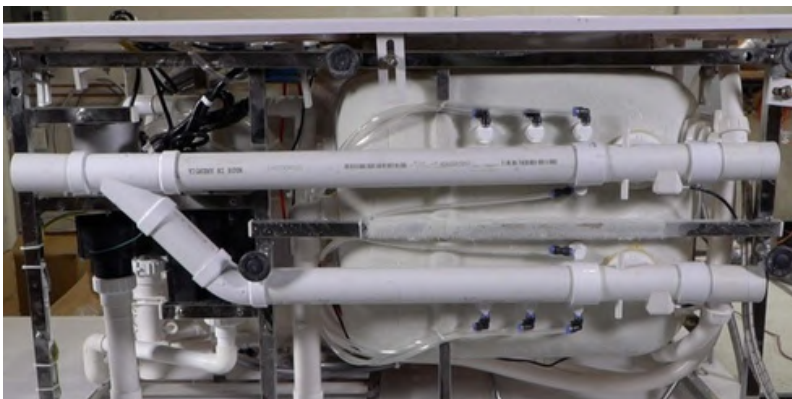
Drain Cap

Use a drain cap to close unused drain port.



T-Type four (4) 2" drain ports allow for the drain pipe to be installed in either direction.

Images below show examples of PVC pipe connections (not included). Reducers can be used to connect smaller drain pipes.





Ella 2 Piece Single Lever Fast-Fill Faucet

Description

Solid brass spout chrome finish single lever high flow bathtub faucet with diverter button Two (2) 3/4" 5' braided stainless-steel supply lines Pull out hand shower mixer with 5 settings and 5' braided hose in a Chrome or Brushed Nickel finish.

Flow

- Hand shower is limited to 1.9 GPM (7.5L/min)
- Faucet fill rate designed for 18 GPM (68.1L/min)

Cartridge

- 40mm high flow cartridge design
- Nonmetallic/nonferrous and stainless-steel material

Standards

- Third party certified to meet: CSA B125.1, ASMEA112.18.1, ICC117.1 and all applicable requirements referenced therein
- Certified to ANSI/NSF 61/9
- ADA for lever/handle
- IAPMO R&T UPC certified

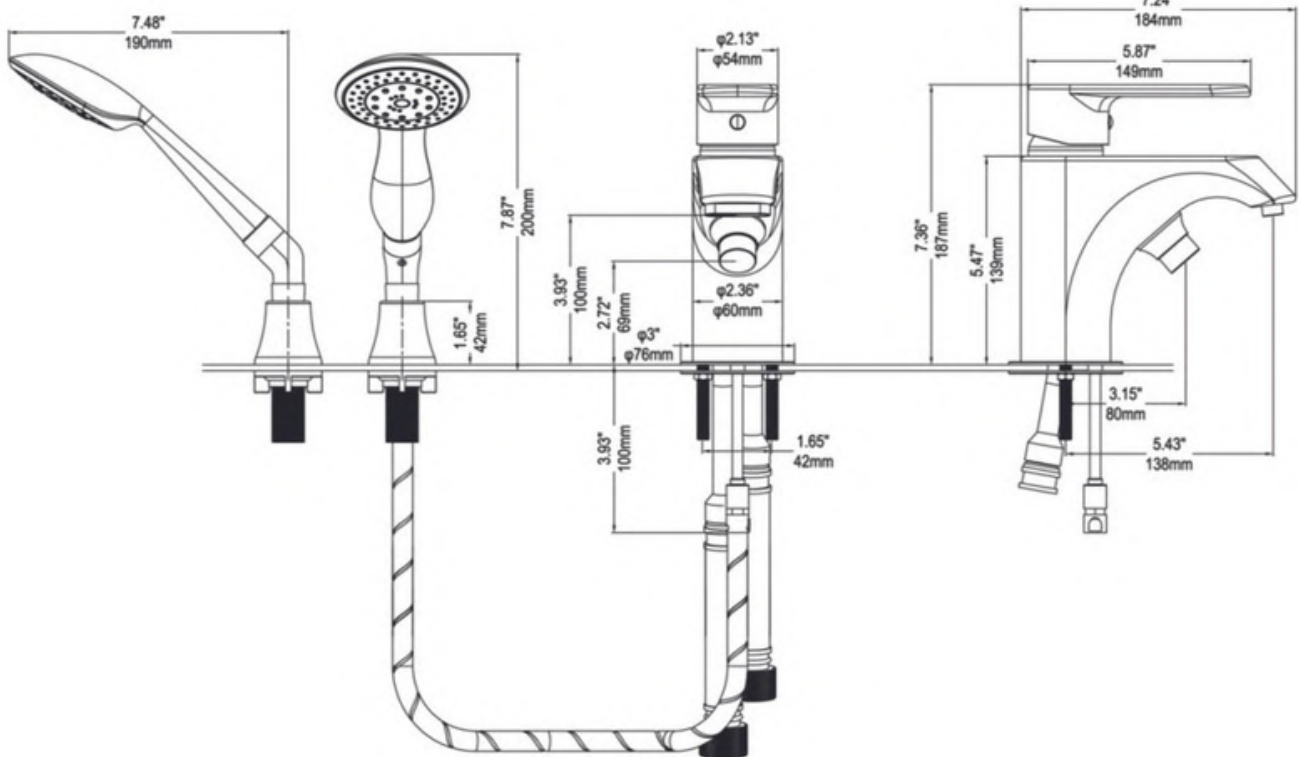
NOTE: This faucet is designed to be installed through: 2-1/2" diameter hole for faucet, 1/3" diameter hole for mounting rods, and a 7/8" diagonal hole for the hand shower.

Hold and Cold ON/OFF Lever

Brushed Nickel Finish

Spout

Chrome Finish



Replacing A Valve Cartridge

Step-by-step Instructions to replace a valve cartridge for Ella 2-piece faucets.

Step.1 Remove the Hot/Cold screw hole cover.



Step.2 Use an Allen wrench to remove the handle Screw.



Step.3 Take out the handle and remove the brass escutcheon



Step.4 Use a wrench to unscrew the pressure cap.



Step.5 Remove the cartridge and replace it with new piece.

