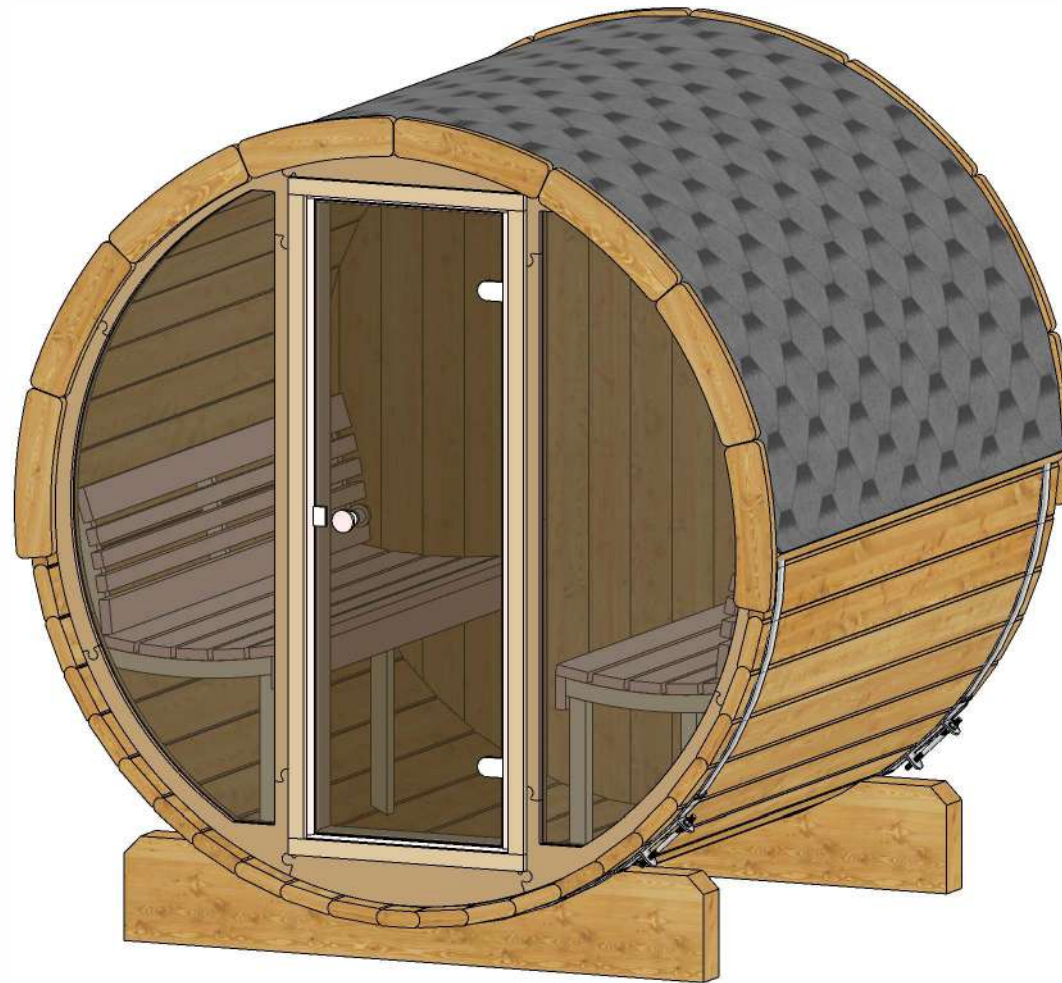




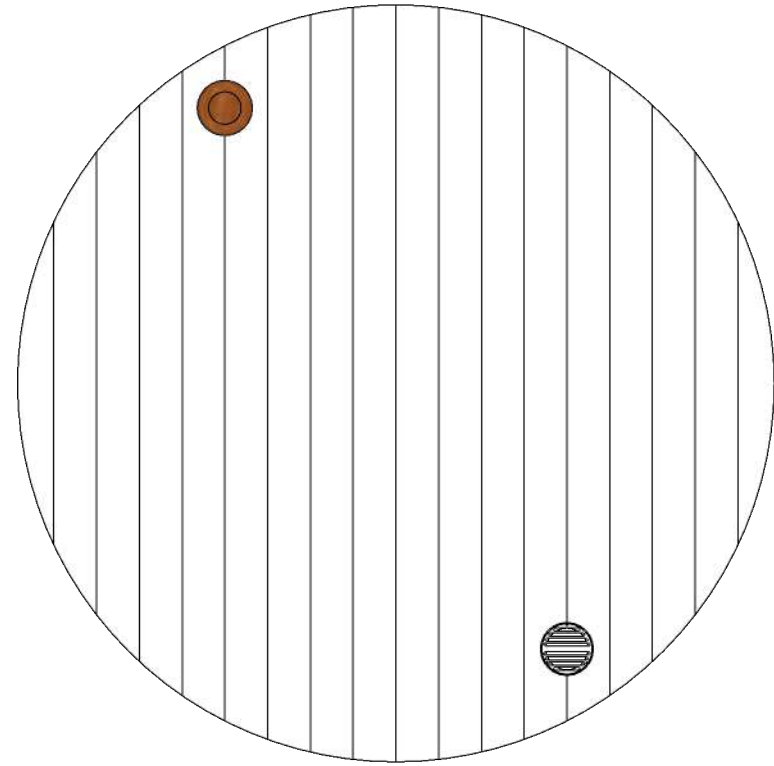
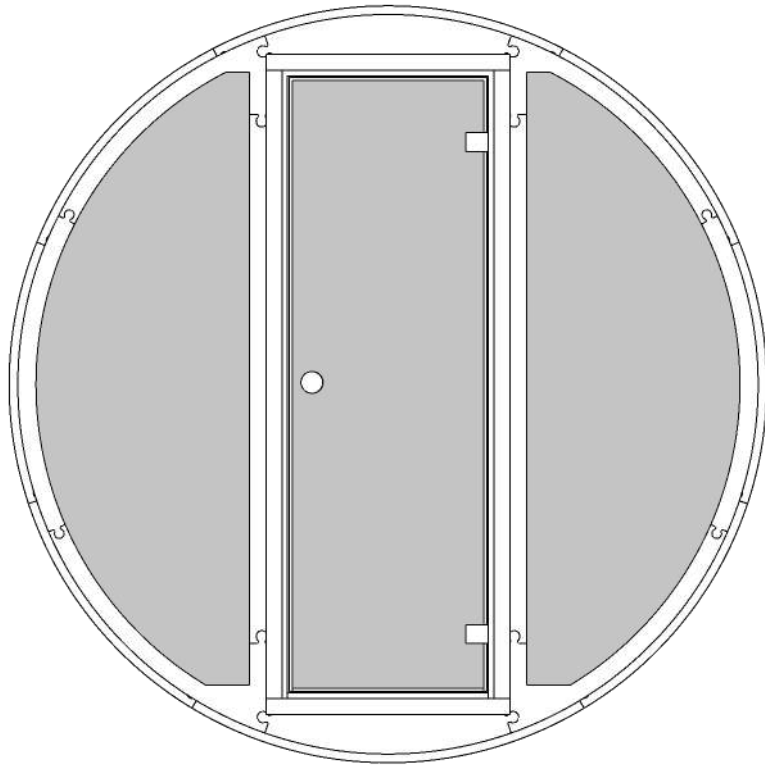
Ergo-Series E8G Barrel Sauna  
Full Glass Front 87D" x 81H"



**Note: Please read manual before construction**

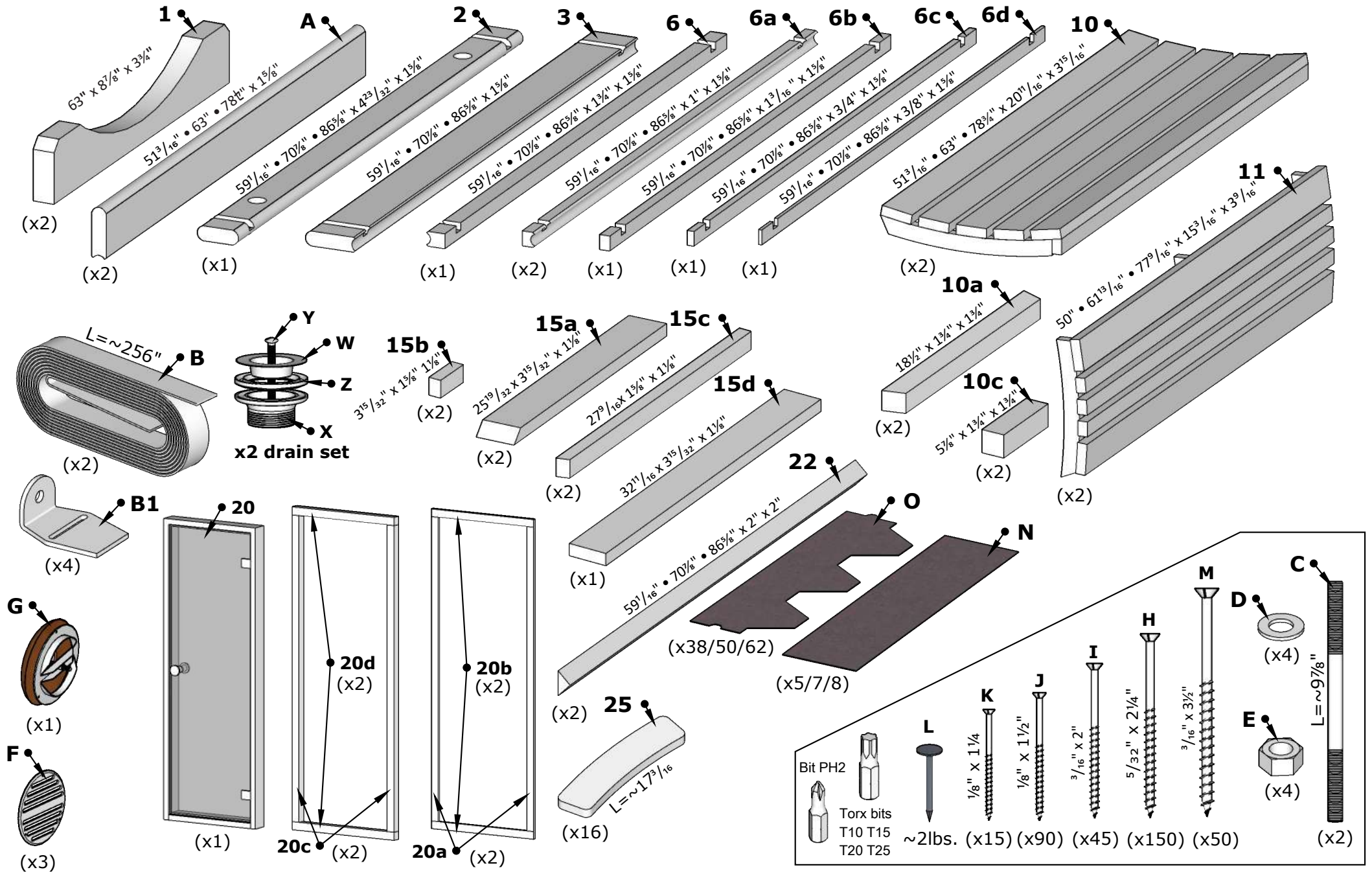
Rev 4/2023

# Front & Back Walls

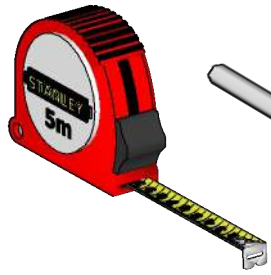


# E8G Barrel Sauna 87D" x 81H"

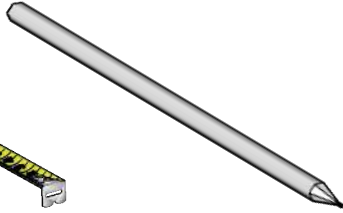
## Details list.



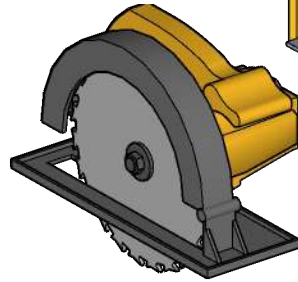
## Tools needed



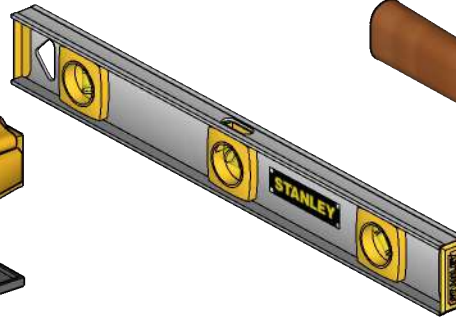
Measuring tape



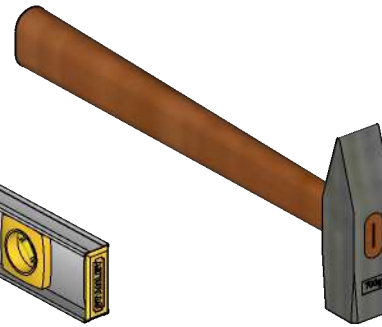
Marker pen



Circular saw



Water level



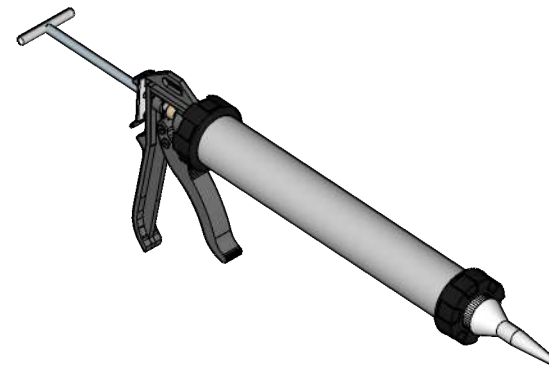
Hammer



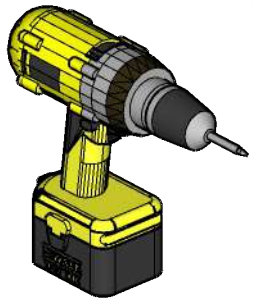
Extra hands



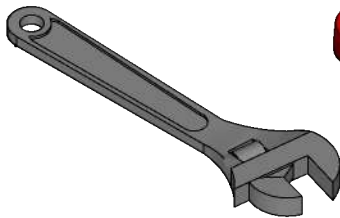
Ratchet strap



Silicone gun  
(Only glass-wall models)



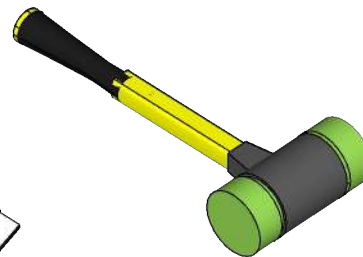
Drill



Crescent wrench

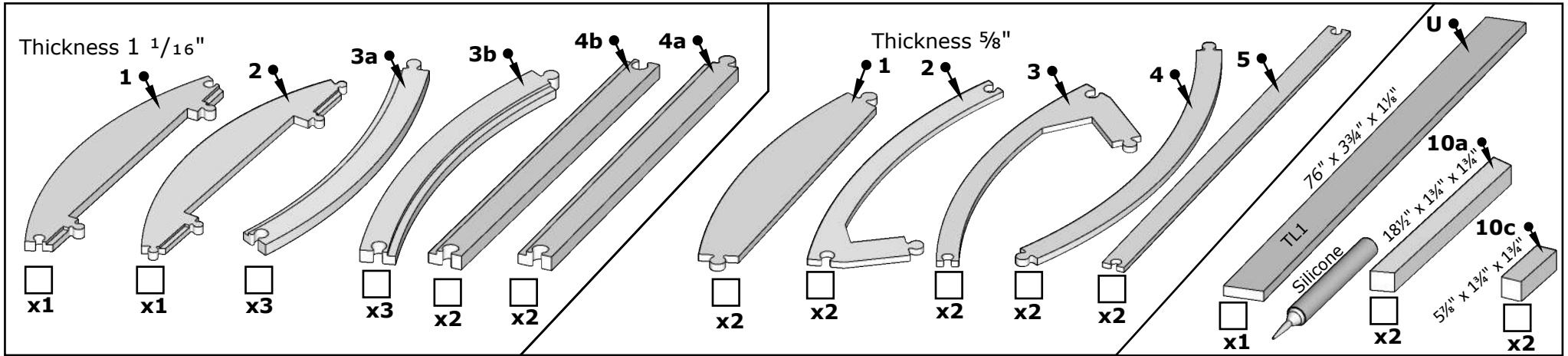


Utility knife

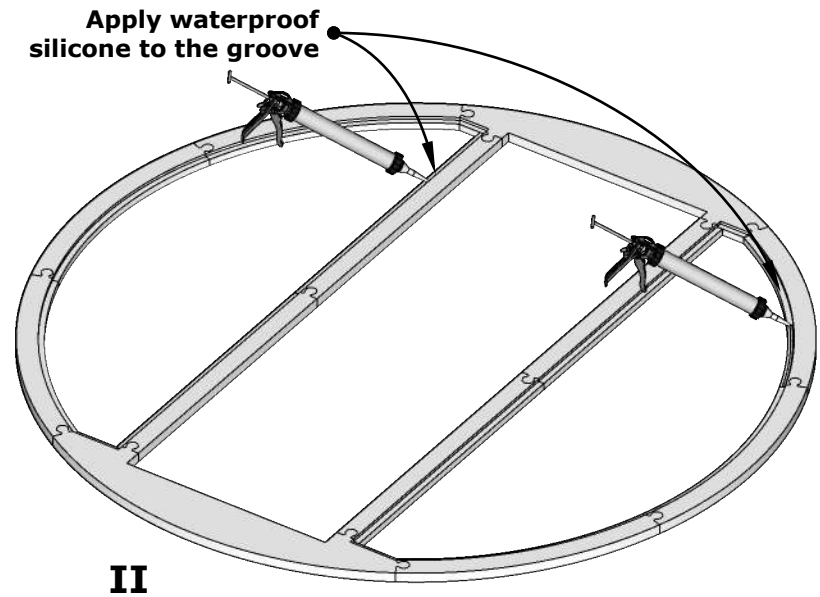
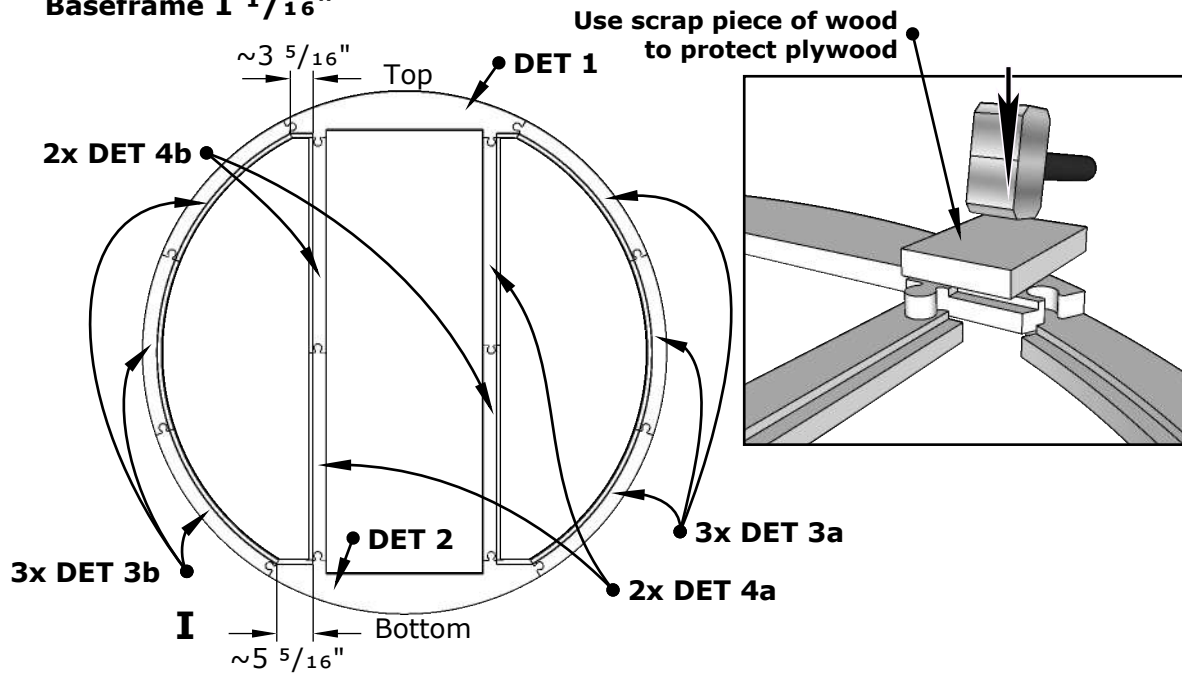


Rubber mallet

# Front glass wall installation

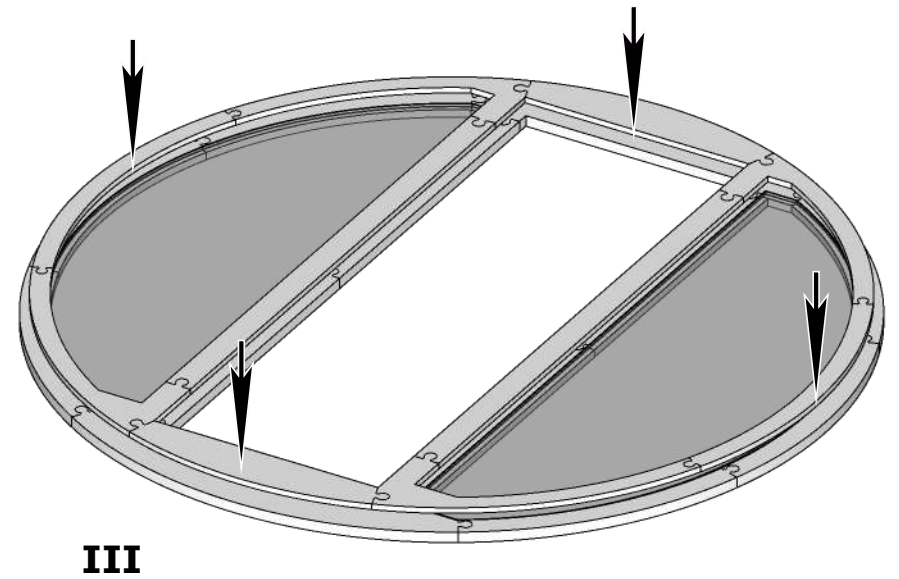
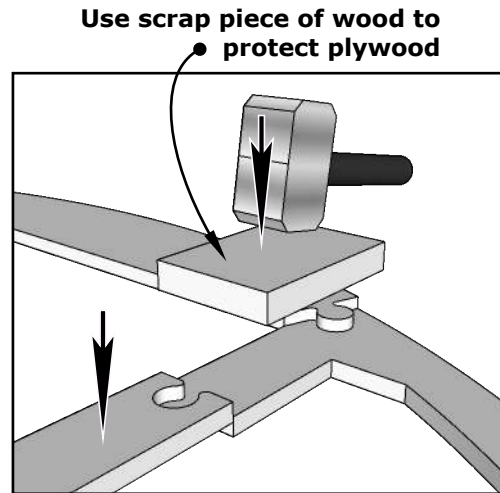
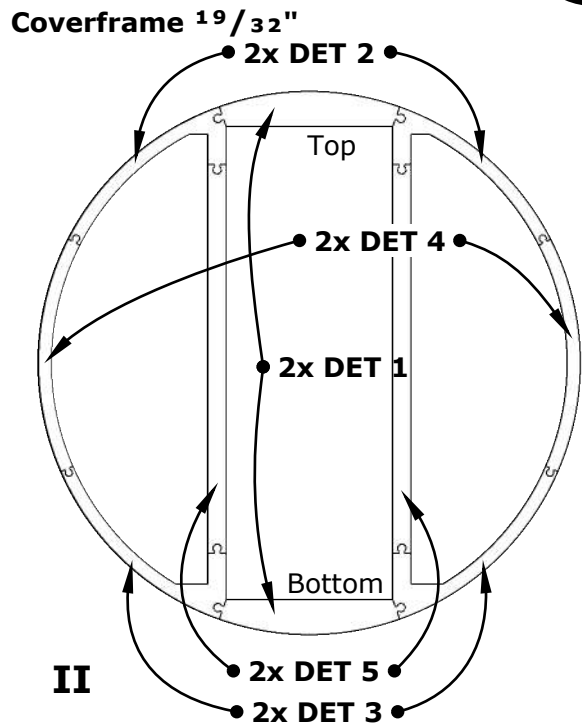
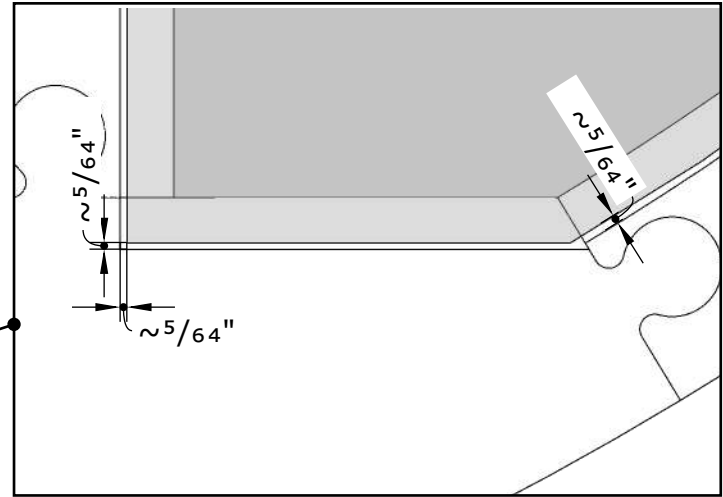
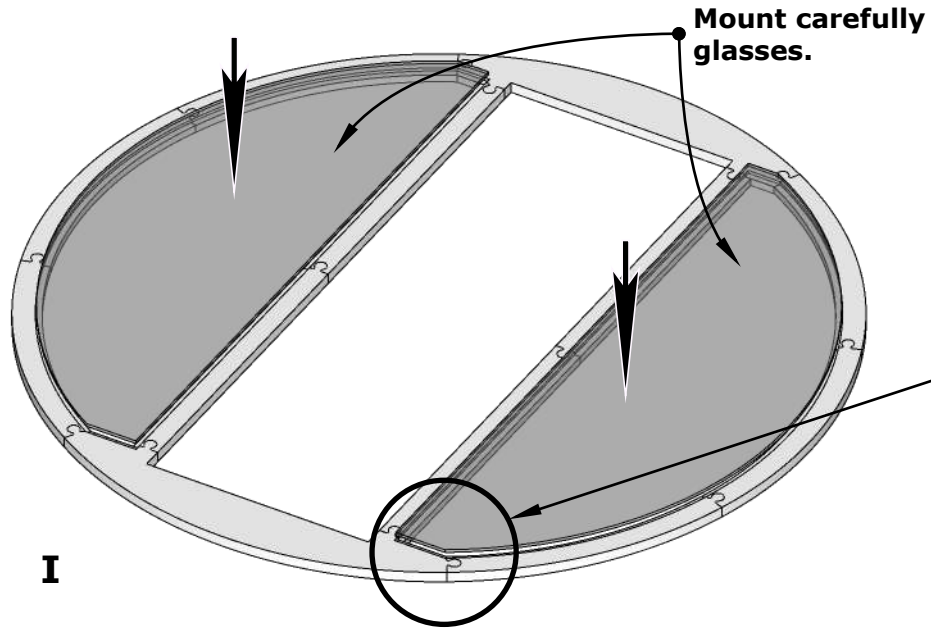


## Baseframe $1 \frac{1}{16}$ "

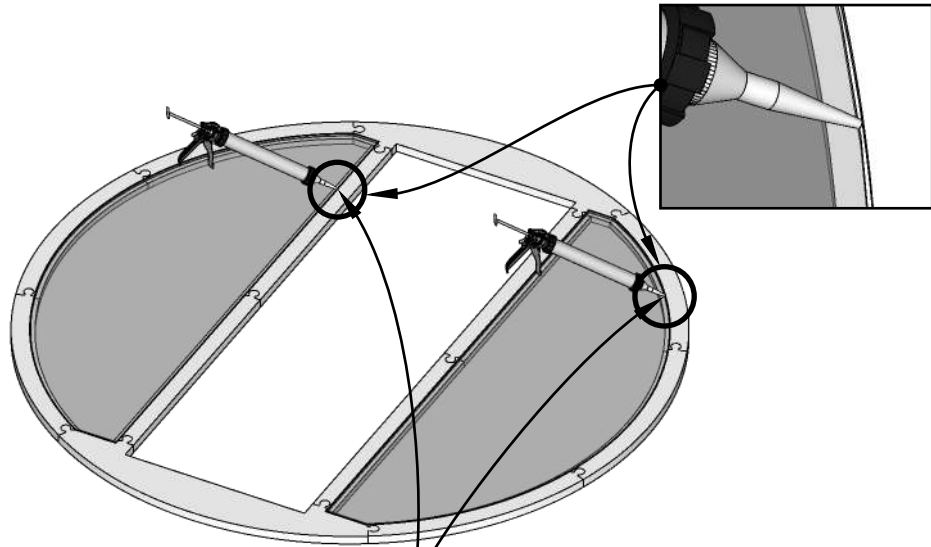


1.

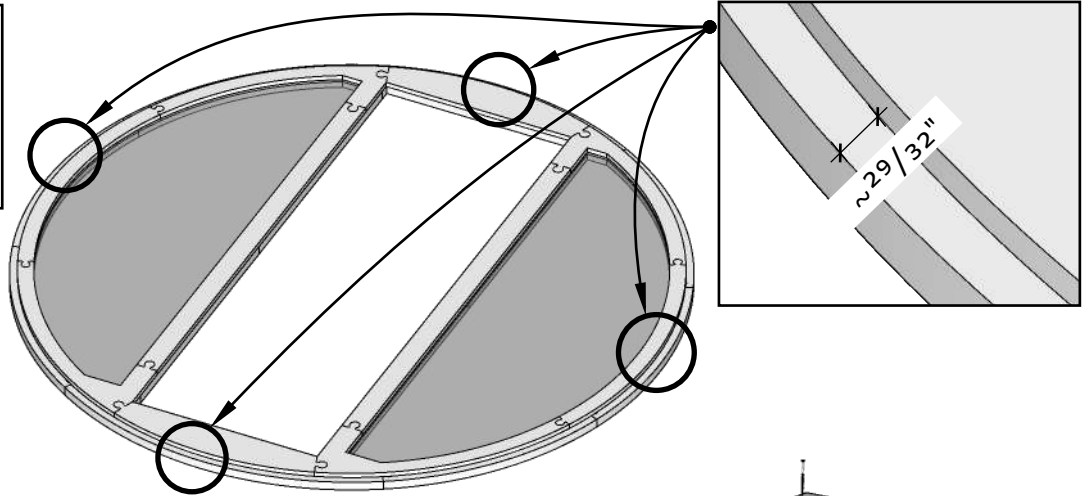
# Front glass wall installation



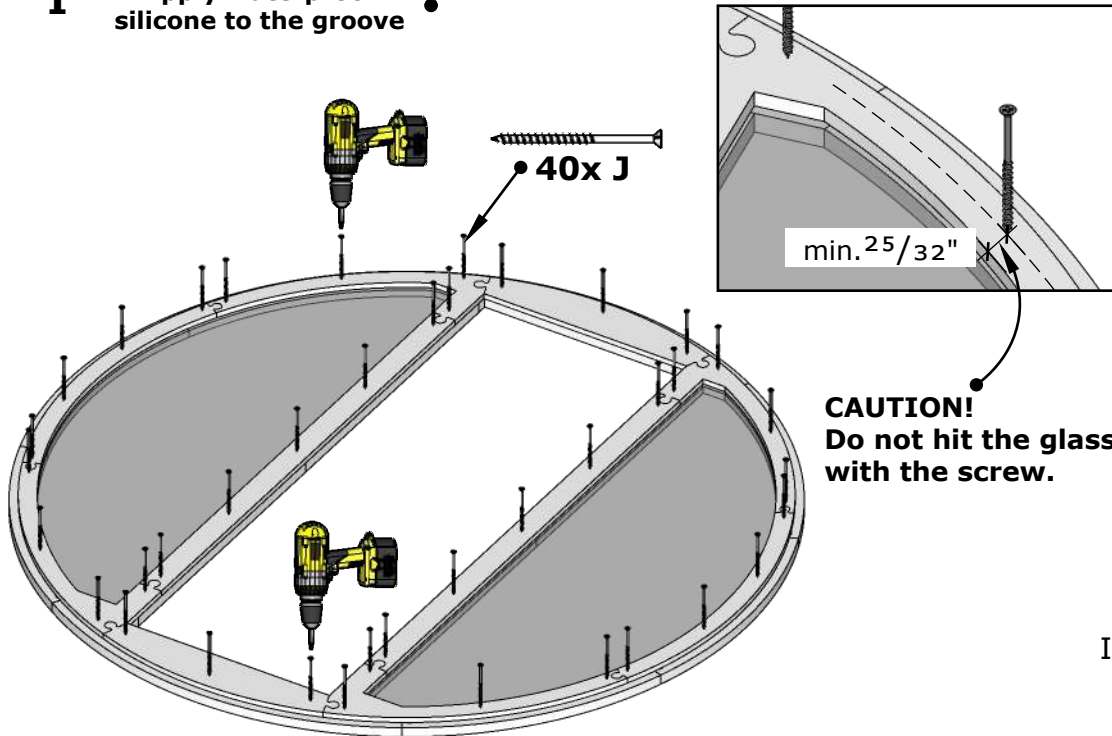
# Front glass wall installation



**I** Apply waterproof silicone to the groove

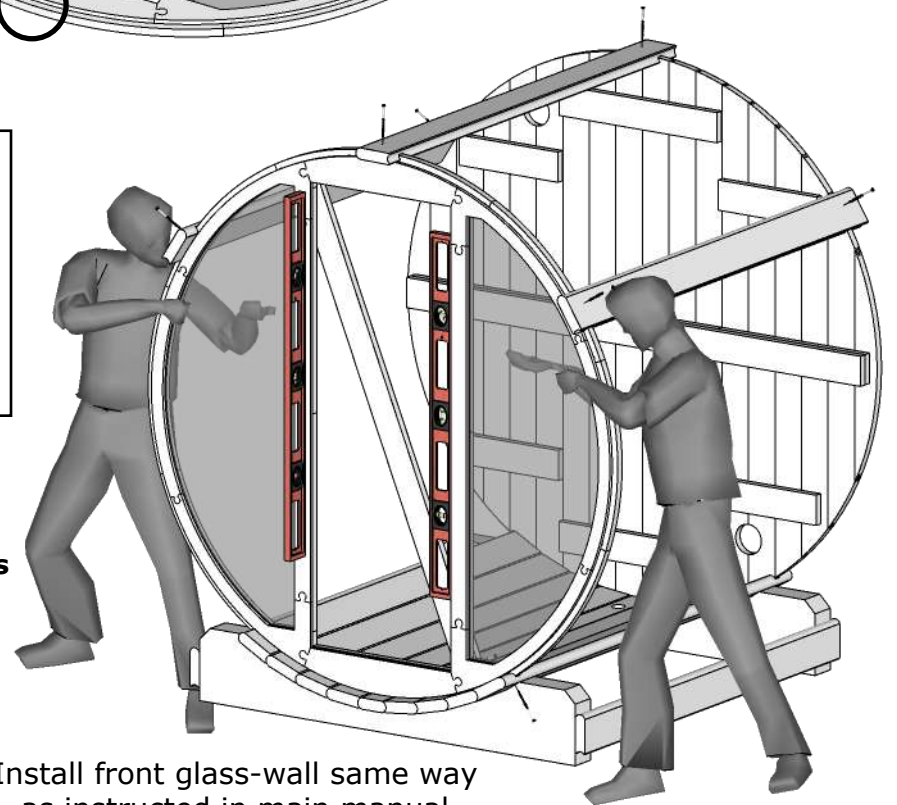


**II**



**CAUTION!**  
Do not hit the glass with the screw.

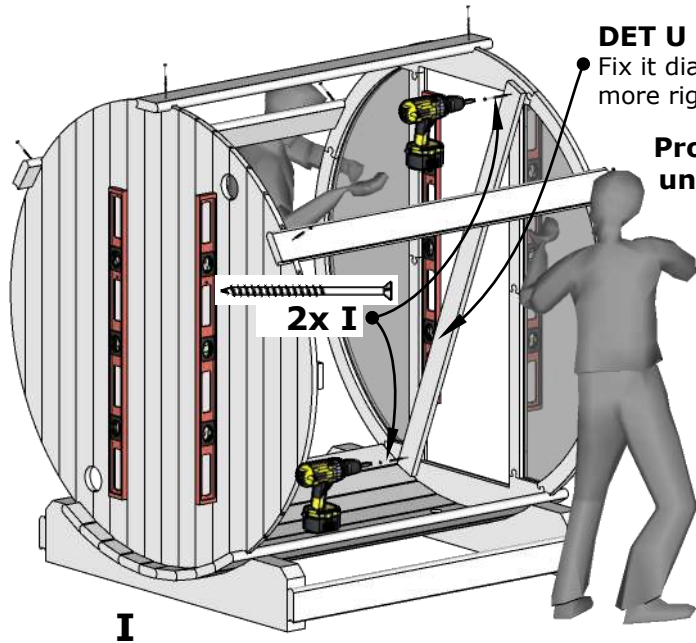
**III**



Install front glass-wall same way as instructed in main manual.

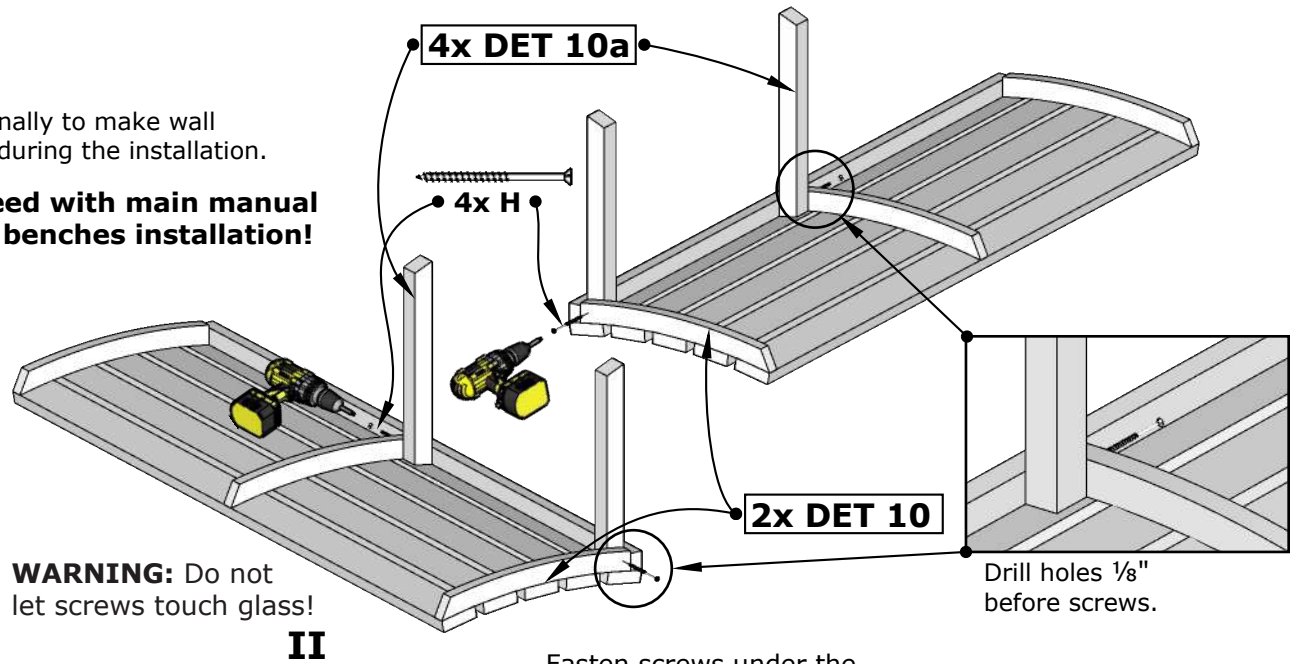
**IV**

# Front glass wall installation

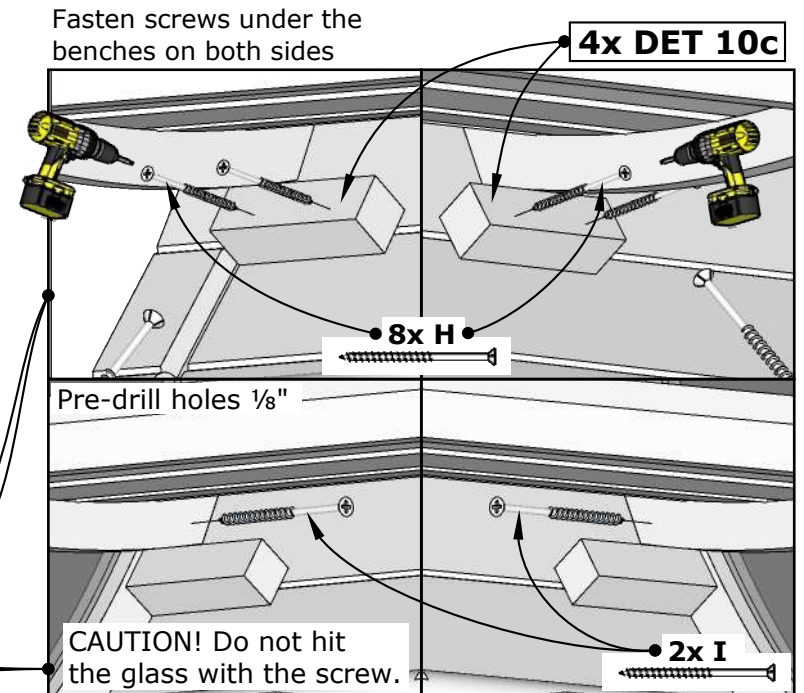
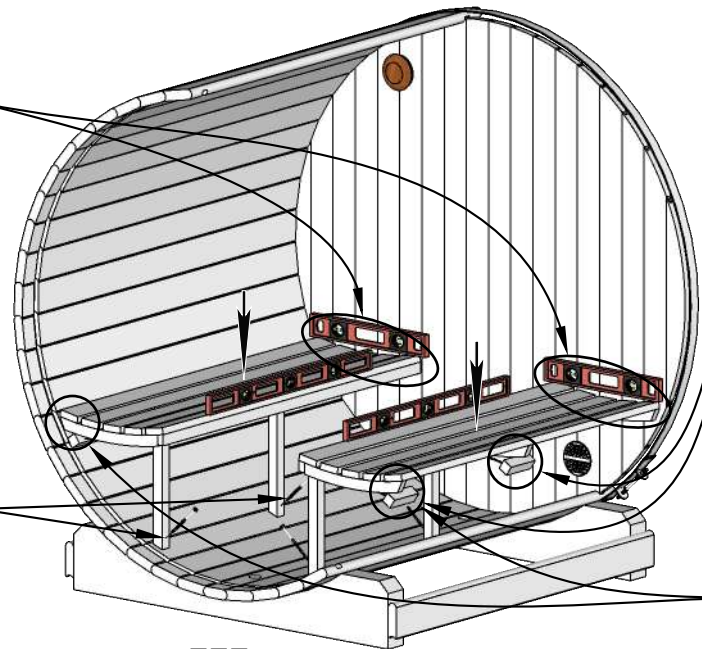
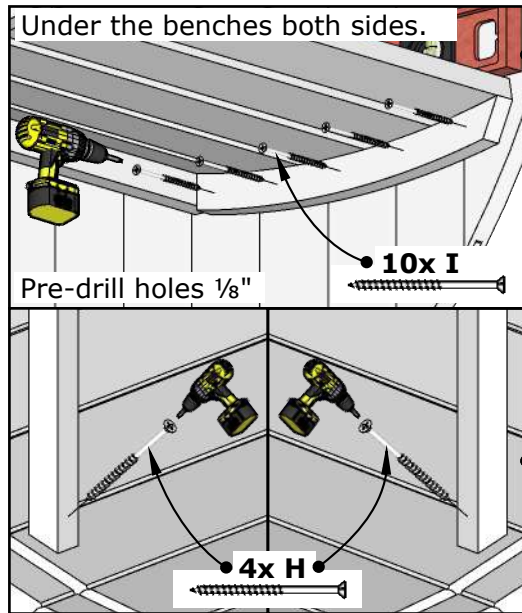


**DET U**  
 Fix it diagonally to make wall more rigid during the installation.

**Proceed with main manual until benches installation!**

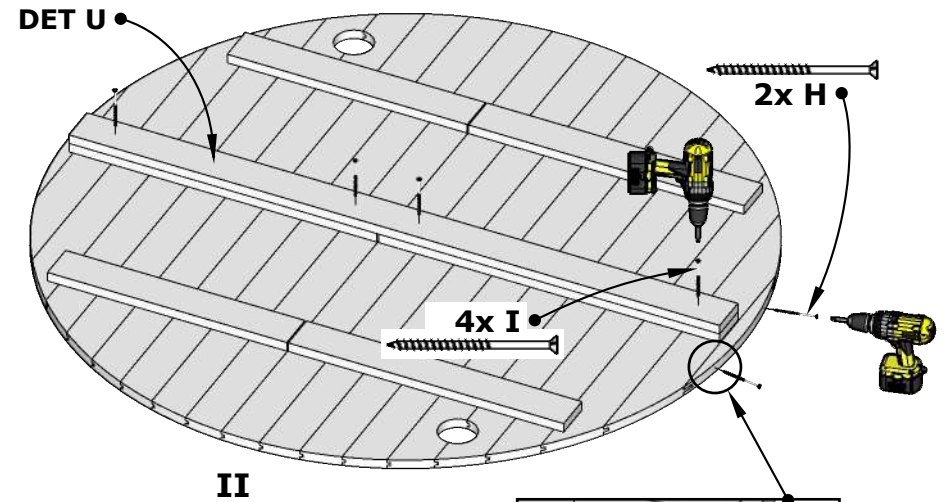
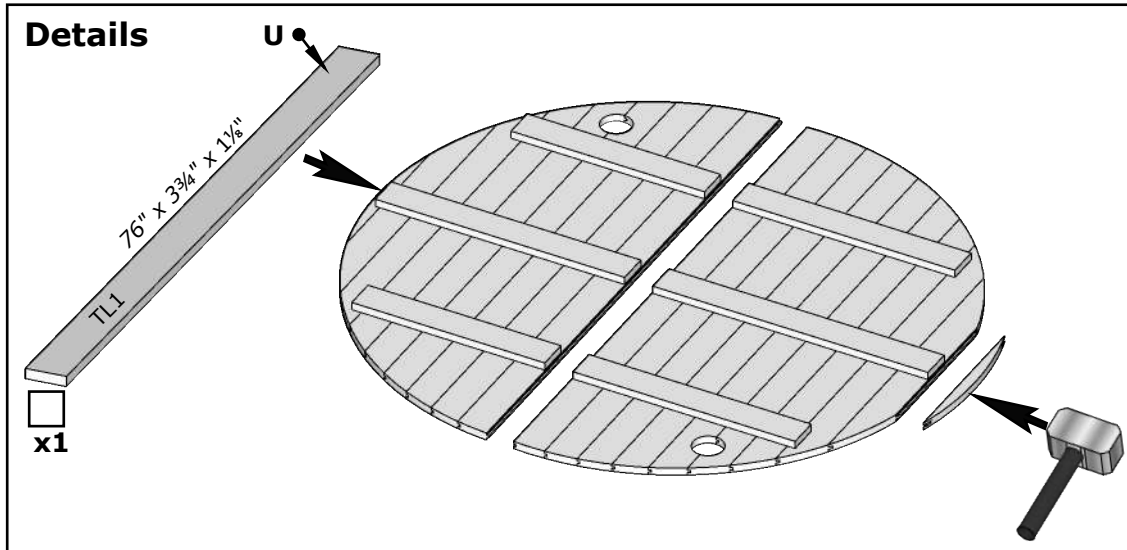


Drill holes 1/8" before screws.

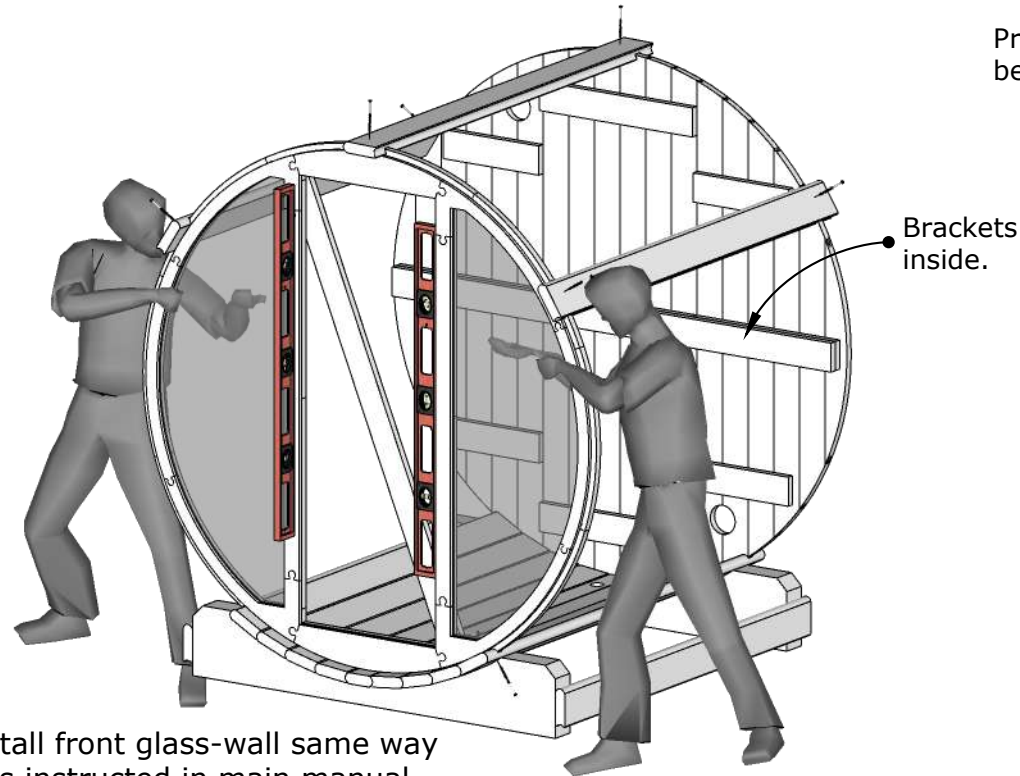
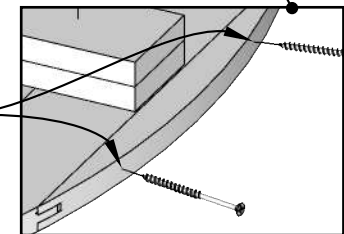




# Wooden back wall assembly



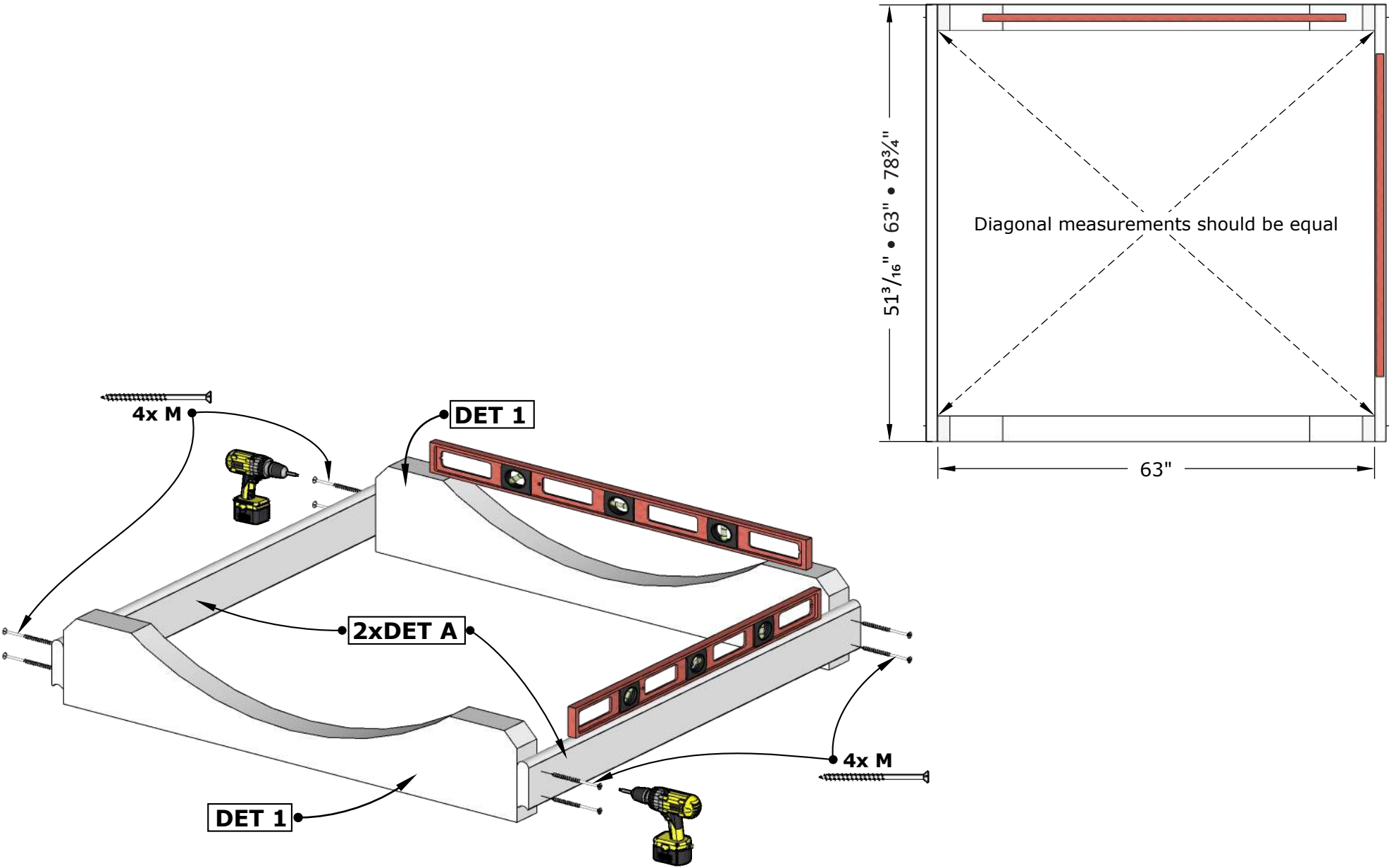
Pre-drill holes 5/32" before screws.



Install front glass-wall same way as instructed in main manual.

## III

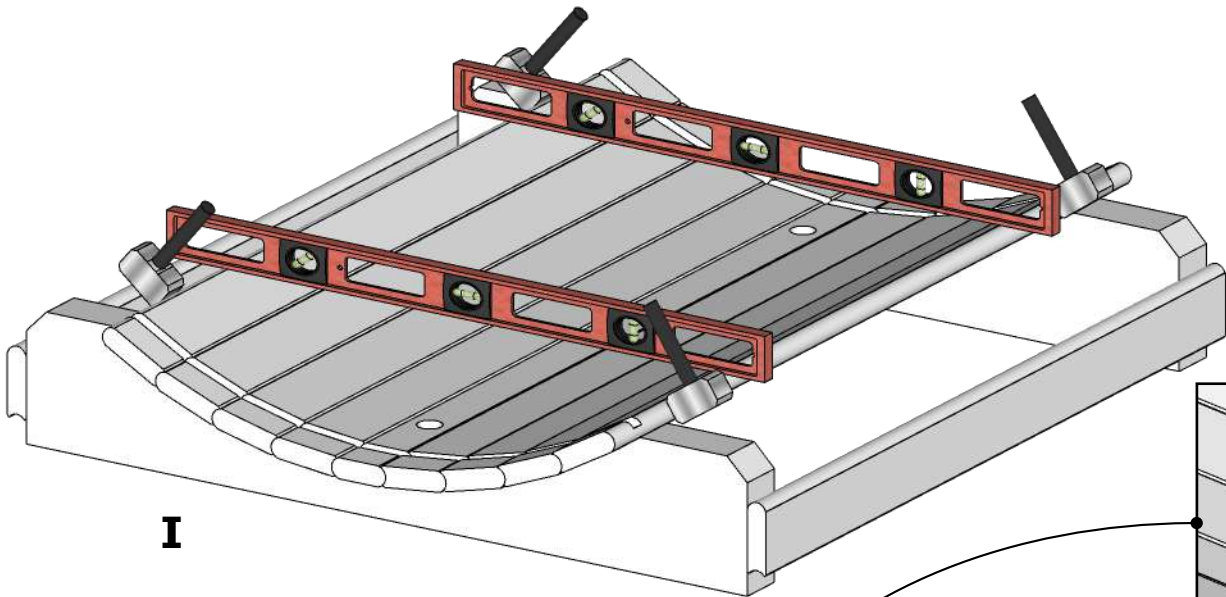
# E8G Barrel Sauna 87D" x 81H"



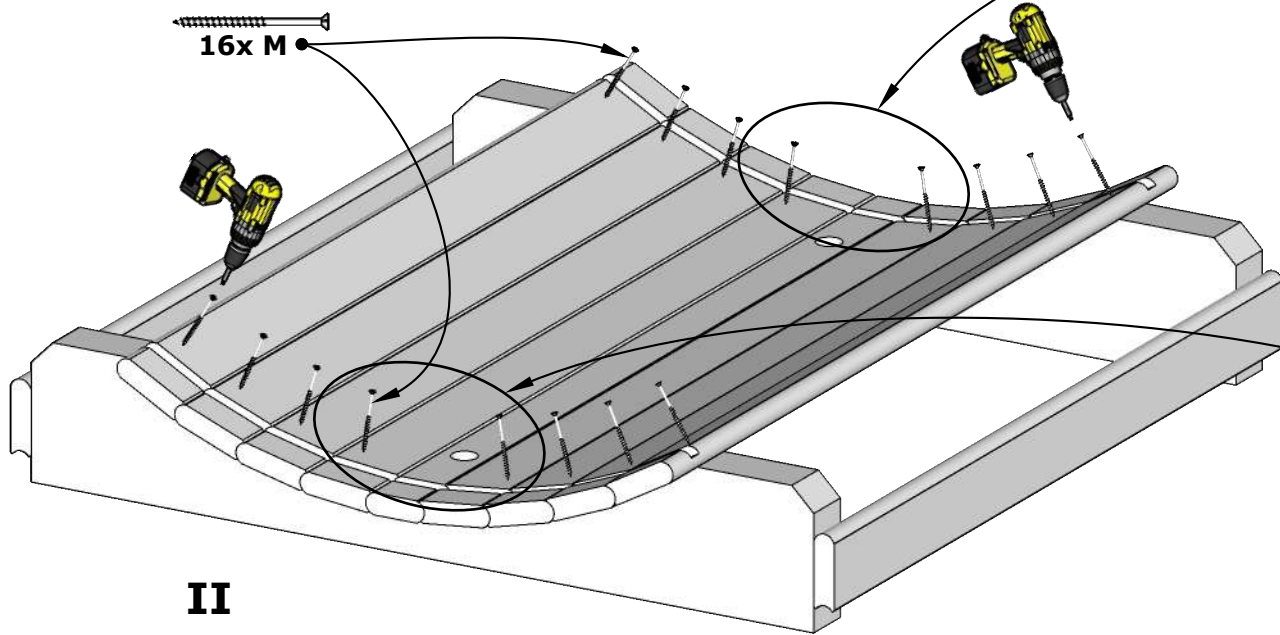
1.



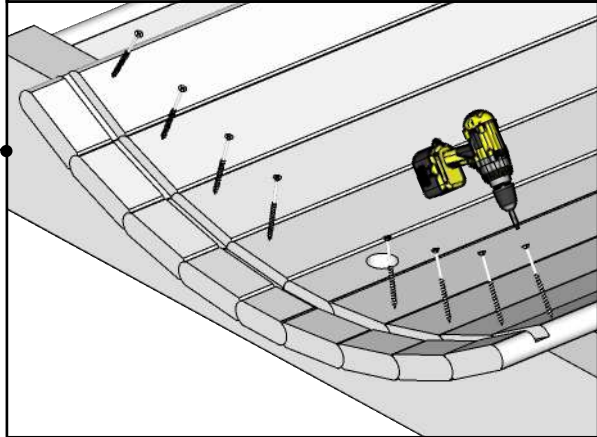
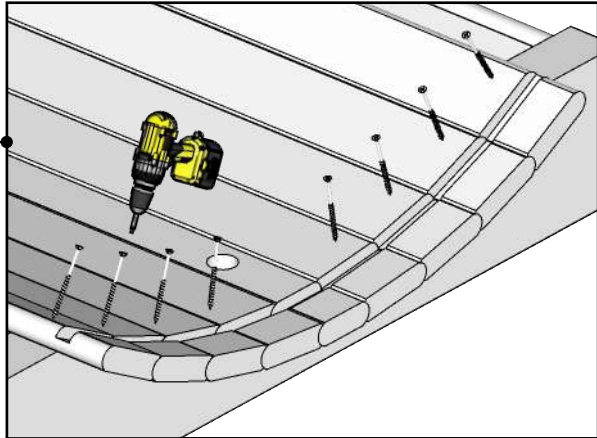
E8G Barrel Sauna 87D" x 81H"



I

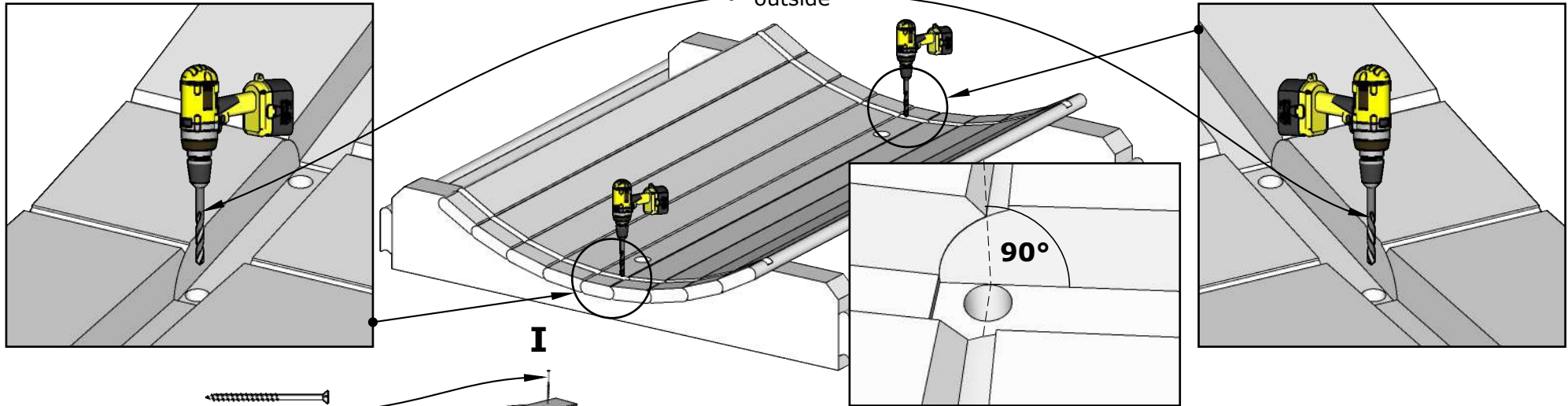


II



# E8G Barrel Sauna 87D" x 81H"

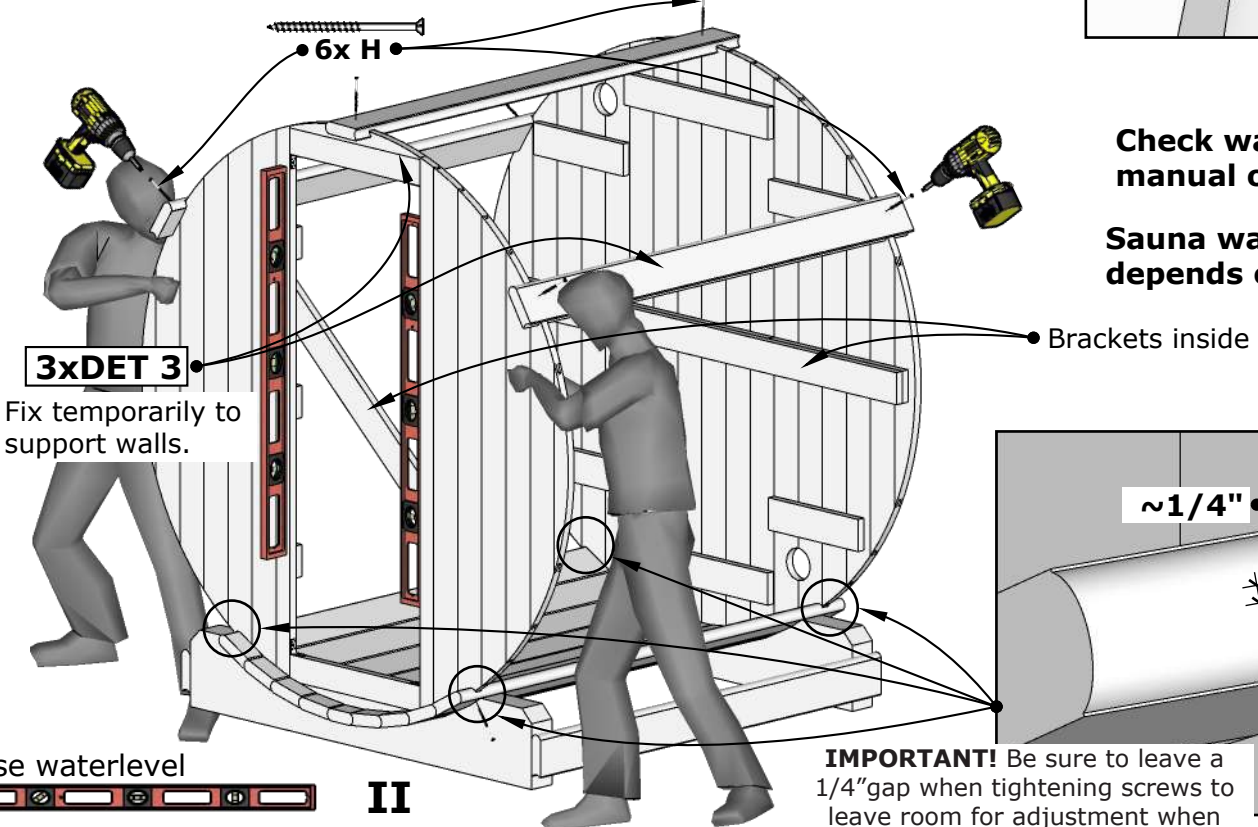
Drill 4 holes  $\varnothing 1/2"$   
through DET 2  
outside



**I**

**Check walls installation  
manual on extra pages!**

**Sauna wall configuration  
depends on Your model!**



**3xDET 3**

Fix temporarily to support walls.

6x H

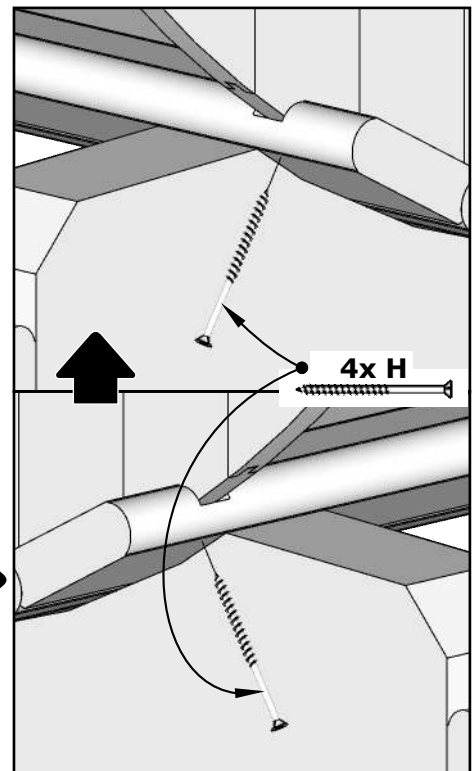
Brackets inside

~1/4"

**IMPORTANT!** Be sure to leave a 1/4" gap when tightening screws to leave room for adjustment when the outer bands (B) are installed.

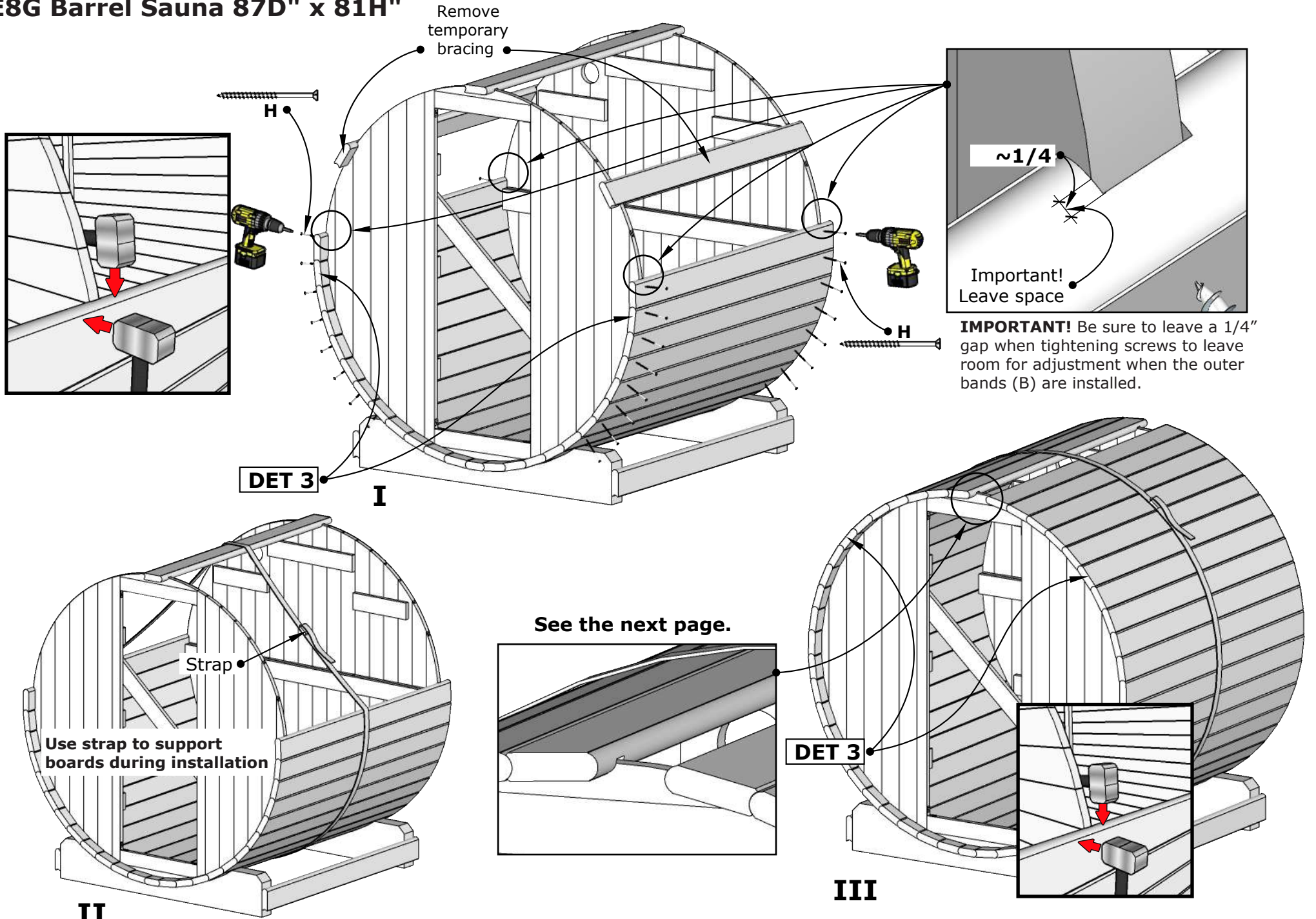


**II**

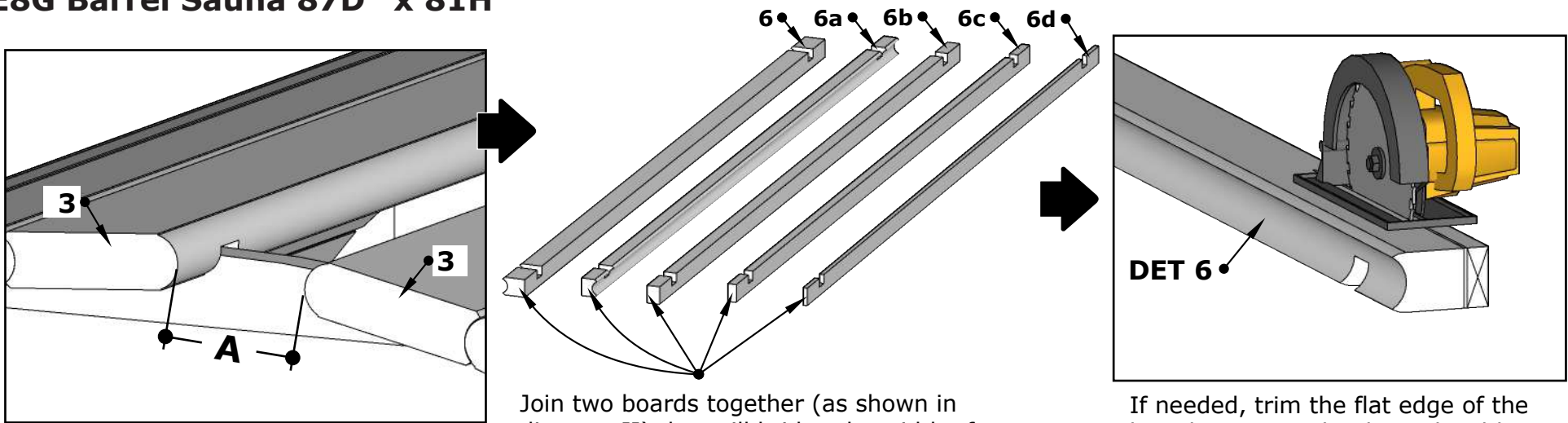


4x H

# E8G Barrel Sauna 87D" x 81H"



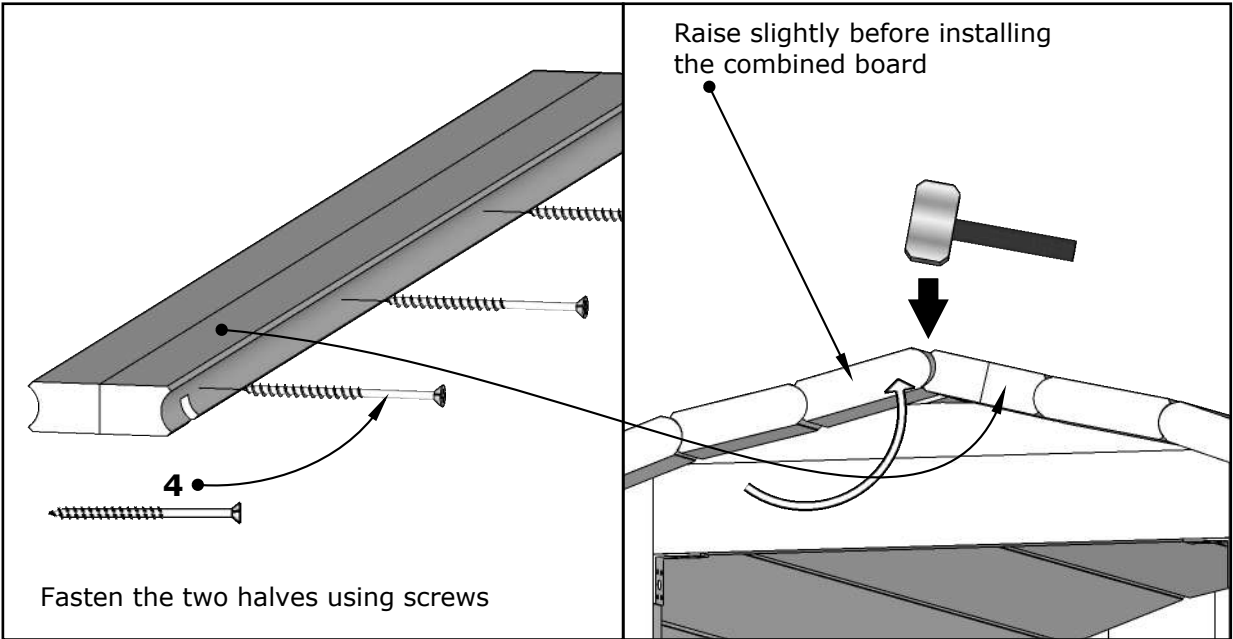
# E8G Barrel Sauna 87D" x 81H"



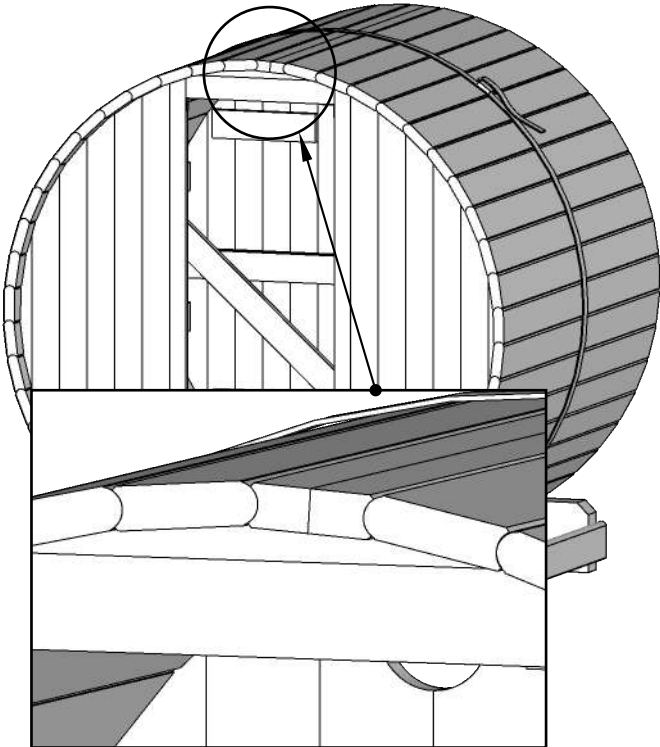
Join two boards together (as shown in diagram II) that will bridge the width of the "A" gap. It is recommended that the combined boards are approximately 1/4" wider than the gap.

If needed, trim the flat edge of the board to create the desired width.

**I**

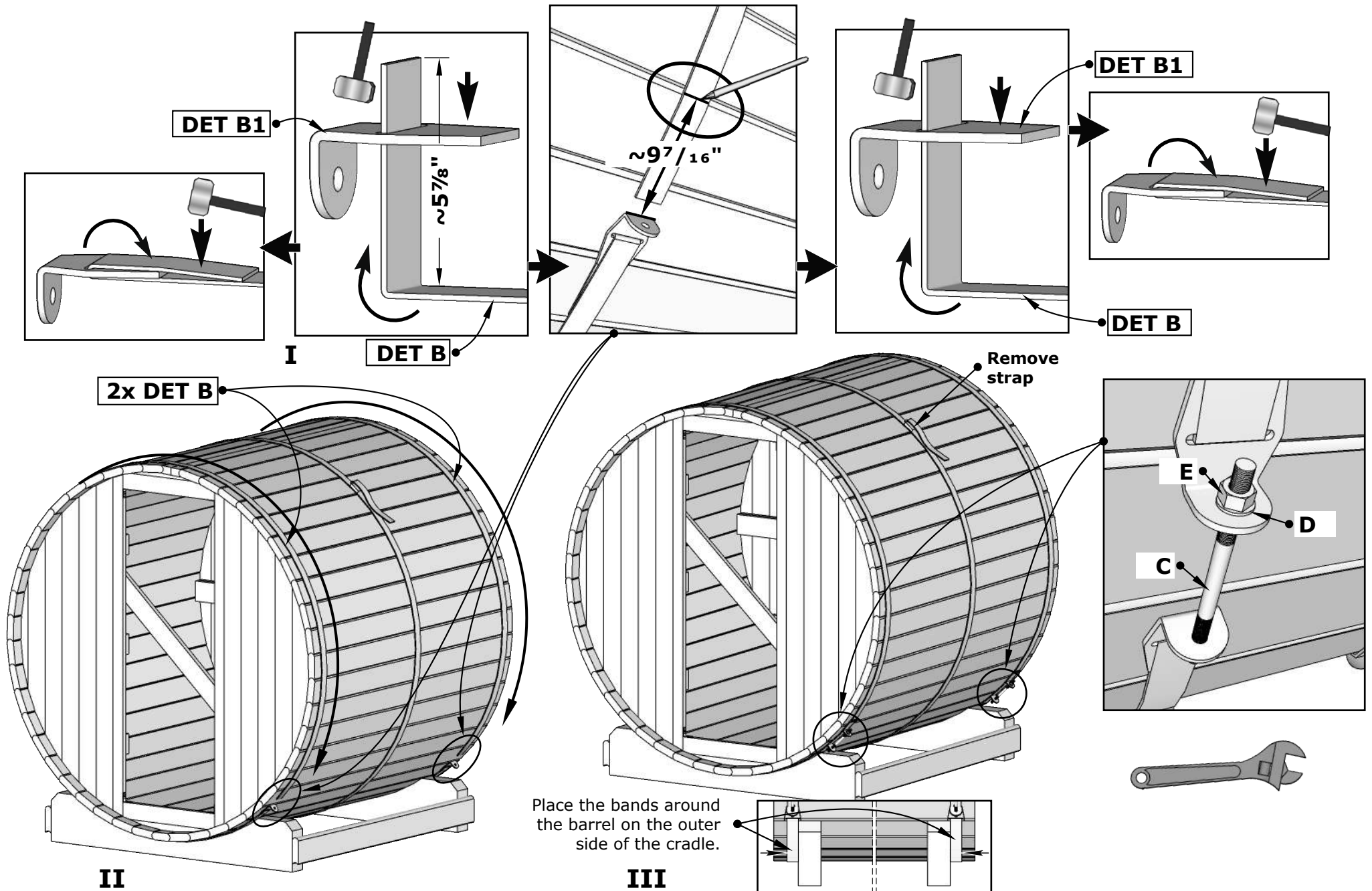


**II**



**III**

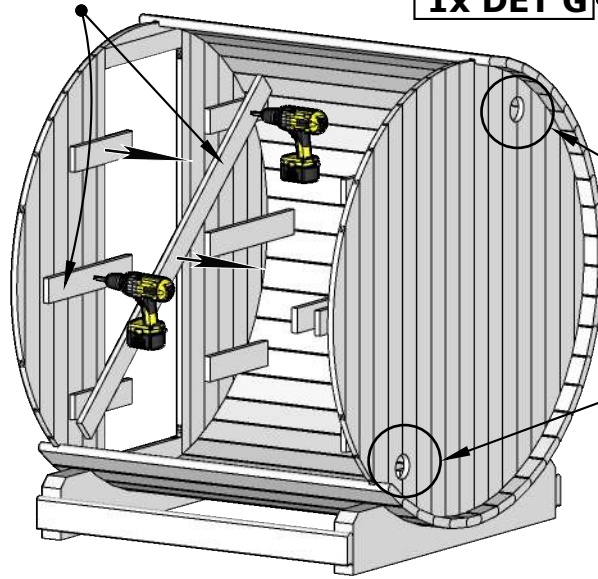
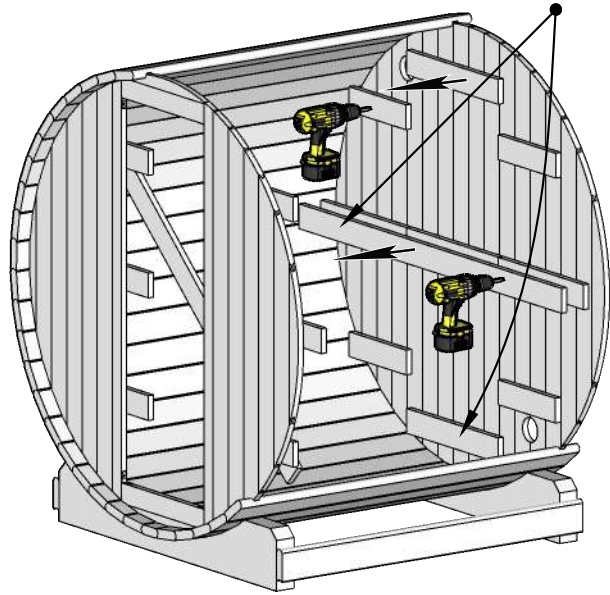
# E8G Barrel Sauna 87D" x 81H"



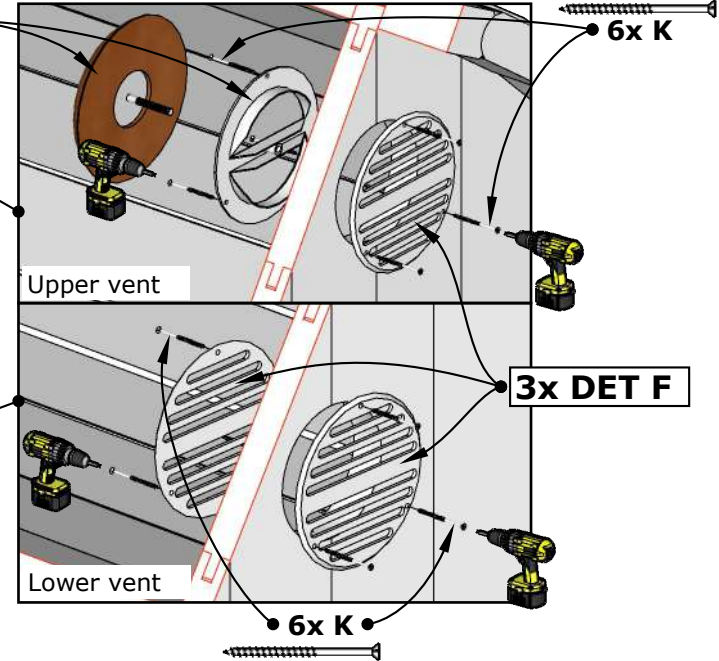


# E8G Barrel Sauna 87D" x 81H"

Remove all temporary braces



1x DET G



Upper vent

Lower vent

3x DET F

6x K

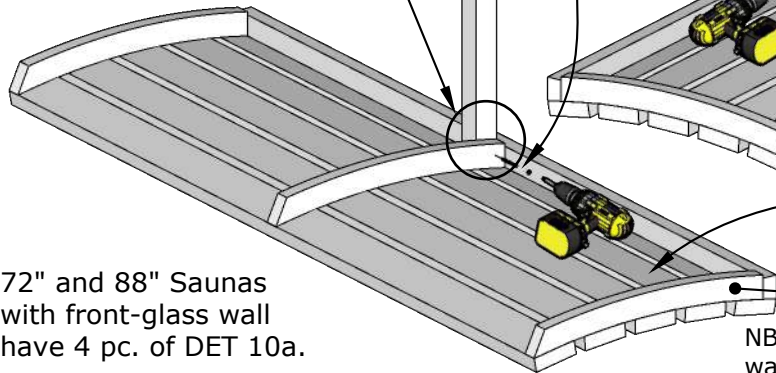
I

2x DET 10a

2x H

2x DET 10

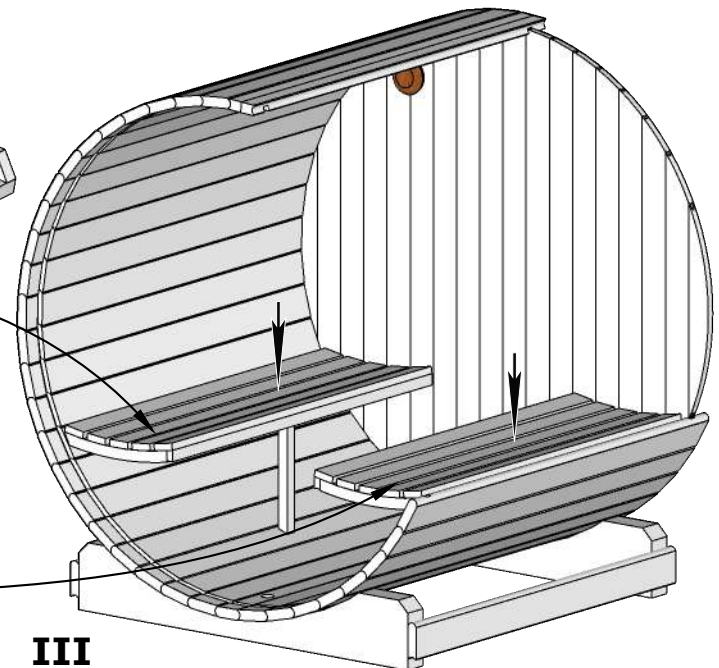
Pre-drill holes Ø5/32" before screws.



72" and 88" Saunas with front-glass wall have 4 pc. of DET 10a.

NB! If Your sauna equipped with front-glass wall, see front-glass wall installation manual for proper benches installation.

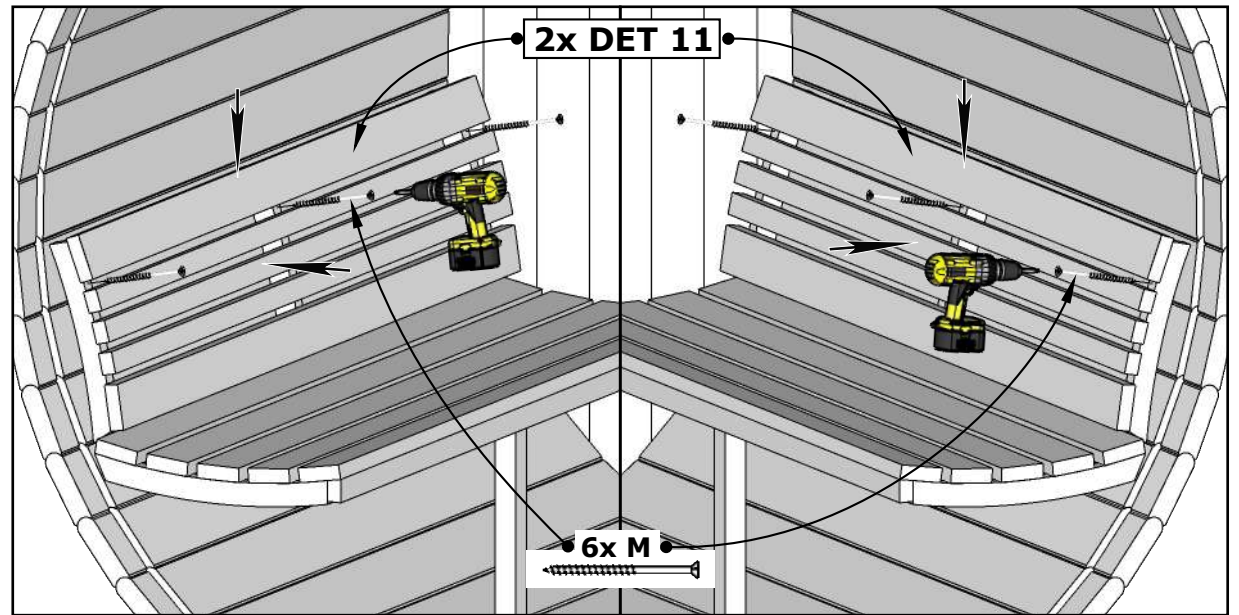
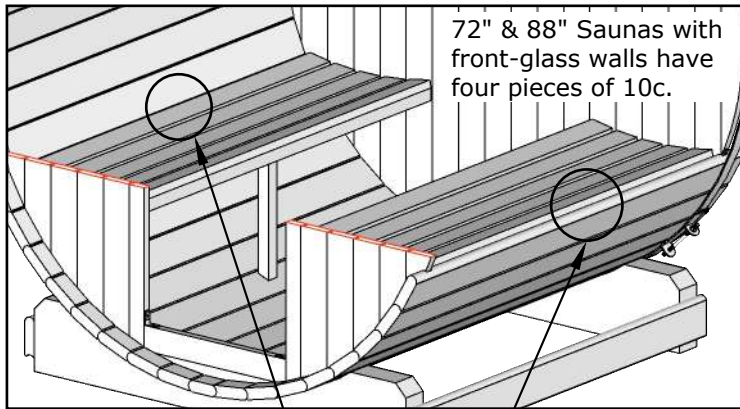
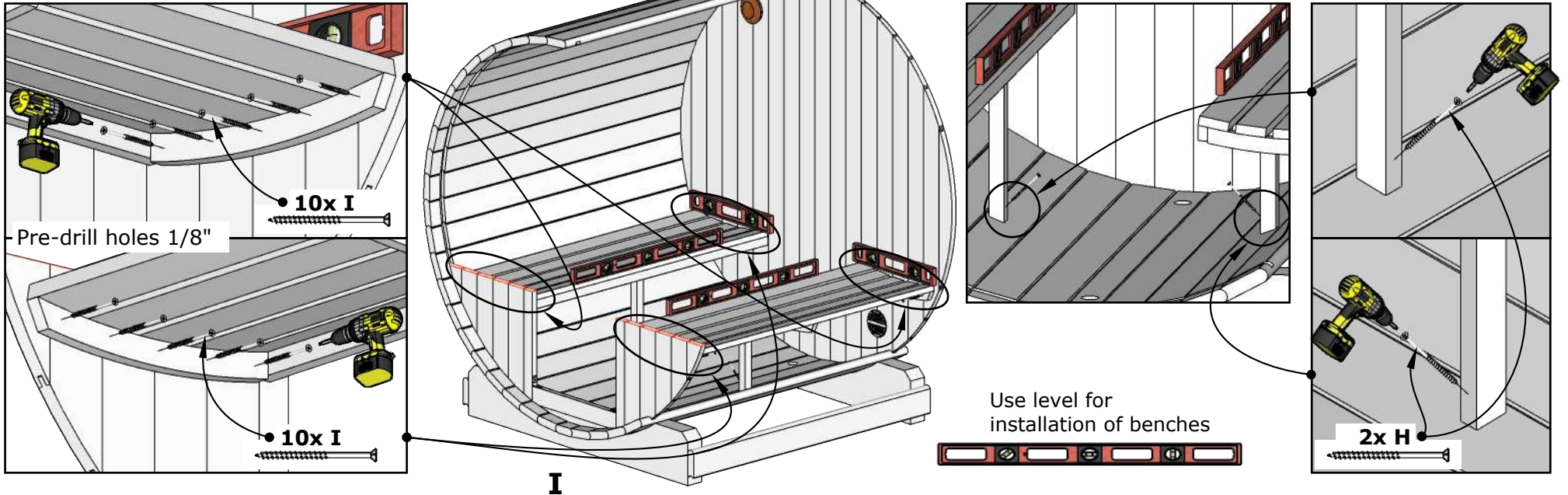
III



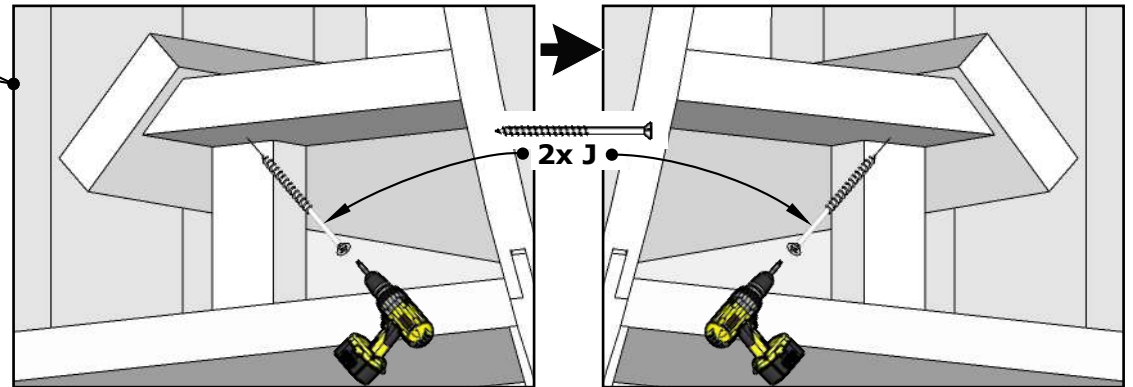
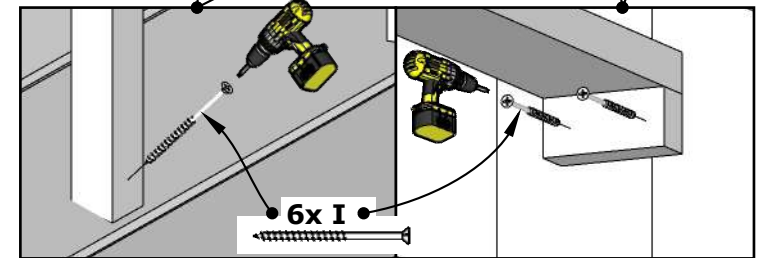
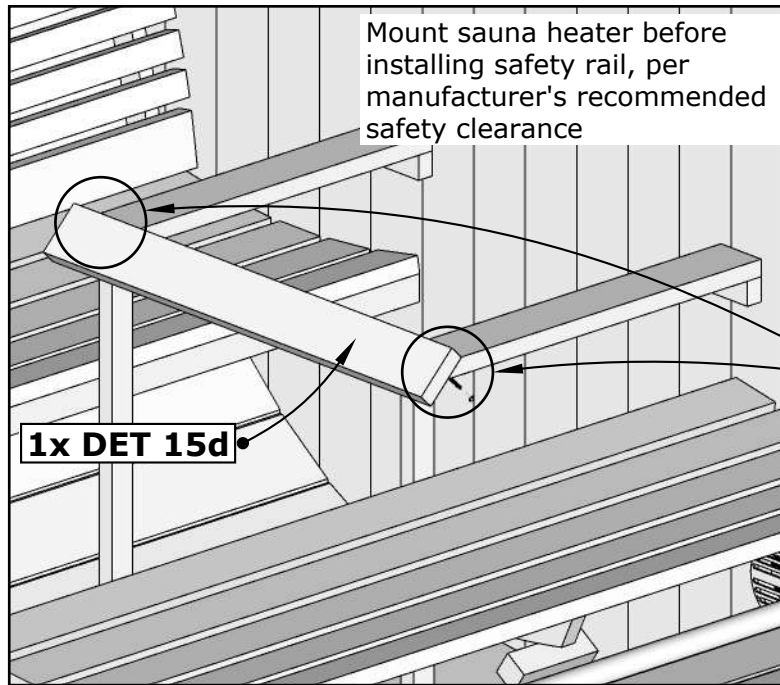
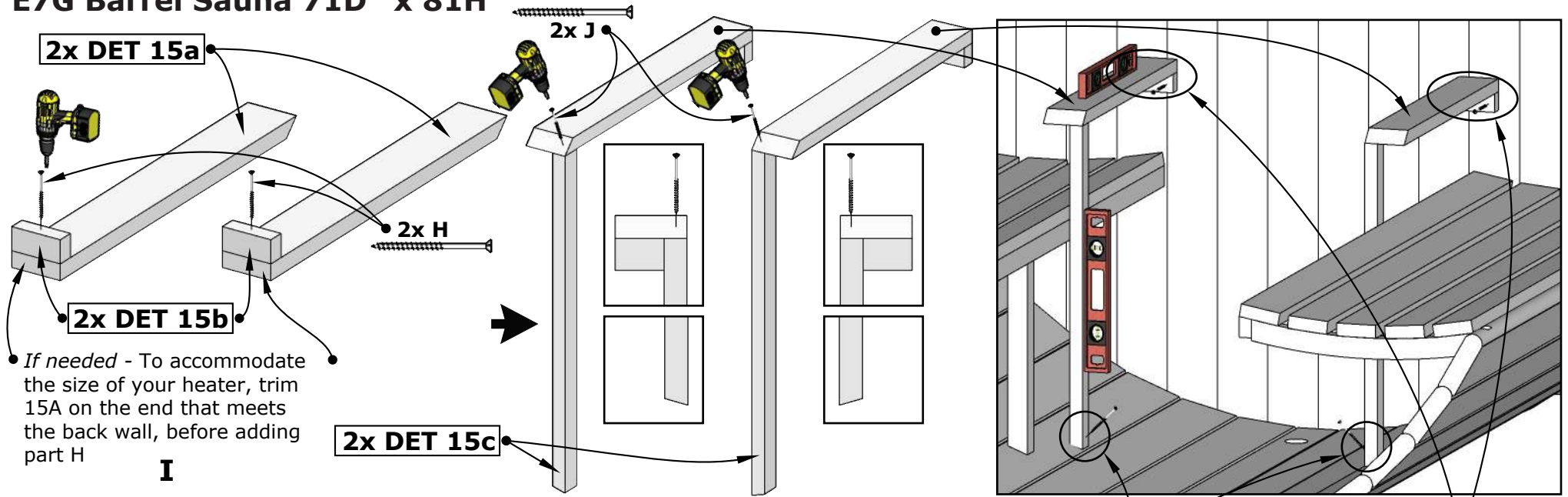
8.

II

# E8G Barrel Sauna 87D" x 81H"

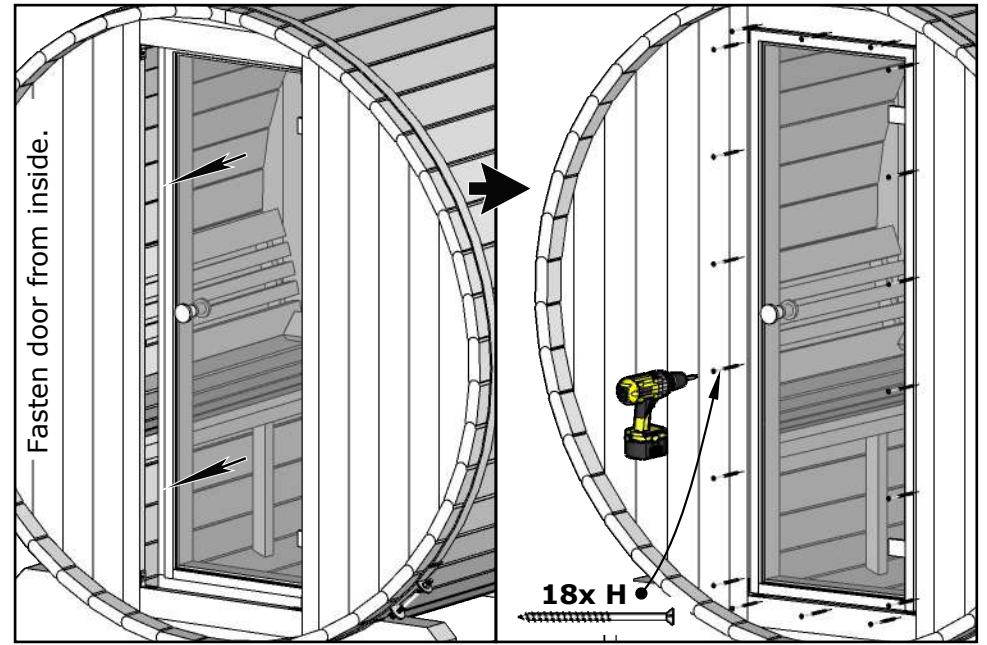
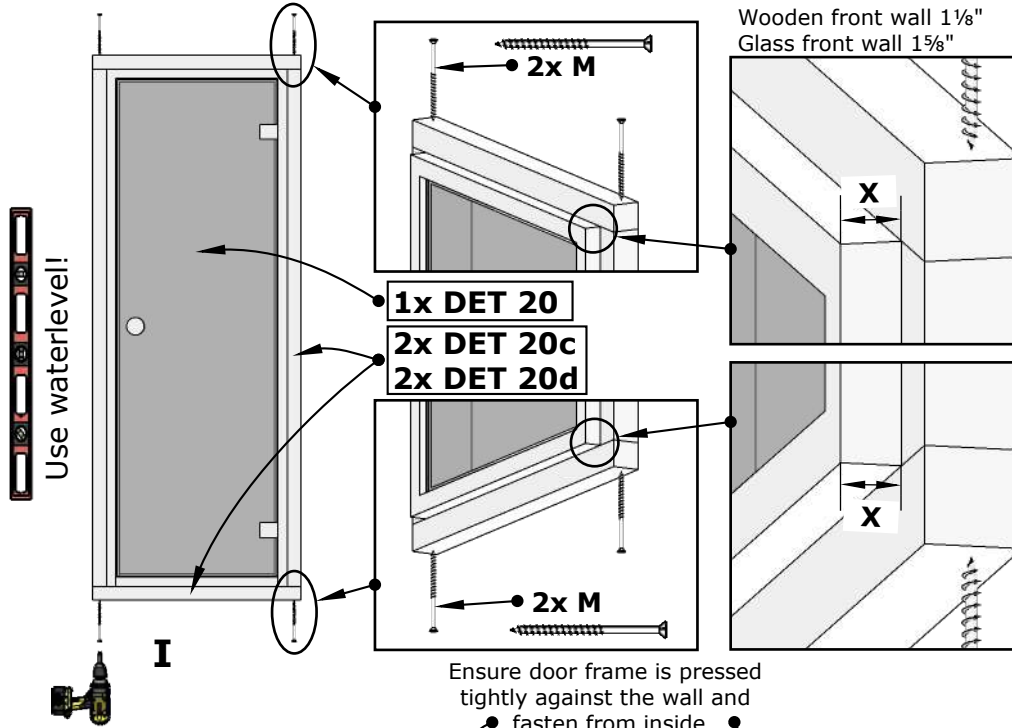


# E7G Barrel Sauna 71D" x 81H"

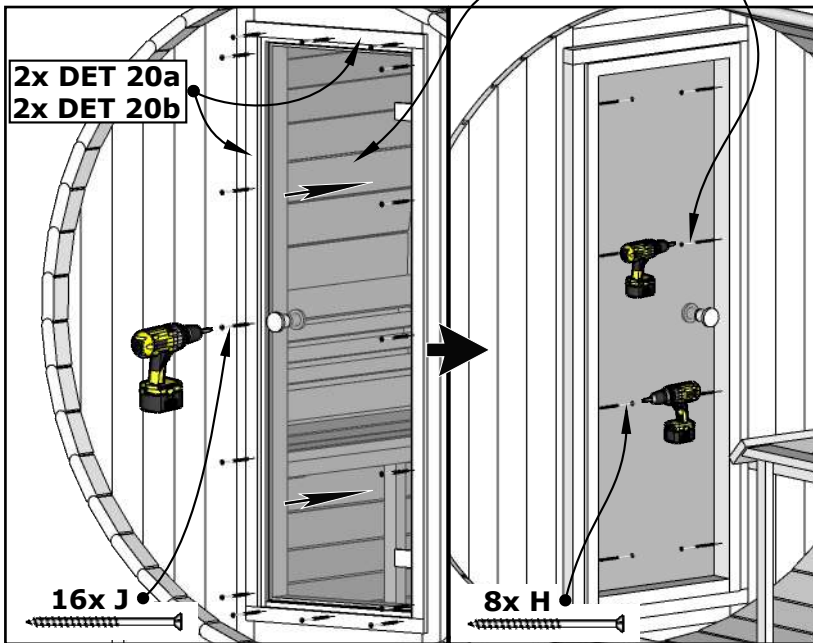


# E8G Barrel Sauna 87D" x 81H"

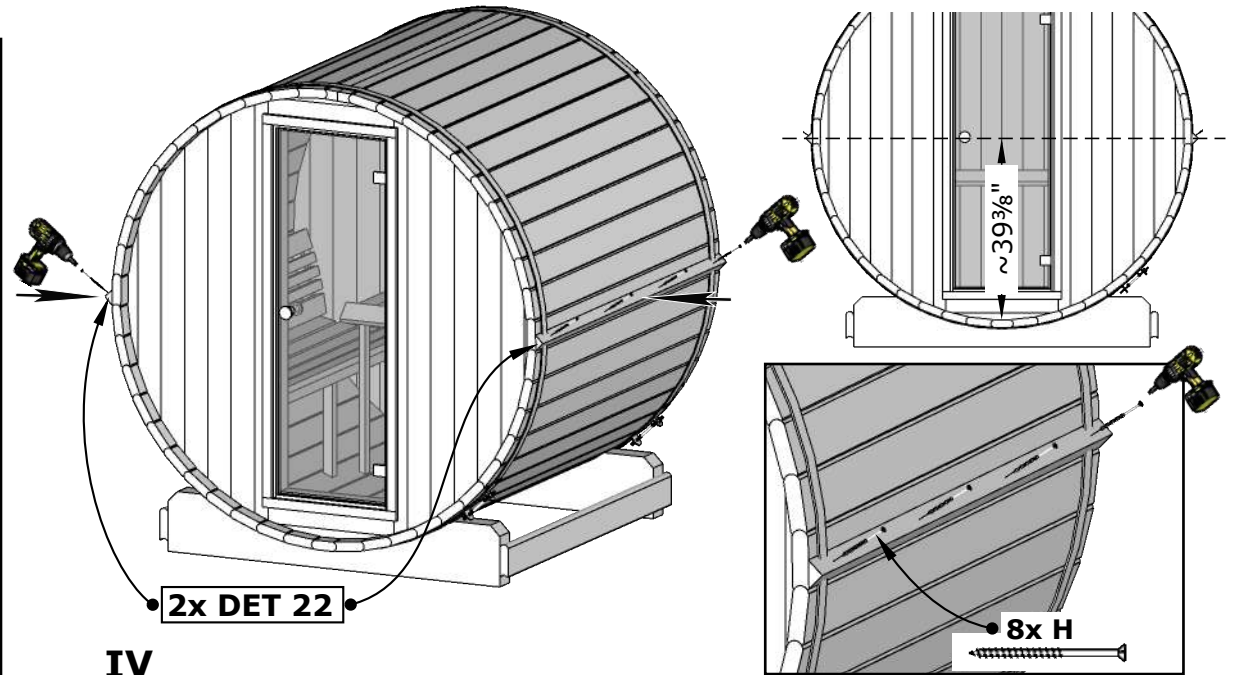
X= Front wall thickness  
 Wooden front wall 1 1/8"  
 Glass front wall 1 5/8"



II



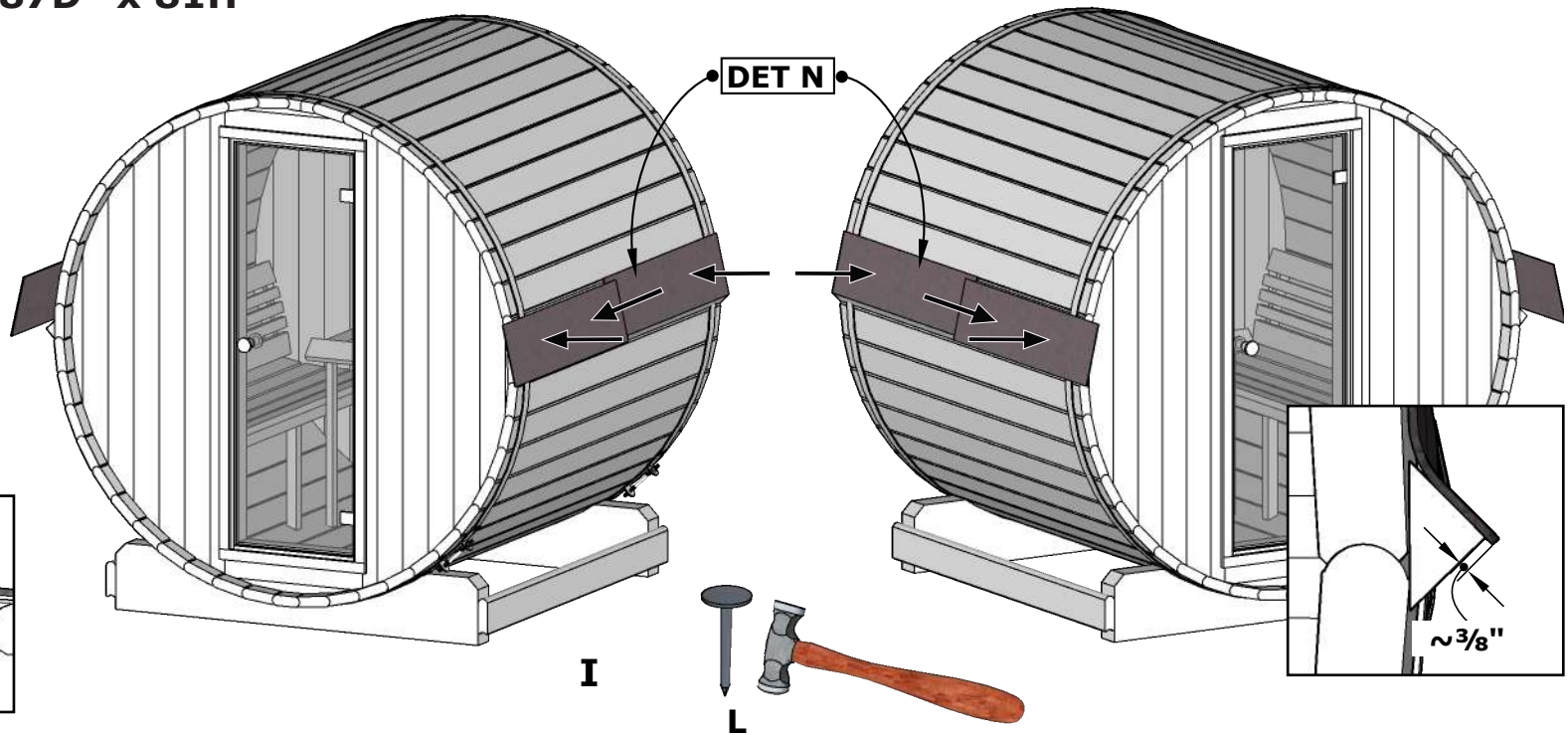
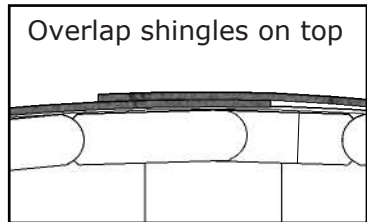
11. III



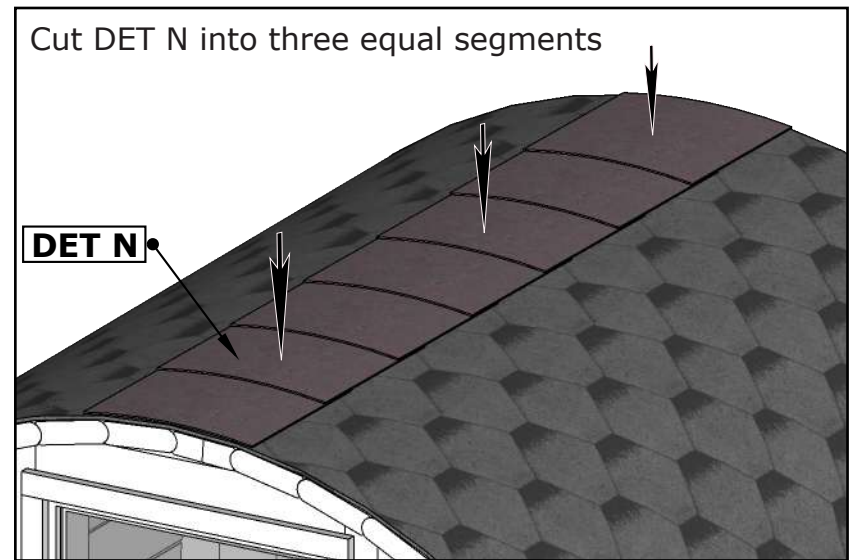
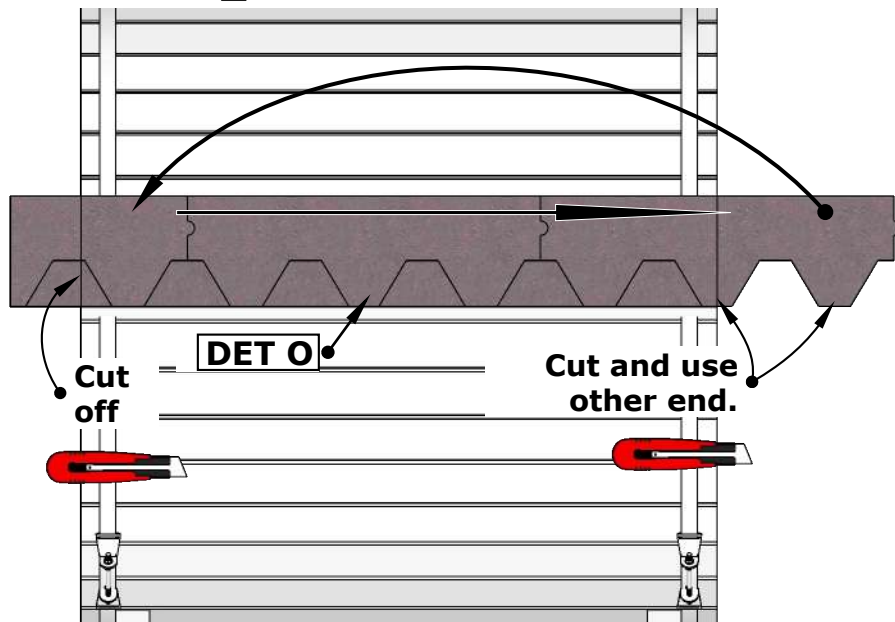
IV

# E8G Barrel Sauna 87D" x 81H"

See the installation manual inside the shingles package



Check also roof shingles installation manual inside package.



# E8G Barrel Sauna 87D" x 81H"

