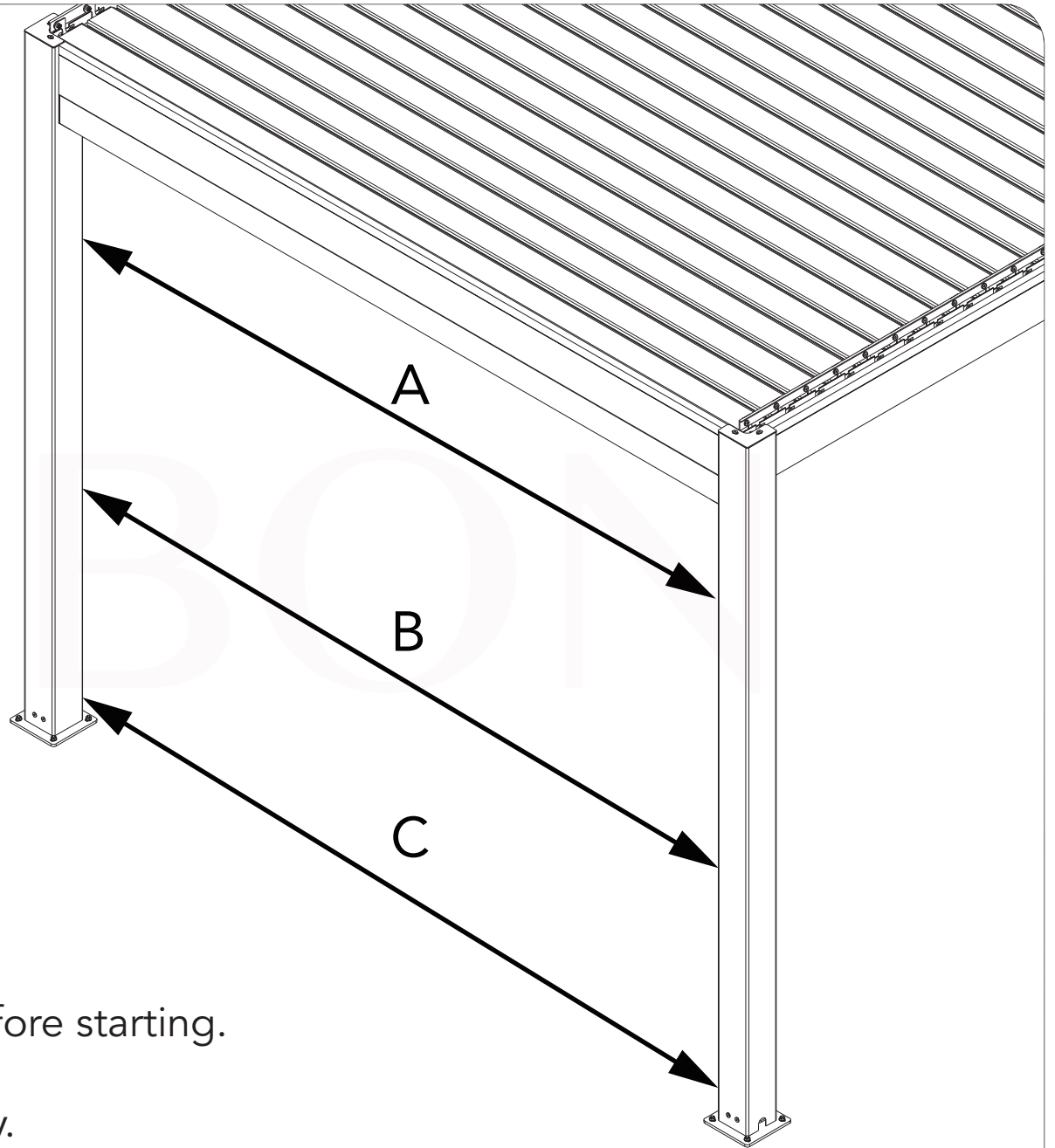


**BON PERGOLA**  
DESIGNED IN CALIFORNIA

Motorize screen installation instruction for Villa Pergola



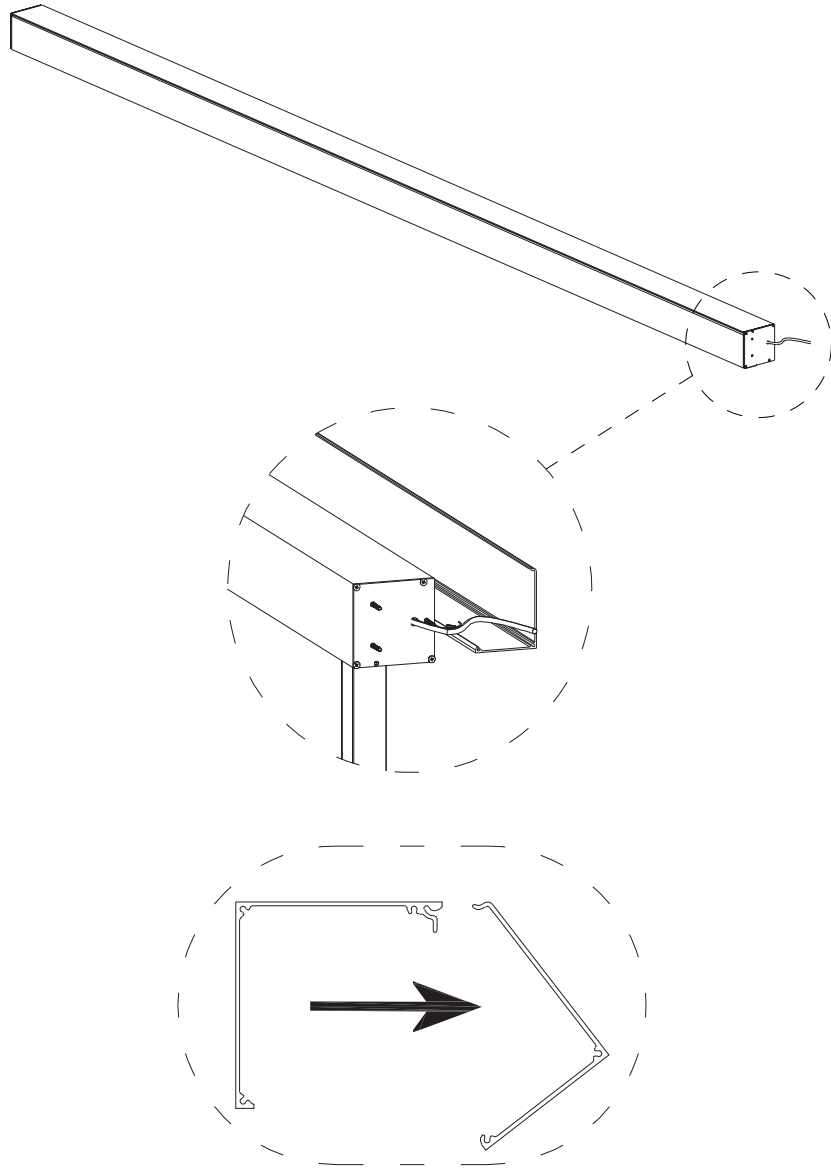
STEP1



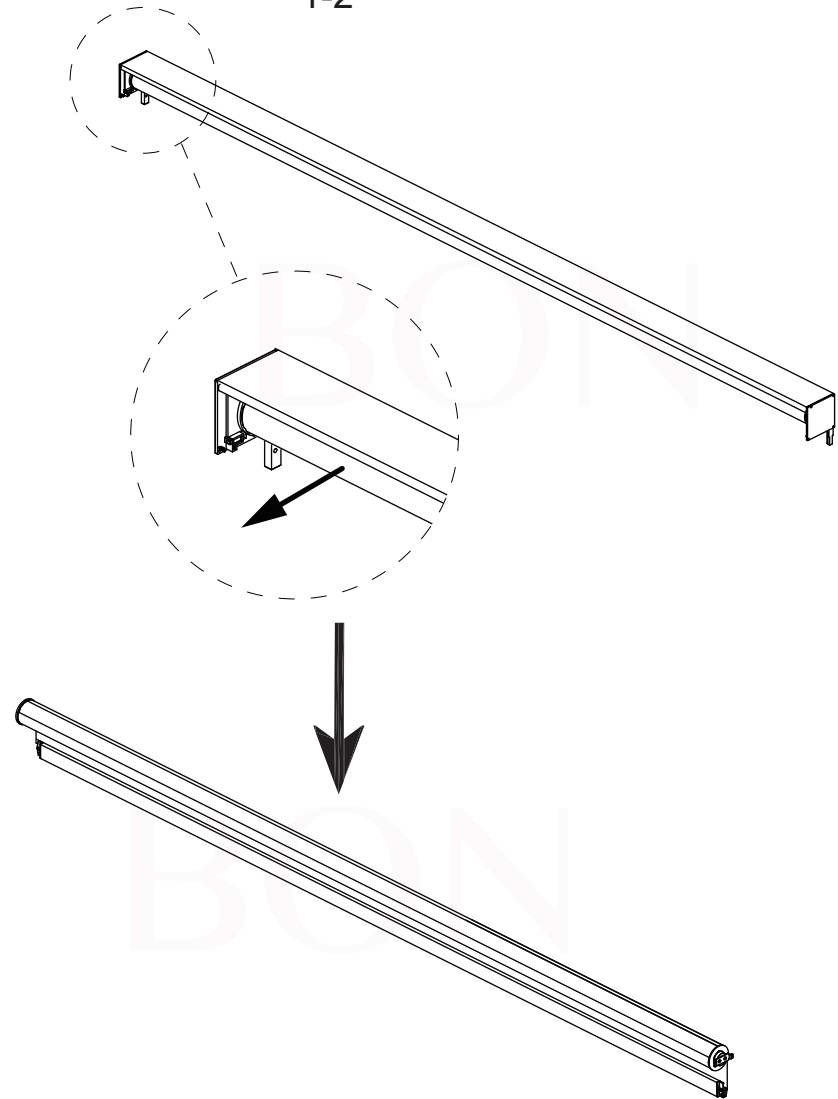
Before installing your screen / shade, measure the three width to make sure they are equal before starting. This is important to make sure the screen will function properly.

STEP2

1-1



1-2

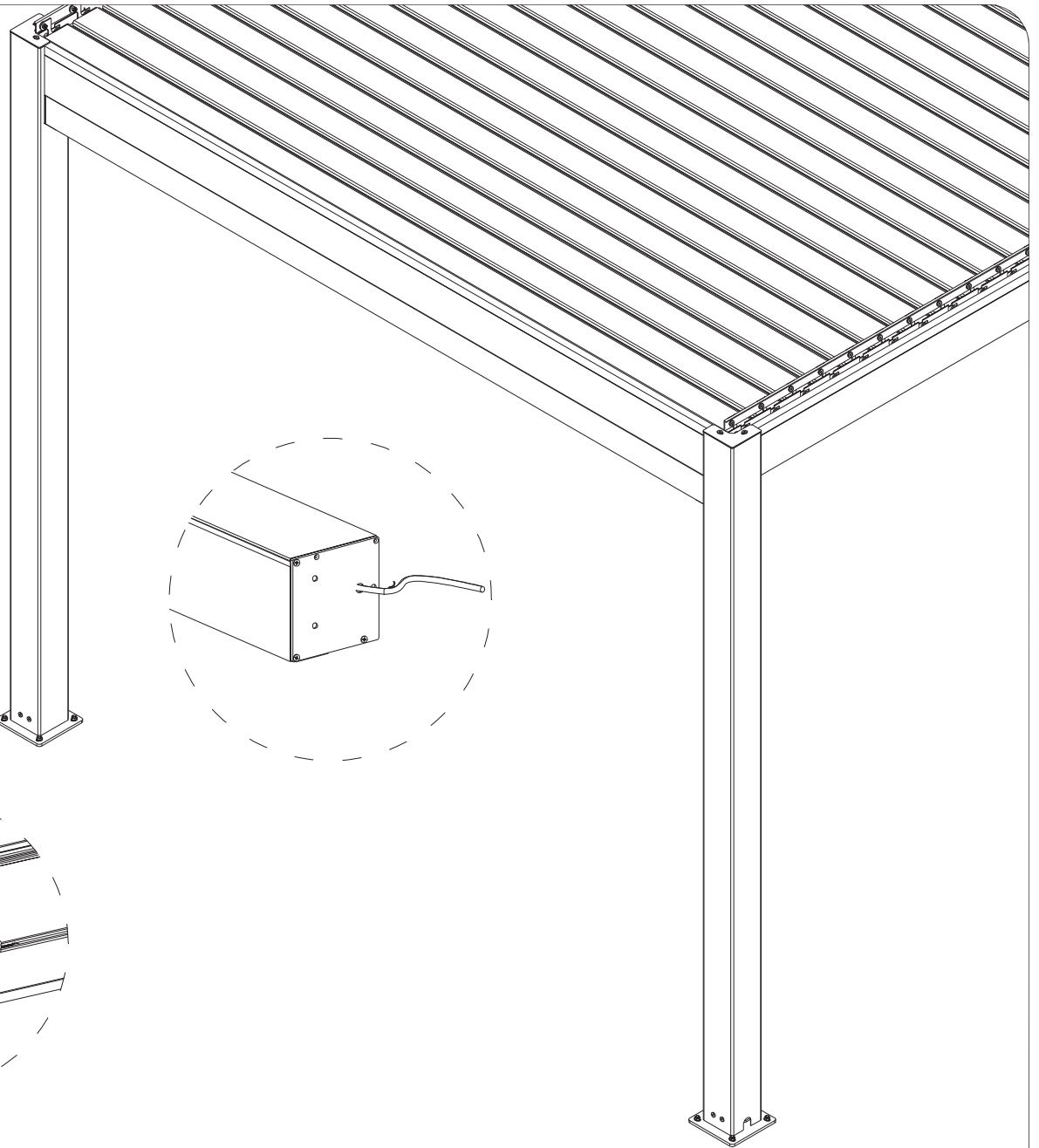
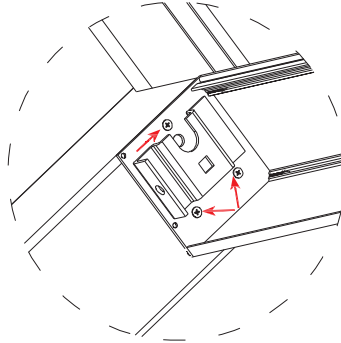
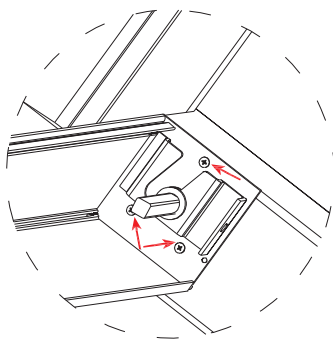
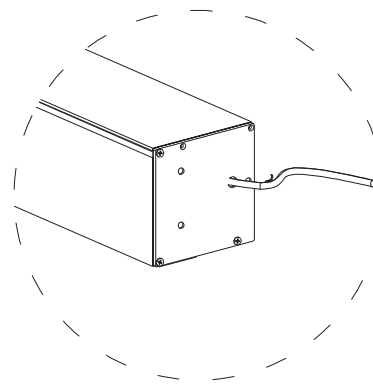
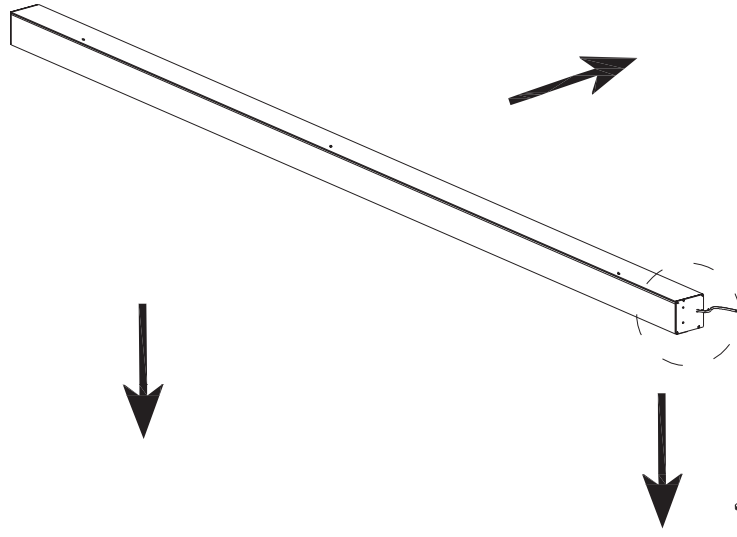


# STEP3

① x 6



cross countersunk head self-drilling 4.2X32

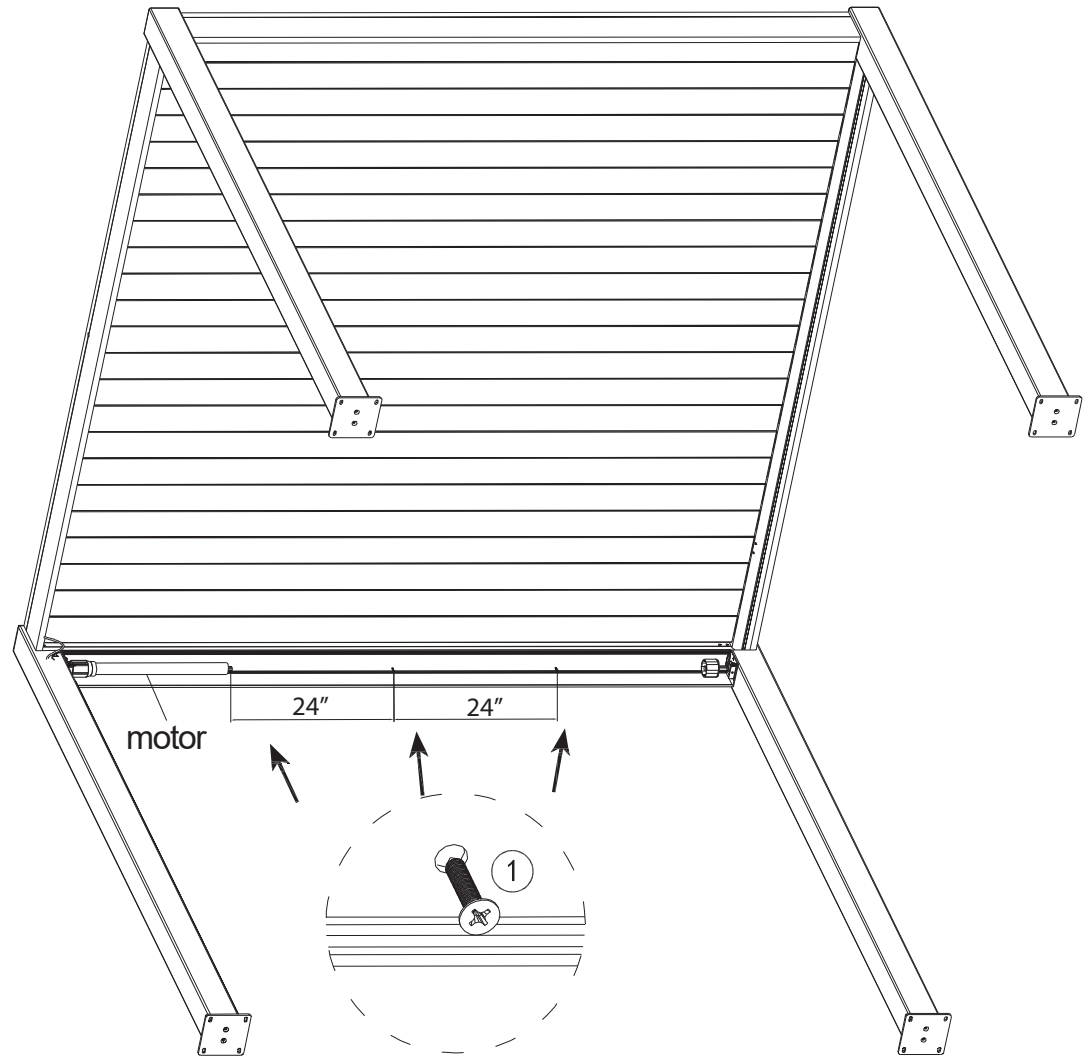
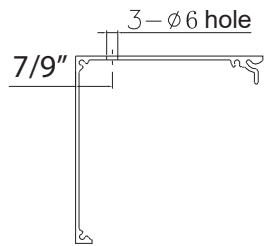
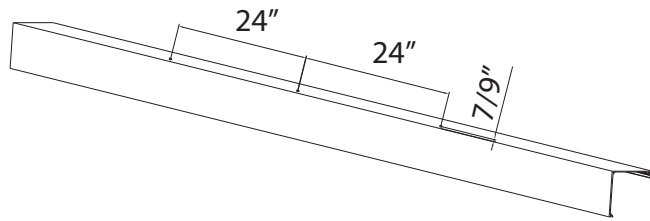


# STEP4

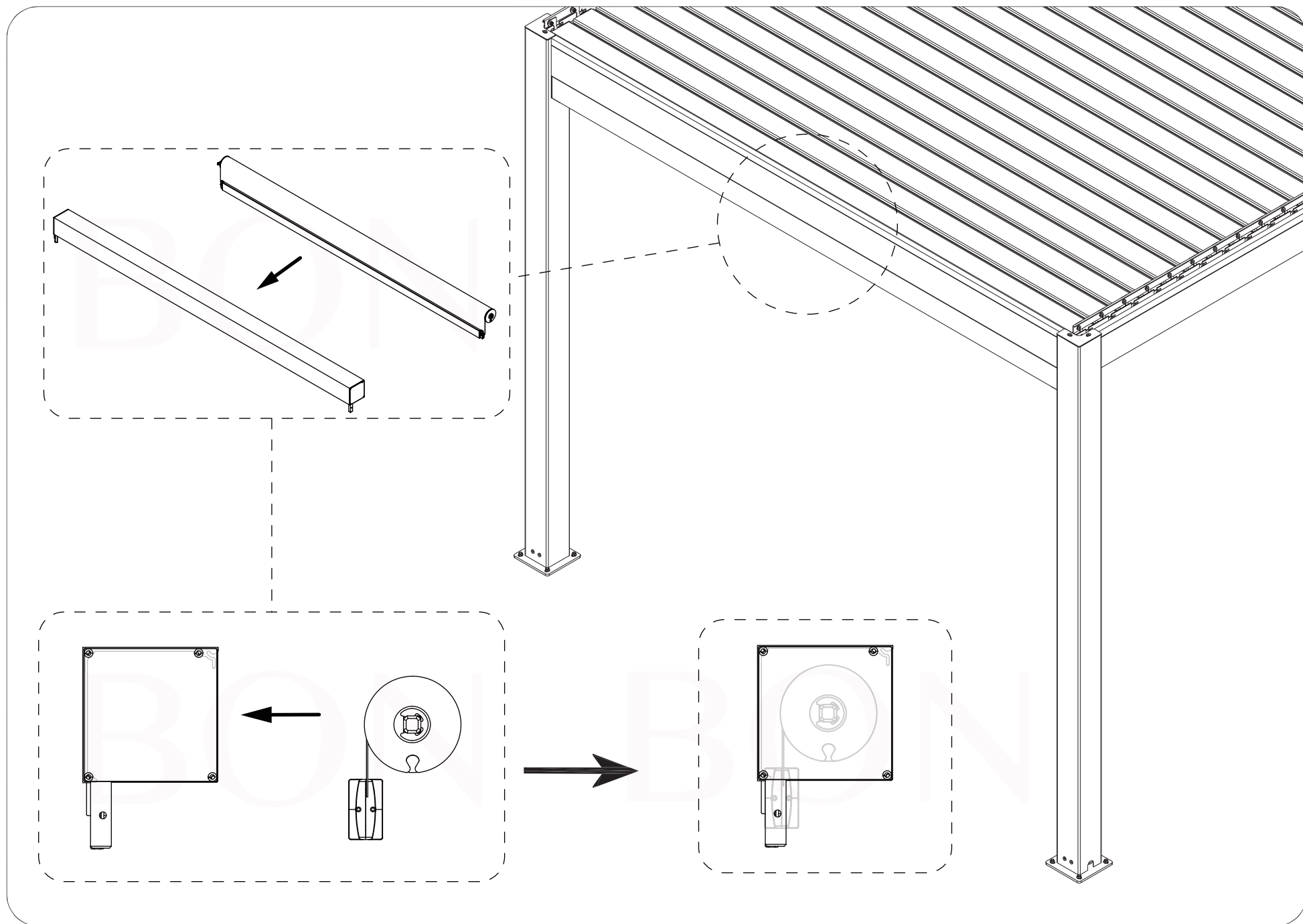
① x 3



cross countersunk head self-drilling 4.2X32



STEP5

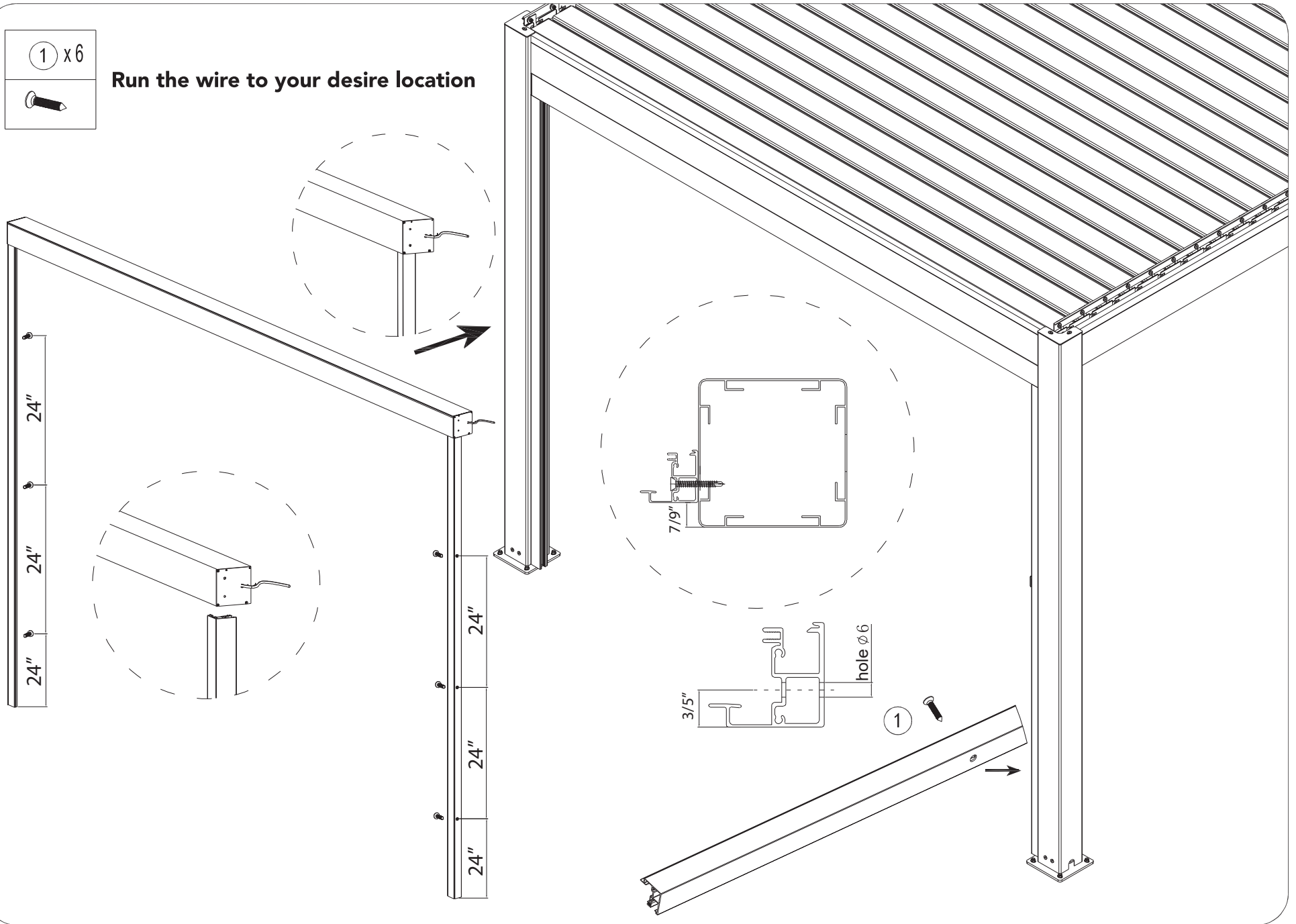


STEP6

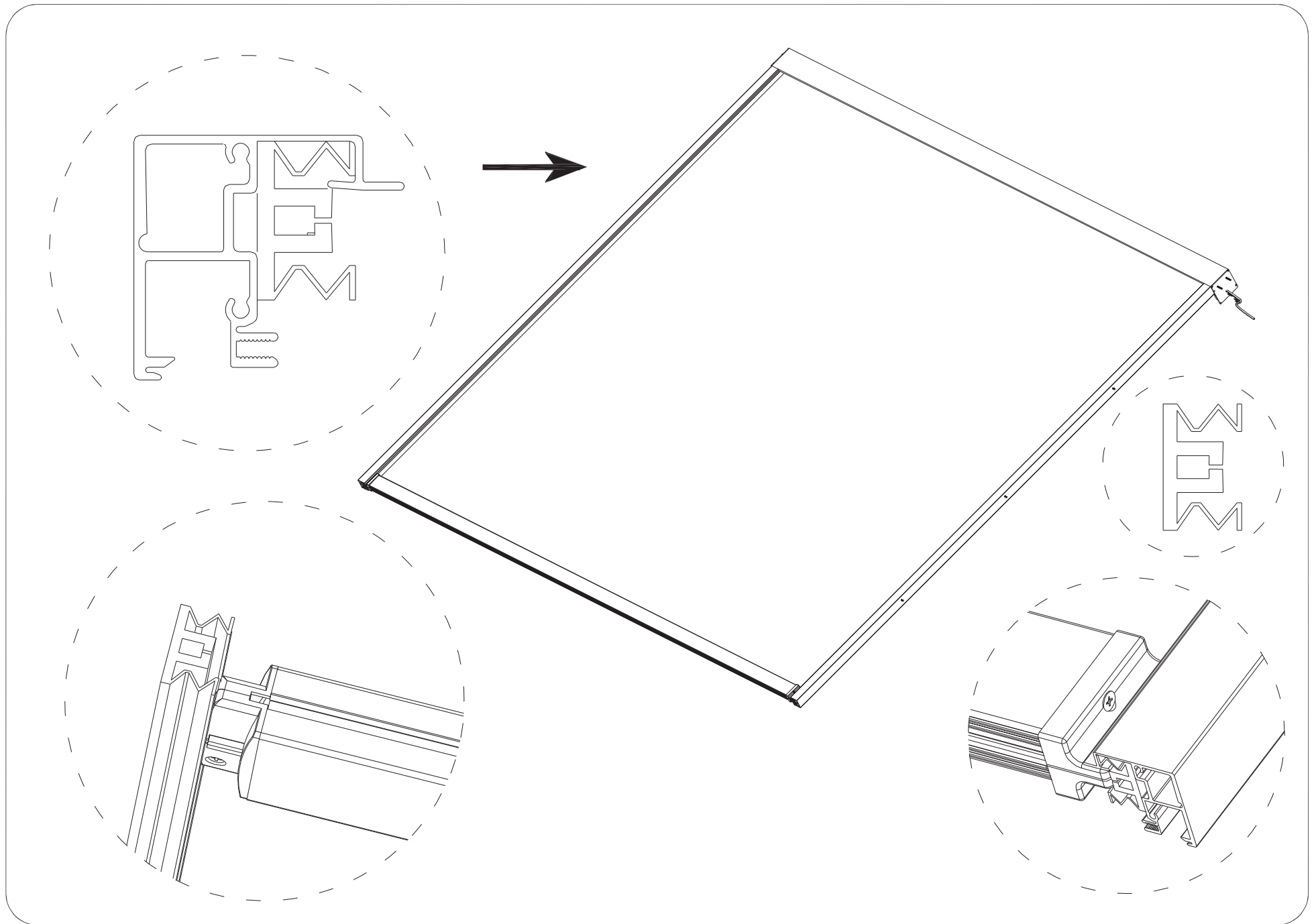
① x6



Run the wire to your desire location

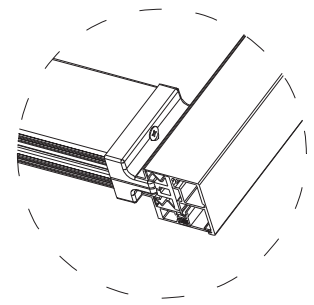
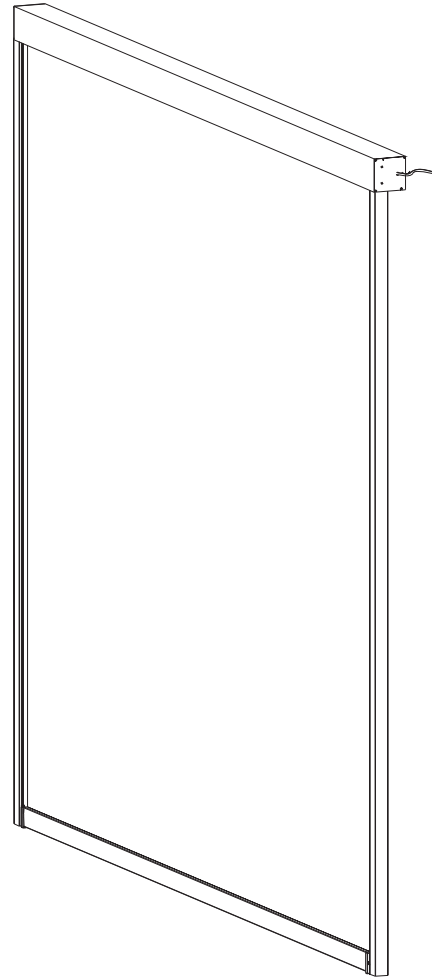
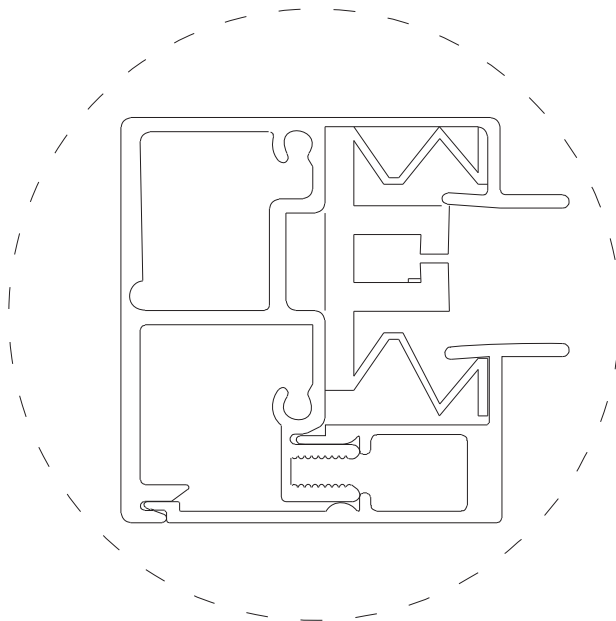
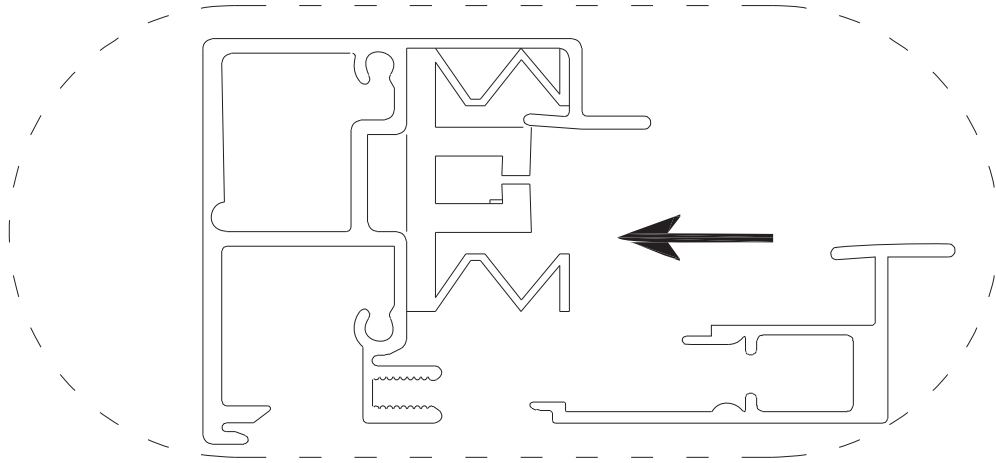


STEP 7

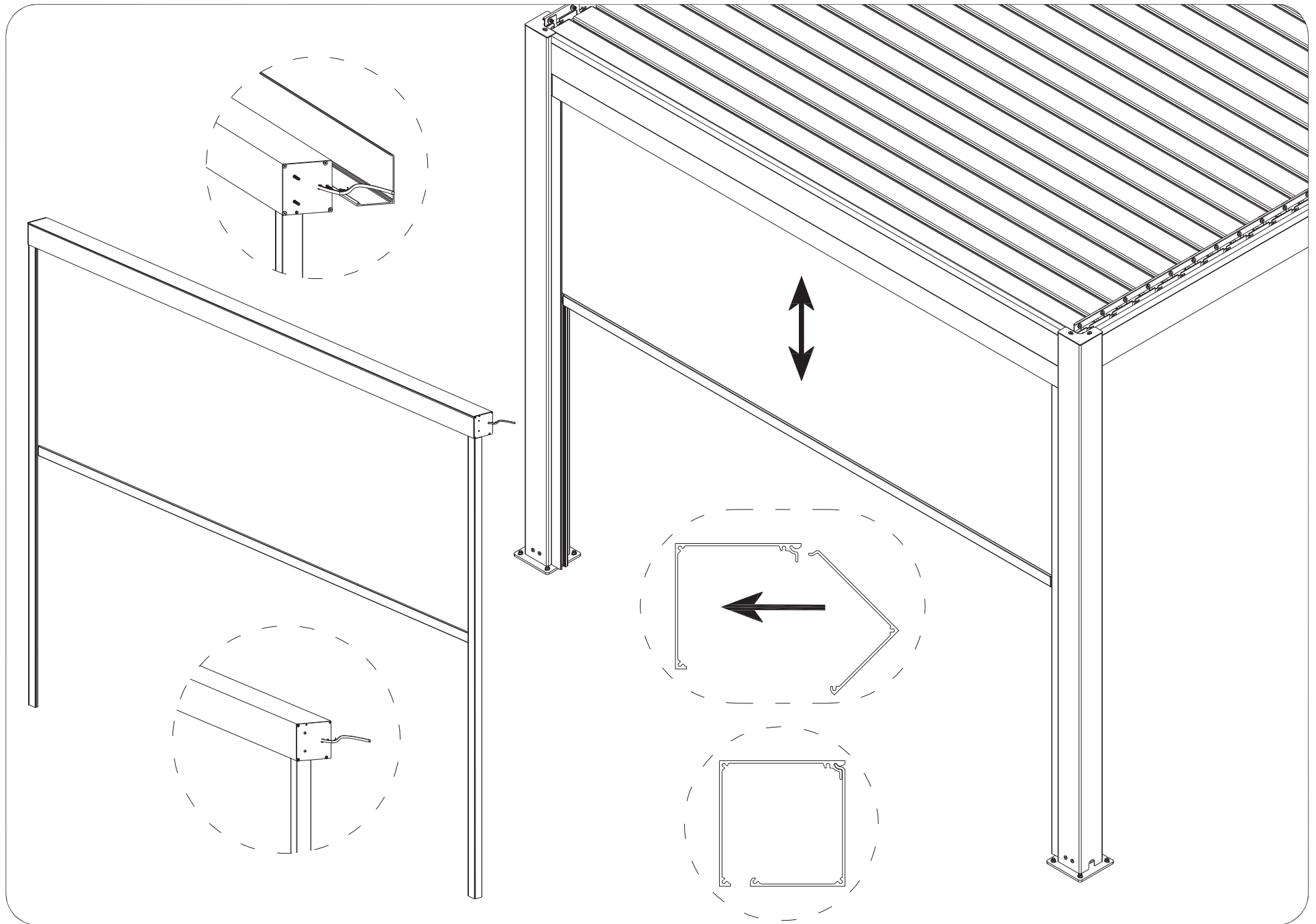




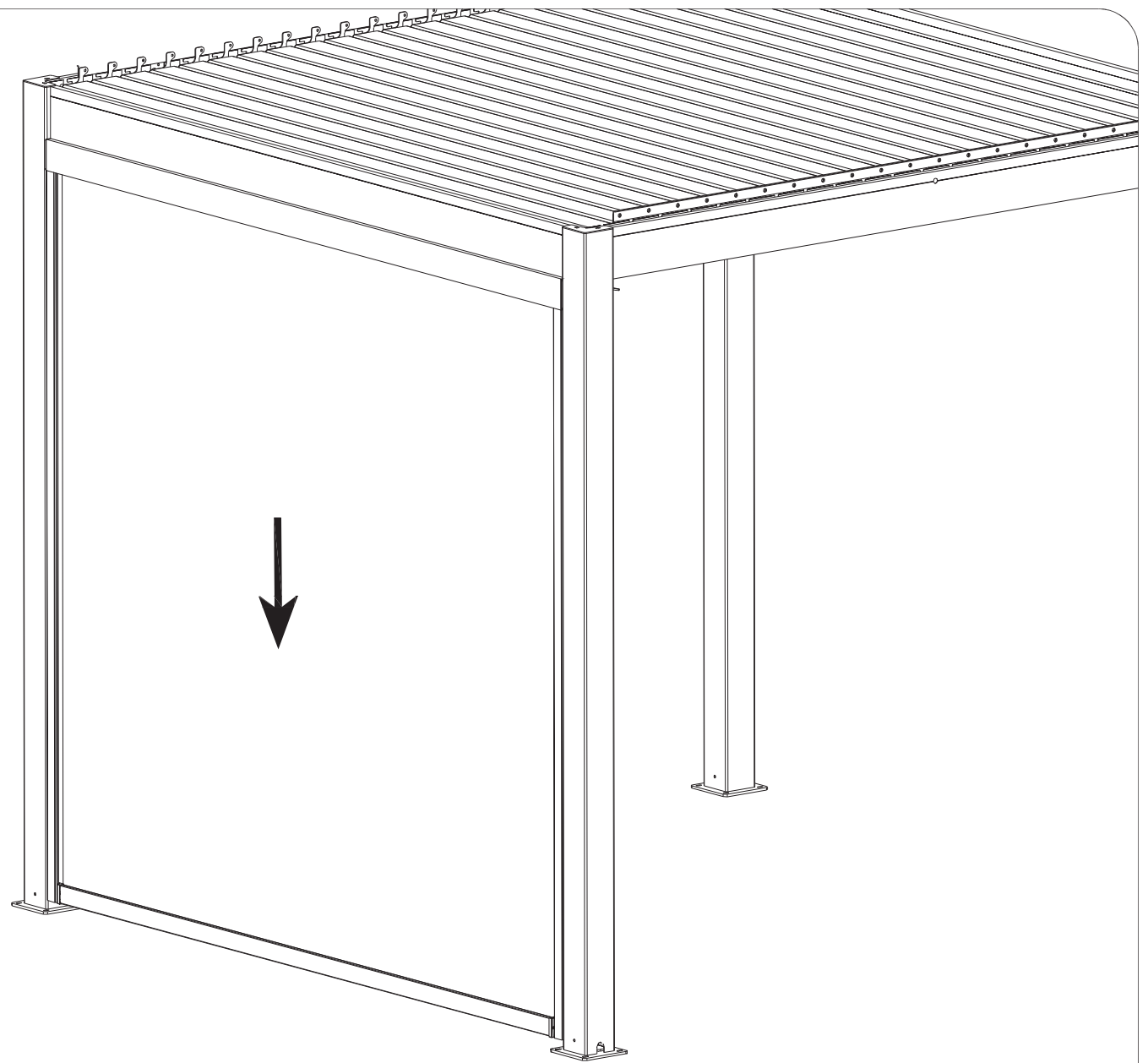
STEP8



STEP9

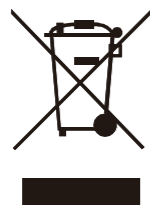


STEP10



## SAFETY NOTE

1. This appliance can be used by children aged from 8 years and above and persons with reduced physical, sensory or mental capabilities or lack of experience and knowledge if they have been given supervision or instruction concerning use of the appliance in a safe way and understand the hazards involved.
2. Children shall not play with the appliance.
3. Cleaning and user maintenance shall not be made by children without supervision.
4. If the supply cord is damaged, it must be replaced by the manufacturer, its service agent or similarly qualified persons in order to avoid a hazard.
5. **WARNING:** the drive shall be disconnected from its power source during cleaning, maintenance and when replacing parts.
6. The instructions shall state that the A-weighted emission sound pressure level of the drive is equal to or less than 70 dB(A), e.g. by writing  $LpA \leq 70$  dB(A).
7. The mass and the dimension of the driven part shall be compatible with the rated torque and rated operating time.
8. The type of driven part the drive is intended for.
9. **WARNING:** Important safety instructions. It is important for the safety of persons to follow these instructions. Save these instructions.
10. Do not allow children to play with fixed controls. Keep remote controls away from children.
11. Frequently examine the installation for imbalance and signs of wear or damage to cables and springs. Do not use if repair or adjustment is necessary.
12. Watch the moving shutter and keep people away until the shutter is completely closed.
13. **WARNING:** Important safety instructions. Follow all instructions, since incorrect installation can lead to severe injury.
14. Before installing the drive, remove any unnecessary cords and disable any equipment not needed for powered operation.



# DM35(45,59)R , DM35RQL , DM35(45)RL , DM45(59)RM , DM45RQ , DM45R/N

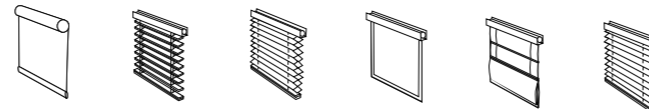
## Instruction | A-01



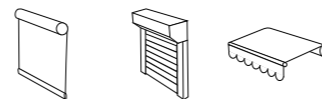
### Features

- Built-in Receiver
- Mechanical Limit
- Switch Direction
- Jog & Tilt

### Fields of Application



DM35R , DM35RQL , DM35RL , DM45RL are for motorized roller blinds , wooden venetian blinds , honeycomb blinds , projection screen , roman blinds and pleated blinds.



DM45R , DM45RQ , DM45R/N are for motorized roller blinds , roller shutter and awning.



DM45RM,DM59R,DM59RM are for motorized awning and roller door.

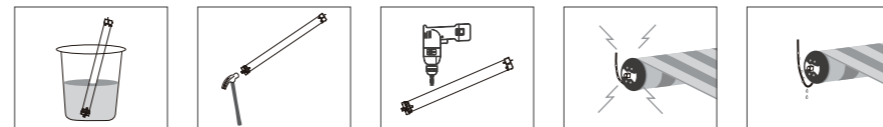
### Specifications

Working Temperature: -20°C ~ +60°C	Radio Frequency: 433.92MHz
Rated Voltage: AC 230V,50Hz; AC 120V,60Hz	Maximum continuous running time: 4 minutes

\* For more motor models and specific torque, please refer to the nameplate.

### Attention

Never drop, knock, drill or submerge the motor. Keep the power cable in right position as following. Important safety instructions to be read before installation. Incorrect installation can lead to serious injury and will void manufacturer's liability and warranty.



×

×

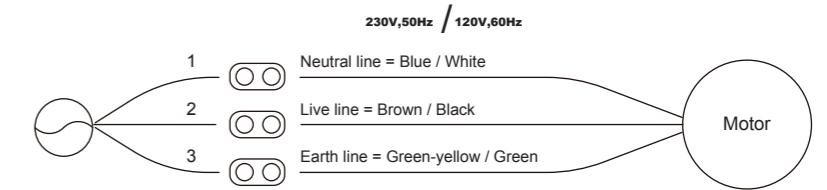
×

×

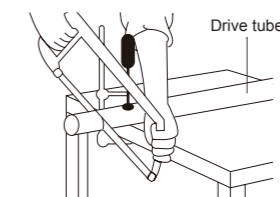
✓

### Wiring

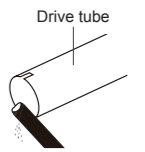
Three wires: AC 230V,50Hz; AC 120V,60Hz



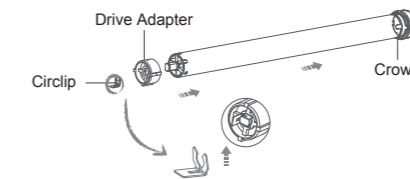
### Motor Installation



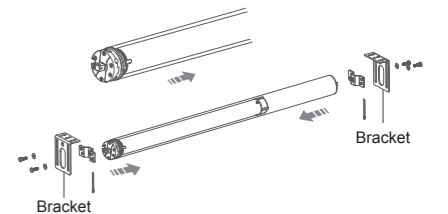
Step 1 Cut drive tube to required length.



Step 2 Ensure tube edge is clean and burr-free.



Step 3 Mount correct crown & drive adapter on the motor. Make sure drive adapter fits firmly and crown rotates freely.



Step 4 Align the notches on the crown and drive adapter with the drive tube, slide and fit the motor into drive tube. Mount idler and bracket on both ends.

### Caution

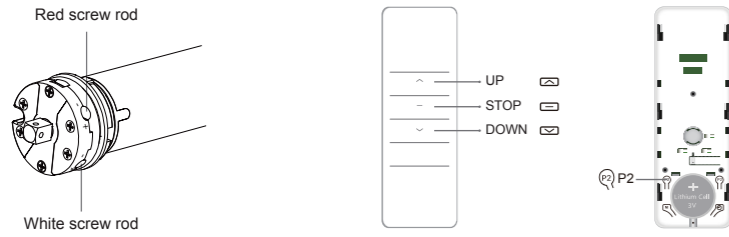
1. Do not expose motor to humid or extreme temperature conditions.
2. Do not drill into motor.
3. Do not cut the antenna and keep it clear from metal objects.
4. Do not allow children to play with this device.
5. If power cable or connector is damaged, do not use.
6. Ensure correct crown and drive adaptor are used.
7. Ensure power cable and aerial is clear and protected from moving parts.
8. Cable routed through walls shall be properly isolated.
9. Motor is to be mounted in horizontal position only.
10. Before installation, remove unnecessary cords and disable equipment not needed for powered operation.
11. Installation and programming to be performed by a qualified professional, use or modification outside the scope of this instruction may void warranty.

**Important Safety Instructions To Be Read Prior To Operation.**

**Attention**

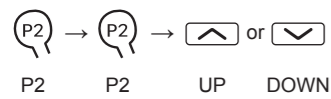
1. Pls isolate the spare wires with the wiring joint cap or insulation tape.
2. Operation:
  - ①Pls operate the buttons within 4S, the emitter will exit the setting if no operation within 4S.
  - ②The motor will beep or jog as reminder after every setting step, pls operate next step after the reminder.
3. If lose the paired emitter, just pair the new one.
4. One motor can store Max. 20 channels, after fully stored, if pair new emitter channel, only the last one will be covered circularly

**Button Instructions**



**Essential Settings**  
Step 1 to 2 must be completed to ensure proper operation.

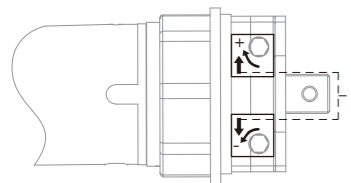
**1 Pairing**



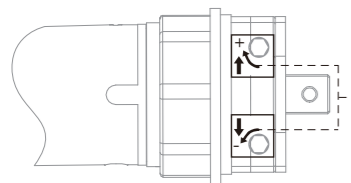
Power on the motor (1 long beep and 1 jog), within 6S, press P2 (1 beep and 1 jog), and press P2 again (1 beep and 1 jog), press UP or DOWN (3 beeps and 1 jog), the motor has been paired successfully with emitter.

\* When the motor powers on, if the motor has been paired, the motor will beep; if the motor has not been paired, the motor will beep and jog.

**2 Upper and Lower Limits Setting**



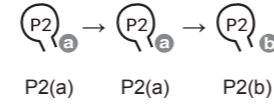
2 big arrows indicate turning direction of the roller, e.g. If roller is turning upwards, tune black worm gear to adjust stop position. If roller is turning downwards, tune white worm gear to adjust stop position.



2 small arrows with "+" "-" indicate turning direction of the worm gear CCW/CW will extend or reduce the stop position. e.g. Turn the black worm gear CW will move the upper stop position of roller further up, it's plus "+" from rotation of roller, CCW to move the stop position down, it's a minus "-" from rotation of roller. Tune the white worm gear CW will move the bottom stop position of roller further down, CCW to move the bottom stop position of roller up.

\* Roller blinds can be tricky, roller may be rolling upwards, but blinds can actually move downwards. Ignore the blinds, only focus on the direction of roller  
To move stop position further towards the direction of roller, turn towards "+" to increase.  
To move stop position backwards from the direction of roller, turn towards "-" to decrease.

**3 Pair Additional Emitter**



Press P2 (1 beep and 1 jog) and P2 (1 beep and 1 jog) on existing emitter, press P2 on new emitter to add (3 beeps and 1 jog), new emitter is paired to the motor.

\* (a) as existing emitter, (b) as new emitter to pair.

**4 Deleting All Emitters**



Press P2 (1 beep and 1 jog), press STOP (1 beep and 1 jog), and press P2 (3 beeps and 1 jog), all emitters are deleted.

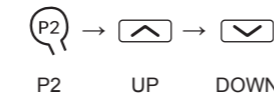
**5 Activate / Deactivate Jog / Tilt Mode**

Method one



Press P2 (1 beep and 1 jog), press UP (1 beep and 1 jog), and press P2 (3 beeps and 1 jog), the jog function is activated or deactivated.

Method two



Press P2 (1 beep and 1 jog), press UP (1 beep and 1 jog), and press DOWN (3 beeps and 1 jog), the jog function is activated or deactivated.

\* Ordinary emitter w/o tilt button: This function can be activated or deactivated by this operation. Short press UP or DOWN button, the motor will run in jog, long press more than 2S, the motor will run continuously; For emitter with tilt button, no need to operate.

**6 Enable / Disable Sun Detection**

1 Enable Sun Detection (factory default)



Press UP and STOP buttons simultaneously once (3 jogs), Sun detection is enabled.

2 Disable Sun Detection



Press DOWN and STOP buttons simultaneously once (1 jog), Sun detection is disabled.

**7 Self-check Function**

If the motor does not receive the self-check command from the wind-sun sensor for 30 minutes, the awning will be closed (the motor will be in a jog status after closed). After power on again, if no wind-sun sensor command is received, the self-check function will not be activated.

**8 Wind-sun Sensor Control**

When the motor receives the strong wind command from the wind-sun sensor, the awning will close within 3 minutes, and the emitter cannot control the sensor within 8 minutes (if the strong wind command is received again within 8 minutes, the motor cannot be controlled again for 8 minutes).

**Quick Index**

Settings	Steps
1 Pairing	P2 → P2 → Up / Down
2 Pair Additional Emitter	P2(a) → P2 (a) → P2(b)
3 Deleting All Emitters	P2 → Stop → P2
4 Activate / Deactivate Jog / Tilt Mode	P2 → Up → P2
	P2 → Up → Down
5 Enable / Disable Sun Detection	Up + Stop
	Down + Stop

**Troubleshooting**

Issues	Possible causes	Solution
The motor has no response	Power Failure Or Incorrect Connection	Double check power and cable connections, follow wiring instructions.
	emitter battery is low capacity	Replace battery
	Radio interference / shielding	Check antenna on motor is intact and exposed. Check for possible source of radio interference.
The emitter can't control single motor	Out of radio control range	Try control within closer range
	Multiple motors are paired to the same channel.	Always reserve an individual correctly (refer to motor functions) Try to use multi-channel emitters to control multi-motor projects, ensure each channel to control one single motor
The motor doesn't run or starts too slowly or make loud noise	Connections are incorrect.	Check connections
	Incorrect installation or overload	Check installation or overload
The motor stops during the going up or going down.	The motor has reached the lower limit	Adjust the new lower limit
	Running time exceeds 4 minutes	Let the motor cool for about 20 minutes