











## Manual Zipper Screen Installation Instruction

Section 1 -Tools	-----	P2
Section 2 -Installations	-----	P3-P9



## Section 1 Tools required:

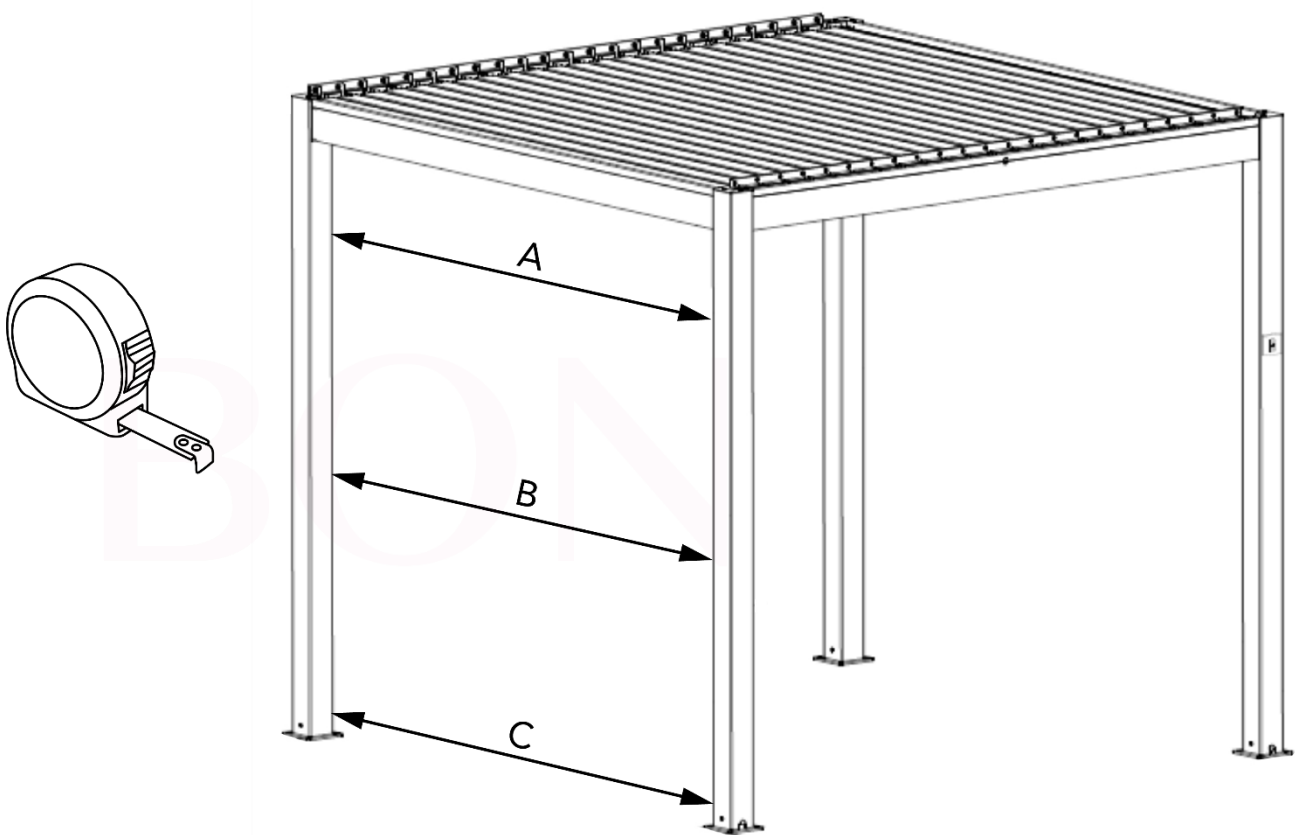
 Electric Drill	 Philips Head	 Screw Driver (Flat Head)	 Allen Key Set (3mm)
 Self Tapper Screws	 Levelling Instrument	 Motor Regulator	 Electrical Adhesive Tape
 Wire Clamp	 Measuring Tape		

\*\*\*Motor Regulator, Electrical Adhesive Tape, Wire Clamp is for motorize unit only.

## Section 2 Installation

### Step 1:

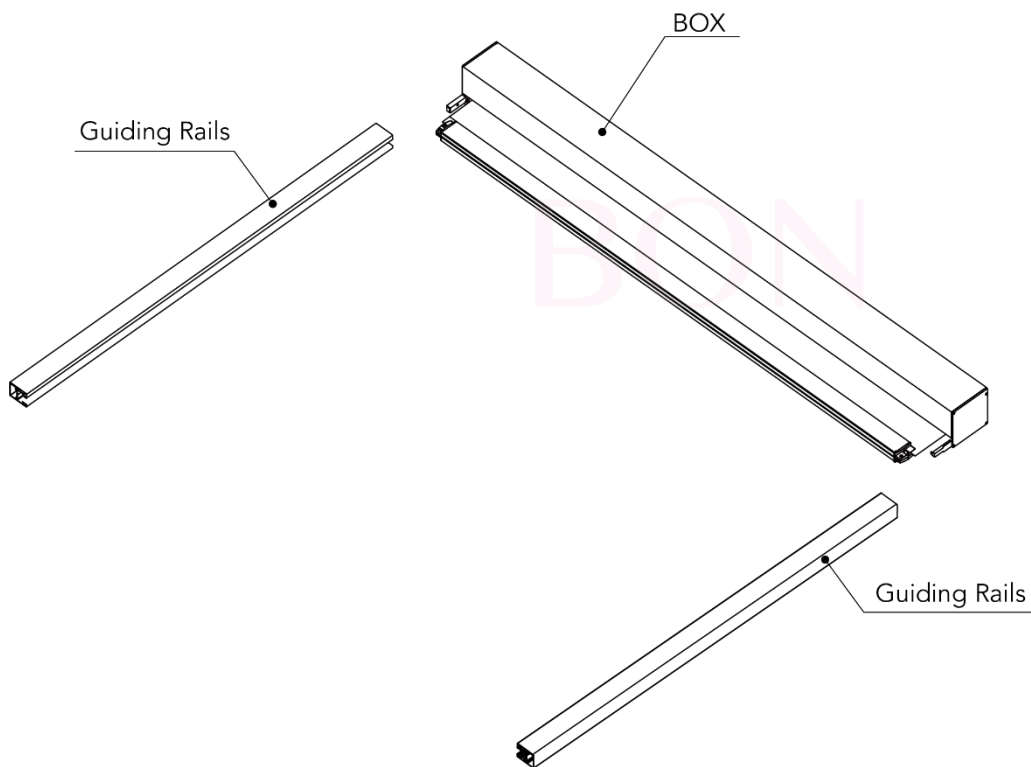
Before installing your screen / shade, measure the three width to make sure they are equal before starting. This is important to make sure the screen will function properly.



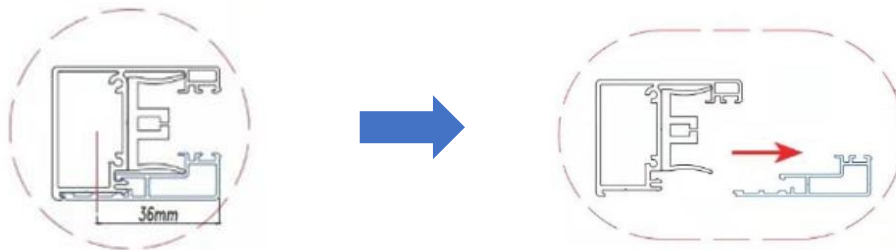
**Step 2:**

Clear work area and lay all parts to ensure all parts are contained in the box

**\*\*\*NOTE: Before installing, double check the sides are level. (not level could cause the screen to fail overtime) \*\*\***



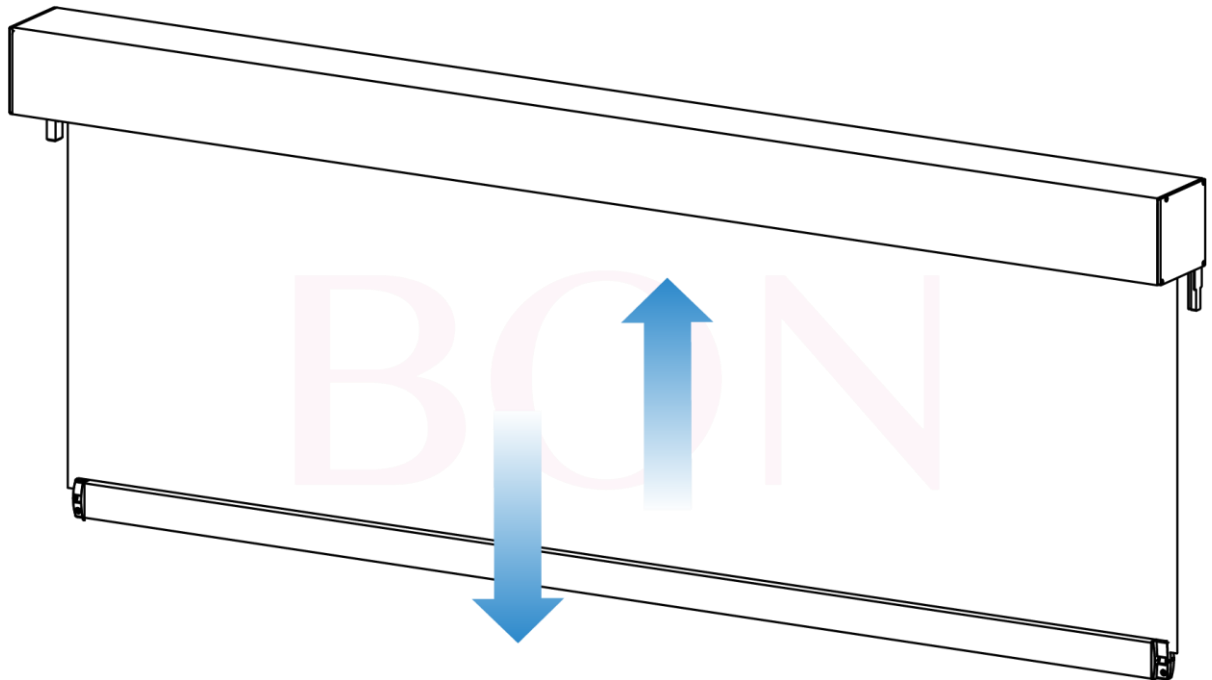
**Remove front cover**



### Step 3:

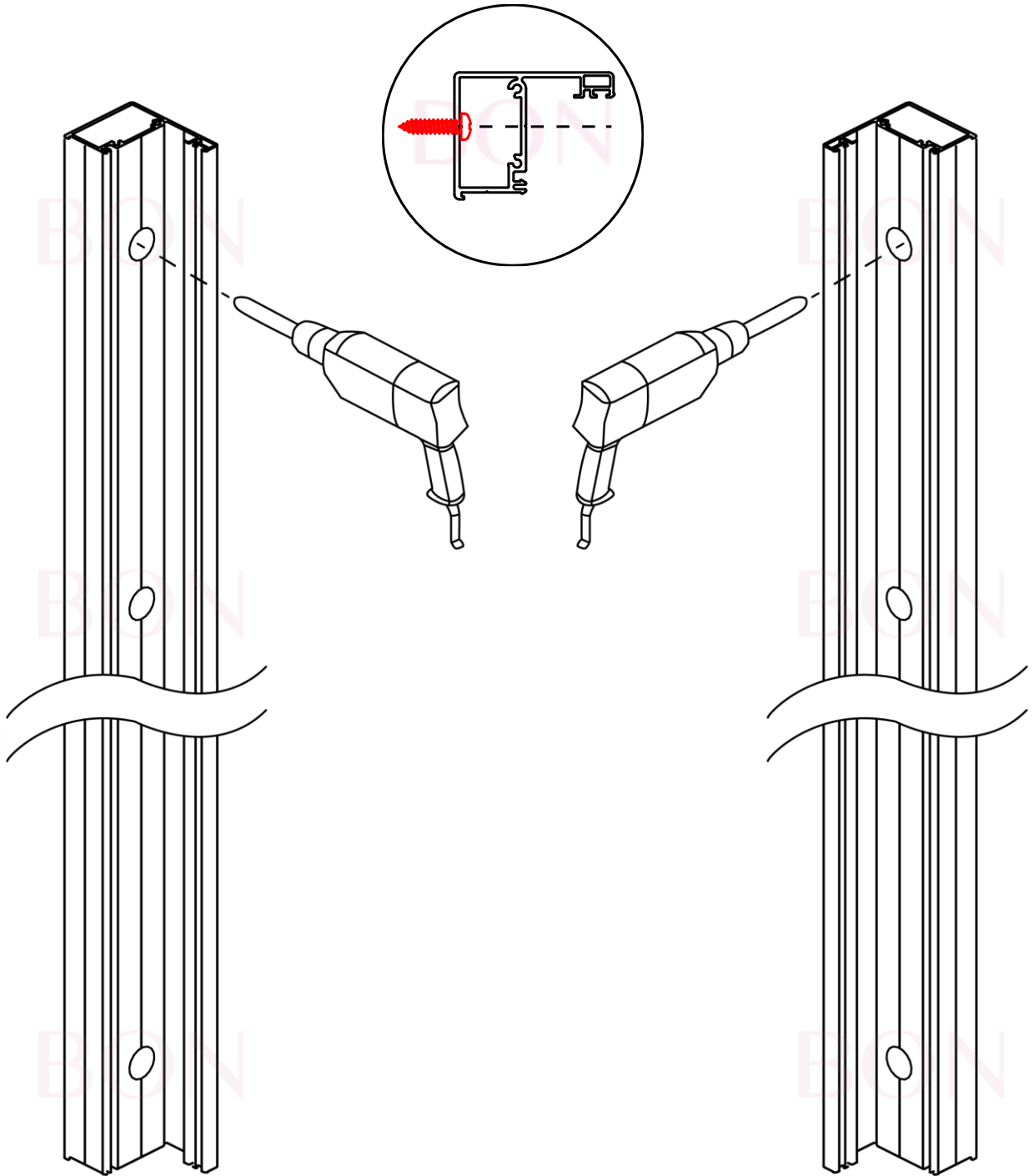
Before installing, lift up the screen and pull down and push upward to double check if the screen can retract back to the top without falling down after you push up. If it slide down after push up, you will need to follow the increase tension instruction on our website Q&A section to increase its tension little by little until it is completely stay up.

**\*\*\*NOTE: Failed to check tension could result in taking the screen down and reinstall it again.**



**Step 4:**

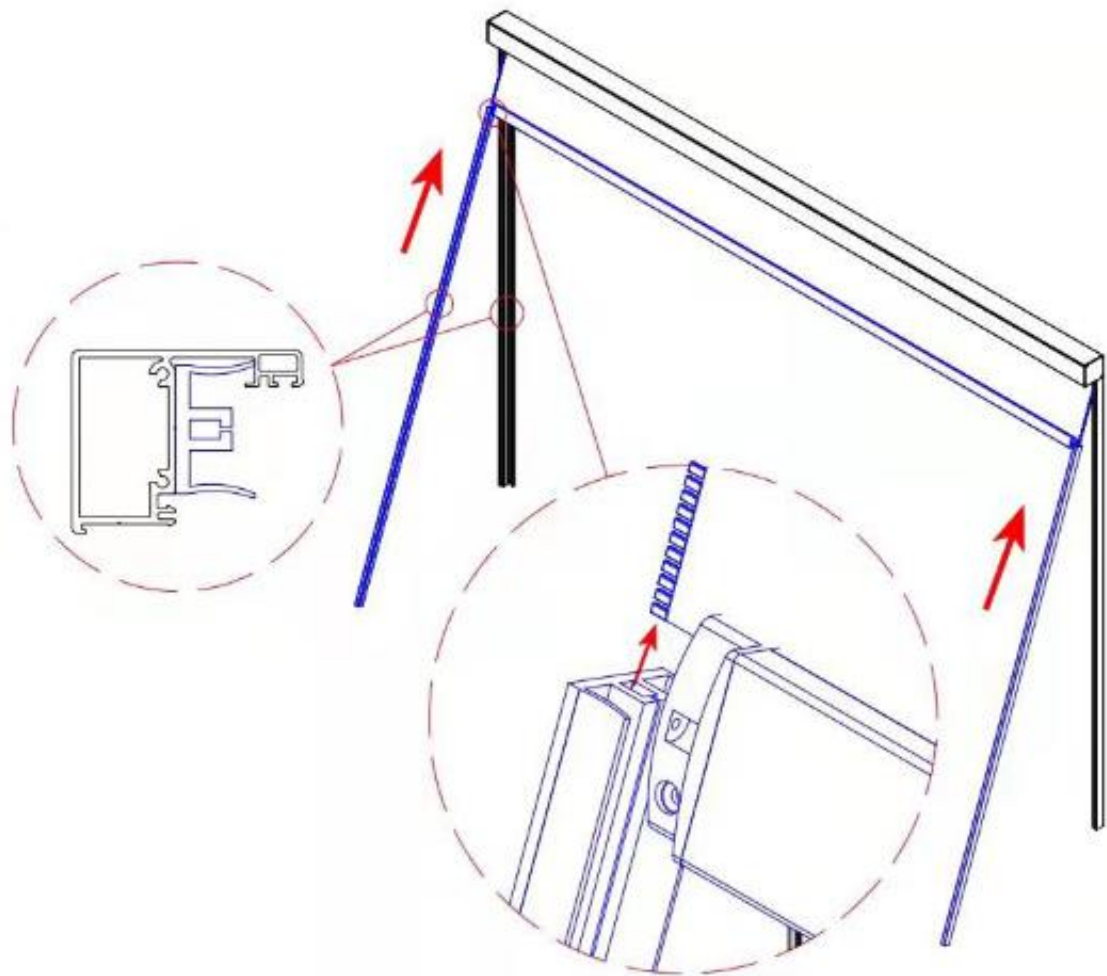
Pre Drill holes for the screw to connect the side channel and the pergola post later.





**Step 6:**

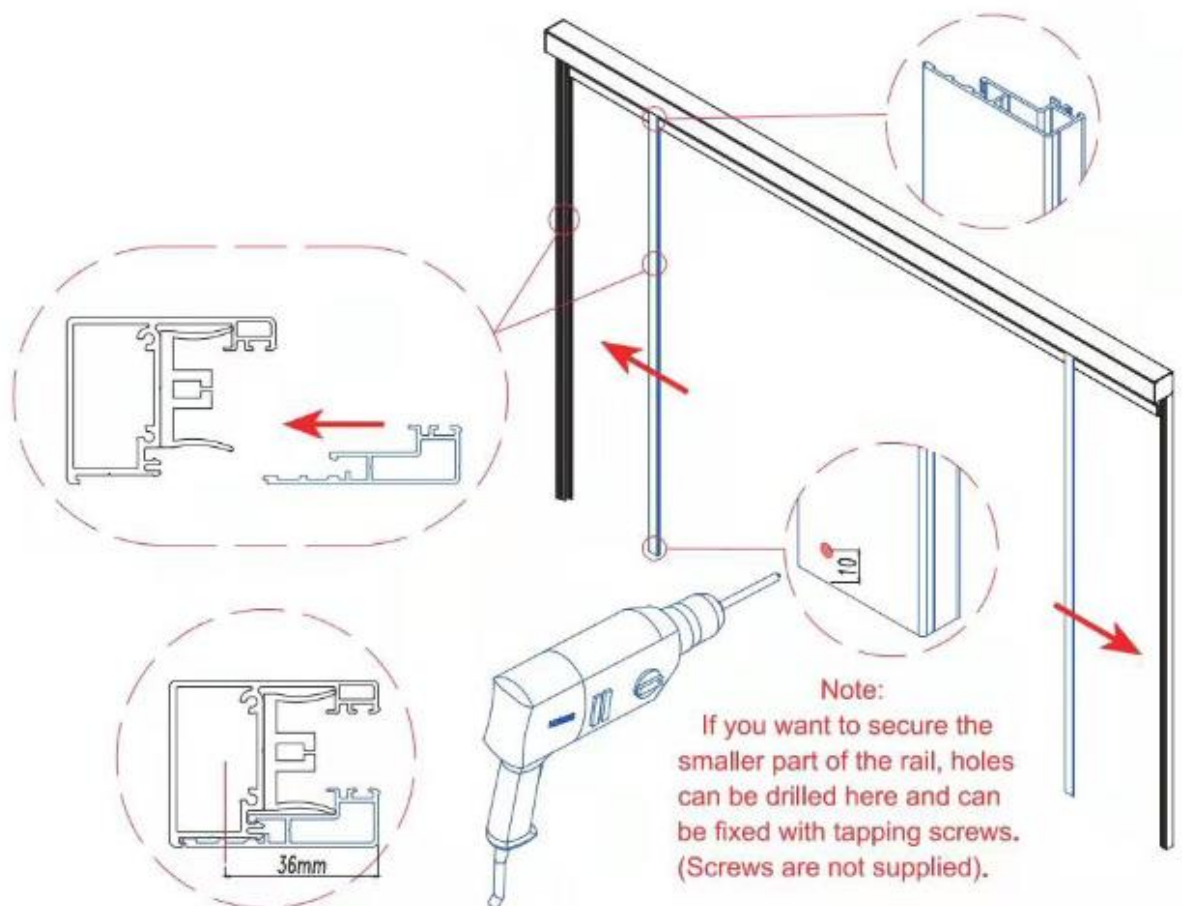
Insert the zipper with fabric into the plastic zipper guide insert rails and align it to the side rail .





### Step 7:

Assemble the front rail tight by pushing the front rail into the back rail (while the plastic zipper guide insert is within).



### Step 8:

Pull the fabric down only after the screen is fully assembled for testing.