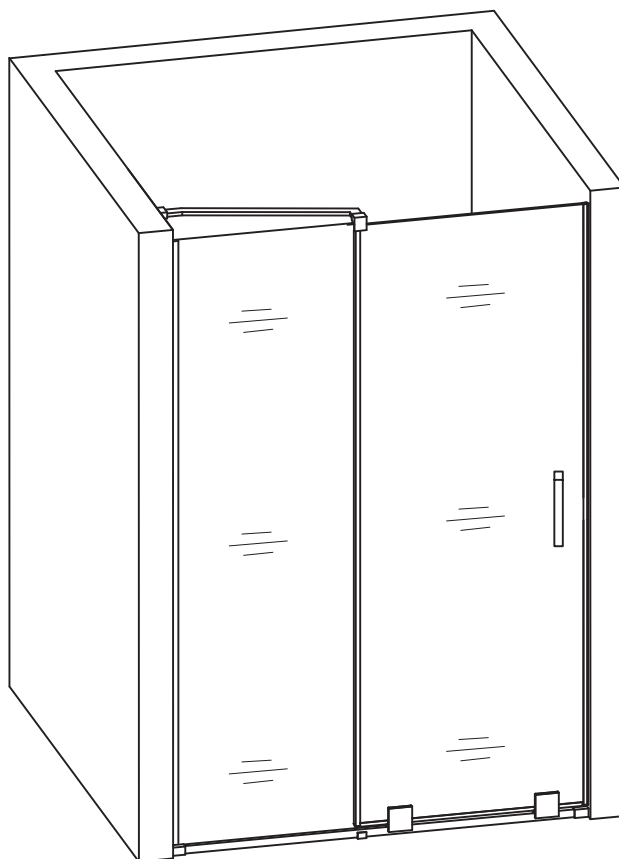


Item: SD-AZ055-01**
ANZZI GLASS SHOWER DOOR
INSTALL & OPERATION MANUAL
V1.0



DON'T WAIT! REGISTER NOW!

Register your product within 90 days to ensure your product is recognized as an official purchase and is eligible for warranty coverage.

Mail in the completed registry card (Pg. 2) or register online at www.swcorp.com/register.



PRODUCT REGISTRATION*

IMPORTANT: YOUR WARRANTY WILL NOT BE RECOGNIZED UNLESS THIS CARD IS FULLY COMPLETED AND RETURNED OR ONLINE REGISTRATION IS COMPLETED.

To ensure that your warranty is registered and confirmed please do one of the following:

- 1. Register online at www.swcorp.com/register.** You will be asked to fill out the same information you would in the registration card. Registering online is fast, secure and ensures we receive your information.
- 2. Complete, cut-out and mail the registration card below.** By returning this registration card we confirm the date of purchase for your new product. This confirmation will allow us to process any warranty claims.

Mail the card to: 5701 NW 35 Avenue, Miami, FL 33142



CUT ALONG
DOTTED LINE.

Product Registration Card

Name..... Address

City..... State..... Zip.....

Phone..... Email.....

Date of Purchase

Installer's Name Phone

I have read the Owner's Manual carefully and understand and agree that any installation, operation or maintenance of the product must be done strictly in accordance with instructions and guidelines contained in the owner's manual and installation guide.

Signature..... Date.....

Have questions? Call us at **1-844-44-ANZZI** or visit us at www.ANZZI.com

◆ General Information

Please inspect the product immediately upon receipt for transit damage, missing packs/parts or manufacturing fault. Damage reported later cannot be accepted. Please handle the product with care avoiding knocks and shock loading to all sides and edges of the glass.

Notes: Safety glass can not be re-worked.

Please read these instructions carefully before start of installation.

Special care should be taken when drilling walls to avoid hidden pipes or electrical cables.

Note: This product is heavy and may require two people to install.

Aftercare instructions

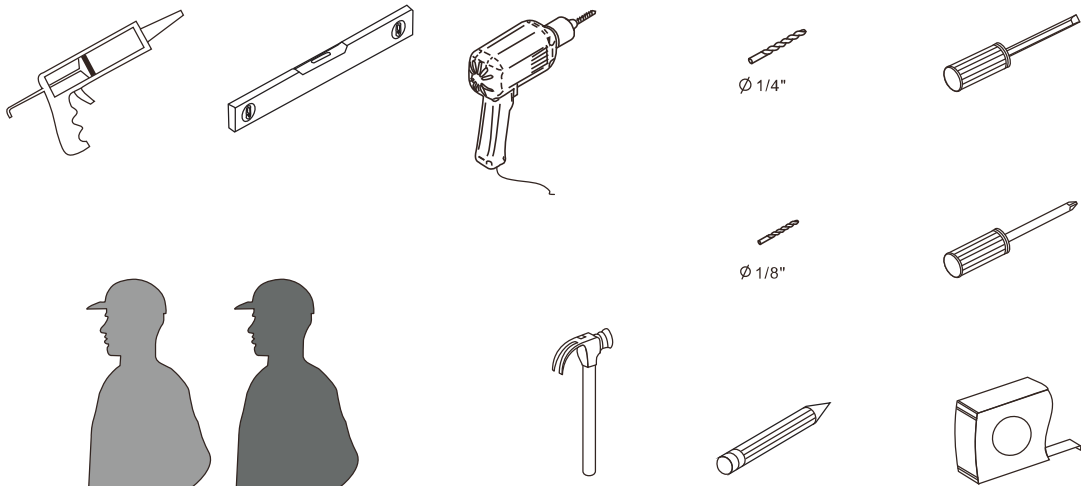
After use, your shower should be cleaned with soap and water. This is particularly important in hard water districts where insoluble lime salts may be deposited and allowed to build up.

Cleaners of a gritty or abrasive nature should not be used. Care should be taken to avoid contact with strong chemicals such as organic solvents and strippers.

Glass cleaners can be used but with caution, if in doubt contact the manufacturer of the cleaner in question.

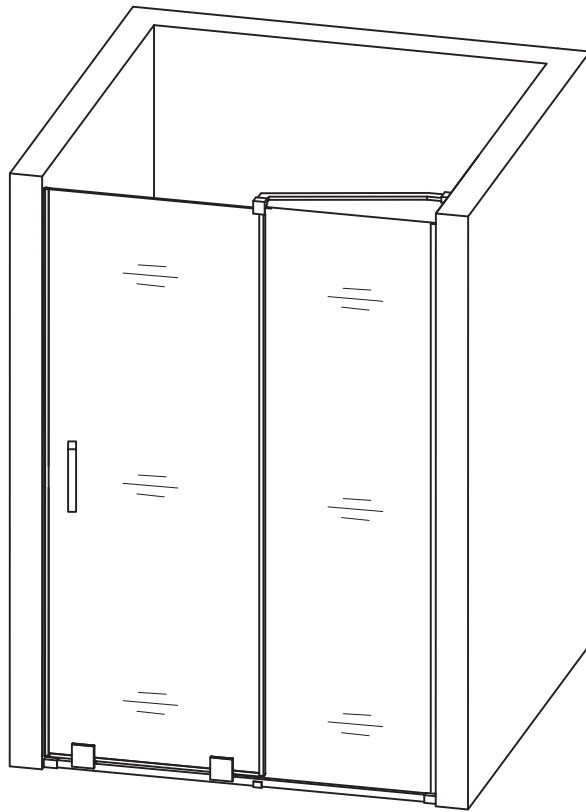
Please keep these instructions for aftercare and customer service details.

Tools Required

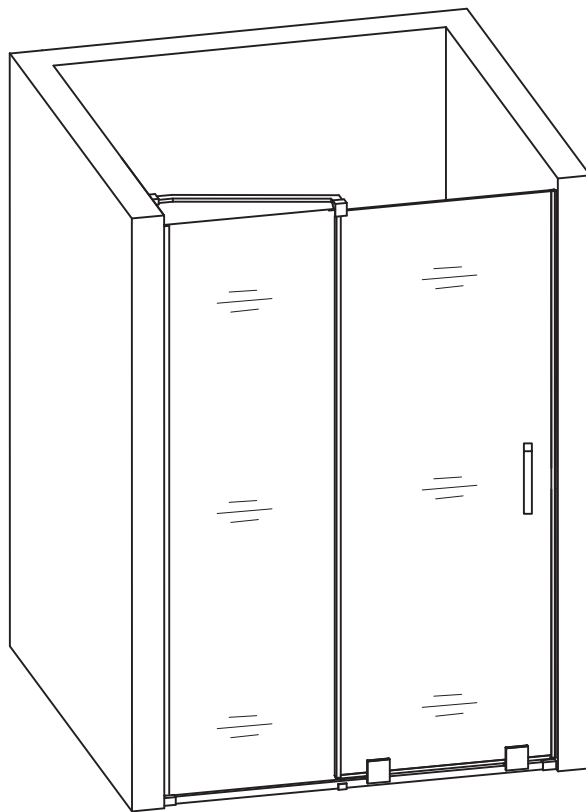


This product is heavy and may require two people to install.







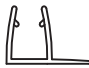

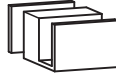
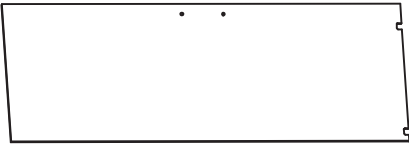

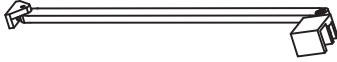
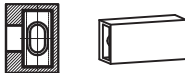


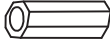







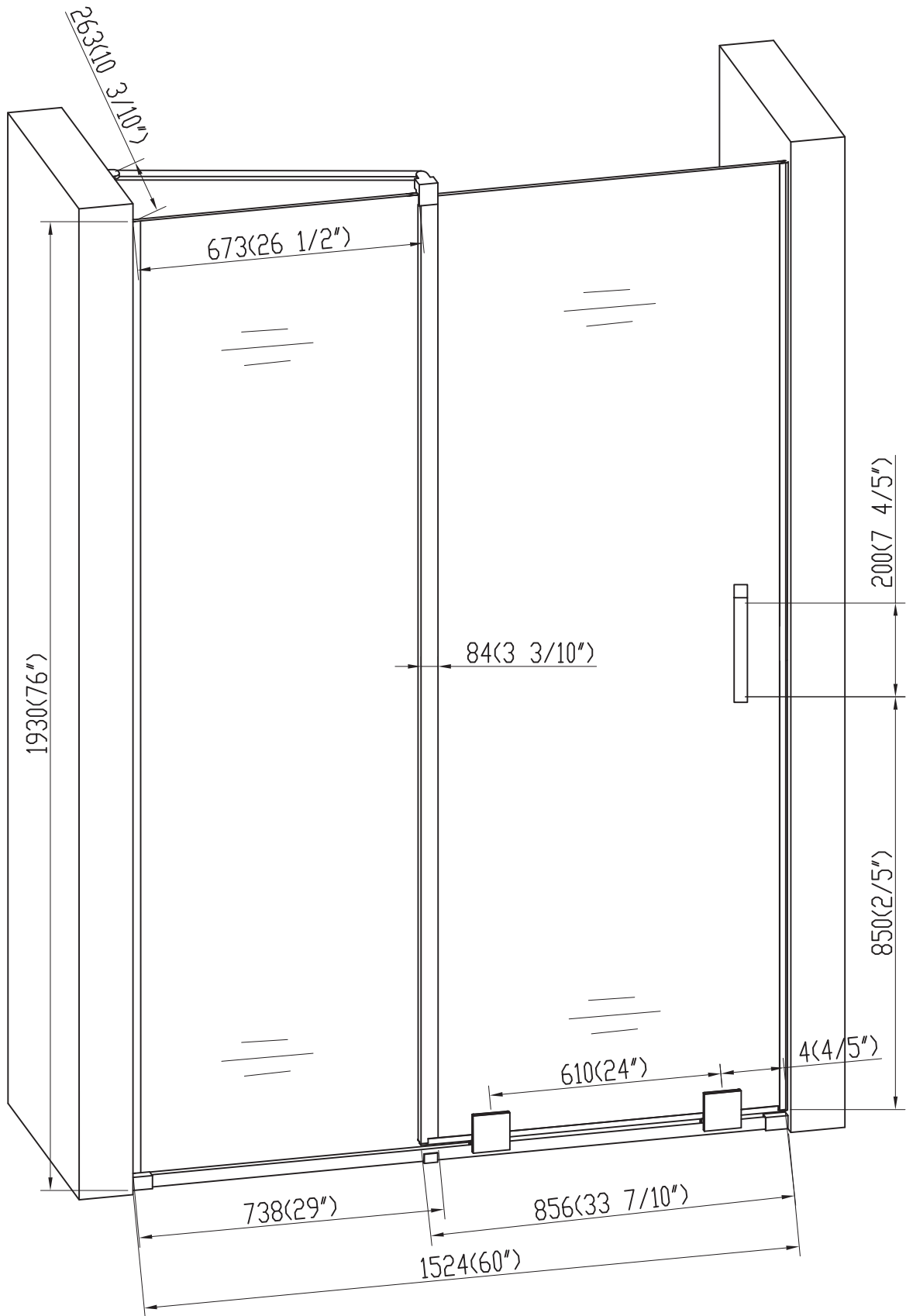
Left-hand door installation shown



Right-hand door installation shown

◆ Box Contents:

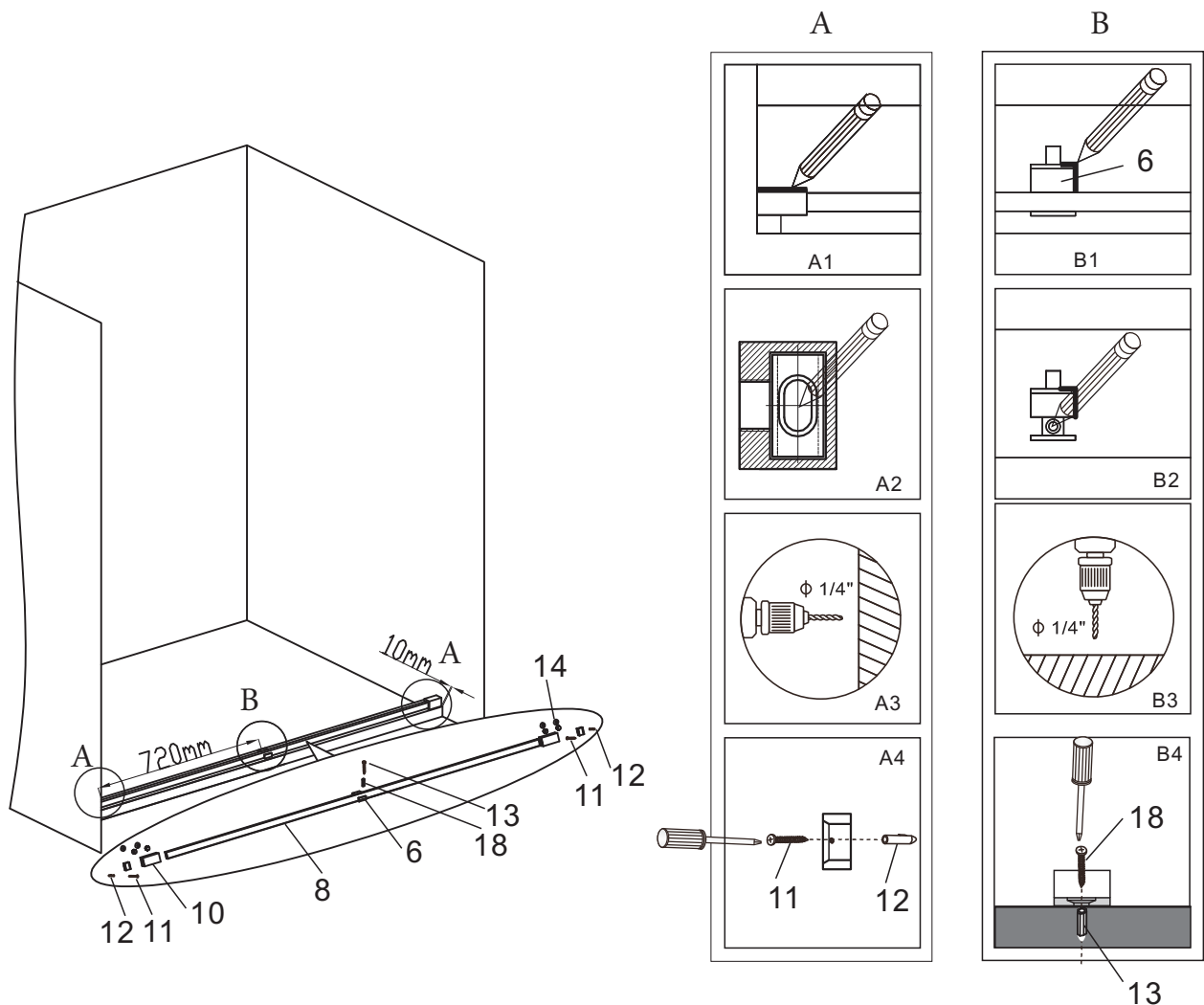
1xInstallation Instruction.	➔	
1.Wall Profile X1	➔	
2.Lower Pulley X2	➔	
3.Arch strip X2	➔	
4.Sweep Seal X1	➔	
5.Hinge-Side Vinyl Seal X1	➔	
6.Lower rail fixings X1	➔	
7.Sliding glass panel X1	➔	
8.Lower rail X1	➔	
9.Pull rod X1	➔	
10.Lower rail wall joint X2	➔	
11.Truss Head Screw St5x40 X7	➔	
12.Wall Anchor X7	➔	
13.Wall Anchor (green) X1	➔	
14.Decorative cover X7	➔	
15.Fixed glass panel X1	➔	
16.Handle X1	➔	
17.Hard rubber strip X1	➔	
18.Truss Head Screw St4x20 X1	➔	



Step 1

1.1. Simple assembly of the bottom rail, Place it at the installation location and make sure the wall connector (10) is 10mm away from the outside of edge, Mark on the positions as the picture shown .(A1)

The lower fixing part (6) is 720mm away from the side wall. Mark on the positions as the picture shown (B1)



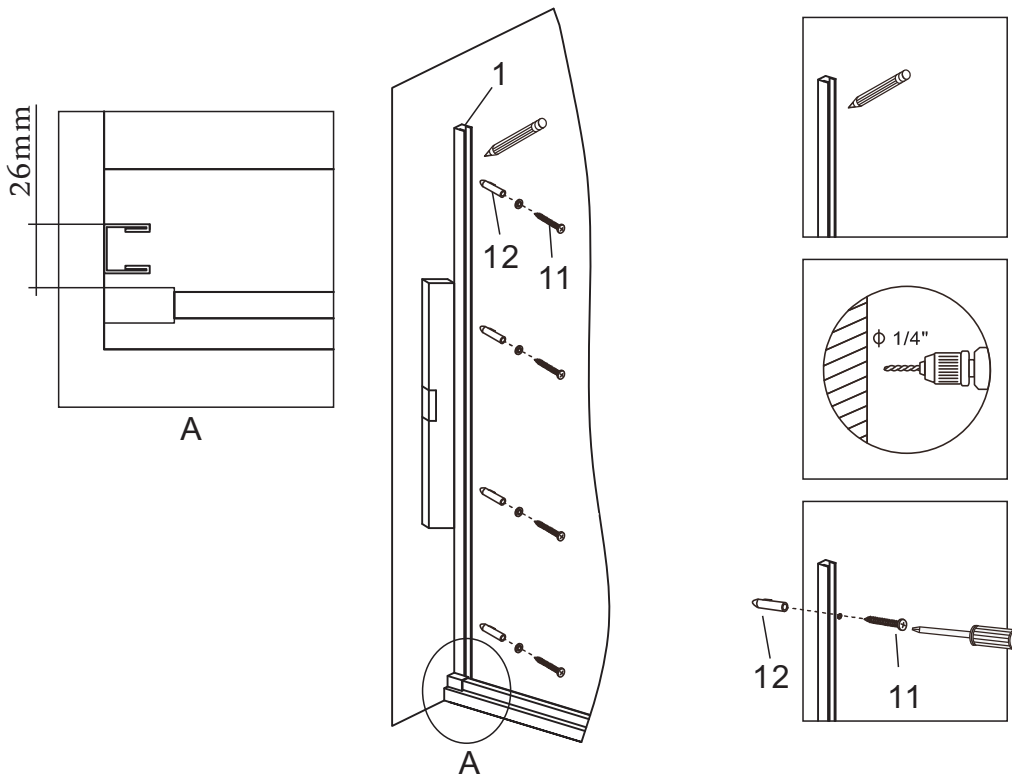
1.2. Remove the wall connector (10) and the lower fixing part (6) as shown in the picture, and mark the position of the screw hole.(A2/B2)

1.3. Drill holes with $\phi 1/4"$ drilling(A3/B3)

1.4. Drive the plastic anchor (12) with Truss Head Screw (11) and fix. (A4)
Drive the wall anchor green (13) into the lower fixing part with Truss Head Screw (18) and fix. Fix the bottom rail and put on decorative cover (14) as shown. (B4)

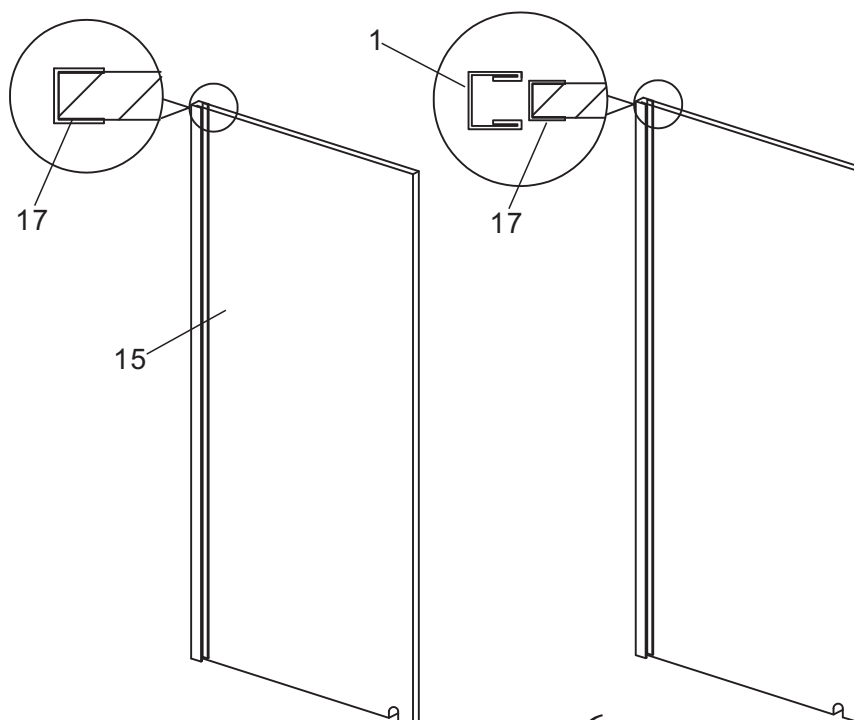
Step 2

2.1: Place the wall profile (1) on the wall as shown in the picture, make sure the distance from the profile outside to the inside of the wall connector (10) is 26 mm. Use a horizontal ruler to make it vertical to the ground and mark the holes. Drill the hole with $\phi 1/4"$ drilling and put the plastic anchor (12) to the wall profile with the screws (11) and



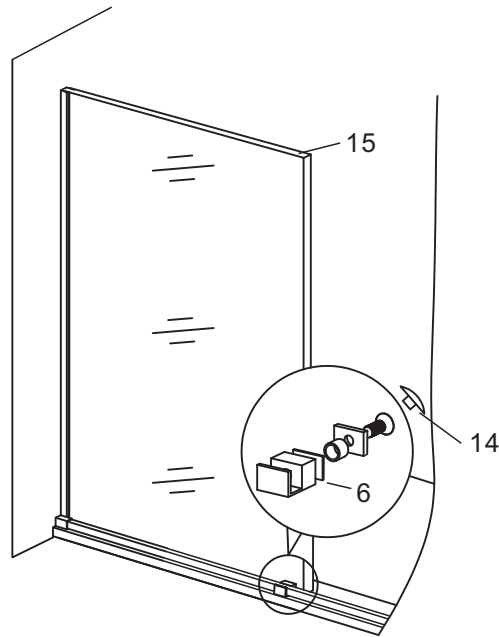
Step 3

3.1: place the hard rubber strip (17) into the unnotched side of the fixed glass panel (15), and then clamp it against the wall profile (1) as shown in the picture



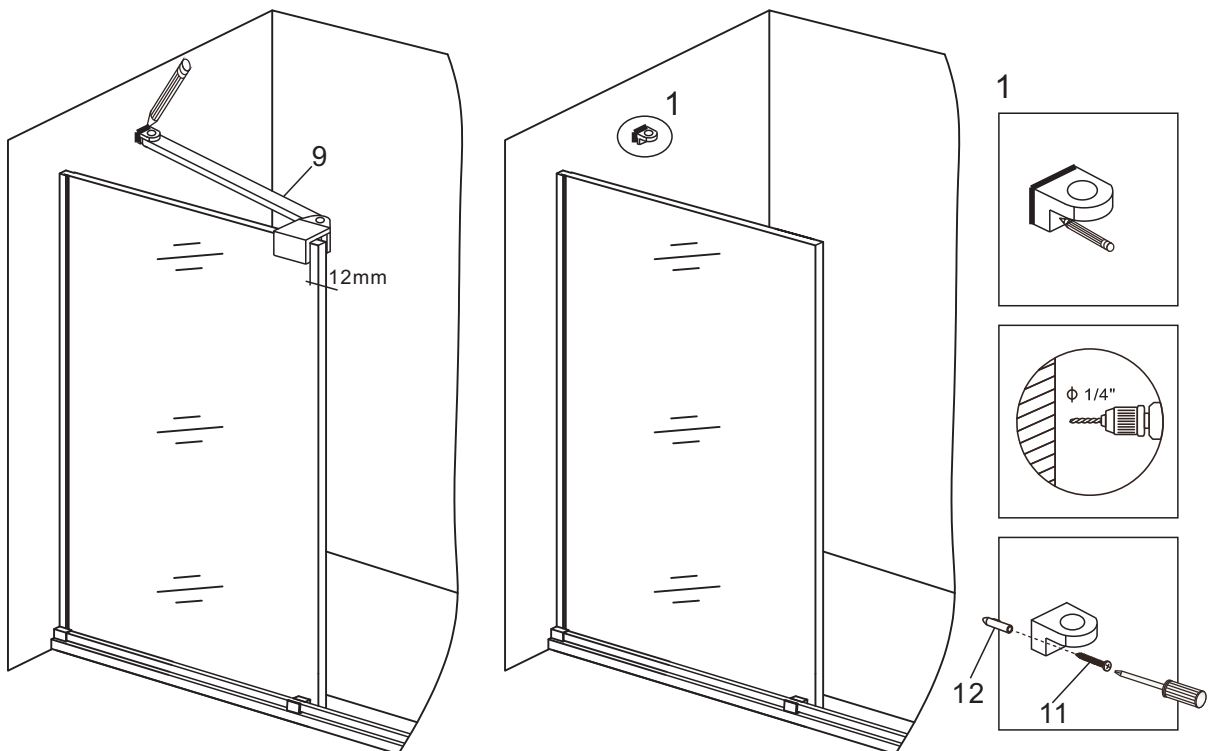
Step 4

put the the notch of the glass (15) into lower fixing part (6) , lock down the cover with screw cover (14) as shown in the picture .



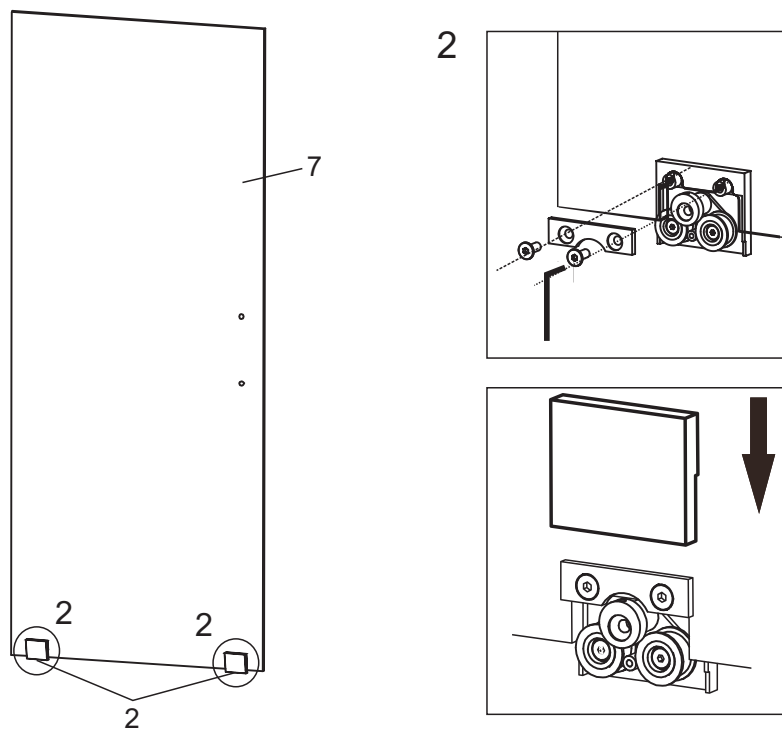
Step 5

5. Install the pull rod (9) on the fixed glass and leave it 12mm away from the glass panel edge. As shown in the picture , mark position on the wall when the pull rod (9) is horizontal. Remove the pull rod mark down scre hole position on the wall as shown in picture 1, use a $\phi 1 / 4"$ drilling to drill the hole, drive it into the plastic anchor (12) with the screw (11) and fix.



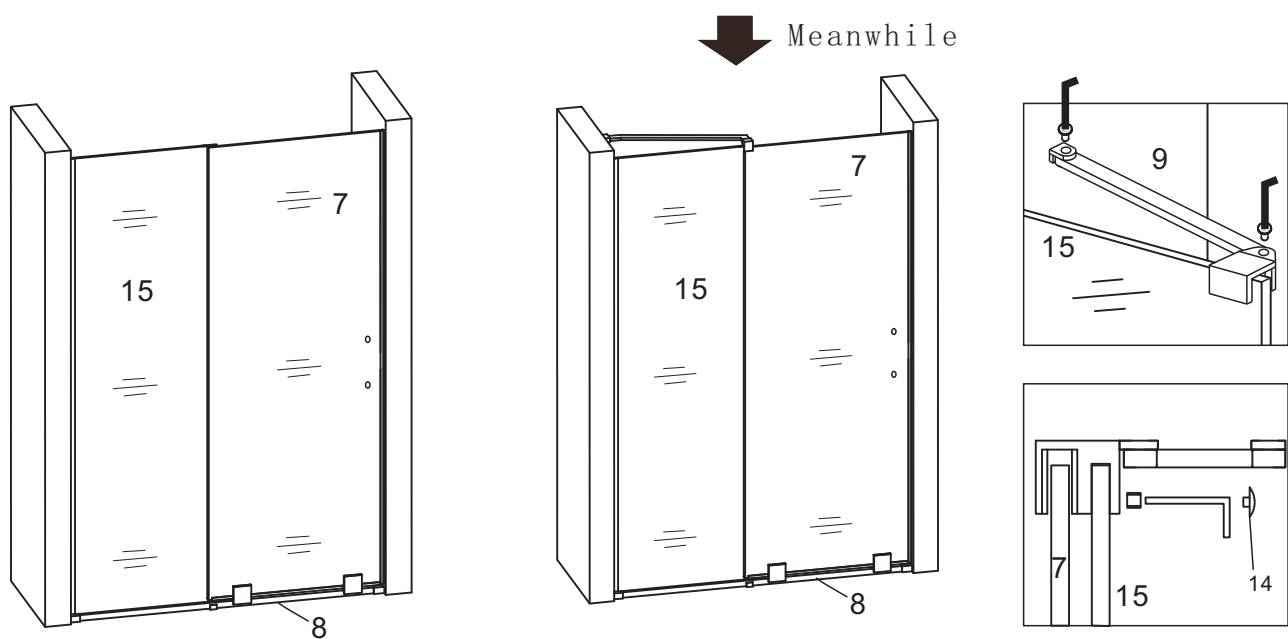
Step 6

Install the bottom lower pulley (2) into the sliding glass panel (7) as shown



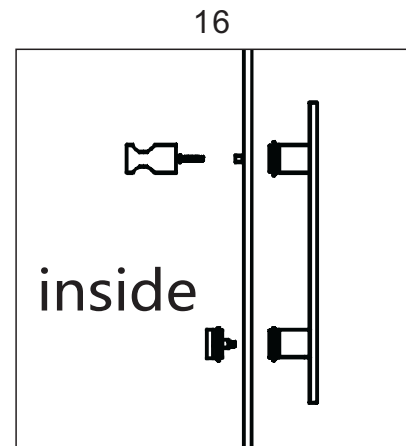
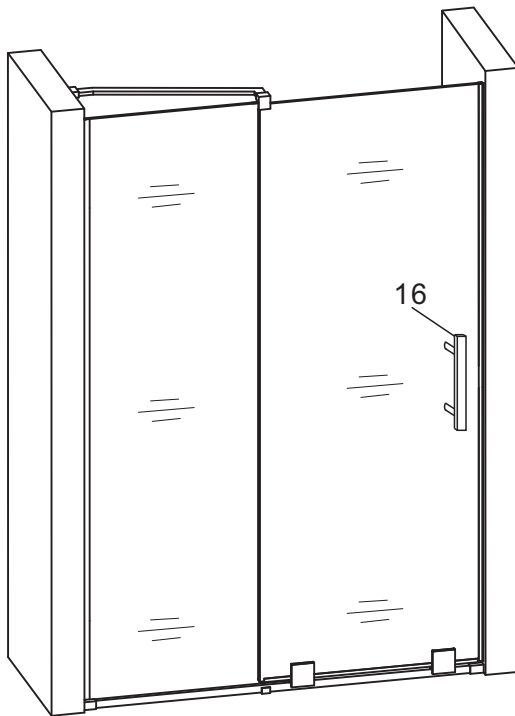
Step 7

7. Install the sliding glass panel with bottom pulley on the bottom lower rail (8), and mount the the fixed glass panel (15) and the sliding glass (7) into the pull rod at the same time. Tighten the screws as shown in the picture. Put on the decorative cover(14)



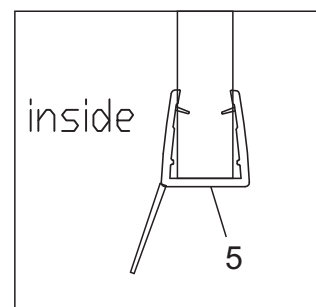
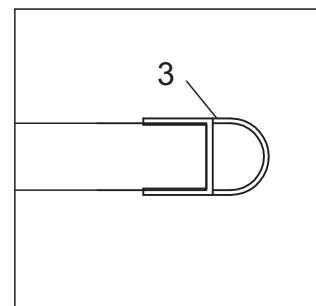
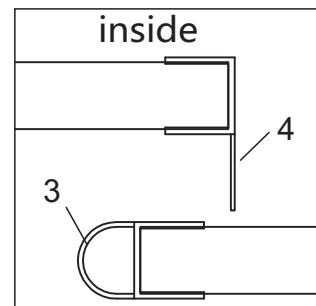
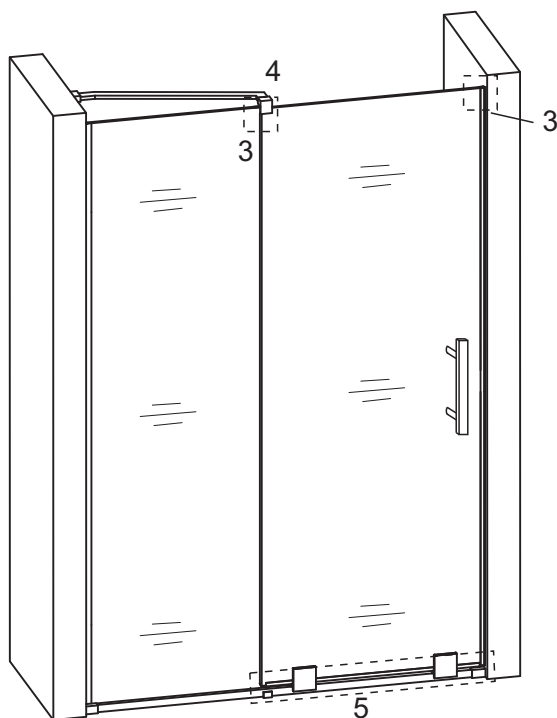
Step 8

Install the handle (16) as shown in the picture



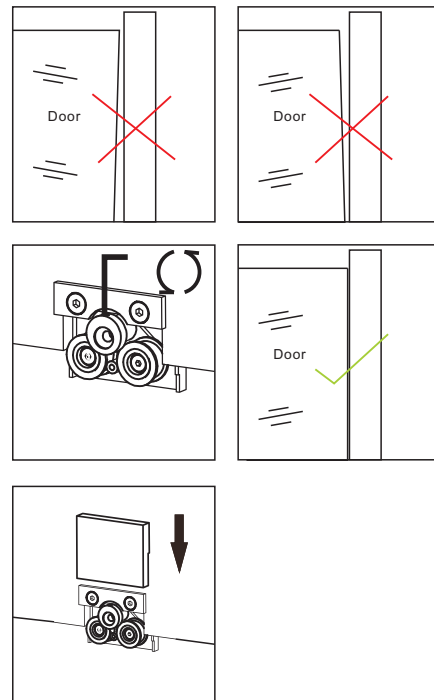
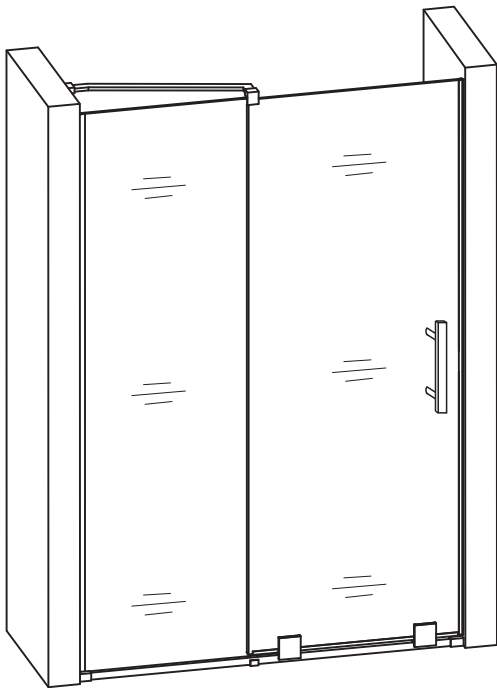
Step 9

Install the (3)(4)(5) seal strips as shown in the picture



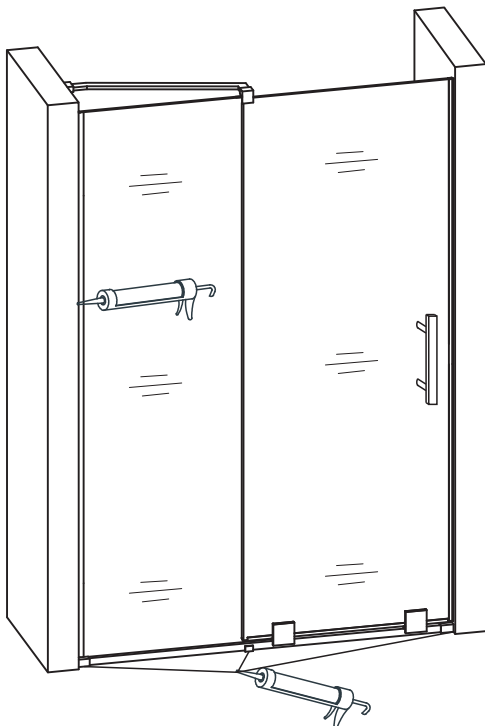
Step 10

10. If the sliding glass cannot be vertical to bottom, you can adjust the bottom pulley as shown in the picture, then put the decorative cover on the pulley as shown in the picture.



Step 11

After the installation, adhesive sealant on the outside of the product as shown, and it can only be used after 24 hours adhesive .



The sealant should be applied to the outside edge.



Allow 24 hours for silicone to **dry** before use.