

LANIKAI



Lanikai Shower System

Model #1028-BN-2.5GPM, 1028-CH-2.5GPM,
1028-BN-1.8GPM, & 1028-CH-1.8GPM

Owner's Manual



Before you begin 



3D-GUIDED INTERACTIVE ASSEMBLY
INSTRUCTIONS CAN BE FOUND IN BILT®
DOWNLOAD THE **FREE APP**



SCAN FOR BILT 3D INSTRUCTIONS



Powered by BILT Intelligent Instructions™

Lanikai Shower System Model #1028

Please Read The Following Instructions COMPLETELY Before Beginning!

Our goal is to ensure your installation goes smoothly and safely. Please read these instructions carefully and follow recommendations for plumbing and mounting. After reading instructions, if you determine you do not have the necessary skills and/or tools, we recommend that a licensed plumbing contractor complete the installation.

If you encounter any problems during installation
PLEASE VISIT CUSTOMER SUPPORT AT
WWW.PULSESHOWERSPAS.COM
Before returning your Shower System to the store

You Will Need The Following Tools

Soft pencil or felt pen to mark tile

4mm & 5mm allen wrench

Safety glasses

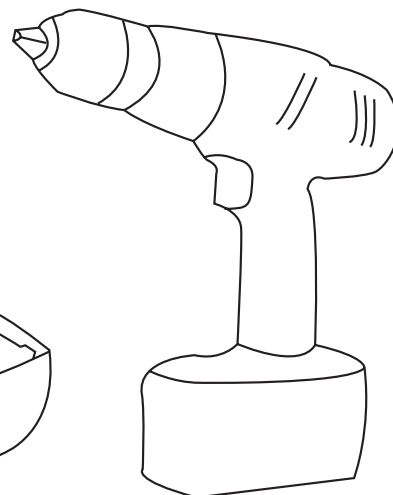
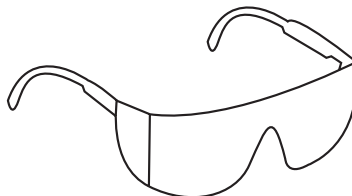
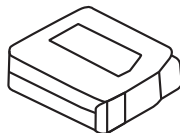
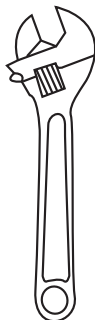
Tape measure

Level

Channel locks or adjustable wrench

Drill (preferably cordless)

Masonry drill bit

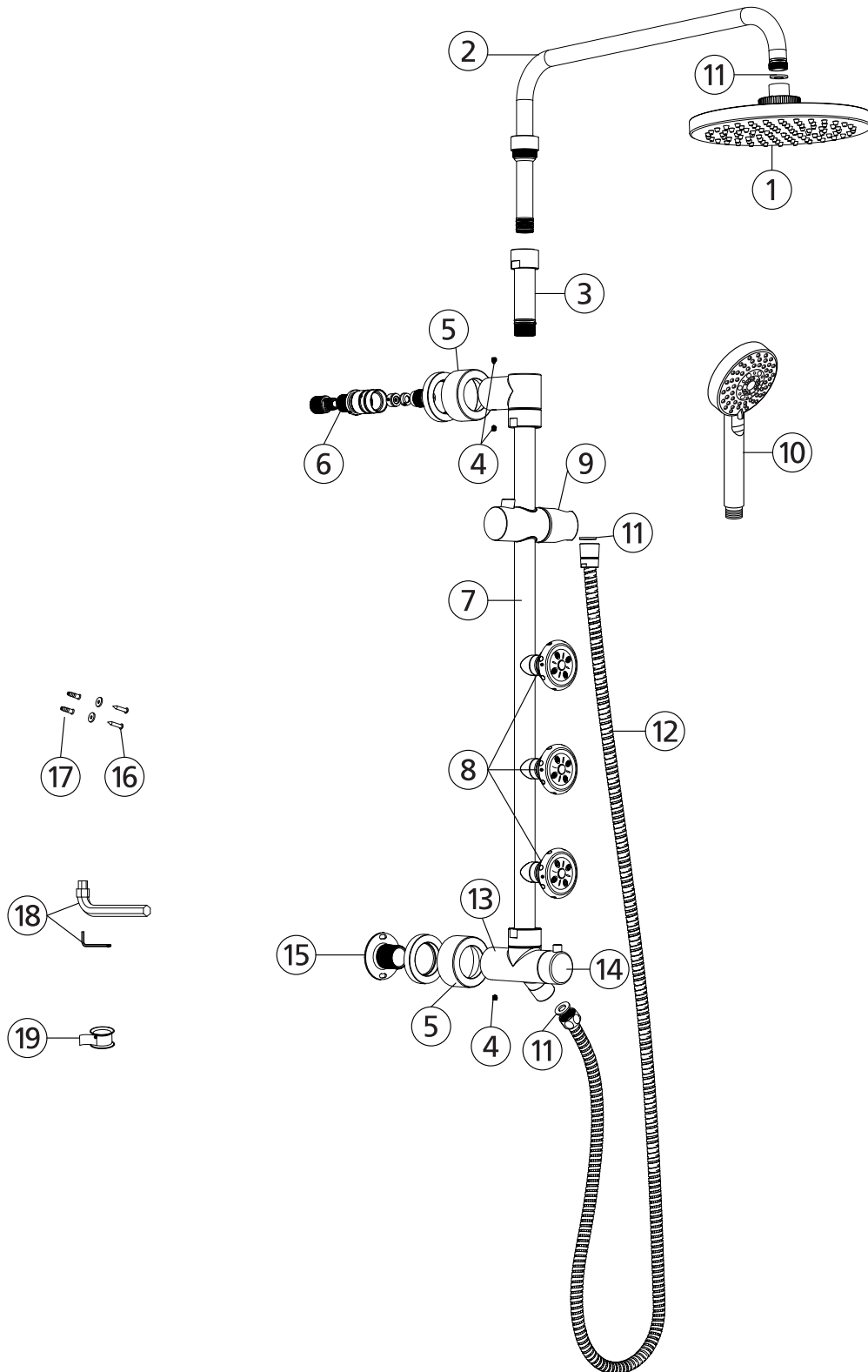


Lanikai Parts Legend

- 1. Showerhead
- 2. Shower Arm
- 3. Shower Arm Riser
- 4. Set Screws
- 5. Escutcheon
- 6. Inlet Fitting
- 7. Shower pipe

- 8. Body Jets
- 9. Handshower Holder
- 10. Handshower
- 11. Washer
- 12. Hose
- 13. Diverter Body
- 14. Diverter Handle

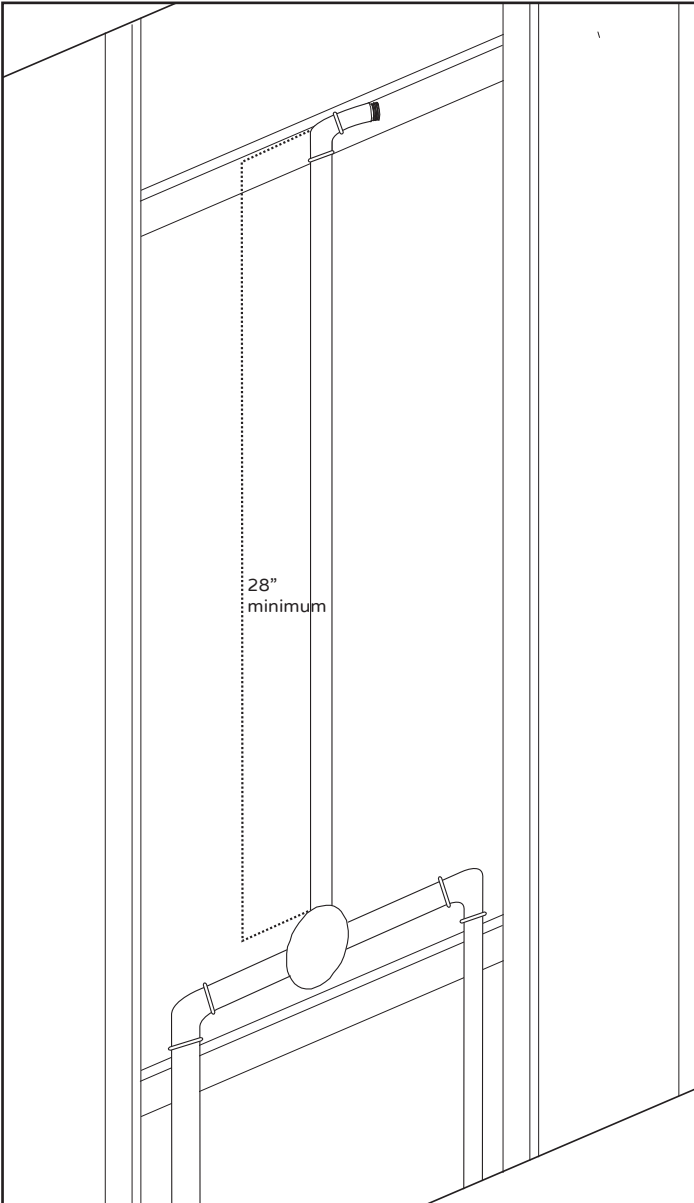
- 15. Wall Mount
- 16. Mounting Screws
- 17. Wall Anchors
- 18. Allen Wrench
- 19. Plumber's Tape
- 20. Glue



BEFORE YOU BEGIN

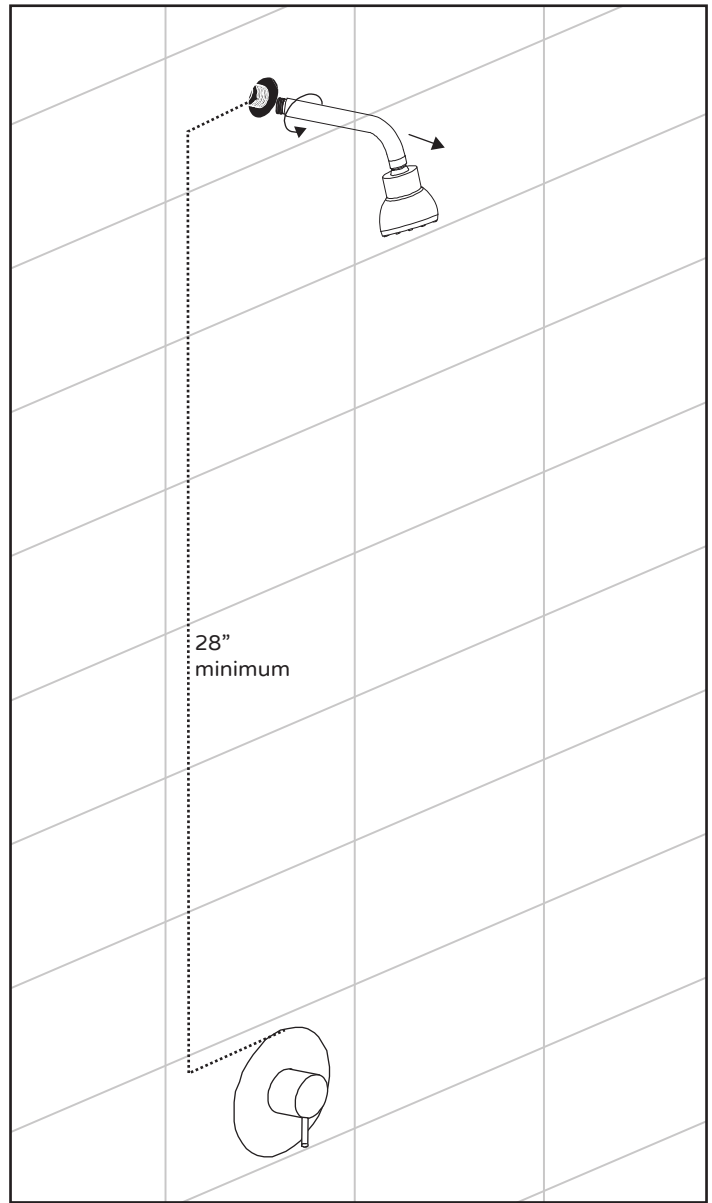
Measure the following to ensure your Lanikai Shower System will fit properly.

New Construction



Make sure distance from water outlet and mixing valve trim (NOT INCLUDED) is a minimum 28" or more.

Retrofit

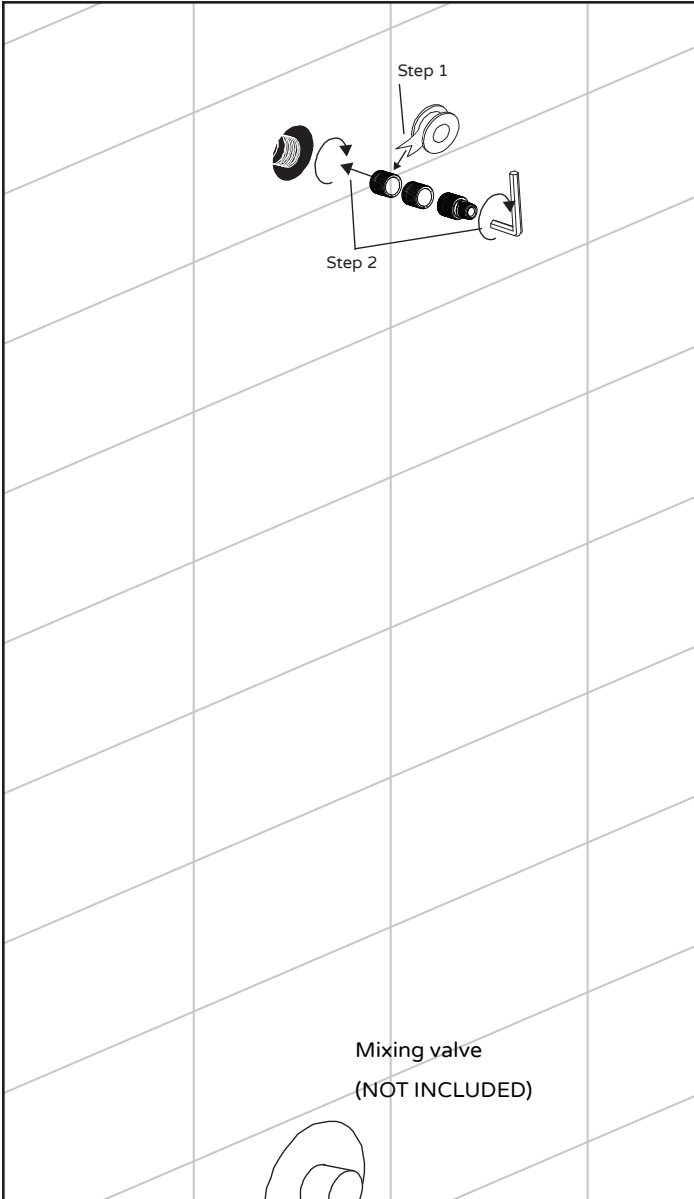


Remove existing shower arm and shower head.

Make sure distance from water outlet and mixing valve trim (NOT INCLUDED) is a minimum 28" or more.

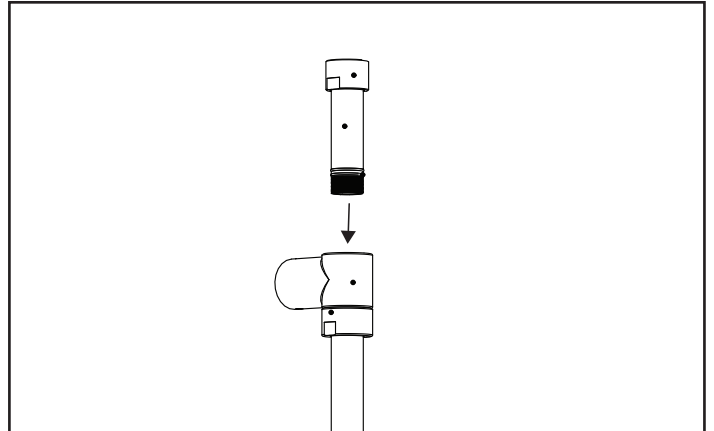
Installation Instructions

1



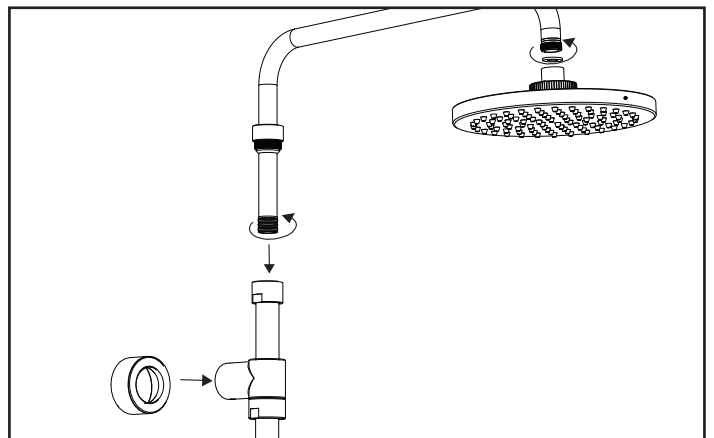
- [Step 1] Apply a generous amount of PTFE (plumber's) tape to end of end of nipple.
- [Step 2] Screw nipple into fitting which old shower arm was screwed into. Use allen wrench provided to secure. **DO NOT OVERTIGHTEN.**
- Use nipple extensions as needed. If you need extra extensions, please contact our customer service department.

2



Screw shower arm riser (3) to shower pipe (7).

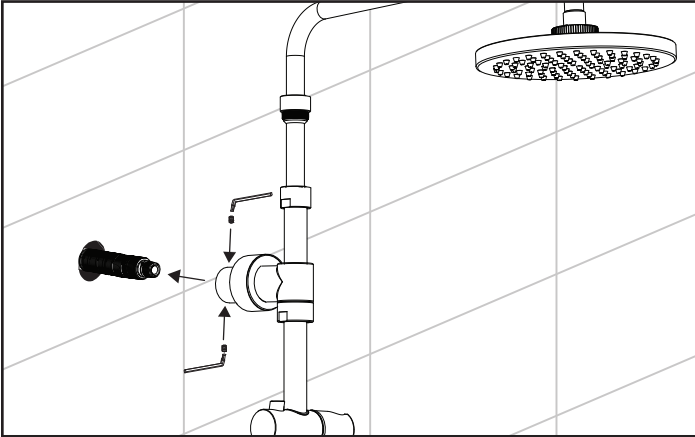
3



Attach shower arm (2) to shower arm riser (3) and secure. Slide escutcheon (5). Screw showerhead (1) to shower arm (2) and secure.

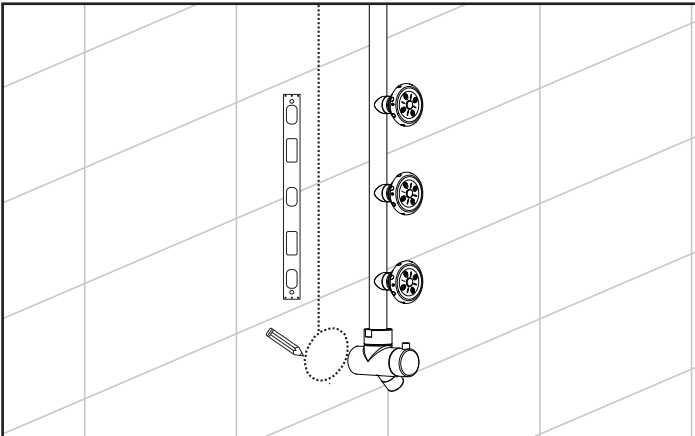
Installation Instructions

4



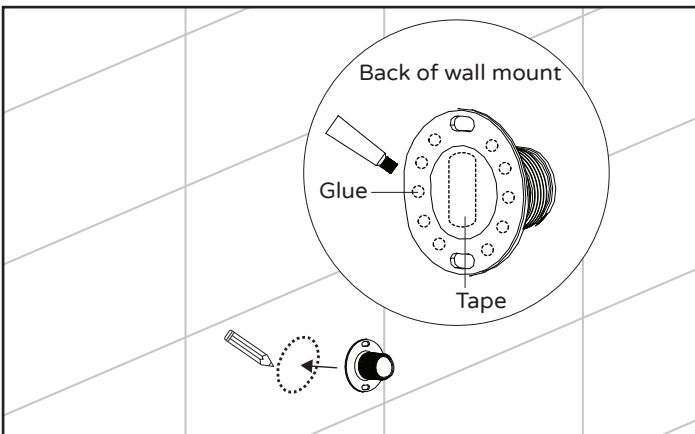
Attach assembled shower to inlet fitting (6) and secure set screw (4) with allen wrench (18) provided.

5



Use level to assure shower pipe is straight and mark diverter body (13) location.

6

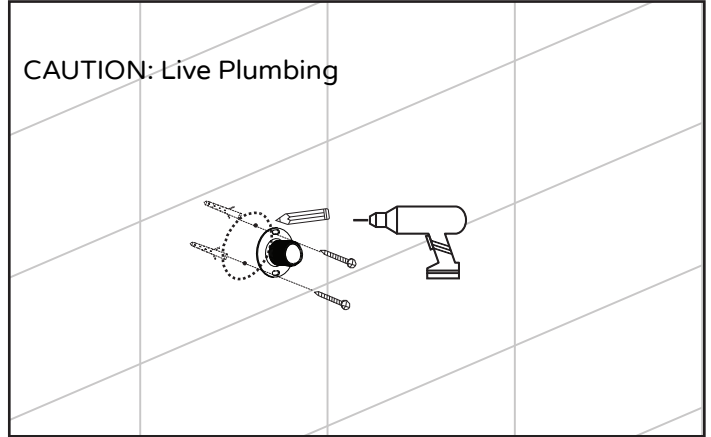


Apply glue to wall mount (15) as indicated and add tape (included) to secure to wall. Let glue cure for 48 hours for complete result.

6.1

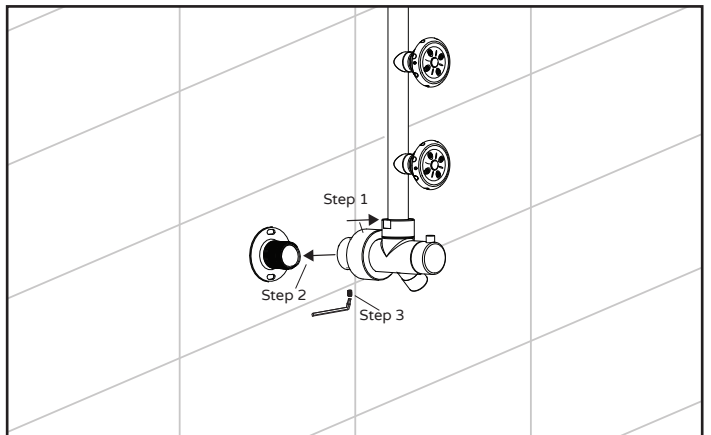
OPTIONAL

CAUTION: Live Plumbing



OPTIONAL: If you wish to drill wall mount (15), place it on marked location and mark holes for drilling. Set wall anchors (17) in place. You can follow Step 6 to place the wall mount (15) for easy, steady, installation. Drill mounting screws (16) into place.

7



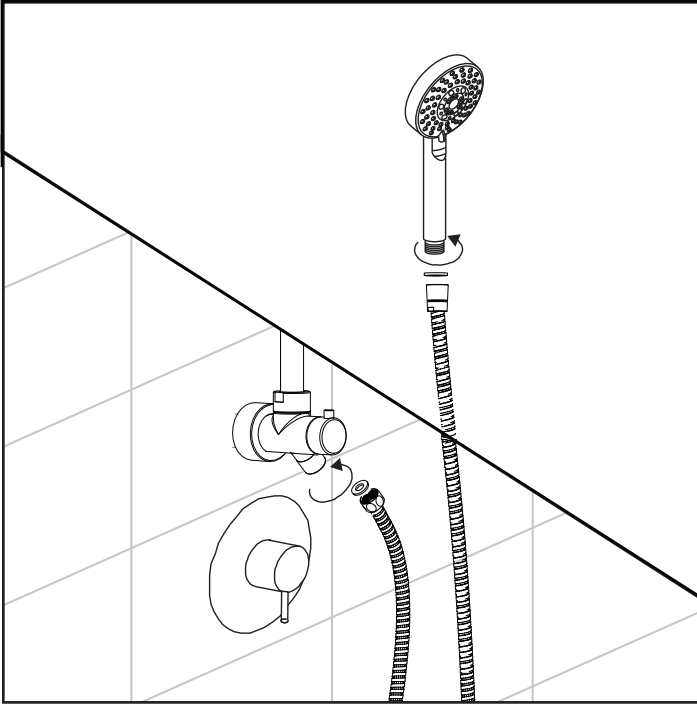
Step 1: Slide escutcheon (5) back in order to place set screw (4) later on.

Step 2: Slide diverter body (13) onto wall mount (15).

Step 3: Secure diverter body (13) to wall mount (15) with set screw (4) provided. Slide back escutcheon (5) to for a concealed finished look.

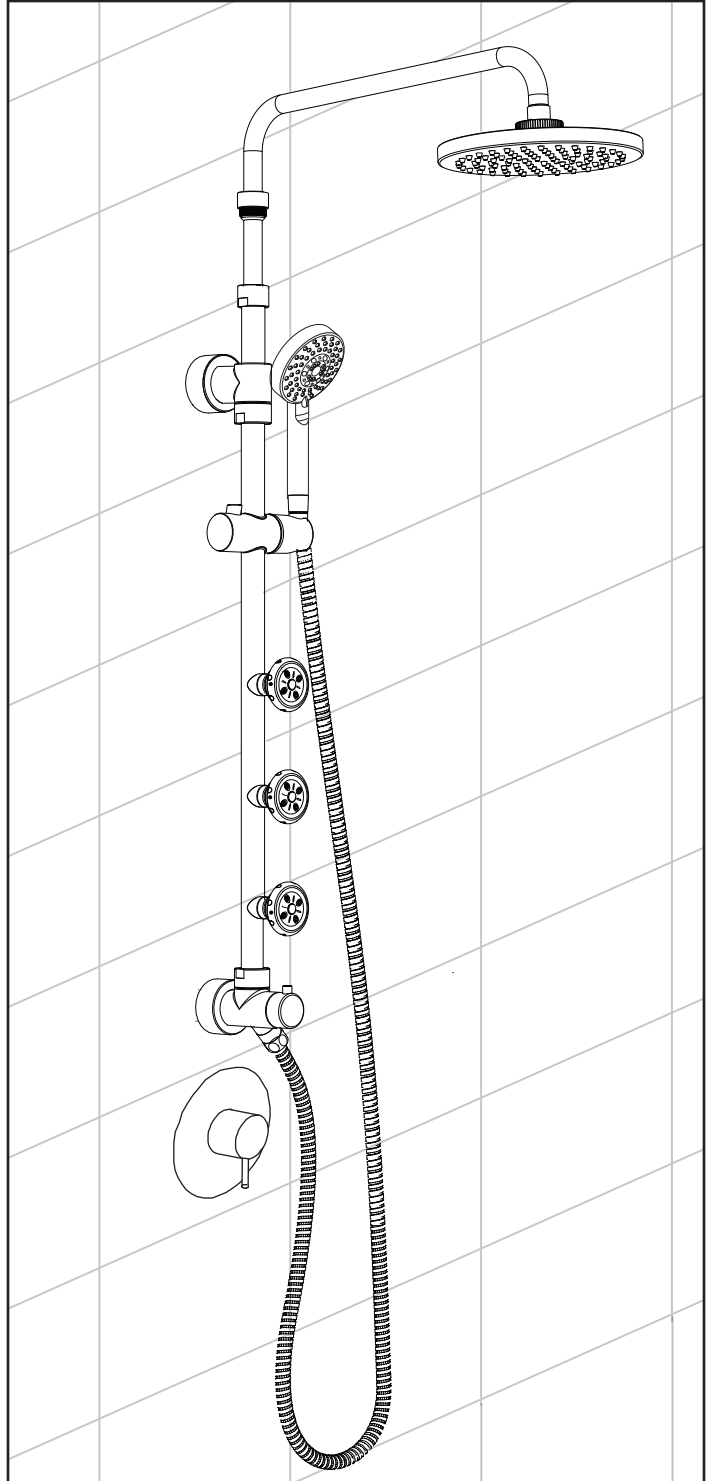
Installation Instructions

8



Insert washer (11) into the hex end of the handshower hose (12). Attach hose (12) to handshower outlet located on the bottom right of the diverter body (13). Insert washer (11) into the tapered end of the handshower hose (12) and attach the handshower (10). Place the tapered end of the hose into the hand shower holder (9).

9



Product Fully Assembled

Usage

Diverter valve controls the showerhead, handshower, and body spray function. Turn diverter knob right or left to the desired setting. The diverter will click into place at each function.

The shower arm height is adjustable by sliding the arm up or down while holding the shower pipe with your free hand. The arm also swings freely to the left or right by gently pressing on the arm or showerhead.

Rotate face of handshower to switch settings and rotate holder forward or back to adjust angle.

Change the angle of spray by pushing the jet left, right, up, or down. This system is equipped with PULSE PowerSpray™ body jets, to turn off top two jets, turn the jet counter clockwise.

Adjust the hand shower height by depressing the button on the holder and sliding up or down.

Always turn cold water on first to help prevent any accidental burning or scalding; especially for children and elderly.

The Lanikai is equipped with Spray Straight™ technology in the tips of the showerhead and handshower. If the stream becomes obstructed from mineral deposits, simply rub the soft tips with your finger to loosen the deposits.

DO NOT use any part of the Lanikai Shower System as a support device.

Care and Maintenance

To keep your Shower System looking new, wipe down after each use with a soft cotton cloth.

Protect your Shower System from hard water stains and mineral deposits by periodically using an auto spray wax.

Clean using mild liquid soap and a non-abrasive sponge or cloth. Rinse with clean water.

If the flow rate of your Shower System is less than desired or reduces over time, flow restrictors located in the inlet fitting can be removed for cleaning. If further assistance is required please contact customer care on our website at www.pulshowerspas.com and we will be happy to assist you.

Do Not Use Any Kind Of
Chemicals Or Abrasives!

MANUFACTURER'S LIFETIME LIMITED WARRANTY

1. Defects Covered; Warranty Period: Pulse Shower Spas, Inc. ("Pulse") warrants to the original consumer purchaser who purchases this shower spa (the "Product") for use in his or her own home, that the Product will be free from defects in material and manufacturing workmanship for as long as the original consumer purchaser owns that same home. For all other purchasers (including, but not limited to purchasers for industrial, commercial and business use), the above warranty will apply for a period of 5 years from the original date of purchase.

2. Remedy: If the Product does not conform to the above warranty, Pulse, at its option, will repair or replace the Product, free of charge, or refund your purchase price. For warranty claims, please visit www.pulshowerspas.com/index.php/warranty. Pulse may require that you return the Product to Pulse, shipping prepaid, in which case Pulse will provide you with a return materials authorization number (RMA). Pulse may also require that you provide evidence of the date you purchased the Product. Pulse will ship a new or repaired Product to you, at the expense of Pulse, or refund your purchase price. Service labor performed by you or others in connection with the removal or replacement of the Product will not be reimbursed by Pulse.

3. Exclusions: Pulse shall not be responsible for failure of the Product, and the above warranties will not apply, if the Product fails as a result of improper installation, improper use, modifications or repairs by anyone other than Pulse, or accident or abuse (including damage during shipment).

4. Warranty on Repairs and Replacements: For consumer purchasers who purchased the Product for home use, repaired or replacement Products will continue to be covered under this warranty for as long as he or she owns that same home. For other purchasers, repaired or replacement Products will be covered for the balance of the original warranty period.

5. No Other Warranties; Limitation of Liability: OTHER THAN THE LIFETIME LIMITED WARRANTY STATED ABOVE, PULSE DISCLAIMS ALL OTHER WARRANTIES, EXPRESS OR IMPLIED, INCLUDING BUT NOT LIMITED TO WARRANTIES OF MERCHANTABILITY AND FITNESS FOR A PARTICULAR PURPOSE, TO THE EXTENT PERMITTED BY APPLICABLE LAW. THE REMEDIES STATED ABOVE ARE YOUR SOLE REMEDIES IN CONNECTION WITH THIS WARRANTY. IN NO EVENT WILL PULSE BE LIABLE TO YOU FOR ANY DAMAGES, WHETHER DIRECT, INDIRECT, INCIDENTAL, SPECIAL OR CONSEQUENTIAL, INCLUDING BUT NOT LIMITED TO LOST PROFITS OR BUSINESS INTERRUPTION, ARISING OUT OF OR RELATING TO THE PRODUCT OR ITS USE, WHETHER UNDER A CONTRACT, WARRANTY, TORT, OR ANY OTHER CAUSE OF ACTION, EVEN IF PULSE HAS BEEN ADVISED OF THE POSSIBILITY OF SUCH DAMAGES. NOTWITHSTANDING THE TERM OF ANY LIMITED OR IMPLIED WARRANTY, OR IN THE EVENT THAT ANY LIMITED WARRANTY FAILS OF ITS ESSENTIAL PURPOSE, IN NO EVENT WILL PULSE'S ENTIRE LIABILITY EXCEED THE PURCHASE PRICE OF THE PRODUCT. SOME STATES AND PROVINCES DO NOT ALLOW THE EXCLUSION OR LIMITATION OF INCIDENTAL OR CONSEQUENTIAL DAMAGES SO THE ABOVE LIMITATIONS OR EXCLUSIONS MAY NOT APPLY TO YOU. THIS LIMITED WARRANTY GIVES YOU SPECIFIC LEGAL RIGHTS, AND YOU MAY ALSO HAVE OTHER RIGHTS WHICH VARY FROM STATE TO STATE AND PROVINCE TO PROVINCE.

