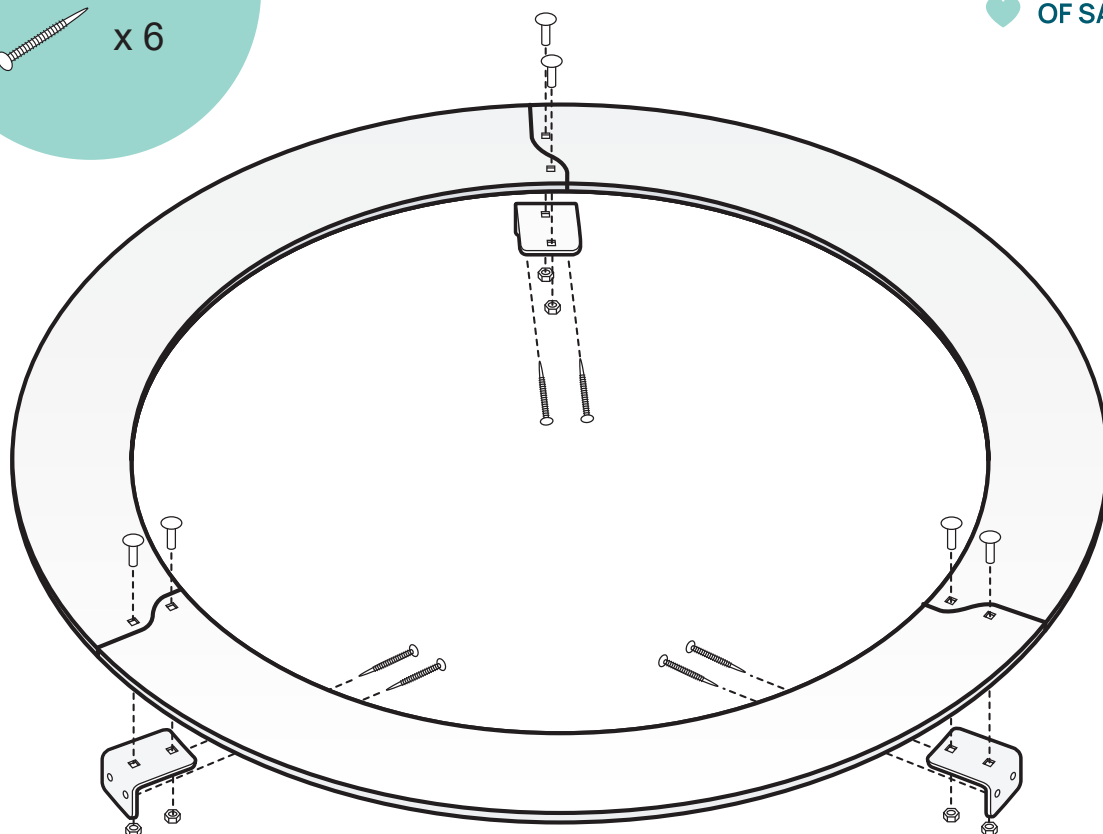


x 6

x 6



UPUTUSKRAE

- ◆ Tee pörandasse ava diameetriga 58.2 cm (HIVE Mini kerise puhul) või 69.2 cm (HIVE kerise puhul).
- ◆ Aseta kaared kerise ümber, et tekiks terviklik ring.
- ◆ Kinnita kaared poltidega nurkade külge.
- ◆ Krugi nurgad lava külge. Valmis!

EMBEDDING FLANGE

- ◆ Make a circular cut with a diameter of 58.2 cm (for HIVE Mini sauna heater) or 69.2 cm (for HIVE sauna heater) to your floor for placing the embedding flange.
- ◆ Create a full circle by placing the embedding flange arcs around the heater.
- ◆ Fix the arcs to the angle irons using bolts and nuts.
- ◆ Fix the angle irons to the sauna floor and you are done!



#huumsauna



www.huum.eu