

## Wood burning heater Harvia Legend 240 SL black

WK240LDSL

The Harvia Legend wood burning heaters give you the ultimate sauna experience. The black steel frame has a mighty amount of stones inside, and as they heat up, you get a magnificent sauna bath even at a lower temperature. The large number of stones ensures good heat, even if the fire dies down in between.



### Features

Main material : Steel

H x W x D : 830.0 x 600.0 x 780.0 mm

Net weight (kg) : 81.7

Stone amount (kg) : 200.0

ID	GTIN	Power	Sauna room size min - max m3
WK240LDSL	6417659012454	21 kW	10.0-24.0

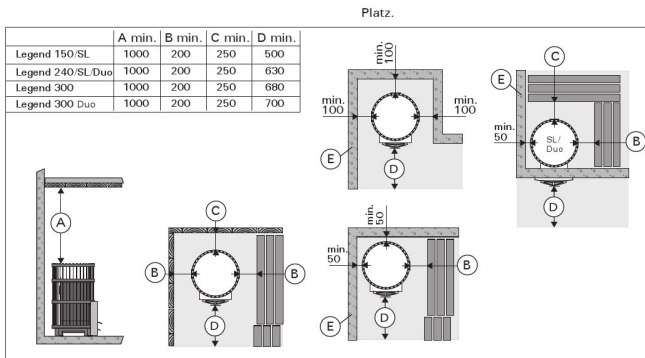
## Spare parts

Product	ID	Pcs
Ashpan ES/SL	Z2ES-125	1
Furnace grate	ZKIP-10	1
Connection pipe	ZKIP-130	1
Hinge pin	ZKIP-50	1
Legend 240 SL/Duo steel frame	WX503	1
Stove body 20 SL	ZROST-300SL	1
Handle for stove + screws	ZKIP-670	1

## Technical details

Technical data	Type / attribute	WK240LDSL
Technical data	Color	Black
	Power output	21 kW
	Stone sizes	10-15 cm
	Stone amount (kg)	200
	Dimensions	
Dimensions	Product width (mm)	600
	Product height (mm)	830
	Product depth (mm)	780
	Net weight (kg)	81.7
	Gross weight	85.4
	Package width	810
	Package height	850
Connections	Package depth	620
	Flue connection locations	Top
	Chimney connection diameter	115
Safety and installation dimensions	Safety distance front (non-combustible materials)	630
	Safety distance front (combustible materials)	630
	Safety distance right side (combustible materials)	200
	Safety distance right side non-combustible materials	100
	Safety distance left side (combustible materials)	200
	Safety distance left side non-combustible materials	100
	Safety distance behind (non-combustible materials)	100
	Safety distance behind (combustible materials)	250
	Safety distance (Ceiling) (depends on connections and therefore from output, star/delta)	1000
Room min. height(depends on connections and therefore from output, star/delta)	1850	

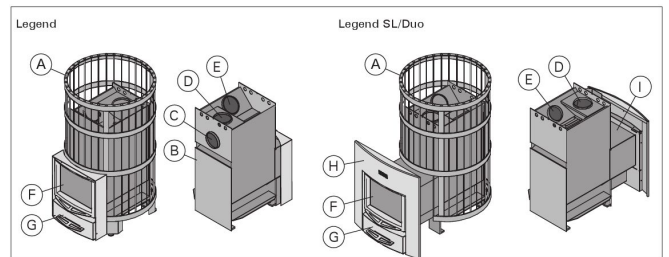
Technical images



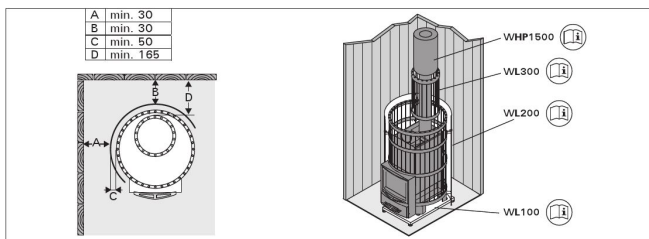
Safety distances (all dimensions in millimeters)

1.1. Stove Parts

- A. Steel frame
- B. Stove body
- C. Rear connection opening
- D. Upper connection opening
- E. Soot opening
- F. Stove door
- G. Ash box
- H. Flange (only Legend 240 Duo/300 Duo)
- I. Fire chamber extension



Stove parts. Note! Only use replacement parts recommended by the manufacturer. Unauthorised modification of the stove is prohibited.



Legend Protection Supplies (all dimensions in millimeters)