

General Information

Inspect the product immediately upon receipt for transit damage, missing packs/parts or manufacturing fault. Damage reported later will not be accepted. Handle the product with care avoiding knocks and shock loading to all sides and edges of the glass.

Notes: Safety glass can not be re-worked.

Read these instructions carefully before start of installation.

Special care should be taken when drilling walls to avoid hidden pipes or electrical cables.

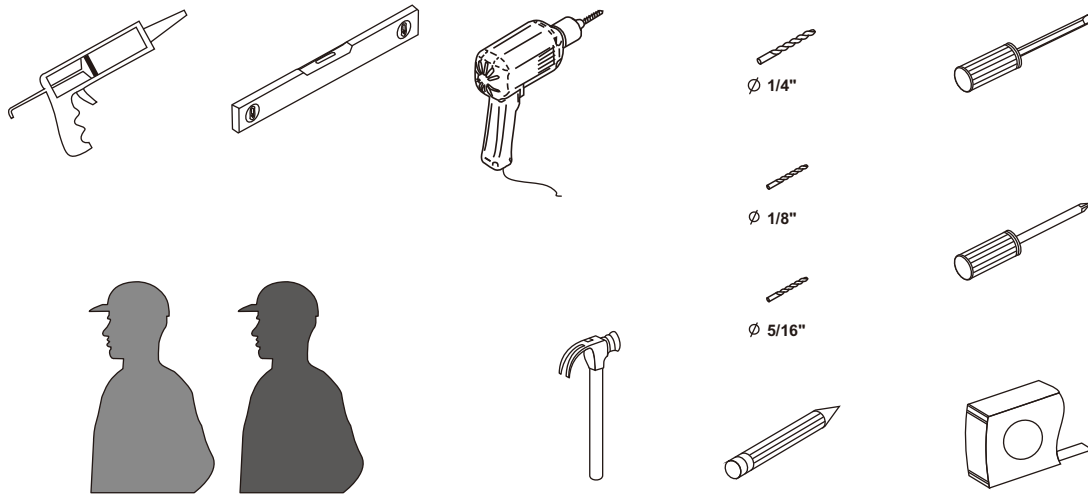
Note: This product is heavy and may require two people to install.

Aftercare instructions

After use, your shower should be cleaned with soap and water. This is particularly important in hard water districts where insoluble lime salts maybe deposited and allowed to build up. Cleaners of a gritty or abrasive nature should not be used. Care should be taken to avoid contact with strong chemicals, they can be used but with caution, if in doubt contact the manufacturer of the cleaner in question.

Keep these instructions for aftercare and customer service details.

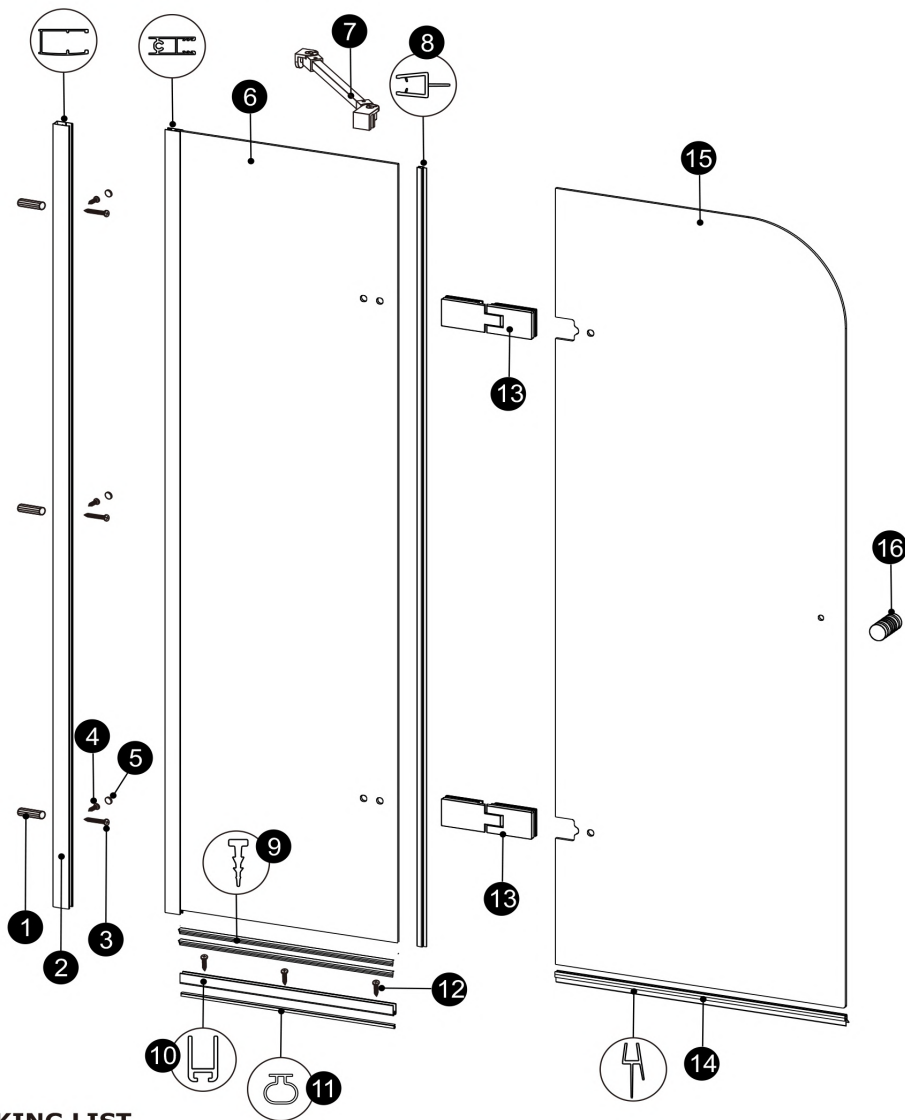
Tools Required



This product is heavy and may require two people to install.



◆ **Assembly Drawing**

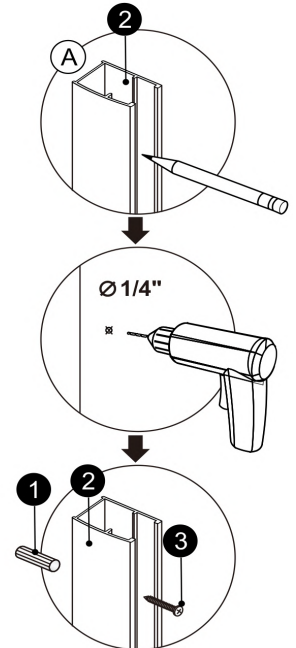
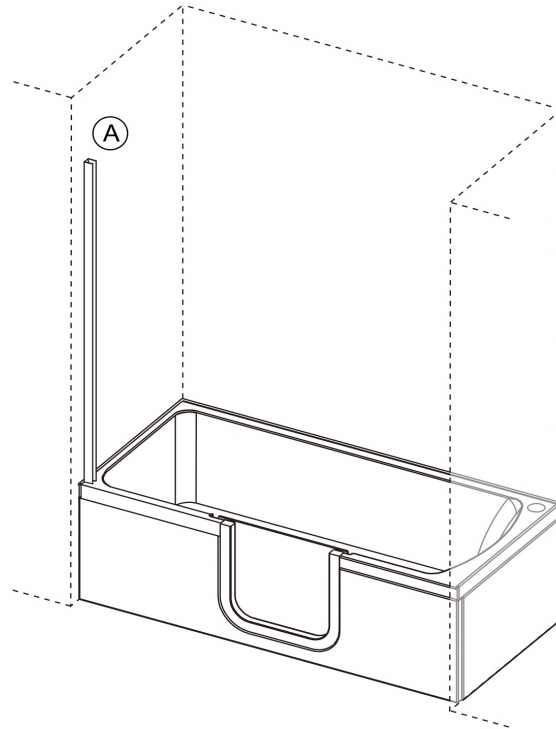


PACKING LIST

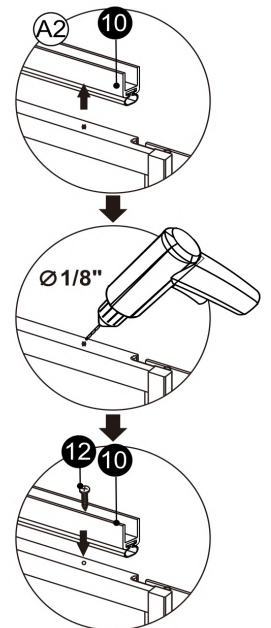
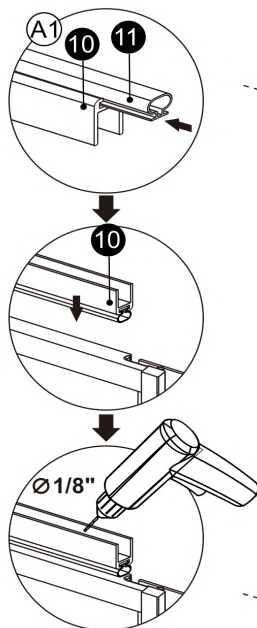
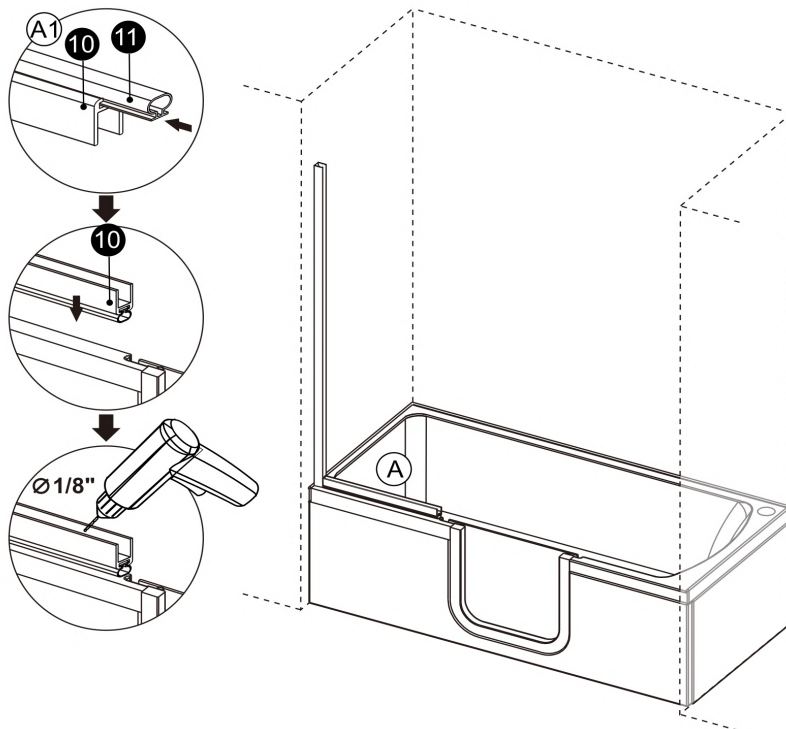
PART #	DESCRIPTION	Q'TY	PART #	DESCRIPTION	Q'TY
1	Wall Plugs	3pcs	9	Gasket-B	2pcs
2	Wall Jamb	1pc	10	Bottom Aluminium Frame	1pc
3	Screws ST4x1 3/8"	3pcs	11	Gasket-C	1pc
4	Screws ST4x3/8"	3pcs	12	Screws ST4x5/8"	3pcs
5	Screw Caps	3pcs	13	Hinge	2sets
6	Fixed Panel	1pc	14	Gasket-D	1pc
7	Support Bar	1set	15	Door Panel	1pc
8	Gasket-A	1pc	16	Knob	1pc

◆ **Installation Steps**

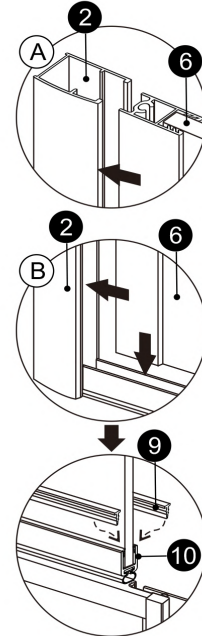
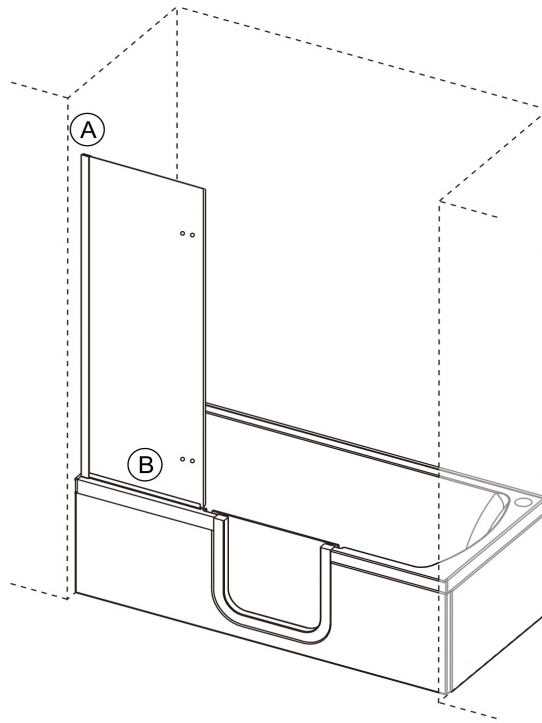
Step 1



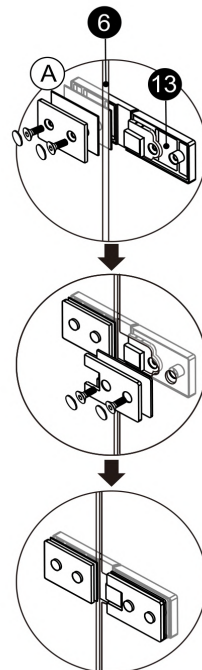
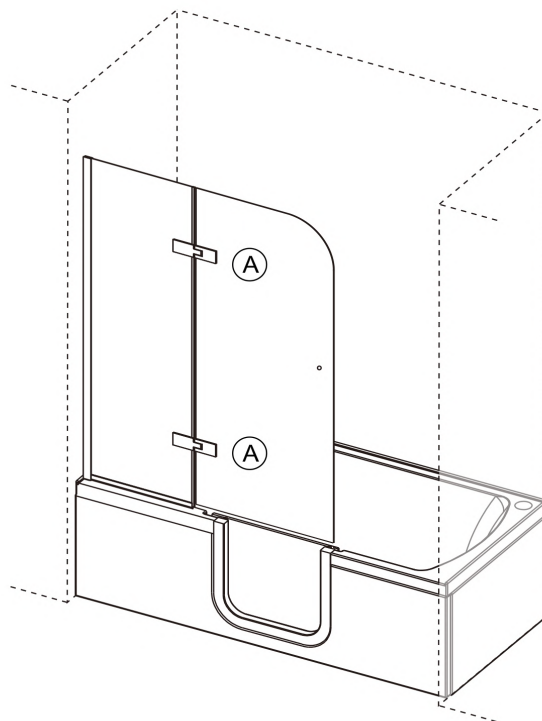
Step 2



Step 3

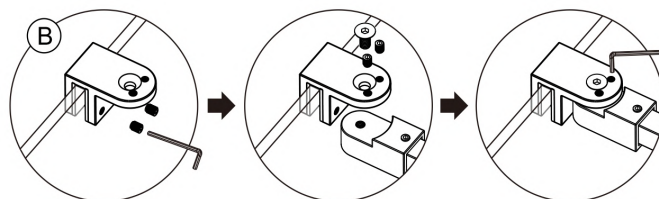
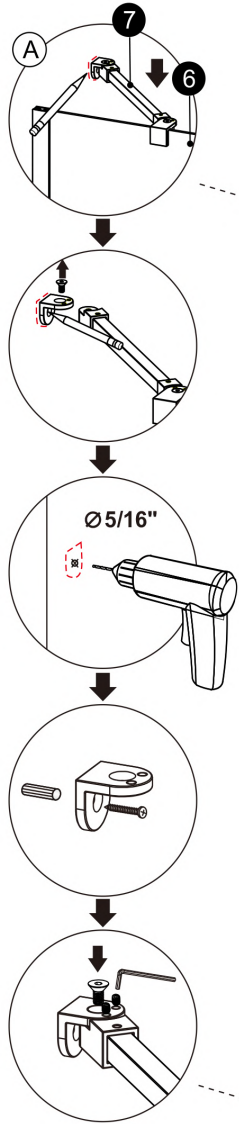
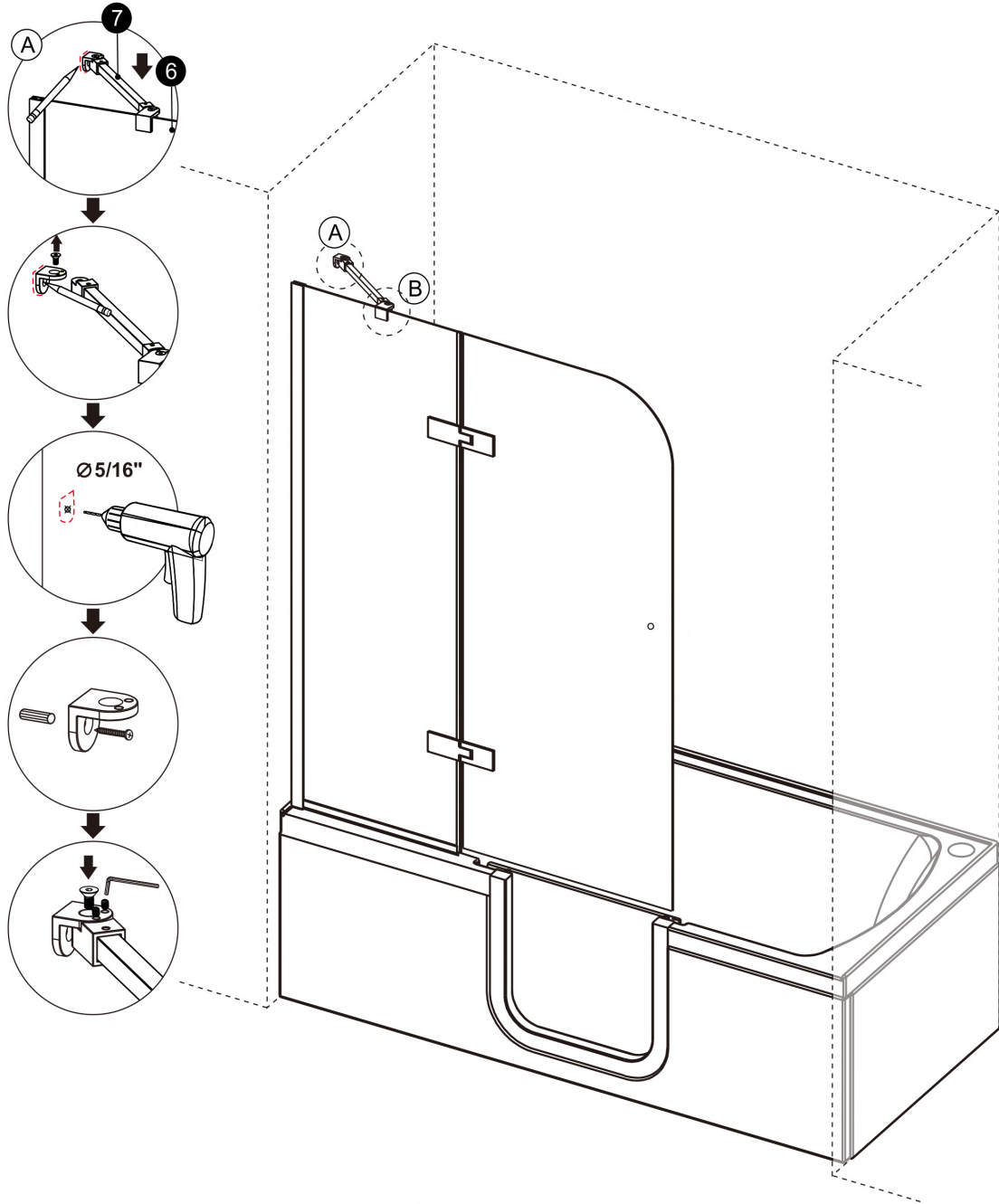


Step 4



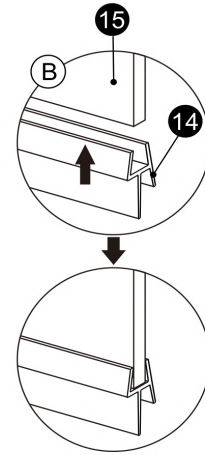
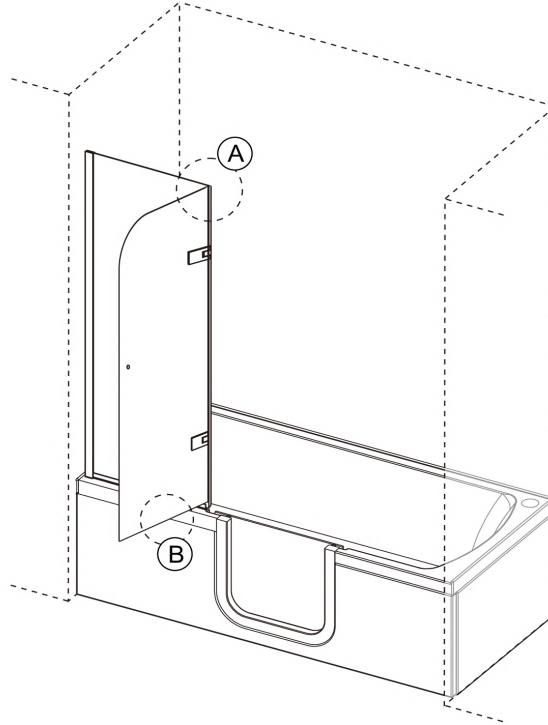
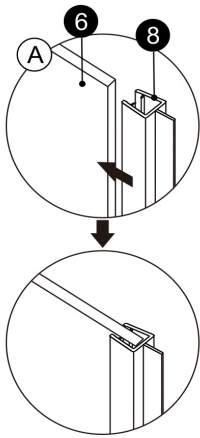
View from inside

Step 5

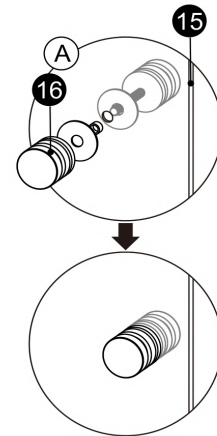
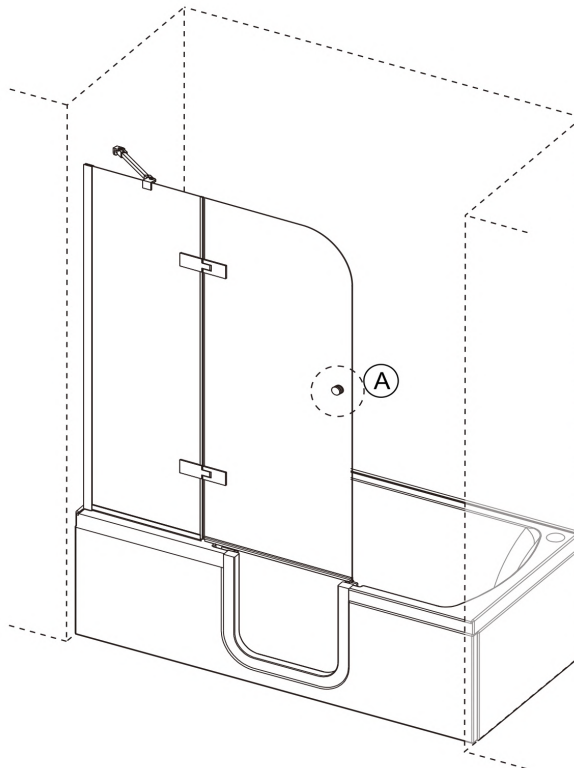


View from inside

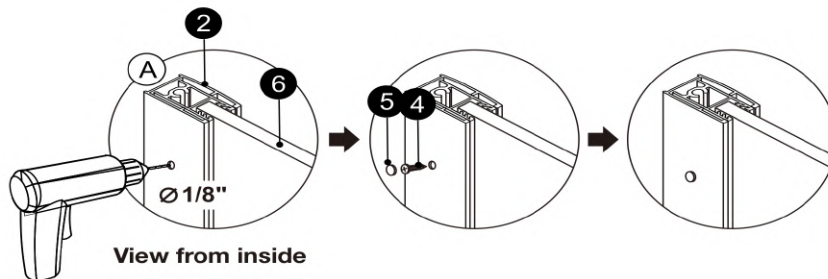
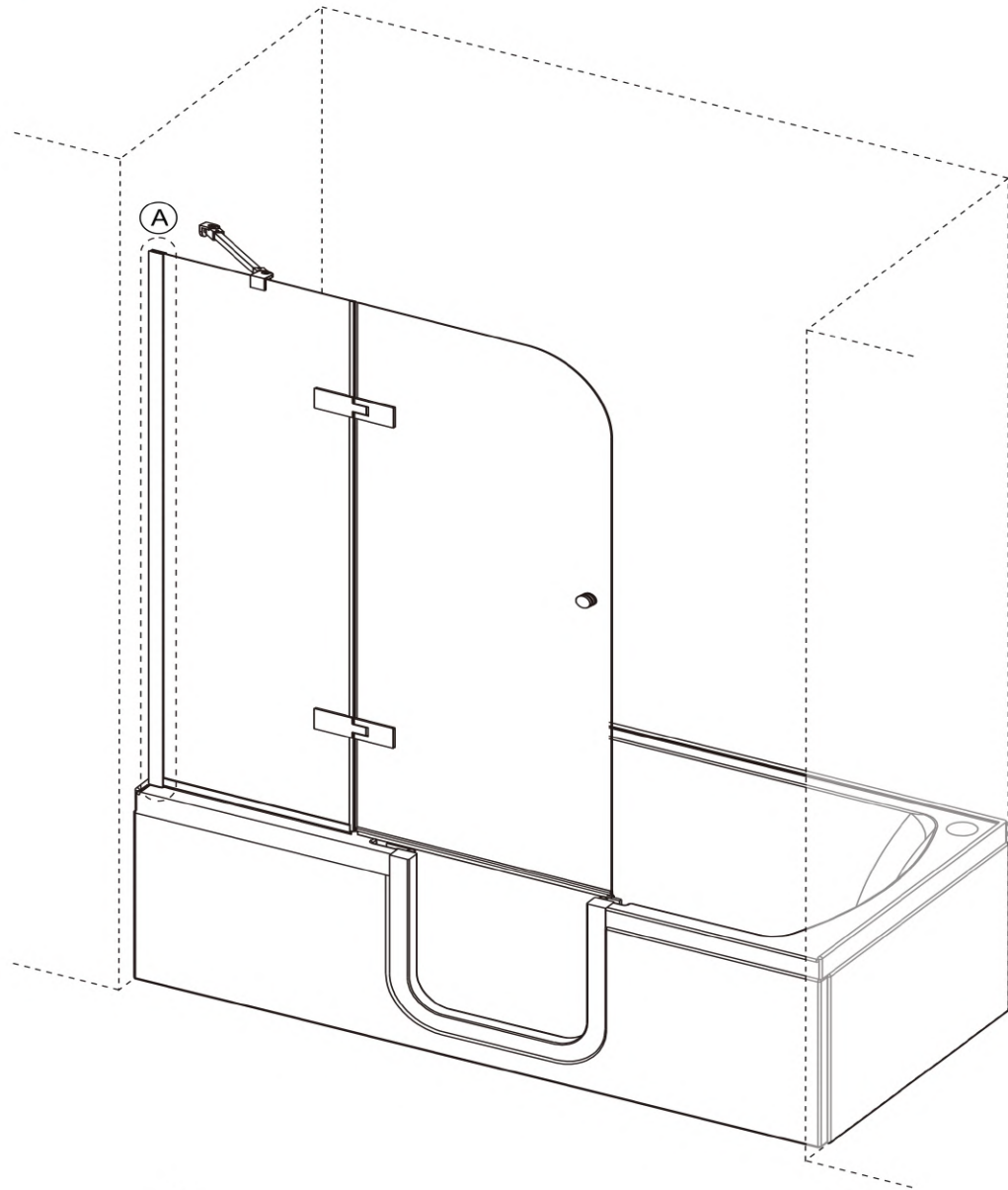
Step 6



Step 7



Step 8



Step 9



24 HOURS

