

**Actual Size:** 55" x 36" x 40" • (140 cm x 91 cm x 101 cm)

**Seat Width:** 29" • (74 cm)

**Shipping Size:** 57" x 38" x 50" • (145 cm x 97 cm x 127 cm)

**Net Weight:** 220 lbs. • (100 kg)

**Shipping Weight:** 300 lbs. • (136 kg)

**Unoccupied Water Capacity:** 90 gal. • (3341 L)

**Occupied Water Capacity:** 55-75 gal. • (208 - 284 L)

**Drainage Time:** +/- 160 seconds at ideal plumbing conditions (unoccupied)

## Included Features:

1. Acrylic Tub Shell
  - Gloss white finish
  - Fiberglass gelcoat reinforced
2. Stainless steel frame with adjustable leveling Legs.
3. Plastic composite tempered glass L-shape outward swing door with a 2 latch gear and shaft door mechanism.
4. Removable front apron with two access panels.
5. One removable and reversible end panel.
6. Stainless steel chrome finish U-shape wall mounted grab bar.
7. Stainless steel white rubberized wall mounted grab bar.
8. Reversible extension filler kit for 60" alcove installations.
9. Two (2) 2 inch PVC drains with 2 end caps included. Each drain has two (2) 2 inch outlets, one overflow and a stainless steel operated opener with extended handle in chrome finish.

## Jetting & Therapy Options:

1. Air + Hydro + Hydro/Foot Massage + Microbubble (Multicolor LED Light Included)
2. Air + Hydro + Hydro/Foot Massage (Multicolor LED Light Included)
3. Hydro + Hydro/Foot Massage (Multicolor LED Light Included)
4. Air + Hydro + Microbubble (Multicolor LED Light Included)
5. Air + Hydro Massage (Multicolor LED Light Included)
6. Hydro Massage + Microbubble (Multicolor LED Light Included)
7. Hydro Massage (Multicolor LED Light Not Included)
8. Soaking Option Only (Multicolor LED Light Not Included)



## Jetting Options

### Hydro Massage

- Hydro Massage Pump 5AMP 600W \*
- Hydro Massage Intensity Dial Control
- Ozone Sterilization 1AMP
- 13 jets
- On/Off Push Control
- In-line Water Heater 5.5AMP 650W \*

### Hydro + Hydro Foot Massage

- 2 Hydro Massage Pumps 2x 5AMP 600W\*
- 2 Hydro Massage Intensity Dial Controls
- Ozone Sterilization 1AMP
- 13 jets
- On/Off push control
- In-Line Water Heater 5.5AMP 650W \*

### Air Massage

- Air Massage Pump 4.5AMP 486W \*
- 3 Speed Pump
- Auto-purge (Activates 20 minutes after pump shutdown)
- 17 jets
- On/Off push control

### Microbubble Therapy

- Air Pressure Pump 10AMP 1200W \*
- Pressure Tank
- On/Off push control

## Faucet Options

### Five-Piece Fast Fill Faucet

- Up to 18 GPM @ 60 PSI an ideal in-home plumbing conditions
- Two 5' water supply lines with 3/4" connectors
- Pull out, hand held, chrome plated hand shower with a 5' ft. retractable stainless steel braided hose



## Optional FeaturesElectrical Requirements

1. Heated Seat and Backrest 4AMP 470W Dedicated GFCI protected electrical line(s)
2. Digital Controller required

**Note:** Multicolor LED light .04AMP with On/Off push control is included with the following dual packages: Hydro + Air, Hydro + Micro, Hydro + Hydro

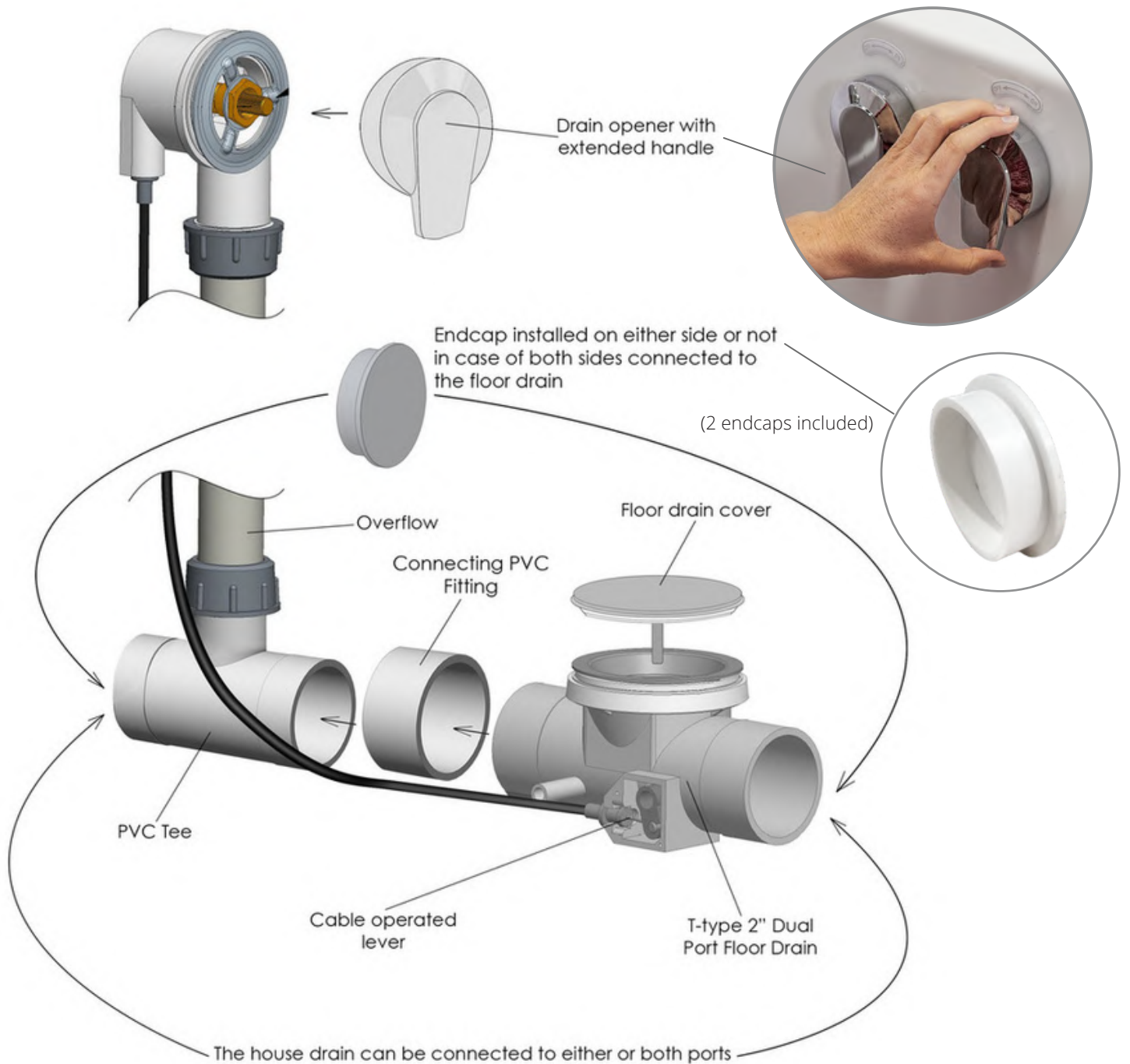
**Disclaimer\*:** AMP value for each pump may change based on availability. Please verify before purchase. (800.480.6850)

## Warranty

- Lifetime limited\* warranty on shell, frame, door, and parts to original purchaser/Address • Labor or installation is not covered - please refer to the Ella warranty certificate
- Non Ella brand faucets covered under manufacturers original warranty



## Dual Drain Technology - Two 2 Inch Independent Floor Drains

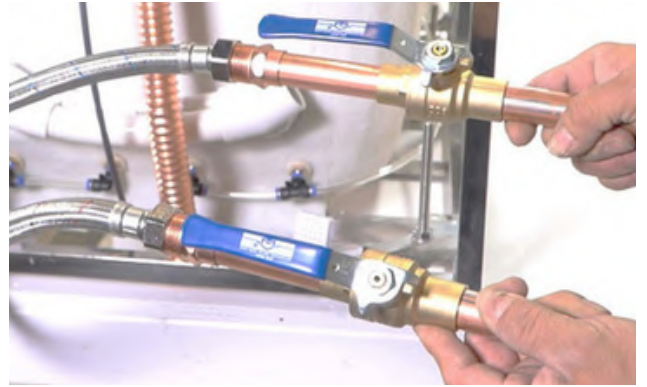




Two 3/4" connector water supply lines included with Ella Fast Fill Faucets



Connect to Shut Off Valves (not included)



All electrical fixtures connect to a dedicated GFCI protected outlet.



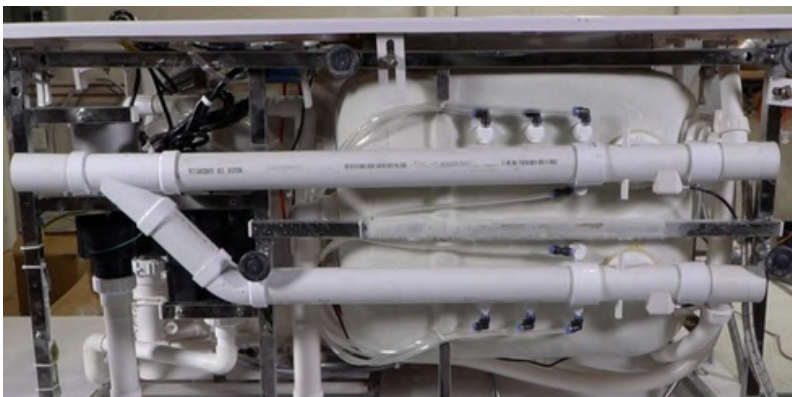
Drain Cap

Use a drain cap to close unused drain port.



T-Type four (4) 2" drain ports allow for the drain pipe to be installed in either direction.

Images below show examples of PVC pipe connections (not included). Reducers can be used to connect smaller drain pipes.



**Description**

Solid brass spout in a chrome finish with a 5-setting pull out hand shower mixer including a 5' braided hose. Two 3/4" 5' braided stainless-steel supply lines are included along with Cold/Hot levers with a diverter for the hand mixer.

**Flow**

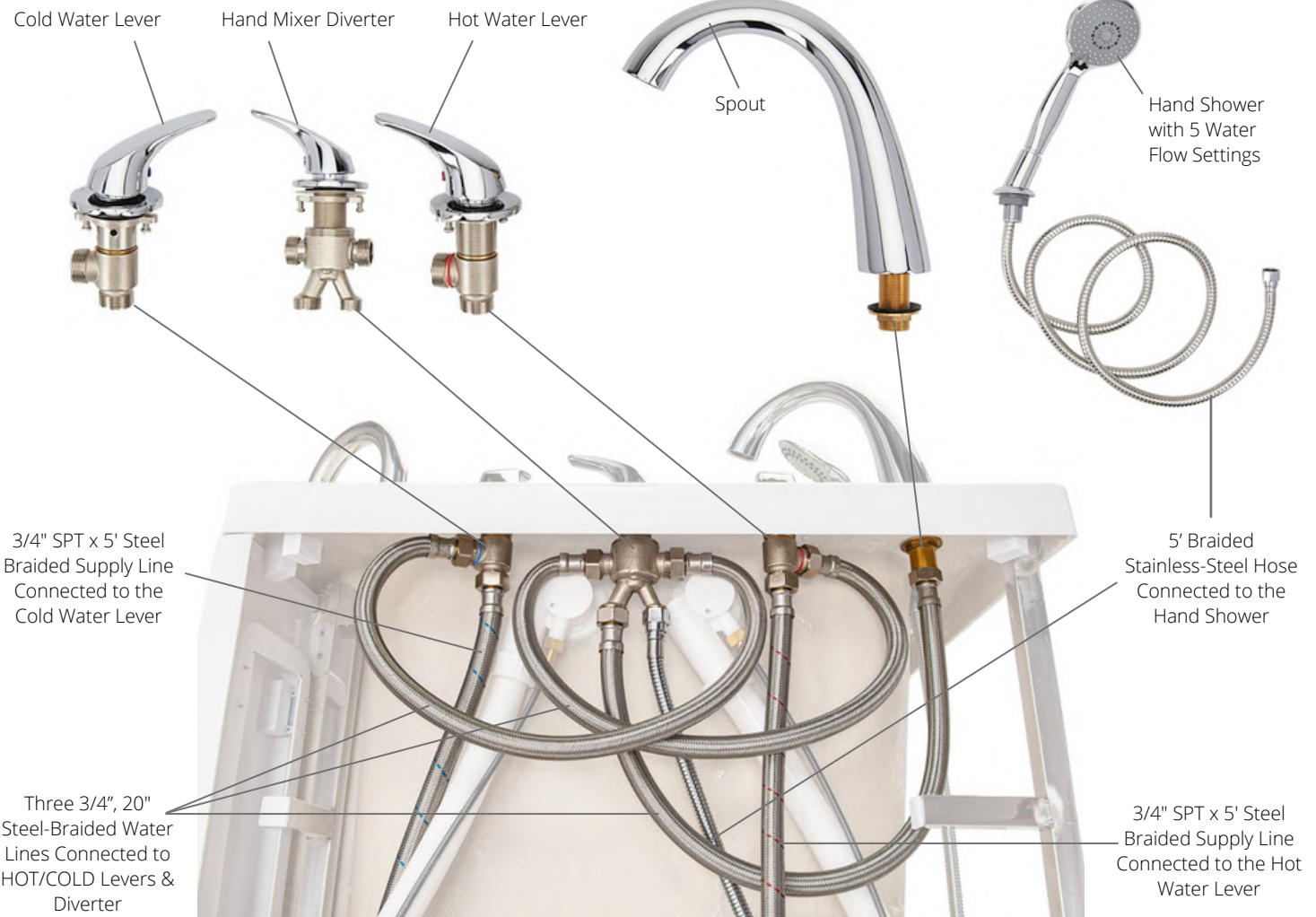
- Hand shower is limited to 1.9 GPM (7.5L/min)
- Faucet fill rate designed for 18 GPM (68.1L/min)

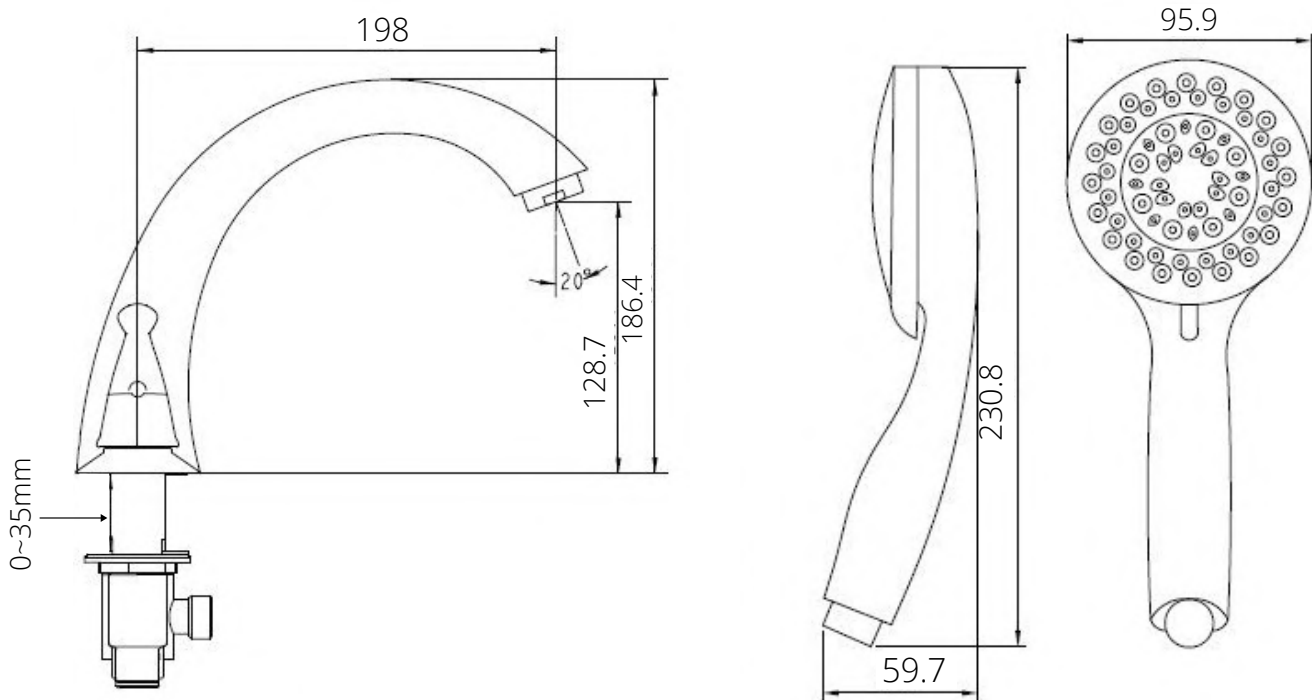
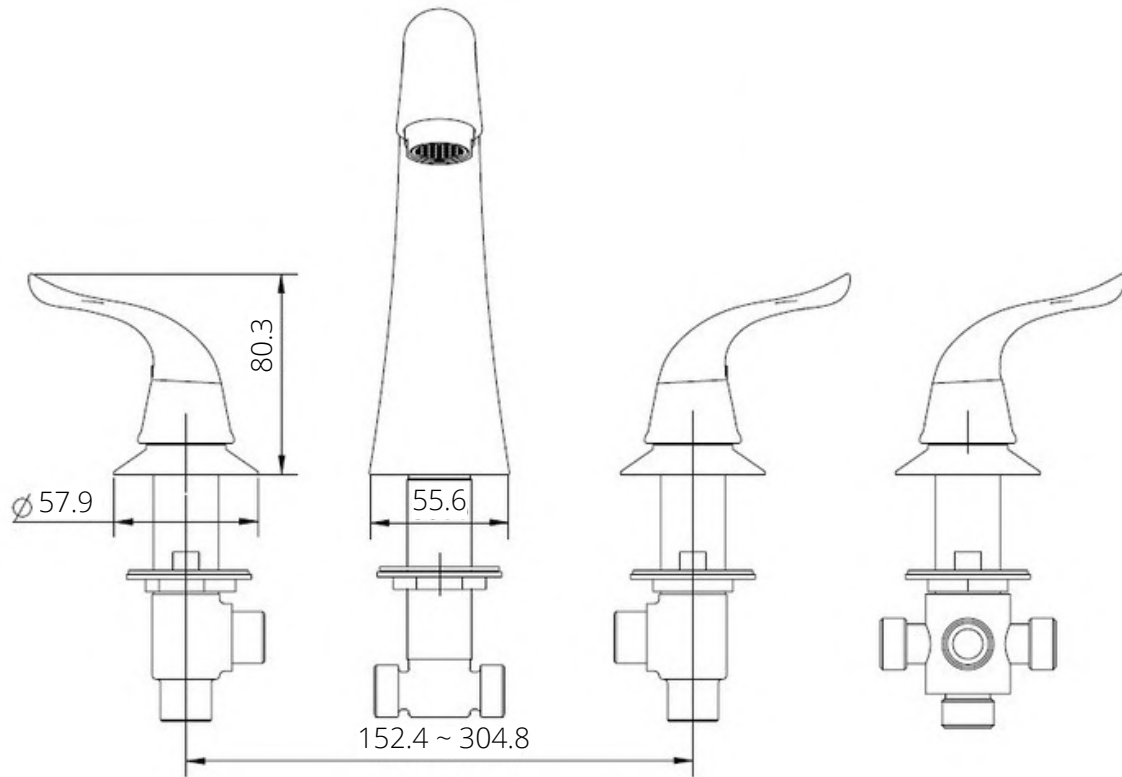
**Cartridge**

- 40mm high flow cartridge design
- Non metallic/non ferrous and stainless-steel material

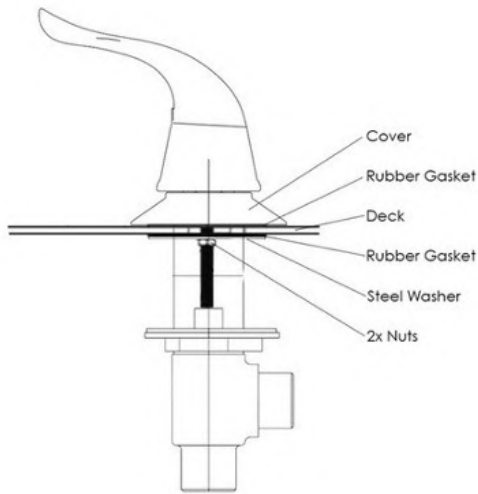


## Ella 5 Piece Fast-Fill Faucet Contents

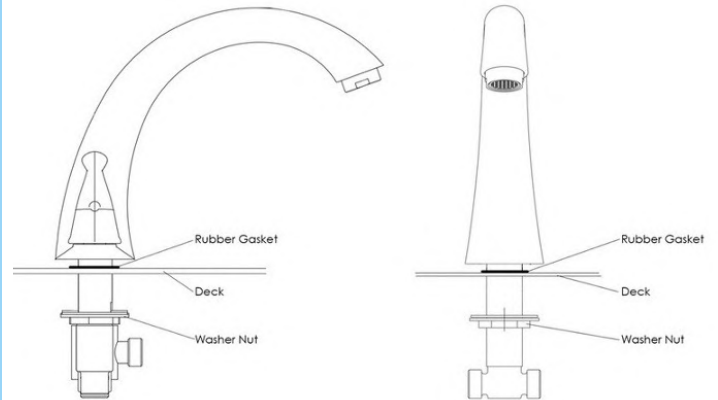




Step-by-step Instructions to install an Ella 5-piece faucet.



**1.** Unscrew the 2 nuts securing the steel washer and rubber gasket. In this order, remove the steel washer and rubber gasket, place your lever on the deck, replace the rubber gasket and the steel washer. Firmly secure the 2 nuts to hold the fixture in place.



**2.** Unscrew the washer nut and place the rubber gasket and spout above the deck. After, secure the washer nut from underneath the deck.

**3.** Remove the plastic nut and insert your hand mixer and hose into your deck opening. Re-secure the plastic nut underneath the deck to hold the hand mixer and housing firmly in place.

**4.** Connect the supply lines provided with your Ella 2-Piece Fast Fill Faucet to their respective hot and cold connections.

