

Actual Size: 26" x 52" x 40" • (66 cm x 132 cm x 102 cm)

Seat Width: 18" • (46 cm)

Shipping Size: 29" x 60" x 50" • (74 cm x 152 cm x 127 cm)

Net Weight: 205 lbs. • (93 kg)

Shipping Weight: 300 lbs. • (136 kg)

Unoccupied Water Capacity: 75 gal. • (284 L)

Occupied Water Capacity: 35-55 gal. • (132 - 208 L)

Drainage Time: +/- 80 seconds at ideal plumbing conditions (unoccupied)

Included Features:

1. Acrylic Tub Shell
 - Gloss white finish
 - Fiberglass gelcoat reinforced
2. Stainless steel frame with adjustable leveling Legs.
3. Plastic composite tempered glass L-shape outward swing door with a 2 latch gear and shaft door mechanism.
4. Removable front apron with two access panels.
5. One removable and reversible end panel.
6. Stainless steel chrome finish U-shape wall mounted grab bar.
7. Reversible extension filler kit for 60" alcove installations.
8. Two (2) 2 inch PVC drains with 2 end caps included. Each drain has two (2) 2 inch outlets, one overflow and a stainless steel operated opener with extended handle in chrome finish.

Jetting & Therapy Options:

1. Hydro + Hydro/Foot Massage (Multicolor LED Light Included)
2. Air + Hydro Massage (Multicolor LED Light Included)
3. Hydro Massage + Microbubble (Multicolor LED Light Included)
4. Hydro Massage (Multicolor LED Light Not Included)
5. Soaking Option Only (Multicolor LED Light Not Included)



Jetting Options

Hydro Massage

- Hydro Massage Pump 5AMP 600W *
- Hydro Massage Intensity Dial Control
- Ozone Sterilization 1AMP
- 13 jets
- On/Off Push Control
- In-line Water Heater 5.5AMP 650W *

Hydro + Hydro Foot Massage

- 2 Hydro Massage Pumps 2x 5AMP 600W*
- 2 Hydro Massage Intensity Dial Controls
- Ozone Sterilization 1AMP
- 16 jets
- On/Off push control
- In-Line Water Heater 5.5AMP 650W *

Air Massage

- Air Massage Pump 4.5AMP 486W *
- 3 Speed Pump
- Auto-purge (Activates 20 minutes after pump shutdown)
- 17 jets
- On/Off push control

Microbubble Therapy

- Air Pressure Pump 10AMP 1200W *
- Pressure Tank
- On/Off push control

Faucet Options

Two-Piece Fast Fill Faucet

- Up 10 16 GPM @ 60 PSI an ideal in-home plumbing conditions
- Two 5' water supply lines with 3/4" connectors
- Pull out, hand held, chrome plated hand shower with a 5' ft. retractable stainless steel braided hose

Five-Piece Fast Fill Faucet

- Up 10 18 GPM @ 60 PSI an ideal in-home plumbing conditions
- Two 5' water supply lines with 3/4" connectors
- Pull out, hand held, chrome plated hand shower with a 5' ft. retractable stainless steel braided hose

Optional Features

1. Heated Seat and Backrest 4AMP 470W
2. Digital Controller

Note: Multicolor LED light .04AMP with On/Off push control is included with the following dual packages: Hydro + Air, Hydro + Micro, Hydro + Hydro

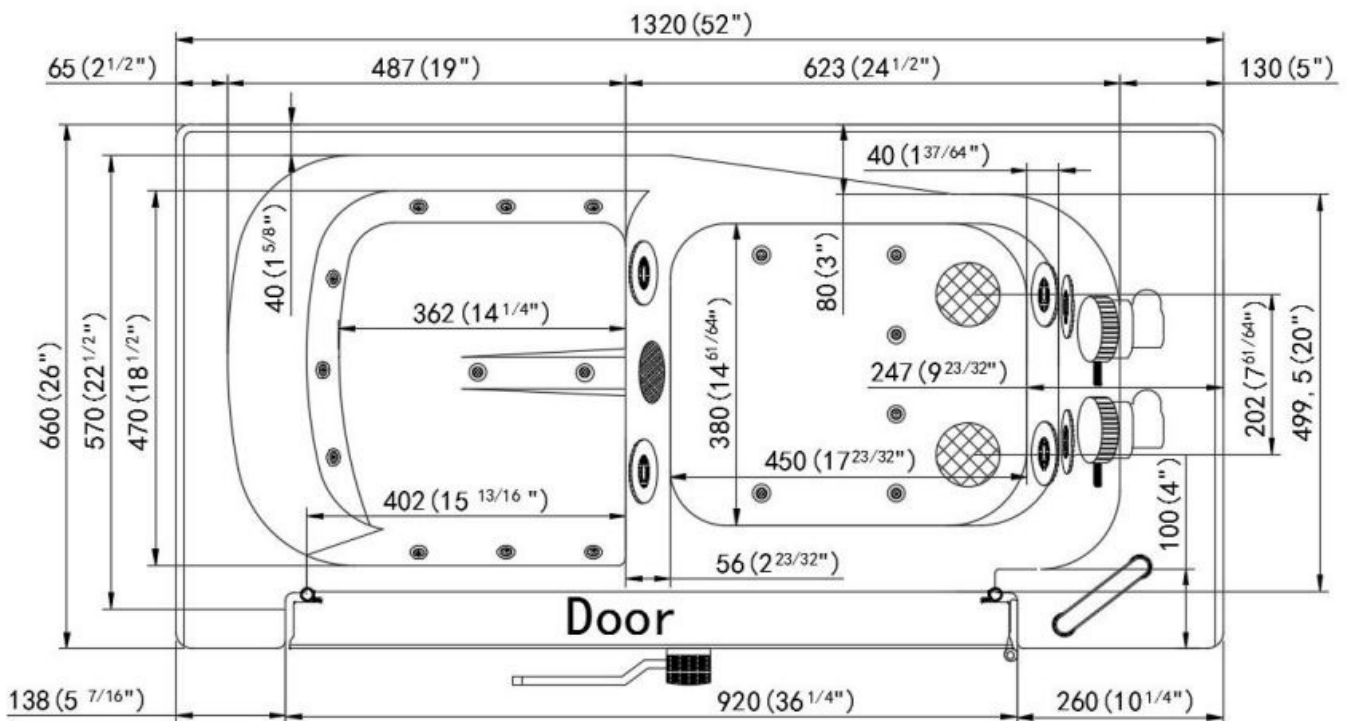
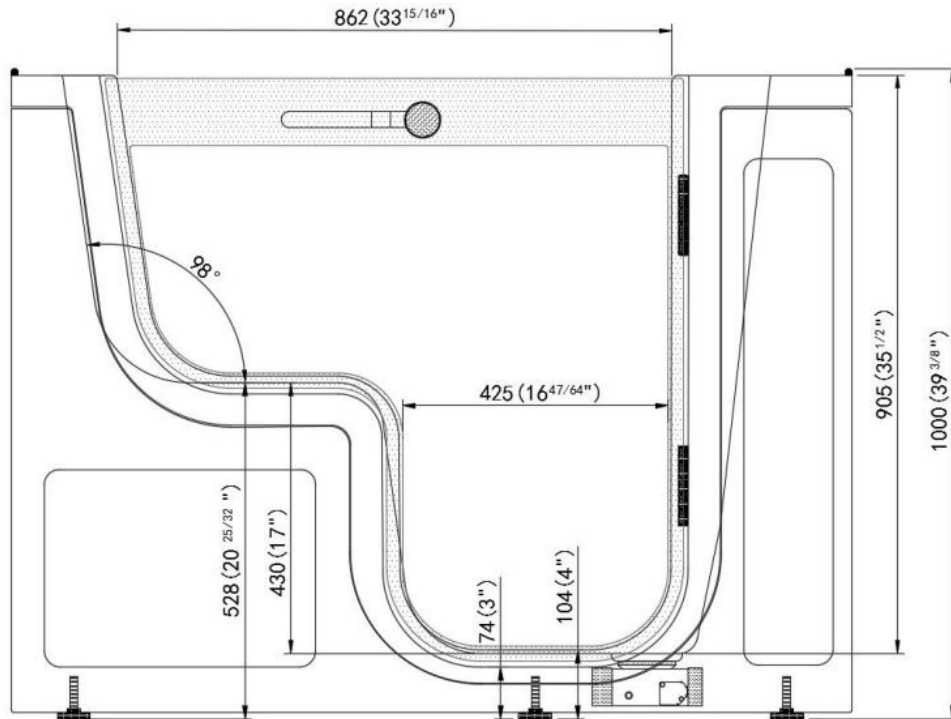
Disclaimer*: AMP value for each pump may change based on availability. Please verify before purchase. (800.480.6850)

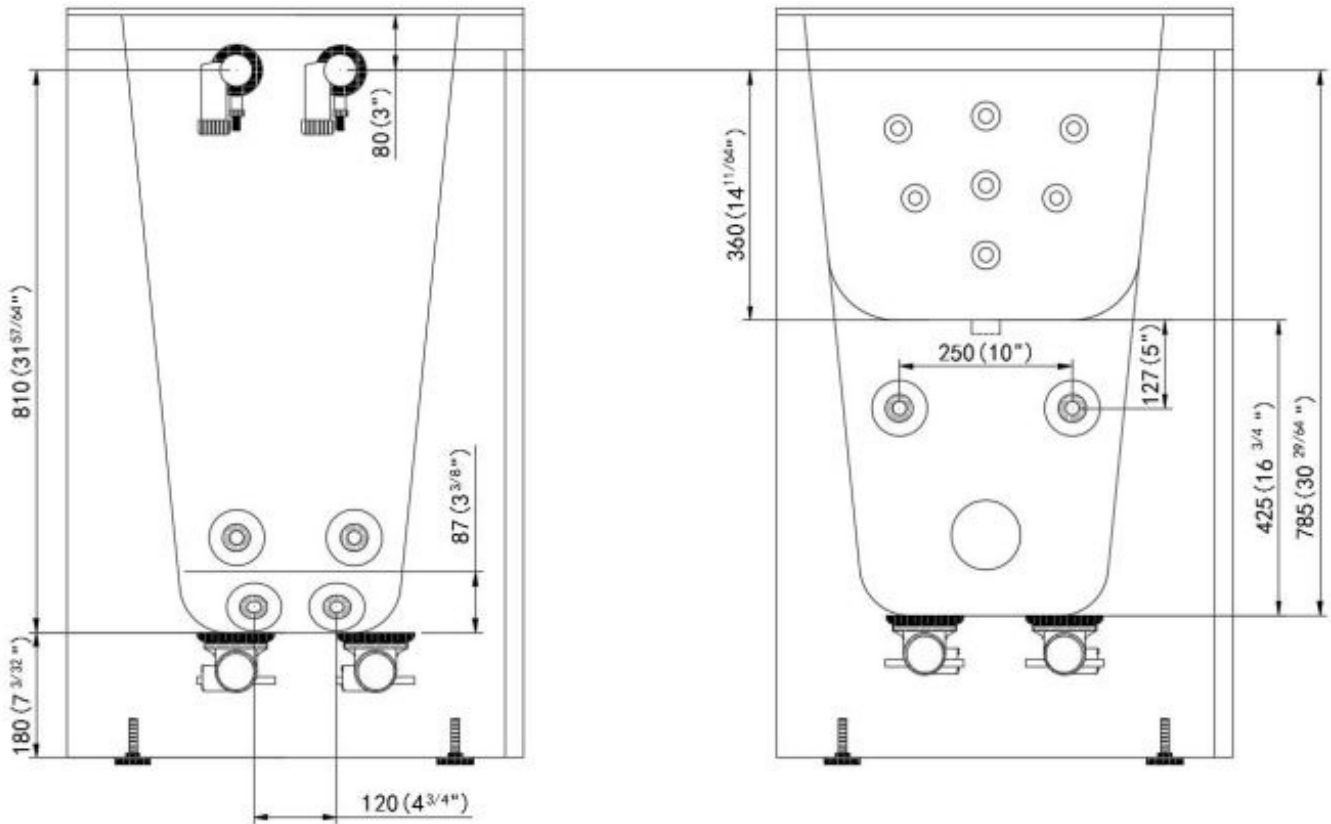
Electrical Requirements

Dedicated GFCI protected electrical line(s) required

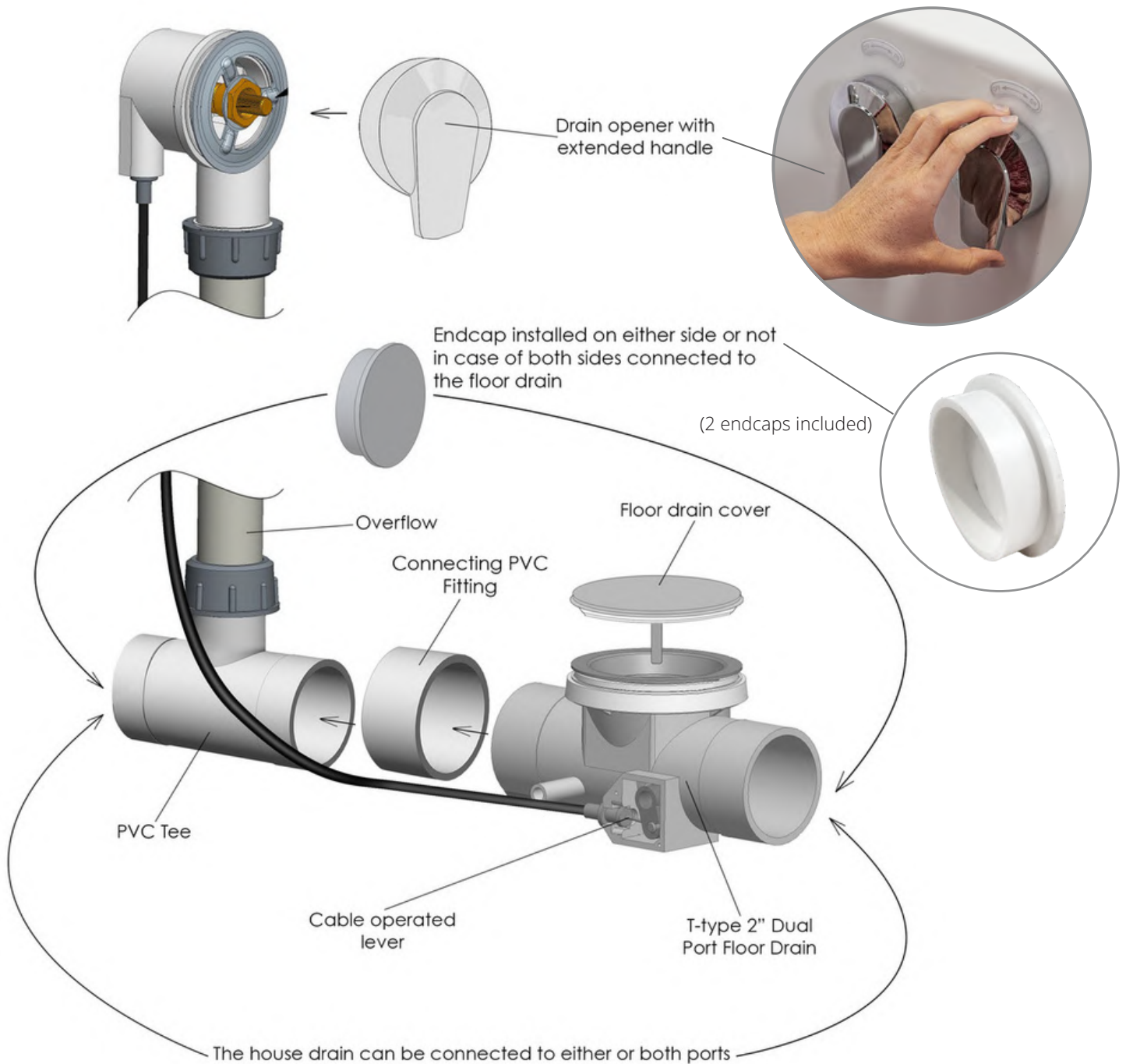
Warranty

- Lifetime limited* warranty on shell, frame, door, and parts to original purchaser/Address
- Labor or installation is not covered - please refer to the Ella warranty certificate
- Non Ella brand faucets covered under manufacturers original warranty





Dual Drain Technology - Two 2 Inch Independent Floor Drains



Two 3/4" connector water supply lines included with Ella Fast Fill Faucets



Connect to Shut
Off Valves
(not included)



All electrical fixtures
connect to a dedicated
GFCI protected outlet.



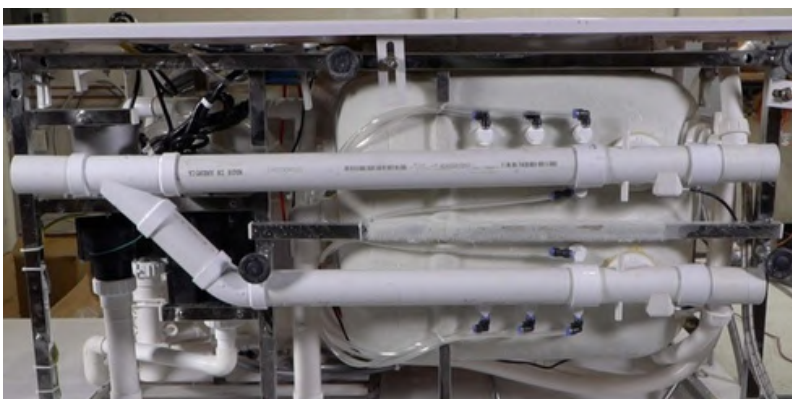
Drain Cap

Use a drain cap to close
unused drain port.



T-Type four (4) 2" drain ports
allow for the drain pipe to be
installed in either direction.

Images below show examples of PVC pipe
connections (not included). Reducers can
be used to connect smaller drain pipes.



Description

Solid brass spout in a chrome finish with a 5-setting pull out hand shower mixer including a 5' braided hose. Two 3/4" 5' braided stainless-steel supply lines are included along with Cold/Hot levers with a diverter for the hand mixer.

Flow

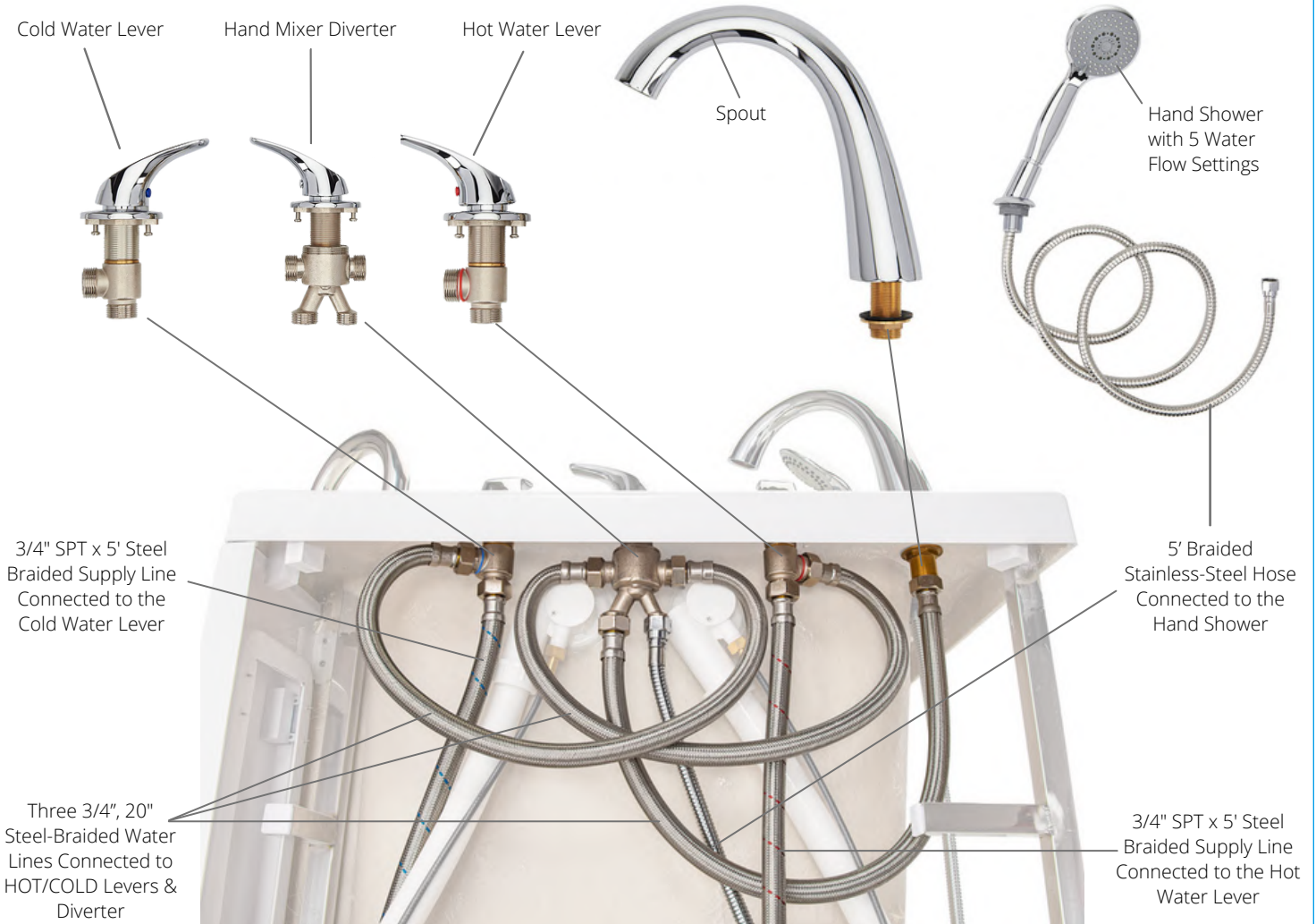
- Hand shower is limited to 1.9 GPM (7.5L/min)
- Faucet fill rate designed for 18 GPM (68.1L/min)

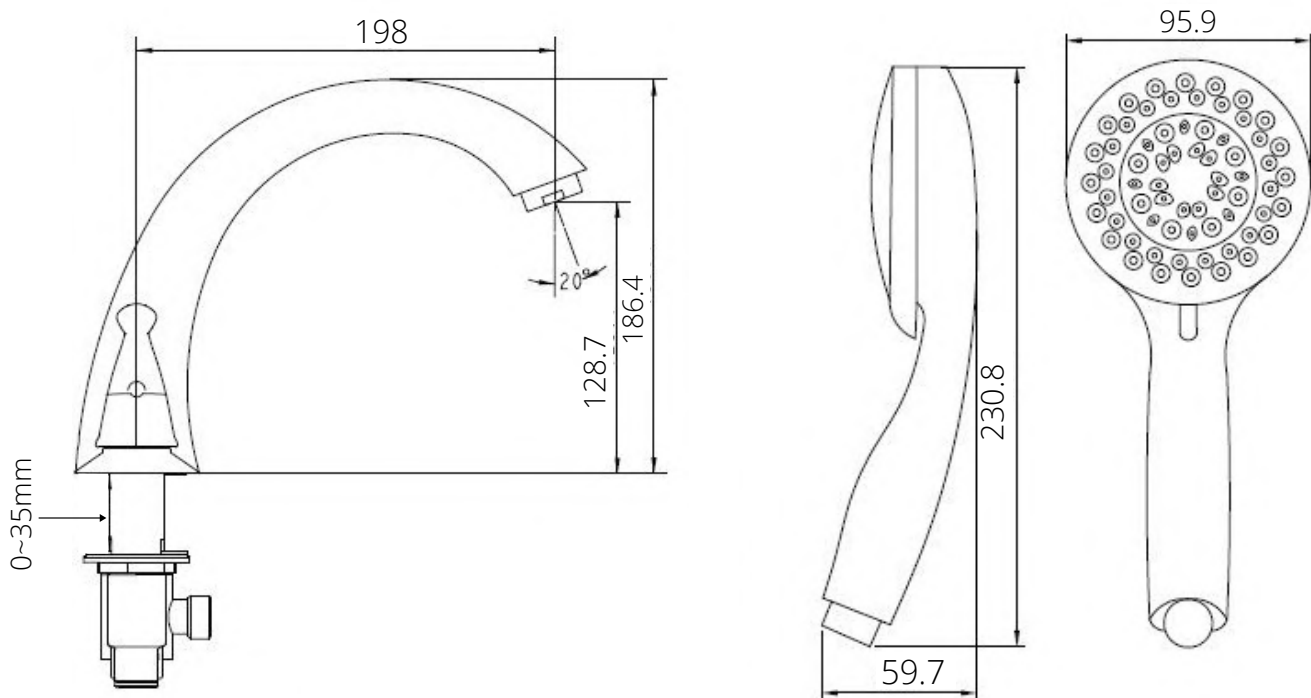
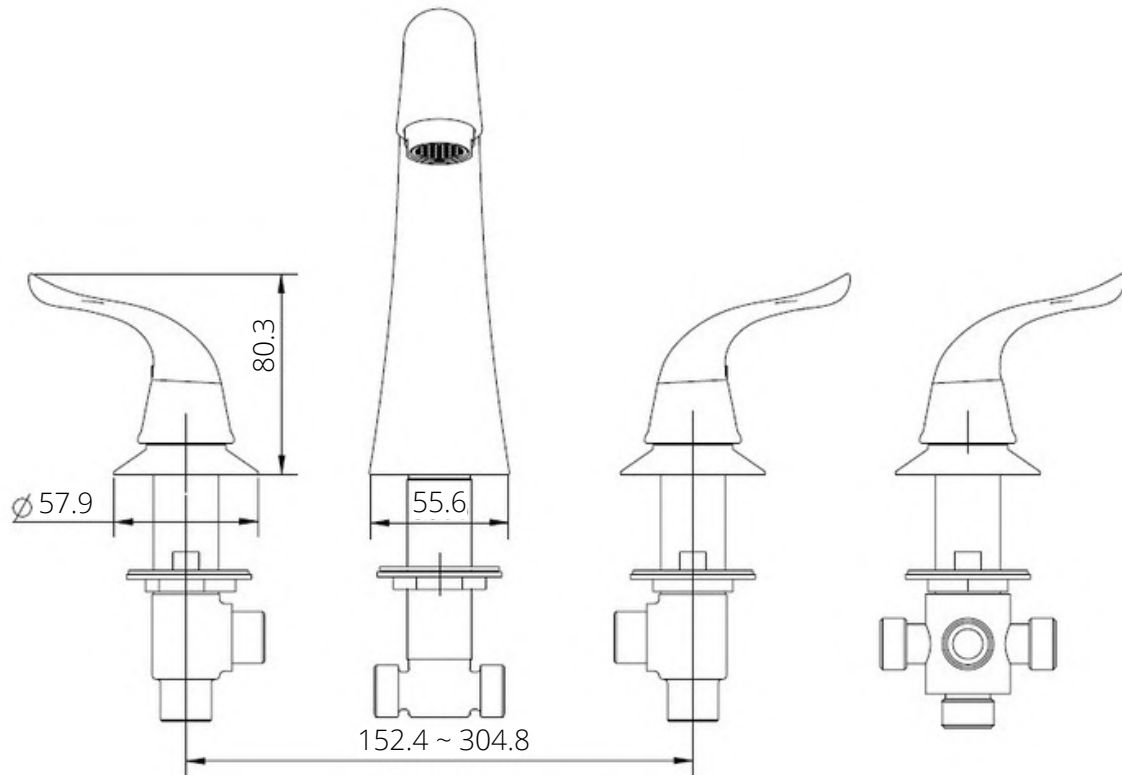
Cartridge

- 40mm high flow cartridge design
- Non metallic/non ferrous and stainless-steel material

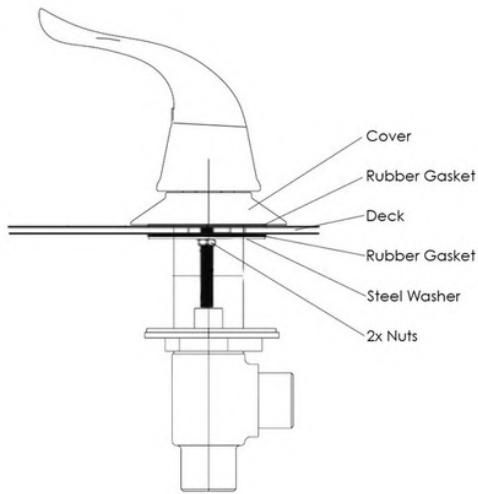


Ella 5 Piece Fast-Fill Faucet Contents

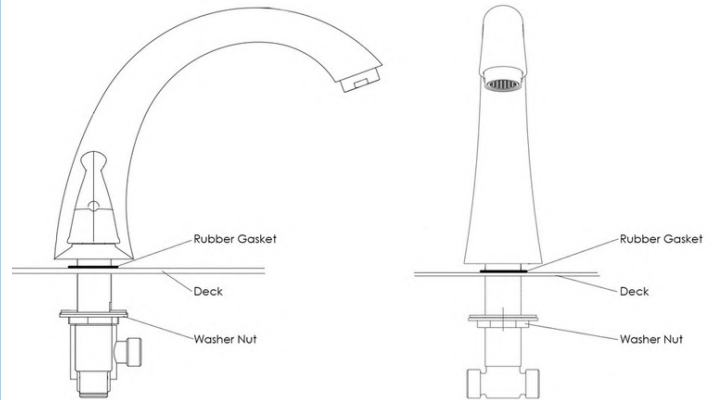




Step-by-step Instructions to install an Ella 5-piece faucet.



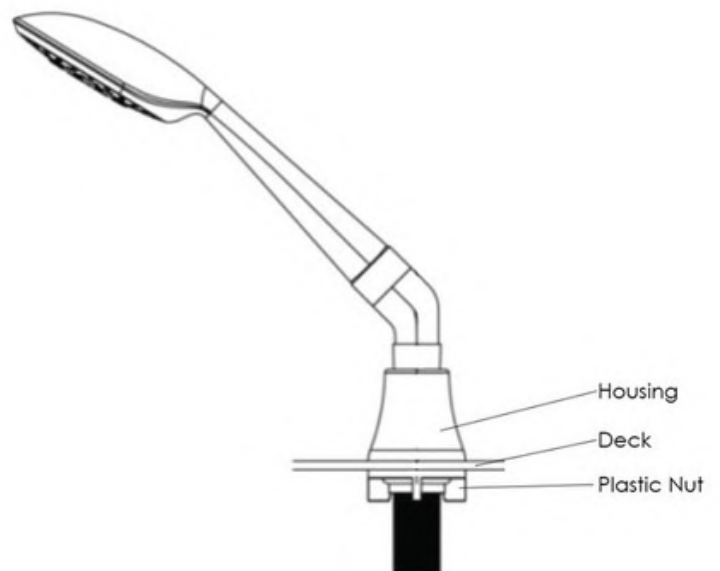
1. Unscrew the 2 nuts securing the steel washer and rubber gasket. In this order, remove the steel washer and rubber gasket, place your lever on the deck, replace the rubber gasket and the steel washer. Firmly secure the 2 nuts to hold the fixture in place.



2. Unscrew the washer nut and place the rubber gasket and spout above the deck. After, secure the washer nut from underneath the deck.

3. Remove the plastic nut and insert your hand mixer and hose into your deck opening. Re-secure the plastic nut underneath the deck to hold the hand mixer and housing firmly in place.

4. Connect the supply lines provided with your Ella 2-Piece Fast Fill Faucet to their respective hot and cold connections.



Ella 2 Piece Single Lever Fast-Fill Faucet

Description

Solid brass spout chrome finish single lever high flow bathtub faucet with diverter button Two (2) 3/4" 5' braided stainless-steel supply lines Pull out hand shower mixer with 5 settings and 5' braided hose in a Chrome or Brushed Nickel finish.

Flow

- Hand shower is limited to 1.9 GPM (7.5L/min)
- Faucet fill rate designed for 18 GPM (68.1L/min)

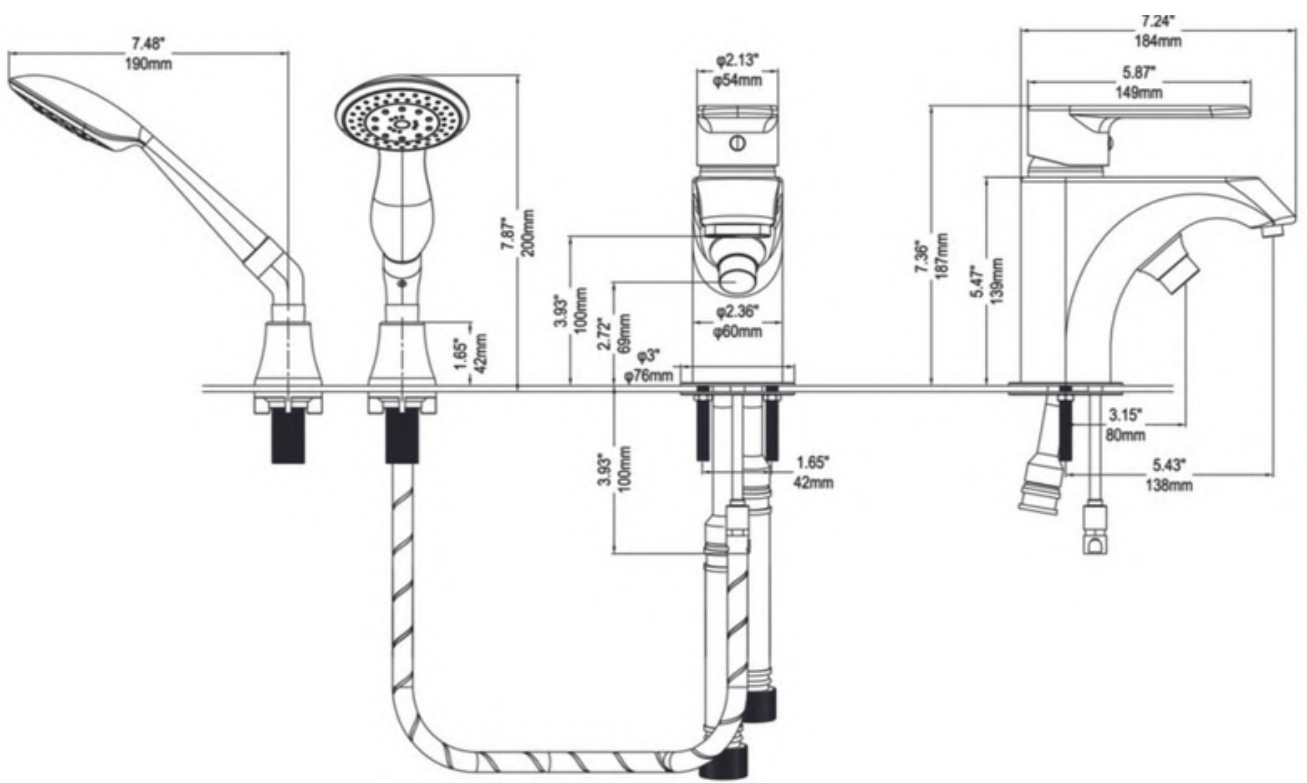
Cartridge

- 40mm high flow cartridge design
- Nonmetallic/nonferrous and stainless-steel material

Standards

- Third party certified to meet: CSA B125.1, ASMEA112.18.1, ICC117.1 and all applicable requirements referenced therein
- Certified to ANSI/NSF 61/9
- ADA for lever/handle
- IAPMO R&T UPC certified

NOTE: This faucet is designed to be installed through: 2-1/2" diameter hole for faucet, 1/3" diameter hole for mounting rods, and a 7/8" diagonal hole for the hand shower.



Replacing A Valve Cartridge

Step-by-step Instructions to replace a valve cartridge for Ella 2-piece faucets.

Step.1 Remove the Hot/Cold screw hole cover.



Step.2 Use an Allen wrench to remove the handle Screw.



Step.3 Take out the handle and remove the brass escutcheon



Step.4 Use a wrench to unscrew the pressure cap.



Step.5 Remove the cartridge and replace it with new piece.

