

Actual Size: 36" x 72" x 40" • (91.44 cm x 182.9 cm x 101.6cm)

Seat Width: 29" • (73.7 cm)

Shipping Size: 39" x 74" x 49" • (76.2 cm x 157.5 cm x 124.5 cm)

Net Weight: 286 lbs. • (130 kg)

Shipping Weight: 429 lbs. • (195 kg)

Drainage Time: +/- 80 seconds at ideal plumbing conditions (unoccupied)

Included Features:

- 1.Acrylic Tub Shell
 - Gloss white finish
 - Fiberglass gelcoat reinforced
- 2.Stainless steel frame with adjustable leveling Legs.
- 3.Plastic composite and tempered glass outward swing door with gear and shaft mechanics for 3 door latches.
- 4.Removable front apron with two access panels.
- 5.One stainless steel chrome finish wall-mounted grab bar.
- 6.Two rubberized stainless steel wall-mounted grab bars.
- 7.Two (2) 2 inch PVC drains with 2 end caps included. Each drain has two (2) 2 inch outlets, one overflow and a stainless steel operated opener with extended handle in chrome finish.

Jetting & Therapy Options:

1.Air + Hydro + Hydro Independent Foot Massage (Multicolor LED Light Included)

OR

2.Air + Hydro + Hydro Independent Foot Massage + Microbubble Therapy (Multicolor LED Light Included)



Jetting Options

Hydro + Hydro Foot Massage

- Hydro + Hydro Massage Pumps (2) 8.1AMP* 972W
- 2 Hydro Massage Intensity Dial Controls
- Ozone Sterilization 1AMP
- 21 jets
- On/Off push control
- In-Line Water Heater 9AMP* 1080W

MicroBubble Therapy System

- 1 HP Pump 10AMP* 1200W
- Pressure Vessel
- On/Off Push Control
- Agitator Valve

Air Massage

- Air Massage Pump 4.5AMP* 540W
- 3 Speed Pump
- Auto-purge (Activates 20 minutes after pump shutdown)
- 16 jets
- On/Off push control



Included Features:

- Digital control pad
- Multicolor LED light .04AMP

Optional Feature

Heated Seat and Backrest 4AMP* 840W

Warranty

- Lifetime limited* warranty on shell, frame, door, and parts to original purchaser/address
- Labor or installation is not covered - please refer to the Ella warranty certificate

Faucet Options

1.No Faucet

2.Five-Piece Fast Fill Faucet

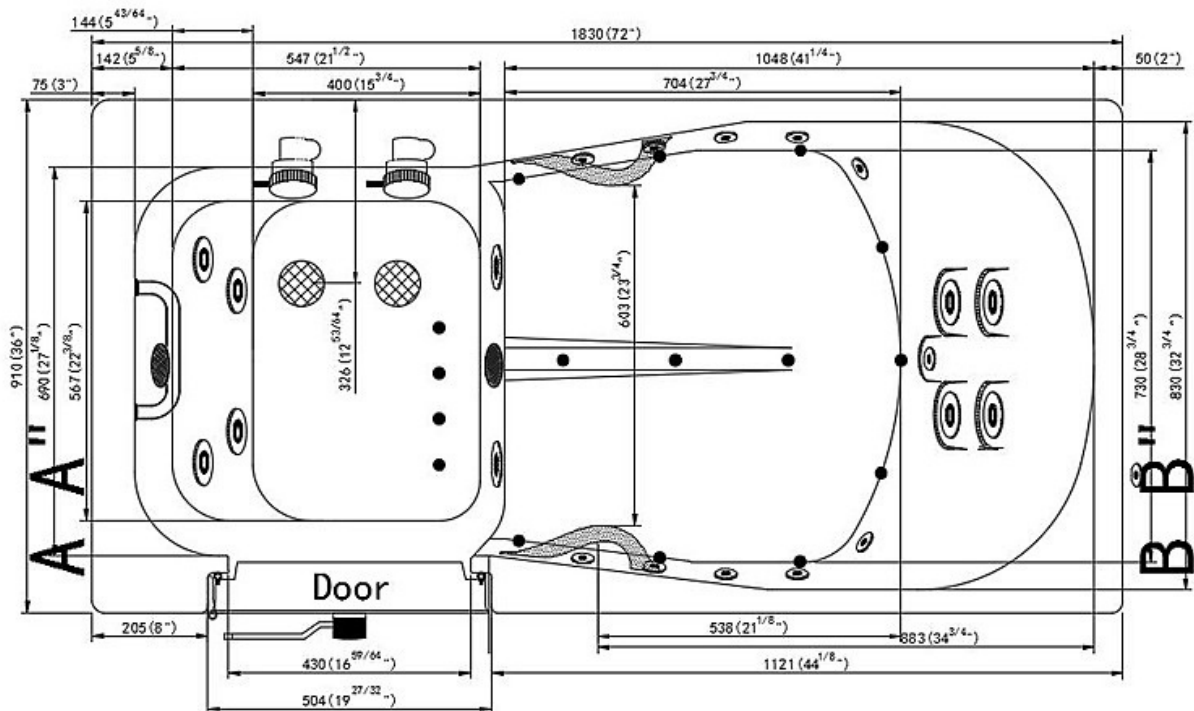
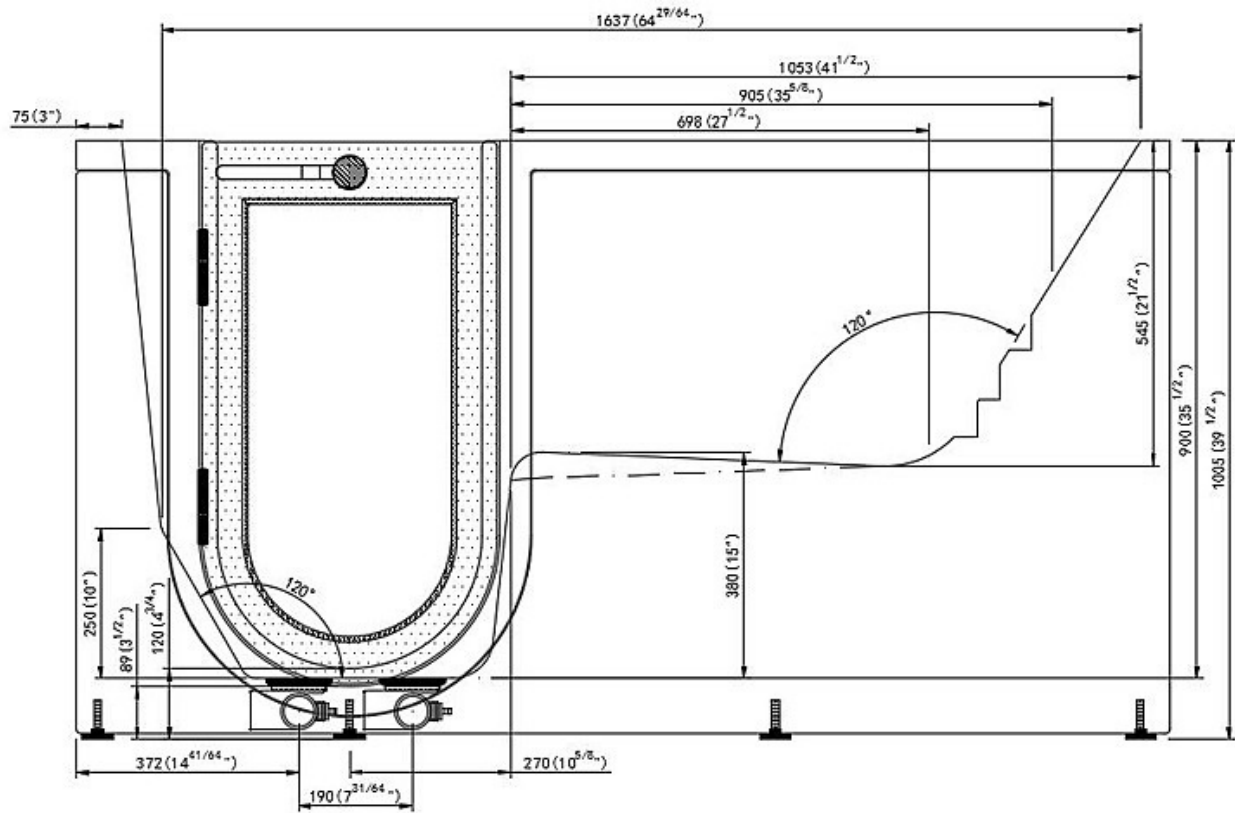
- Up to 18 GPM @ 60 PSI an ideal in-home plumbing conditions
- Two 5' water supply lines with 3/4" connectors
- Pull out, hand held, chrome plated hand shower with a 5' ft. retractable stainless steel braided hose

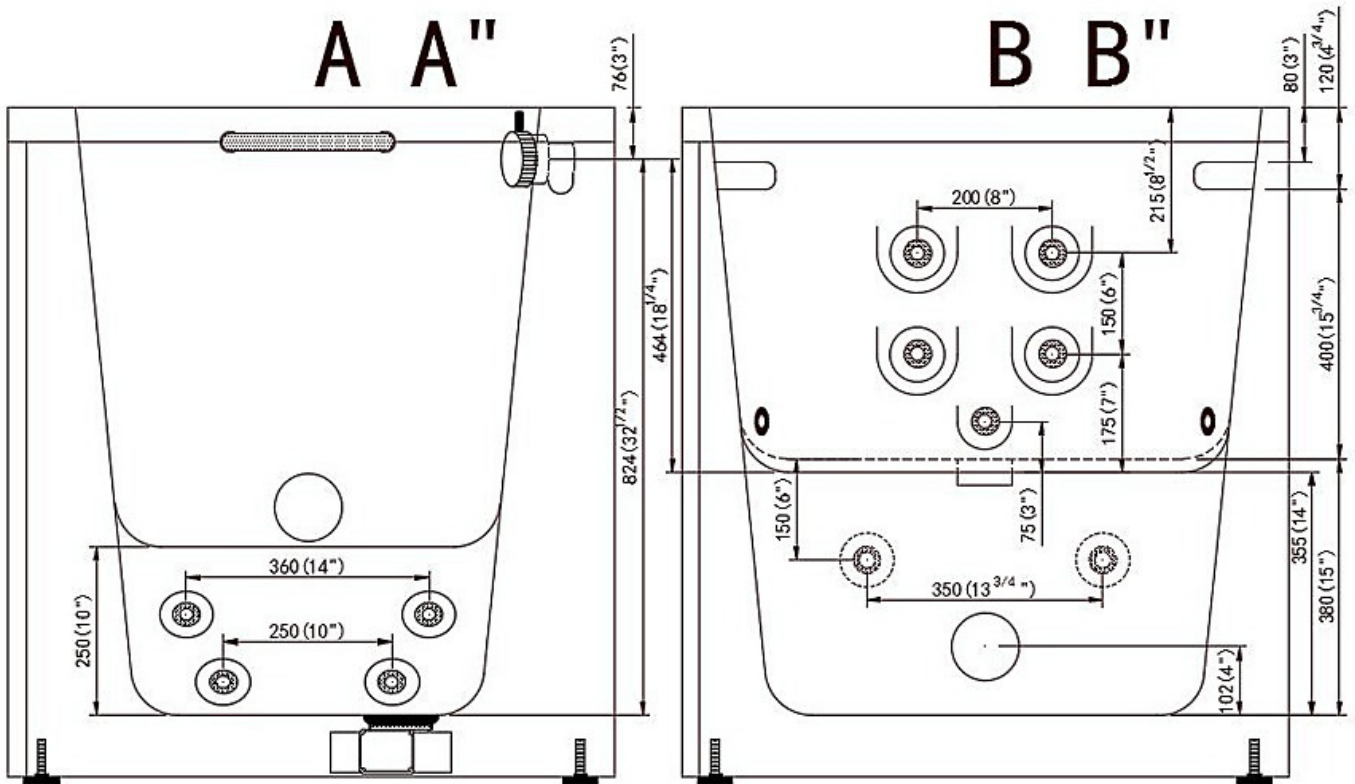


Electrical Requirements

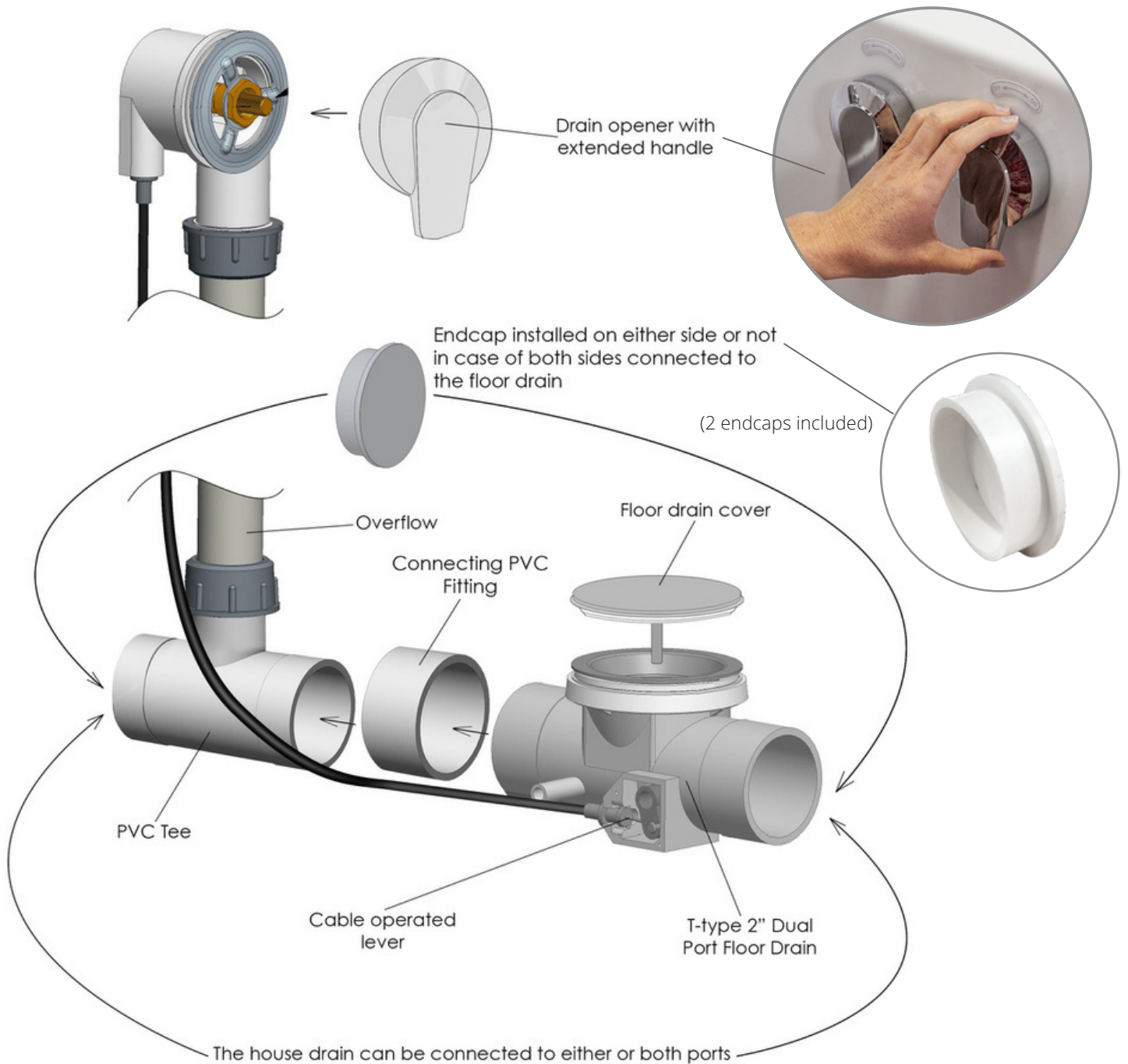
Dedicated GFCI protected electrical line(s) required

Disclaimer*: AMP value for each pump may change based on availability. Please verify before purchase. (800.480.6850)





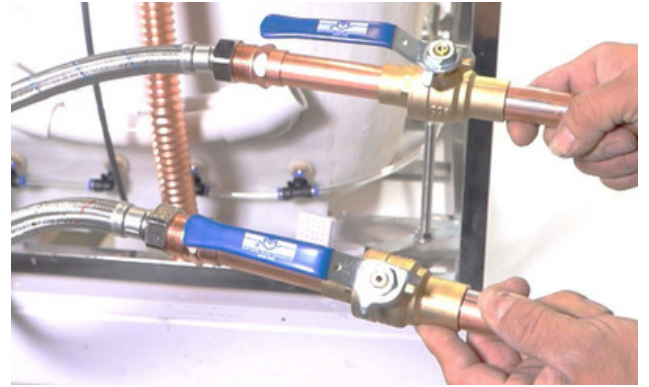
Dual Drain Technology - Two 2 Inch Independent Floor Drains



Two 3/4" connector water supply lines included with Ella Fast Fill Faucets



Connect to Shut Off Valves (not included)

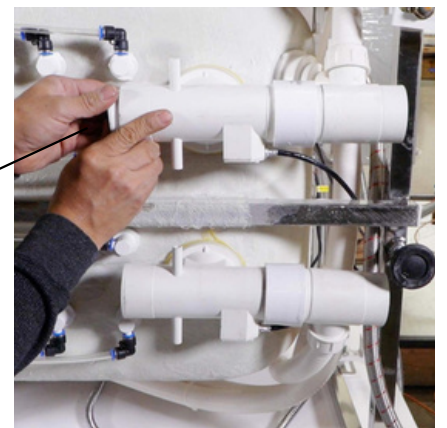


All electrical fixtures connect to a dedicated GFCI protected outlet.



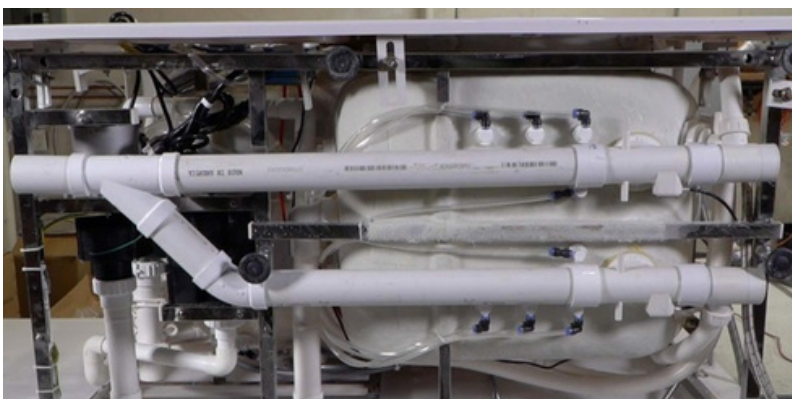
Drain Cap

Use a drain cap to close unused drain port.



T-Type four (4) 2" drain ports allow for the drain pipe to be installed in either direction.

Images below show examples of PVC pipe connections (not included). Reducers can be used to connect smaller drain pipes.



Description

Solid brass spout in a chrome finish with a 5-setting pull out hand shower mixer including a 5' braided hose.

Two 3/4" 5' braided stainless-steel supply lines are included along with Cold/Hot levers with a diverter for the hand mixer.

Flow

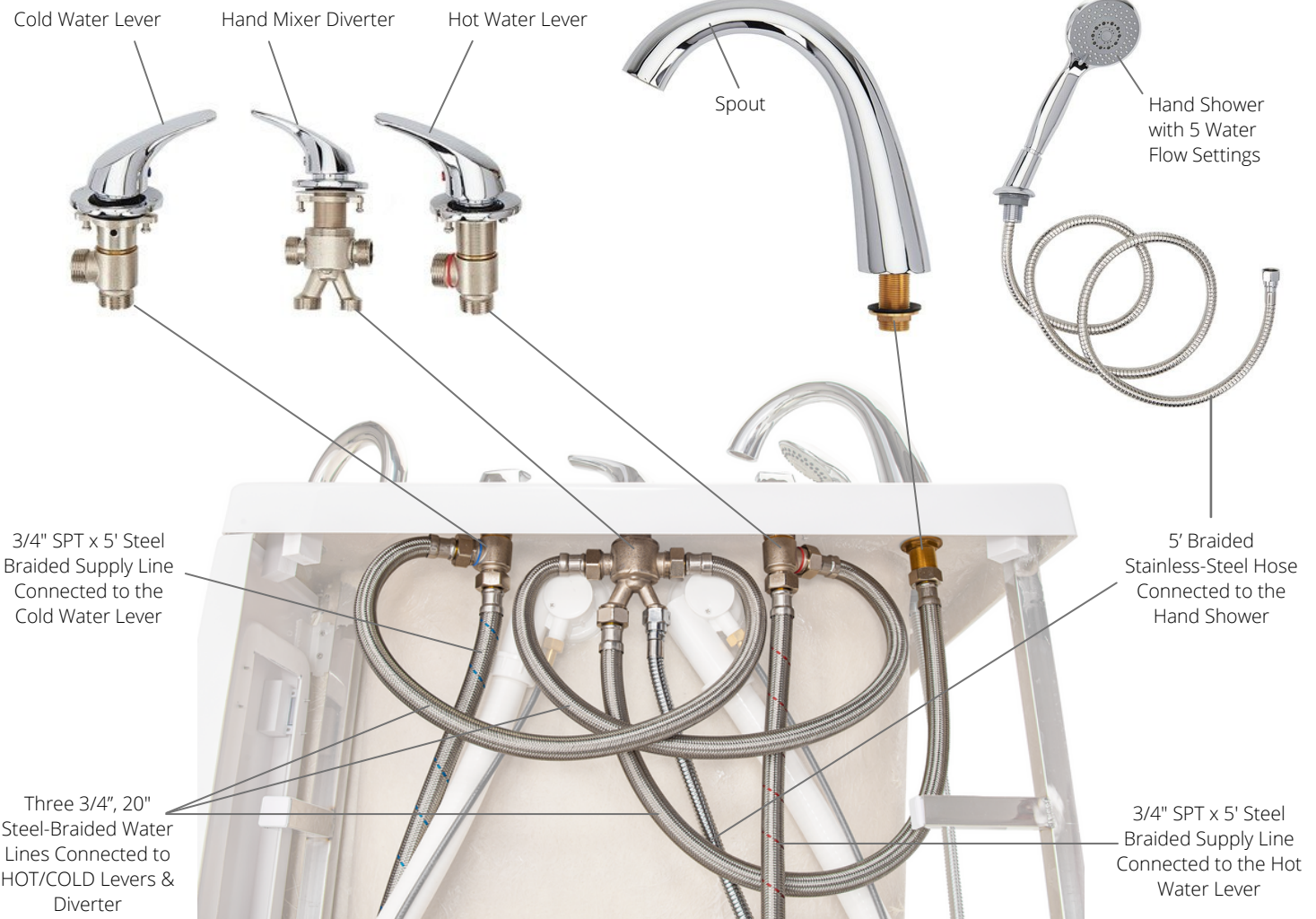
- Hand shower is limited to 1.9 GPM (7.5L/min)
- Faucet fill rate designed for 18 GPM (68.1L/min)

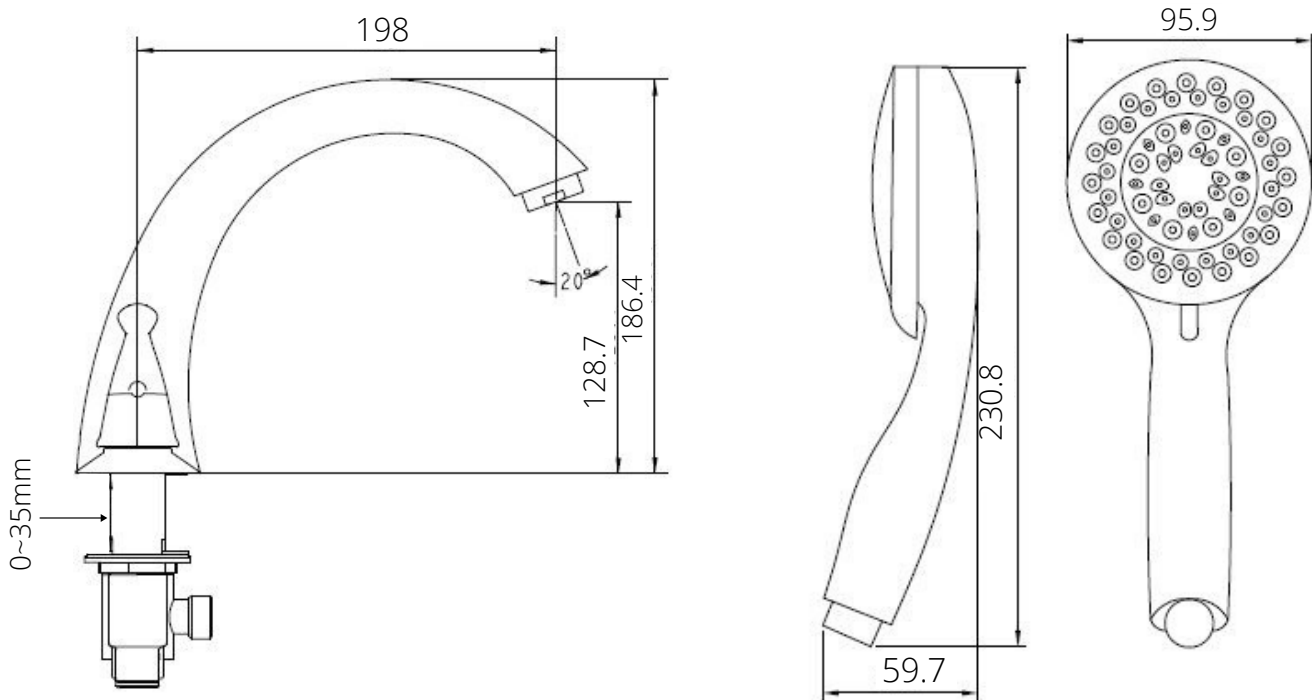
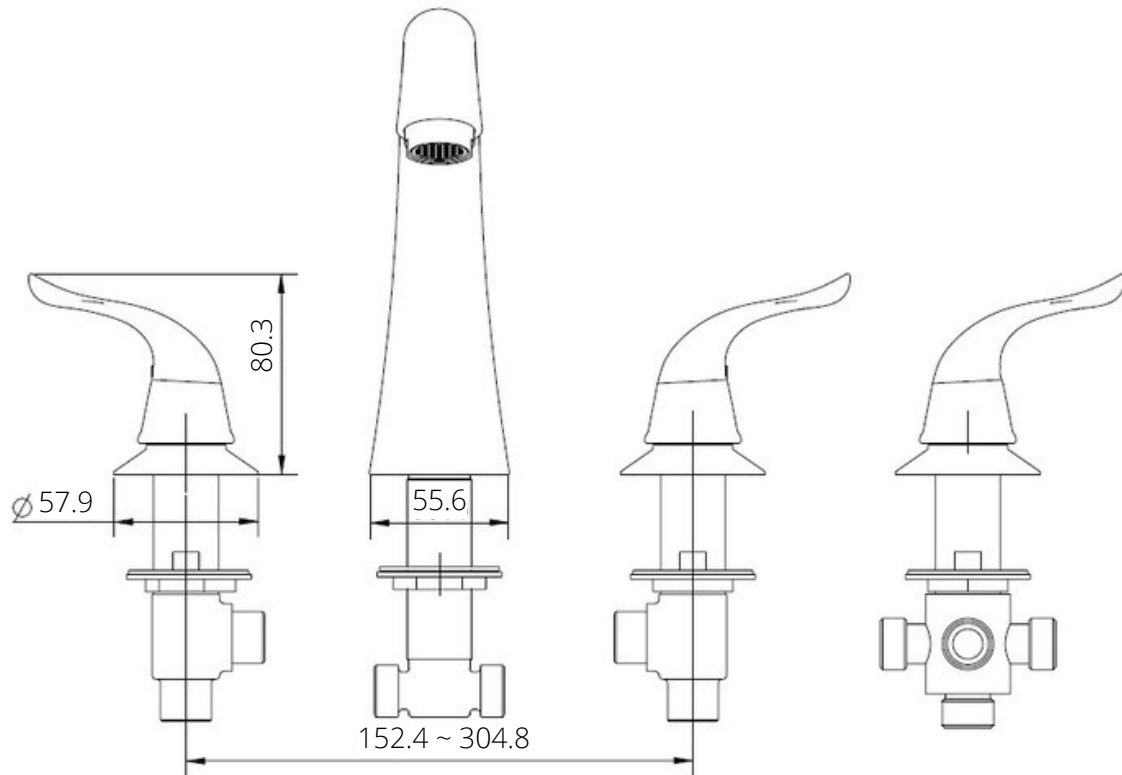
Cartridge

- 40mm high flow cartridge design
- Nonmetallic/nonferrous and stainless-steel material

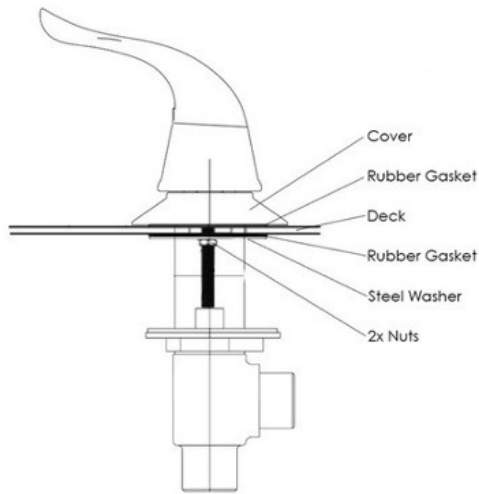


Ella 5 Piece Fast-Fill Faucet Contents

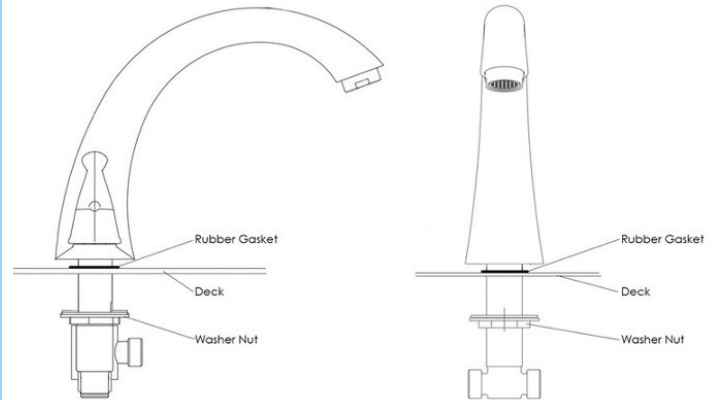




Step-by-step Instructions to install an Ella 5-piece faucet.



1. Unscrew the 2 nuts securing the steel washer and rubber gasket. In this order, remove the steel washer and rubber gasket, place your lever on the deck, replace the rubber gasket and the steel washer. Firmly secure the 2 nuts to hold the fixture in place.



2. Unscrew the washer nut and place the rubber gasket and spout above the deck. After, secure the washer nut from underneath the deck.

3. Remove the plastic nut and insert your hand mixer and hose into your deck opening. Re-secure the plastic nut underneath the deck to hold the hand mixer and housing firmly in place.

4. Connect the supply lines provided with your Ella 2-Piece Fast Fill Faucet to their respective hot and cold connections.

