

**Actual Size:** 27.5" x 52.25" x 38" • (69.85 cm x 132.715 cm x 96.52 cm)

**Seat Width:** 19.75" • (50.165 cm)

**Shipping Size:** 31" x 57" x 47" • (78.74 cm x 144.78 cm x 119.38 cm)

**Shipping Weight:** 305 lbs. • (138.35 kg)

**Net Weight:** 200 lbs. • (90.72 kg)

**Occupied Water Capacity:** 30-50 gal. • (113-189 L)

**Drainage Time:** +/- 80 seconds at ideal plumbing conditions (unoccupied)

### Included Features:

1. Acrylic Tub Shell
  - Gloss white finish
  - Fiberglass gelcoat reinforced
2. Stainless steel frame with adjustable leveling Legs.
3. Inward swinging removable brushed stainless steel door with a frosted tempered glass.
4. Removable front apron with two access panels.
5. One removable and reversible end panel.
6. Stainless steel chrome finish U-shape deck-mounted grab bar.
7. Removable swivel tray in a white matte finish.
8. Two (2) 2 inch PVC drains with 2 end caps included. Each drain has two (2) 2 inch outlets, one overflow and a stainless steel operated opener with extended handle in chrome finish.

### Jetting & Therapy Options:

1. Air + Hydro (Multicolor LED Light Included)
2. Hydro + Hydro Independent Foot Massage (Multicolor LED Light Included)
3. Hydro Massage (Multicolor LED Light Not Included)
4. Hydro Massage + Microbubble (Multicolor LED Light Included)
5. Soaking Option Only (Multicolor LED Light Not Included)



## Jetting Options

### Hydro Massage

- Hydro Massage Pump 5AMP 600W \*
- Hydro Massage Intensity Dial Control
- Ozone Sterilization 1AMP
- 14 jets
- On/Off Push Control
- In-line Water Heater 5.5AMP 650W \*

### Hydro + Hydro Foot Massage

- 2 Hydro Massage Pumps 2x 5AMP 600W\*
- 2 Hydro Massage Intensity Dial Controls
- Ozone Sterilization
- 16 jets
- On/Off push control
- In-Line Water Heater 5.5AMP 650W \*

### Air Massage

- Air Massage Pump 4.5AMP 486W \*
- 3 Speed Pump
- Auto-purge (Activates 20 minutes after pump shutdown)
- 16 jets
- On/Off push control

### Microbubble Therapy

- Air Pressure Pump 10AMP 1200W \*
- Pressure Tank
- On/Off push control

## Faucet Options

### 1. Five-Piece Fast Fill Faucet

- Up 10 18 GPM @ 60 PSI an ideal in-home plumbing conditions
- Two 5' water supply lines with 3/4" connectors
- Pull out, hand held, chrome plated hand shower with a 5' ft. retractable stainless steel braided hose

### 2. Two-Piece Fast Fill Faucet

- Up 10 16 GPM @ 60 PSI an ideal in-home plumbing conditions
- Two 5' water supply lines with 3/4" connectors
- Pull out, hand held, chrome plated hand shower with a 5' ft. retractable stainless steel braided hose

### Optional Features

1. Heated Seat and Backrest 4AMP 470W
2. Digital Controller

**Note:** Multicolor LED light .04AMP with On/Off push control is included with the following dual packages: Hydro + Air, Hydro + Micro, Hydro + Hydro

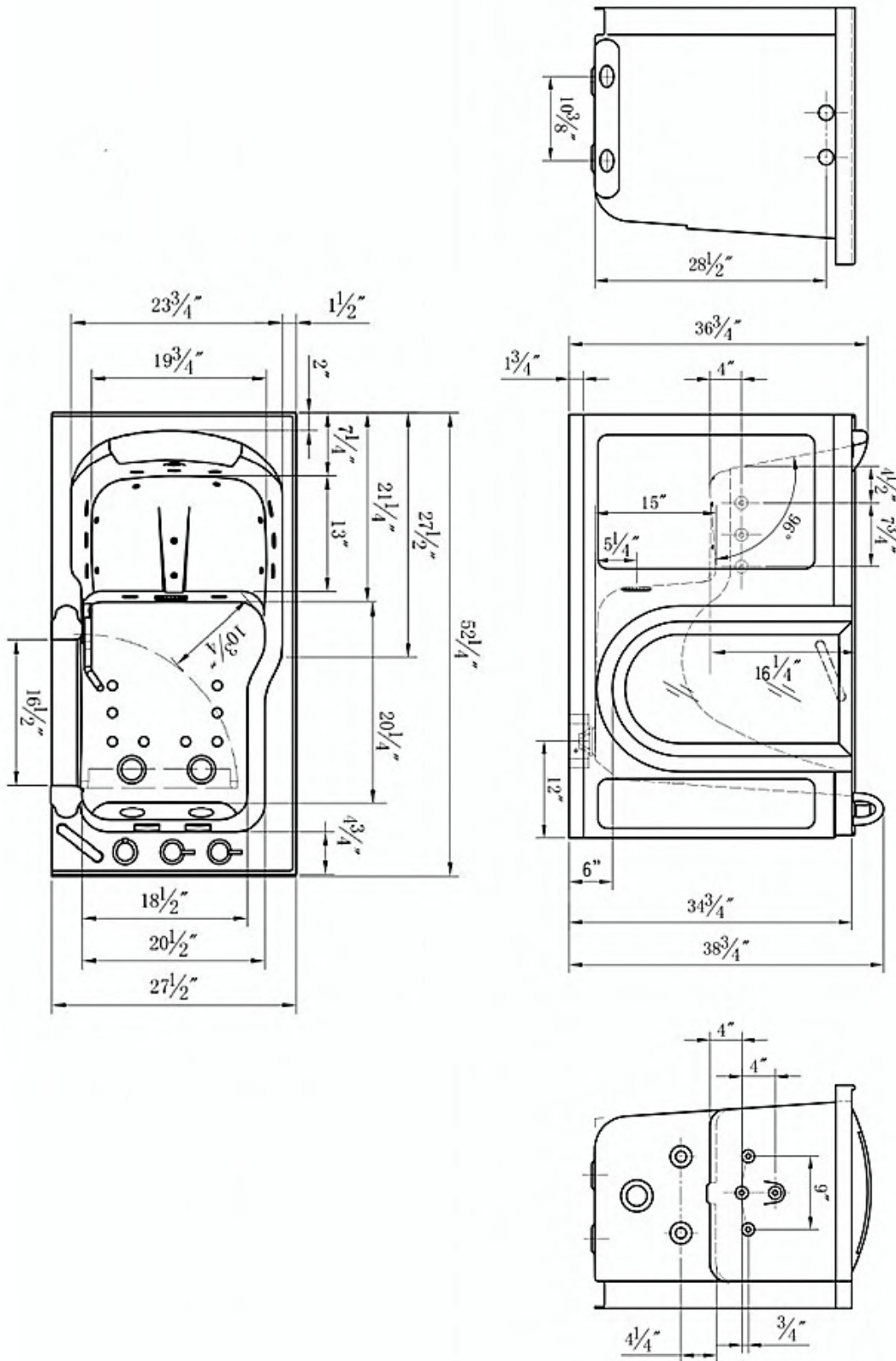
**Disclaimer\*:** AMP value for each pump may change based on availability. Please verify before purchase. (800.480.6850)

### Electrical Requirements

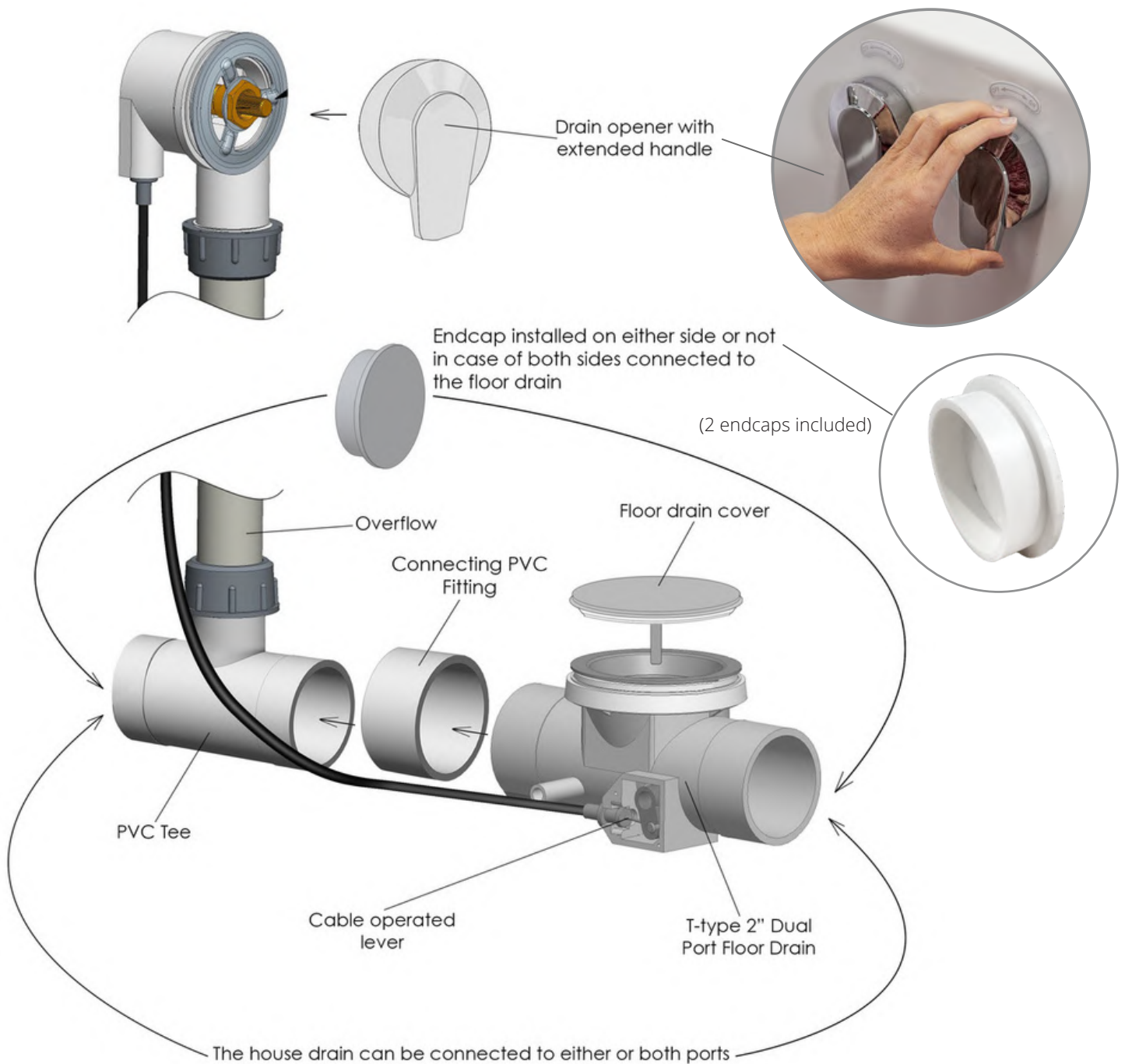
Dedicated GFCI protected electrical line(s) required

### Warranty

- Lifetime limited\* warranty on shell, frame, door, and parts to original purchaser/Address
- Labor or installation is not covered - please refer to the Ella warranty certificate
- Non Ella brand faucets covered under manufacturers original warranty



## Dual Drain Technology - Two 2 Inch Independent Floor Drains



Two 3/4" connector water supply lines included with Ella Fast Fill Faucets



Connect to Shut  
Off Valves  
(not included)



All electrical fixtures  
connect to a dedicated  
GFCI protected outlet.



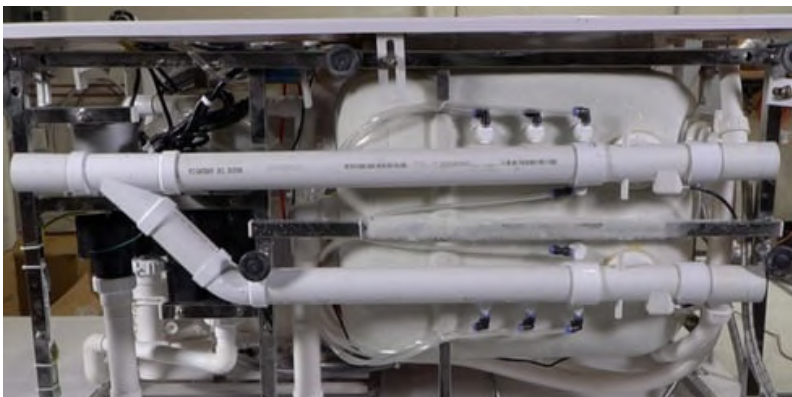
Drain Cap

Use a drain cap to close  
unused drain port.



T-Type four (4) 2" drain ports  
allow for the drain pipe to be  
installed in either direction.

Images below show examples of PVC pipe  
connections (not included). Reducers can  
be used to connect smaller drain pipes.



**Description**

Solid brass spout in a chrome finish with a 5-setting pull out hand shower mixer including a 5' braided hose. Two 3/4" 5' braided stainless-steel supply lines are included along with Cold/Hot levers with a diverter for the hand mixer.

**Flow**

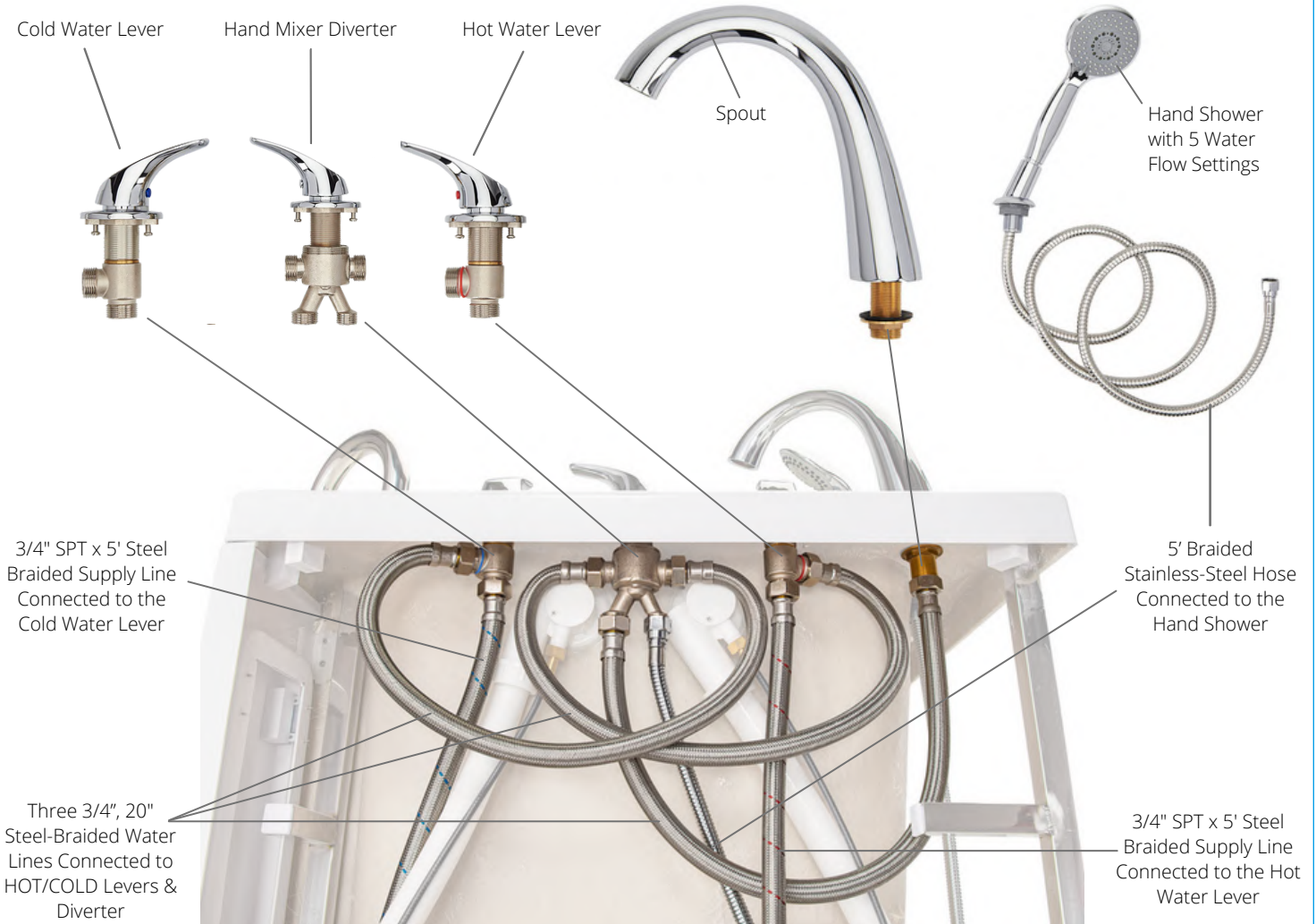
- Hand shower is limited to 1.9 GPM (7.5L/min)
- Faucet fill rate designed for 18 GPM (68.1L/min)

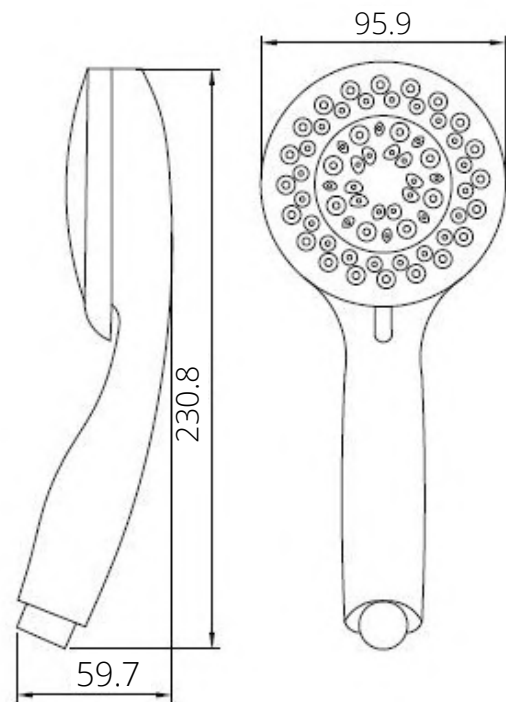
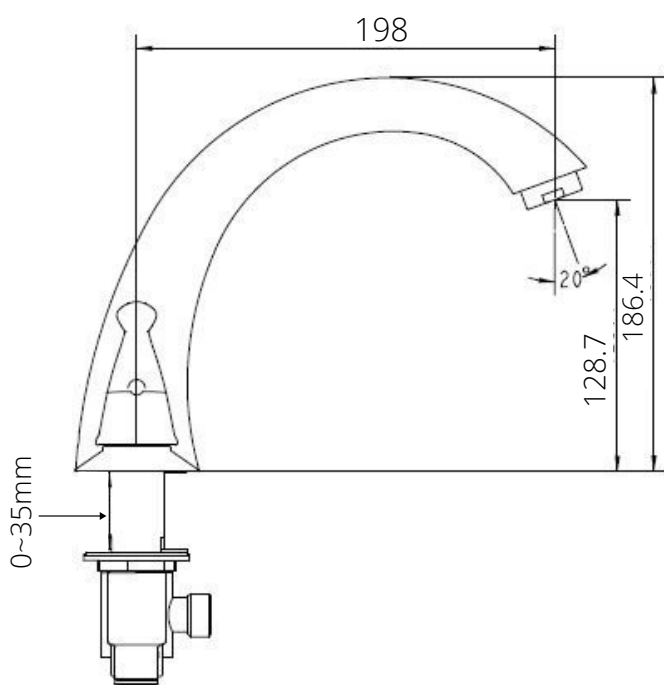
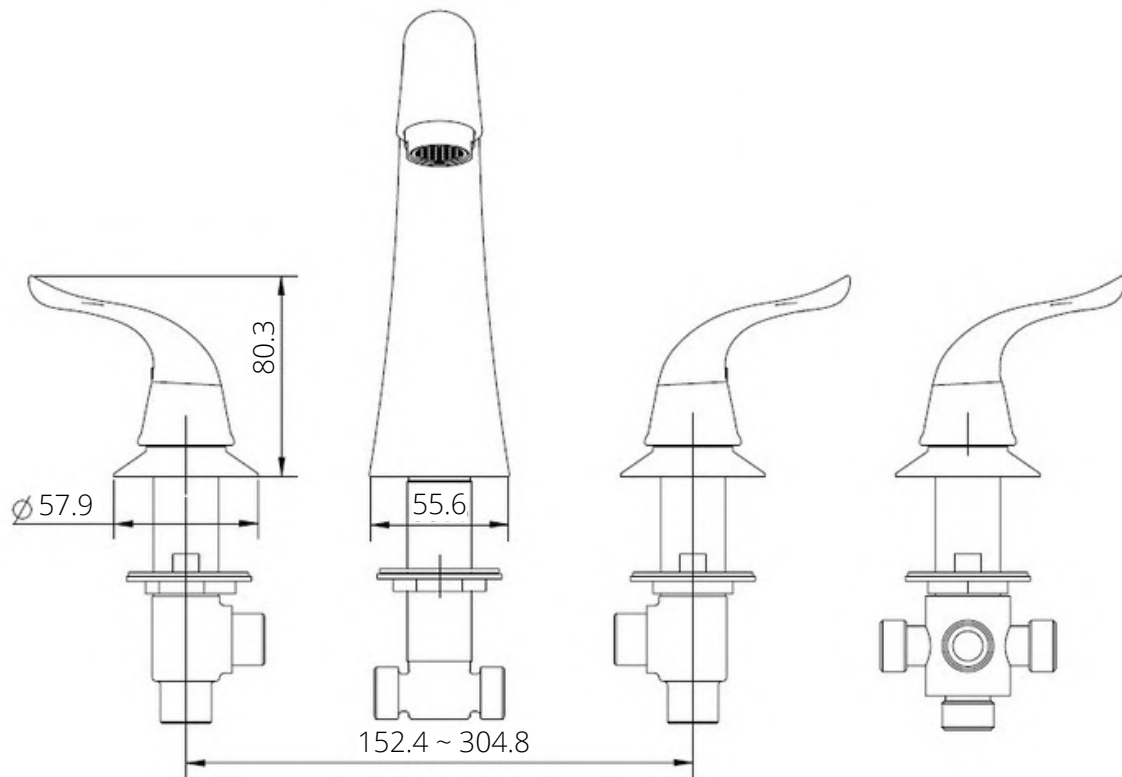
**Cartridge**

- 40mm high flow cartridge design
- Nonmetallic/nonferrous and stainless-steel material

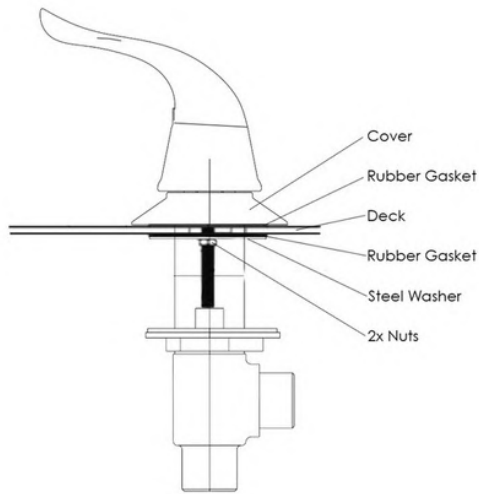


## Ella 5 Piece Fast-Fill Faucet Contents

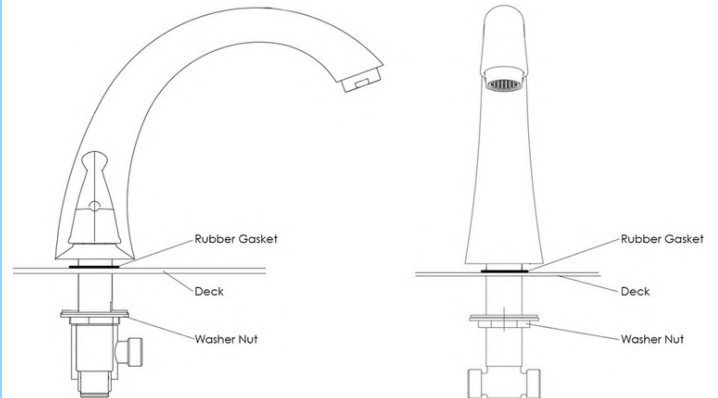




Step-by-step Instructions to install an Ella 5-piece faucet.



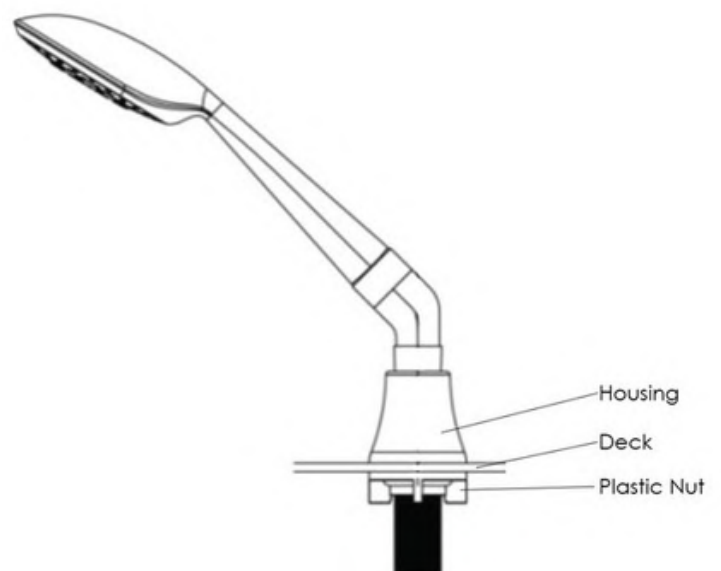
**1.** Unscrew the 2 nuts securing the steel washer and rubber gasket. In this order, remove the steel washer and rubber gasket, place your lever on the deck, replace the rubber gasket and the steel washer. Firmly secure the 2 nuts to hold the fixture in place.



**2.** Unscrew the washer nut and place the rubber gasket and spout above the deck. After, secure the washer nut from underneath the deck.

**3.** Remove the plastic nut and insert your hand mixer and hose into your deck opening. Re-secure the plastic nut underneath the deck to hold the hand mixer and housing firmly in place.

**4.** Connect the supply lines provided with your Ella 2-Piece Fast Fill Faucet to their respective hot and cold connections.





# Ella 2 Piece Single Lever Fast-Fill Faucet

## Description

Solid brass spout chrome finish single lever high flow bathtub faucet with diverter button Two (2) 3/4" 5' braided stainless-steel supply lines Pull out hand shower mixer with 5 settings and 5' braided hose in a Chrome or Brushed Nickel finish.

## Flow

- Hand shower is limited to 1.9 GPM (7.5L/min)
- Faucet fill rate designed for 18 GPM (68.1L/min)

## Cartridge

- 40mm high flow cartridge design
- Nonmetallic/nonferrous and stainless-steel material

## Standards

- Third party certified to meet: CSA B125.1, ASMEA112.18.1, ICC117.1 and all applicable requirements referenced therein
- Certified to ANSI/NSF 61/9
- ADA for lever/handle
- IAPMO R&T UPC certified

**NOTE:** This faucet is designed to be installed through:

2-1/2" diameter hole for faucet, 1/3" diameter hole for mounting rods, and a 7/8" diagonal hole for the hand shower.

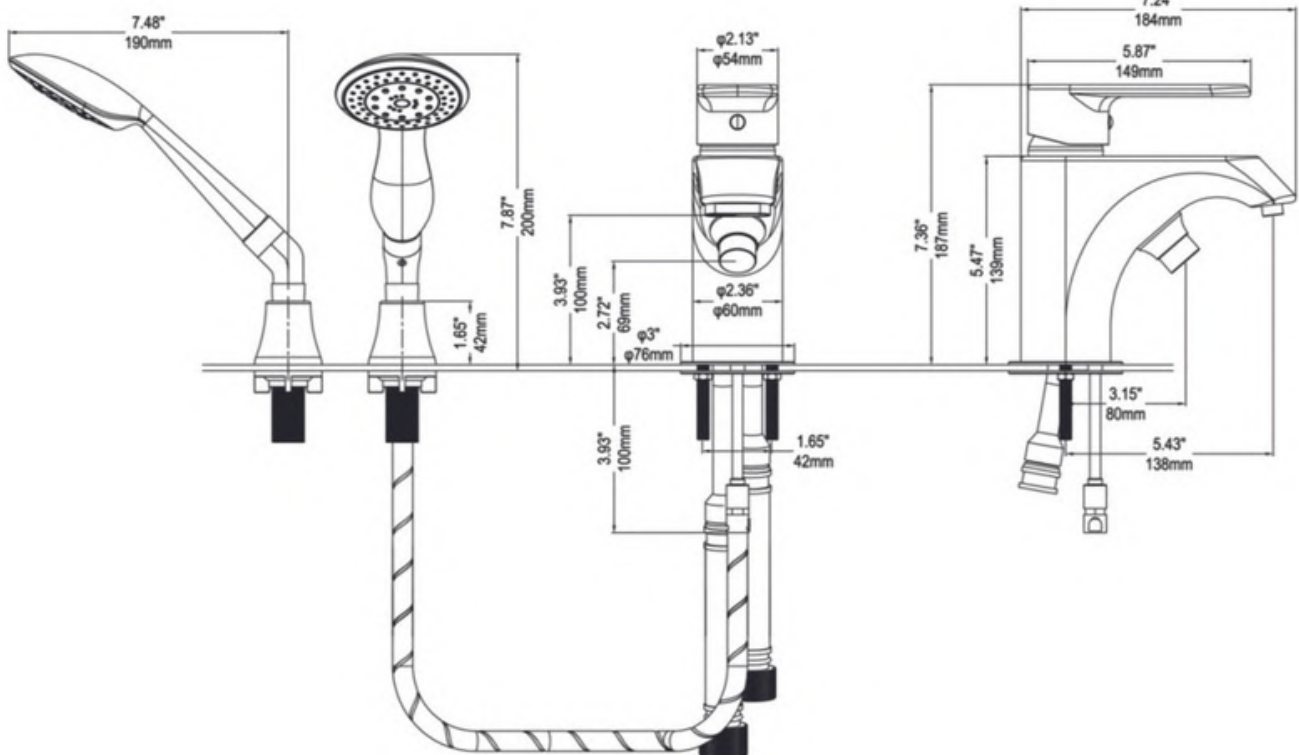
Hold and Cold ON/OFF Lever

Brushed Nickel Finish

Spout

Chrome Finish

ON/OFF Push Diverter For the Hand Shower





# Replacing A Valve Cartridge

Step-by-step Instructions to replace a valve cartridge for Ella 2-piece faucets.

Step.1 Remove the Hot/Cold screw hole cover.



Step.2 Use an Allen wrench to remove the handle Screw.



Step.3 Take out the handle and remove the brass escutcheon



Step.4 Use a wrench to unscrew the pressure cap.



Step.5 Remove the cartridge and replace it with new piece.

