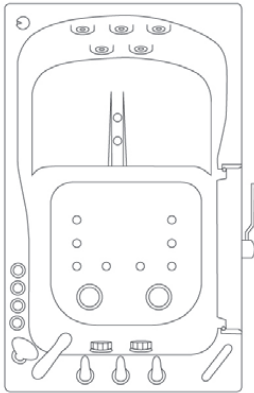


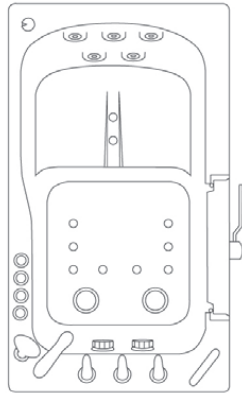


# ELLA ACRYLIC WALK IN BATHTUBS OWNERS MANUAL

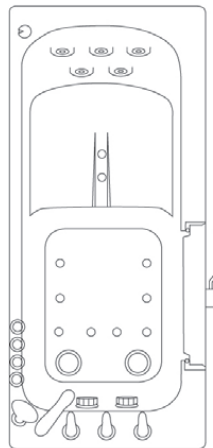
**Customer Support #: 800 480 6850**  
**Email: [info@ellasbubbles.com](mailto:info@ellasbubbles.com)**



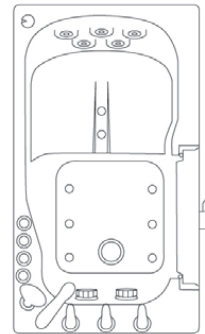
**Monaco**  
OA3252 L / OA3252 R



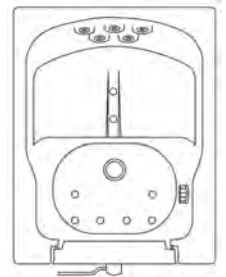
**Capri**  
OA3052 L / OA3052 R



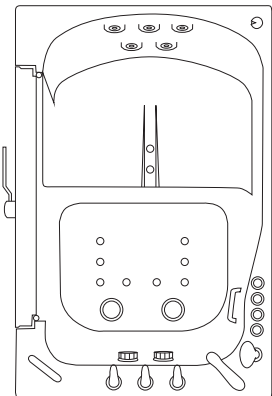
**Lounger**  
OA2660 L / OA2660 R



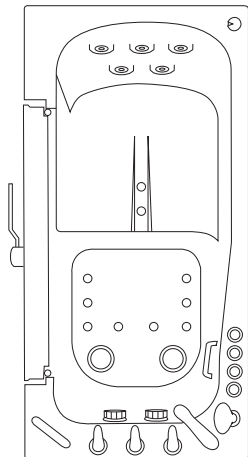
**Mobile**  
OA2645 L / OA2645 R  
Single Drain



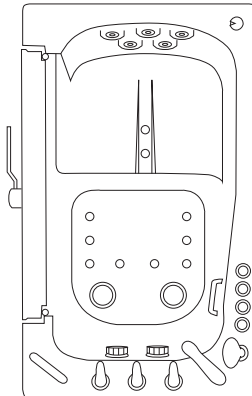
**Front Entry**  
OAF3240 L / OAF3240 R  
Single Drain



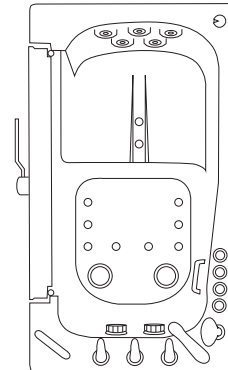
**TransferXXXL**  
OLA3655 L / OLA3655 R



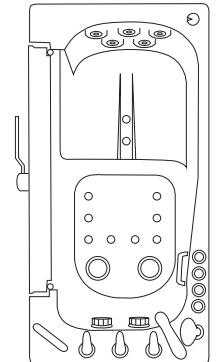
**Transfer60**  
OLA3060 L / OLA3060 R



**Transfer32**  
OLA3252 L / OLA3252 R



**Transfer30**  
OLA3052 L / OLA3052 R



**Transfer26**  
OLA2652 L / OLA2652 R

Unpacking and Inspecting.....1

Warnings and Labels..... 2 - 4

Moving your Ella Walk In Bath..... 5

Important Safety Instructions..... 6 - 7

Required Steps Prior to Installation..... 8

Drain and Plumbing Positioning Options..... 9 - 14

Door and Frame Adjustments..... 15 - 17

Door Handle Instructions..... 18

Installation of Deck Mount Grab Bar..... 19

Installing Extension Kit..... 20

Finishing installation..... 21

Operations Instructions..... 22 - 28

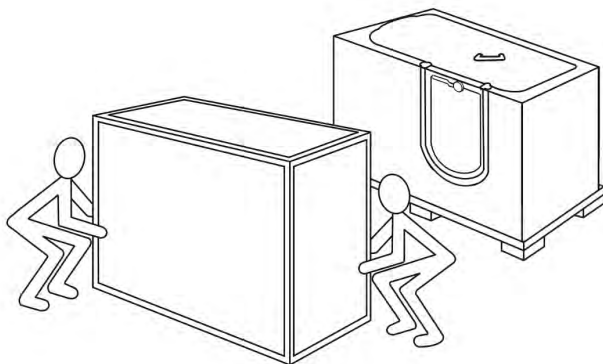
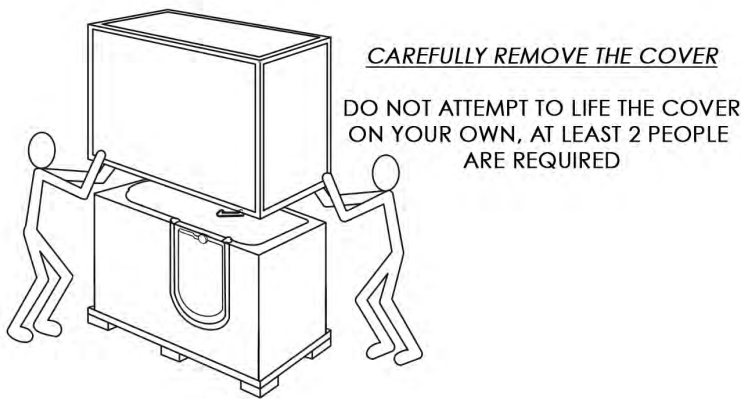
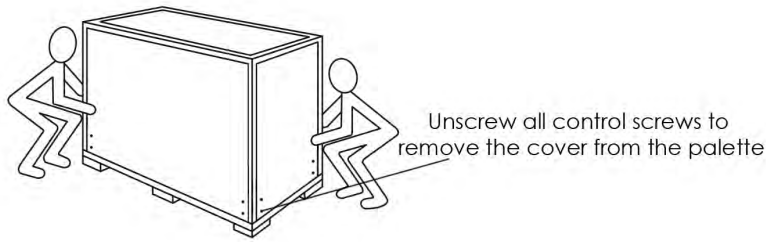
Warranty..... 29 - 31

**IMPORTANT**

Warranty Activation Form **MUST** be completed for both the Owner and Installer to validate the warranty.

Failure to complete both pages will void the warranty on this bathtub.

Completed Ella Warranty Activation Forms can be emailed to [warranty@ellasbubbles.com](mailto:warranty@ellasbubbles.com), faxed to 312.666.3551, OR mailed to 2101 S. Carpenter St., Chicago, IL 60608



Inspect the carton for damage: Take a picture if possible.

**CAREFULLY RECORD ALL PERCEIVED DAMAGE**

**DO NOT LIFT THE TUB BY THE PLUMBING.** Doing so can result in leaks, for which the installer is responsible. All Walk-In Tubs are water tested before they leave our factory and the bath tub you have purchased has passed inspection.

Inspect the plumbing for any fittings that may have loosened in transit.

**You must follow all the instructions in this manual.**

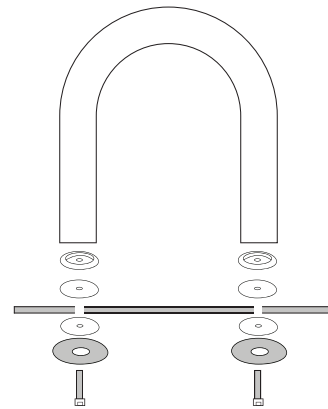
**FAILURE TO READ AND COMPLY WITH ALL INSTRUCTIONS CAN RESULT IN PRODUCT DAMAGE OR INJURY TO BOTH INSTALLER AND HOMEOWNER. IT WILL ALSO RESULT IN ASSUMPTION OF ALL LIABILITY BY SAID INSTALLER**

**NOTE:** Returns are only accepted in original packaging used for shipping. Use caution so as not to damage cardboard crate or its wooden pallet. Do not dispose of shipping material until installation is complete. Please visit our website, [www.ellasbubbles.com](http://www.ellasbubbles.com) for complete details of return/exchange policy.

Your Ella's bathtub comes with several warning label stickers throughout and are as follows:

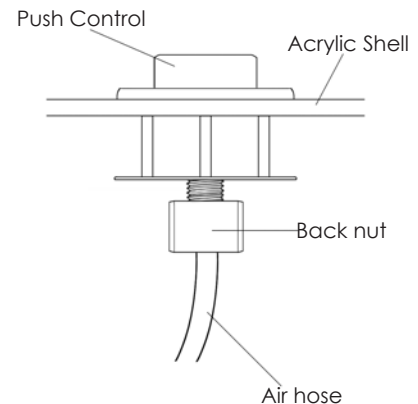
**WARNING**

GRAB BAR WASHERS MUST BE INSTALLED TO PREVENT CRACKING OF THE ACRYLIC SHELL. WARRANTY IS VOID OTHERWISE



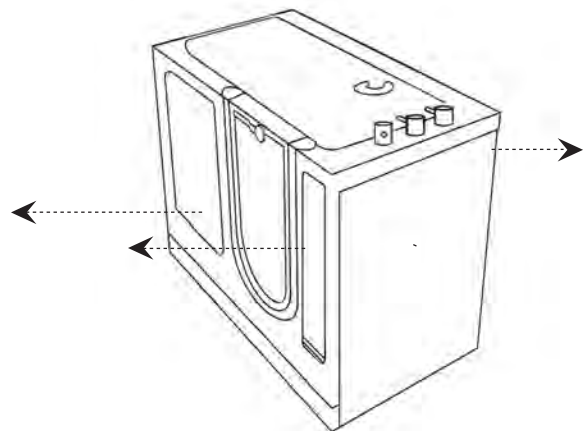
**WARNING**

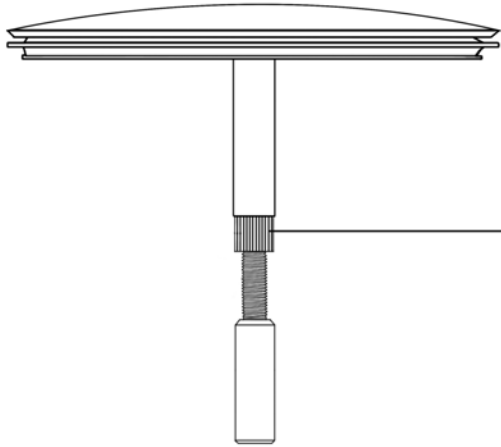
MAKE SURE AIR PIPE CONNECTION TO PUSH CONTROLS IS PROPERLY TIGHTENED AND THAT PUSH CONTROLS ARE FUNCTIONING PROPERLY BEFORE FINALIZING INSTALLATION OF TUB



**WARNING**

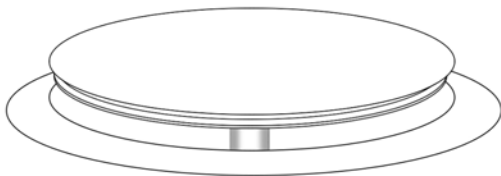
REMOVE END PANELS BEFORE ATTEMPTING TO MOVE OR CARRY. FAILURE TO DO SO CAN LEAD TO DAMAGING AIR JETS AND OTHER COMPONENTS OF THE BATHTUB



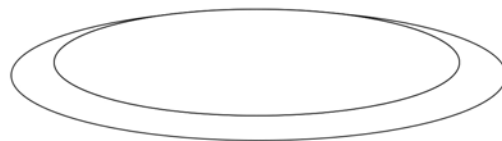


Backnut ***MUST*** be securely tightened. Failure to do so will cause loosening over time resulting in it coming apart and falling down the drain.

Drain open  
all the way



Drain closed  
completely

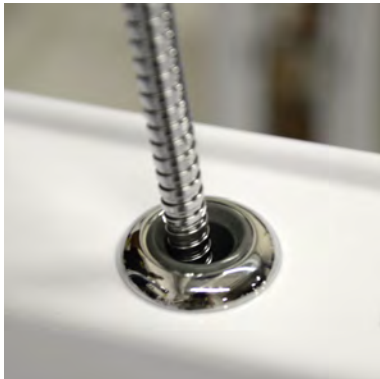


Drain must open completely to drain properly and close completely to avoid unnecessary drainage.

# WARNING!

## PLEASE READ BEFORE BEGINNING INSTALLATION

**WARNING:** Do not attach the hand held shower to the wall unless you have an extension hose with a barrel protection. This may cause water to leak behind your walk in tub.



Water from the hose can drip down into the hand shower base and get behind your tub without the barrel protection.

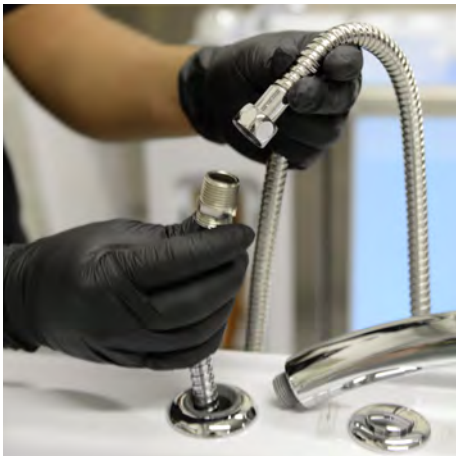
### TO INSTALL BARREL EXTENSION HOSE:



1) Start by unscrewing your shower head mixer from the hose.



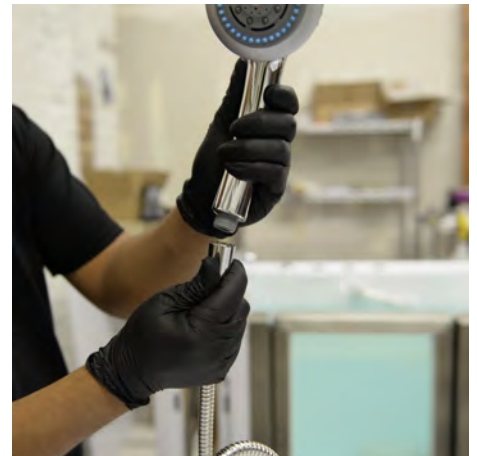
2) Next take your stainless steel barrel and screw it on the end of the hose.



3) Take your extension hose and screw it end to the opposite side of the barrel.

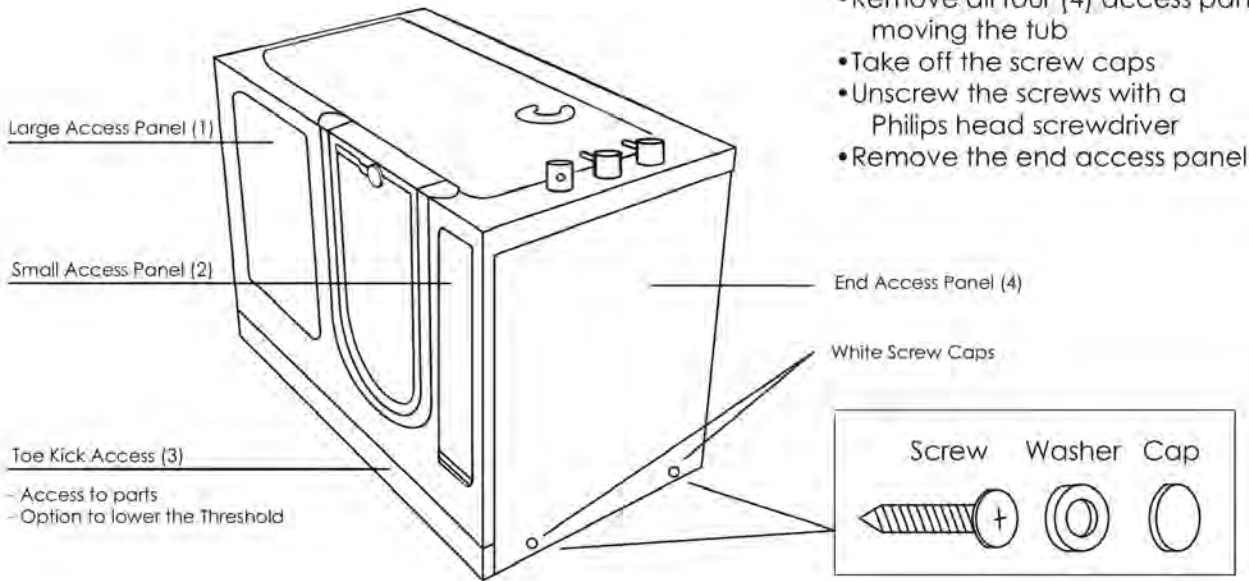


4) Place the barrel in the shower base to plug the hole.



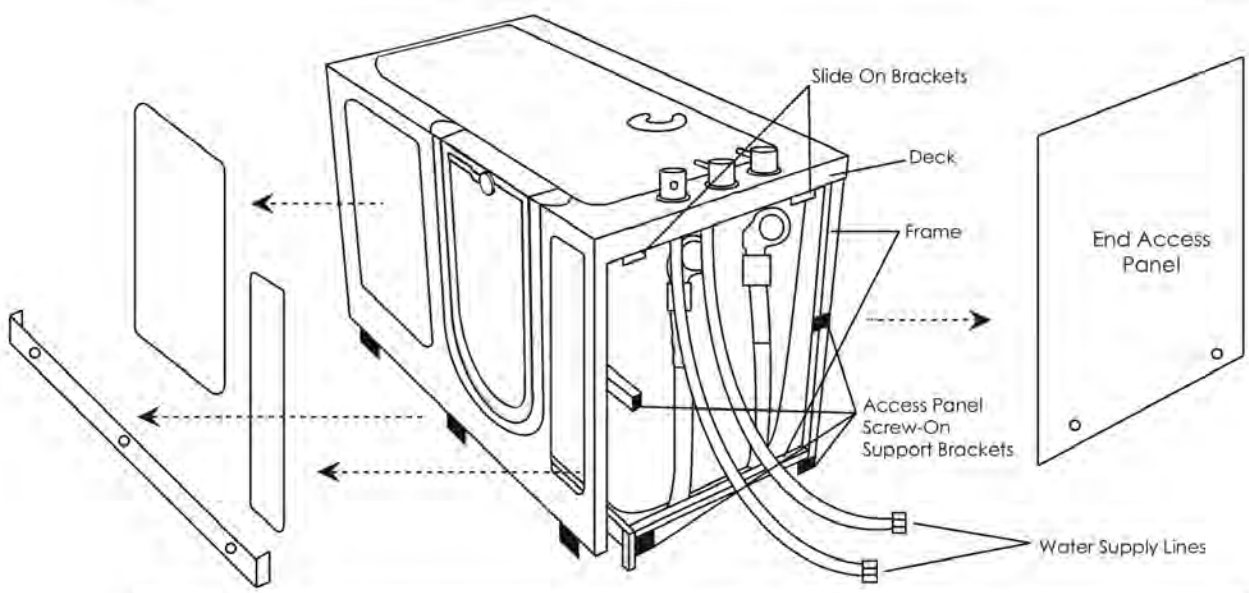
5) Finally, screw on the shower head mixer to the other end of the extension hose.

# Moving your Ella Walk in Bath



- Remove all four (4) access panels before moving the tub
- Take off the screw caps
- Unscrew the screws with a Philips head screwdriver
- Remove the end access panel

**WARNING:** Do not carry the walk in tub by the panels. Be careful when carrying the tub, avoid front panel contact with the floor or stairs to prevent damages. Make sure no loose parts are hanging down. Remove all four (4) access panels before carrying the tub to prevent them from falling out and breaking.



**WARNING:** Lift and carry the tub only by the frame. Protect the bottom of the tub to avoid breaking the air jets positioned on the bottom of the tub.

**WARNING:**

**\*\*\*Read through the entire manual completely before beginning installation.\*\*\***

Contract a licensed plumber and electrician for installation. Be sure you and your contractor are aware and follow all local plumbing and electrical codes. Your Ella Walk in Bath is not intended for outdoor use. Install the tub in accordance with the instructions in the manual. Use ONLY the parts and accessories provided or as recommended by the manufacturer.

**CAUTION:**

When using this product, basic precautions should always be followed. Read and follow all instructions pertaining to risk of fire, electric shock and injury. Make sure and have your licensed electrician test all connections to the dedicated line, including the GFCI.

Risk of electric shock; Do not permit electric appliances within 3 feet (1.5m) of the tub. i.e.: hair dryers, lamps, phones, radios, televisions, etc.

To reduce the risk of injury, do not permit children or persons with disabilities to use this product unless they are supervised by an able-bodied adult at all times. Never drop or insert any objects into any openings.

Do not turn on the Hydro jets without water reaching the waterline. The waterline is the point where all jets are covered with water.

**DANGER:**

Temperature in excess of 100.4 Fahrenheit (38 Celsius) may be harmful to your health. Check and adjust the temperature before use. Consult your physician before using your Ella Walk in Bath if you have a heart condition or other health issues. People using medications, herbal remedies, sleep aids, and/or having adverse medical history should consult a physician before using this product.

Pregnant women should NOT use this product before consulting their physician. Avoid the use of alcohol, drugs or other medications while using your walk in bath.

Be aware, hyperthermia is a risk when raising body temperature. Do not keep body submerged in heated bath for extended periods of time. The symptoms of hyperthermia include an increase in body temperature which can cause dizziness, lethargy, drowsiness and fainting. Avoid using the heated bath after strenuous activity.

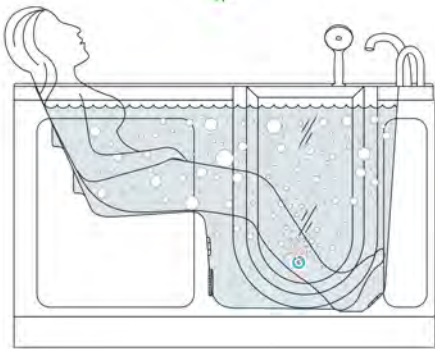
*Exercise caution while entering and exiting your Ella Walk in Bath.*



**WARNING:**

**\*\*\*USE TUB ONLY AS INTENDED! FAILURE TO DO SO CAN LEAD TO INJURY OR DEATH\*\*\***

CORRECT

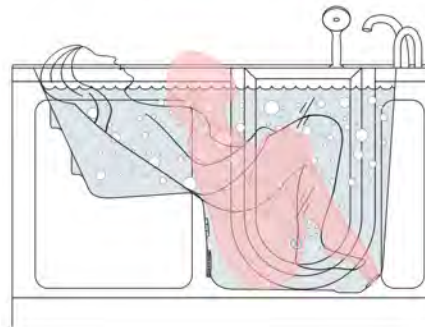
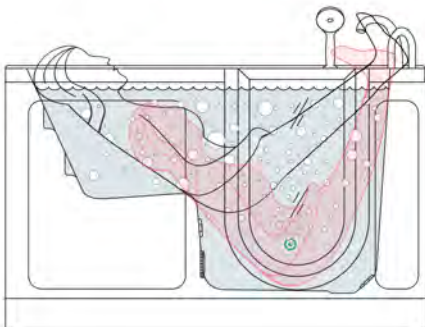


## **WARNING**

**BATHER SHOULD ONLY SIT AS SHOWN IN FIGURE TO THE LEFT. SIT FULLY IN SEAT WITH BACK ON THE BACKREST. DO NOT ATTEMPT TO SLOUCH OR LIE DOWN IN THE FOOT WELL AREA! DO NOT ATTEMPT TO PUT YOUR FEET UP ON OPPOSITE SIDE OF TUB!**

**In the case of bathers who do not have all functioning limbs or are paralyzed, bather must be attended by caregiver at all times and use an installed safety belt at all times.**

## **WRONG POSITIONING**



## Protecting the Bath

Cover and protect the bath shell and fixtures from scratches or other damages during the installation and tests. Remove the access panels when moving the Walk in Bath and always lift the bathtub from the frame (Page #2).

## Electrical

The unit **MUST** be connected to a circuit protected by a ground fault circuit interrupter (GFCI) provided and installed by a licensed electrician and tested periodically (refer to instructions provided by GFCI manufacturer). Electrical requirements vary based on package; please refer to package diagrams included in the specifications. A licensed electrician for your area is required to install and test the electrical installation process.

**DO NOT** use any kind of extension cords to power the unit.

Operating the pumps without first filling the bath to above the jets can cause permanent damage to your equipment.

Push the GFCI "test" button into "reset" mode. If the GFCI fails to operate in this manner, there is a ground current flow or a device malfunction, indicating the possibility of electrical shock. If this occurs, turn OFF the power and do not use the bathtub until the source of the problem has been identified and corrected.

## Water Test

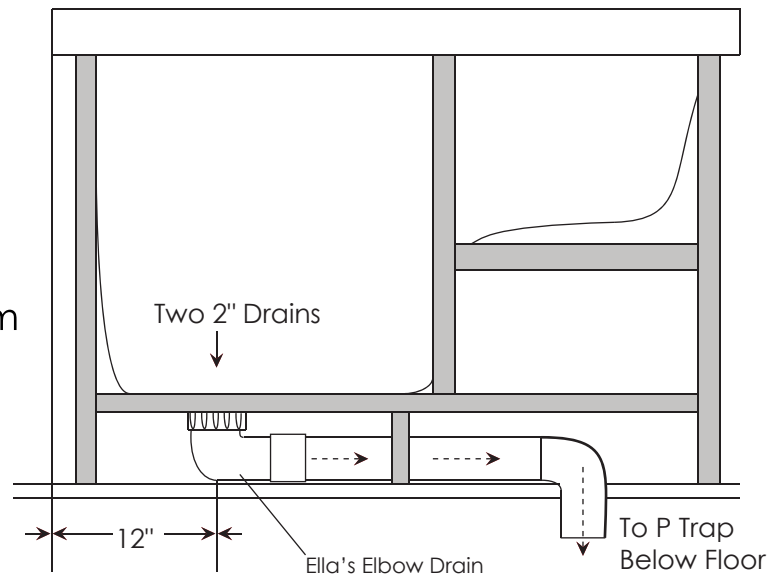
It is important to test that the Hydro and Air Pumps are functioning properly before final in-wall installation to avoid unnecessary repairs or removal.

- A. Place the tub on a completely flat surface in an area where it may be drained after testing.
- B. Using a clean rag and warm water wipe down seal to insure it is free of debris.
- C. Seal the drains (this can be done with tape) and fill the tub to at least three inches above the highest jet, or to the bottom of the grab bar if no jets are present.
- D. Allow the water to stand in tub for 30 minutes and then inspect all plumbing and seals for leaks.
- E. Using appropriately rated three-prong extension cords, all plugged in to separate outlets, operate all electrical components (air blower, water pump, and heater if applicable) for another 30 minutes and inspect for leaks again. Inspect the unions around the pump and heater.
- F. If a leak persists at a union after tightening, it may have been over-tightened or might have a displaced O-ring. Disassemble it and make sure the O-ring was seated properly. Do the same if a leak persists at the heater. Verify that the heater threads match the pipe threads.

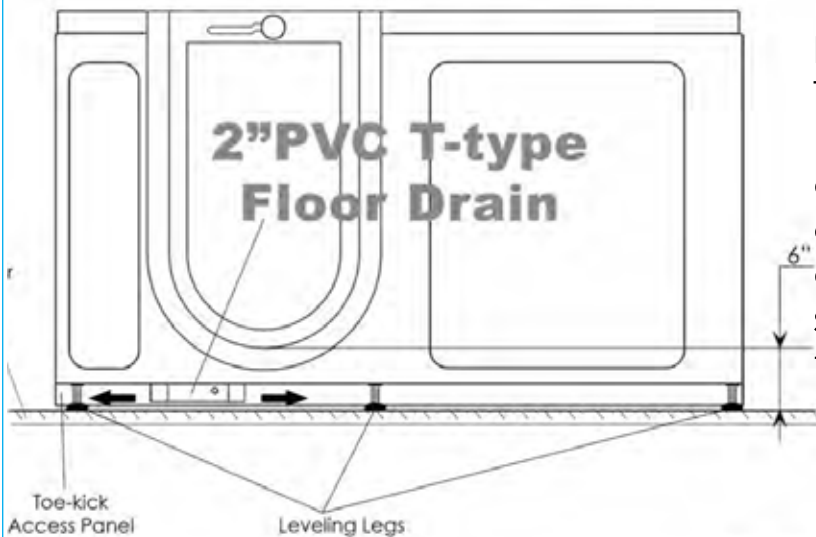
There are 2 types of drains used for Ella's Bubbles Walk-In Tubs. 2" Brass or PVC T-type. Please refer to the drain delivered with your Walk-In Tub.

### 2" Brass Drain System

Brass Drain Setup: The 2" Brass Drain setup will have a 90° PVC elbow connected to each of the drains. If you see the 90° PVC elbow, that is how you determine if it is a Brass Drain setup as shown in the diagram to the right.



### 2" PVC T-Type Drain System

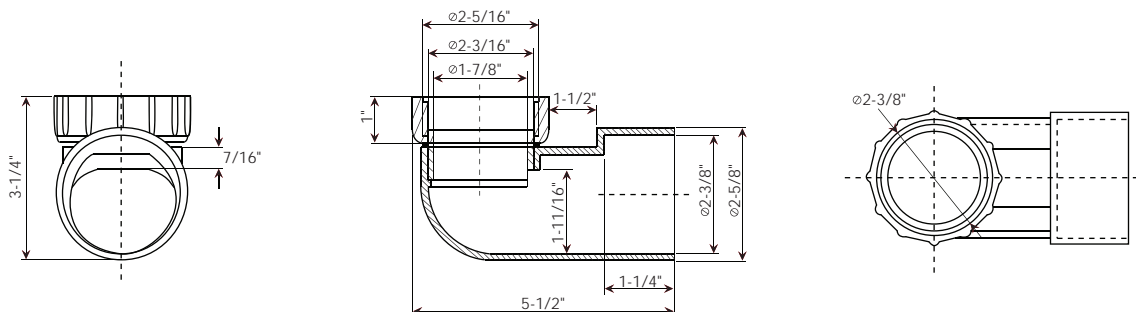
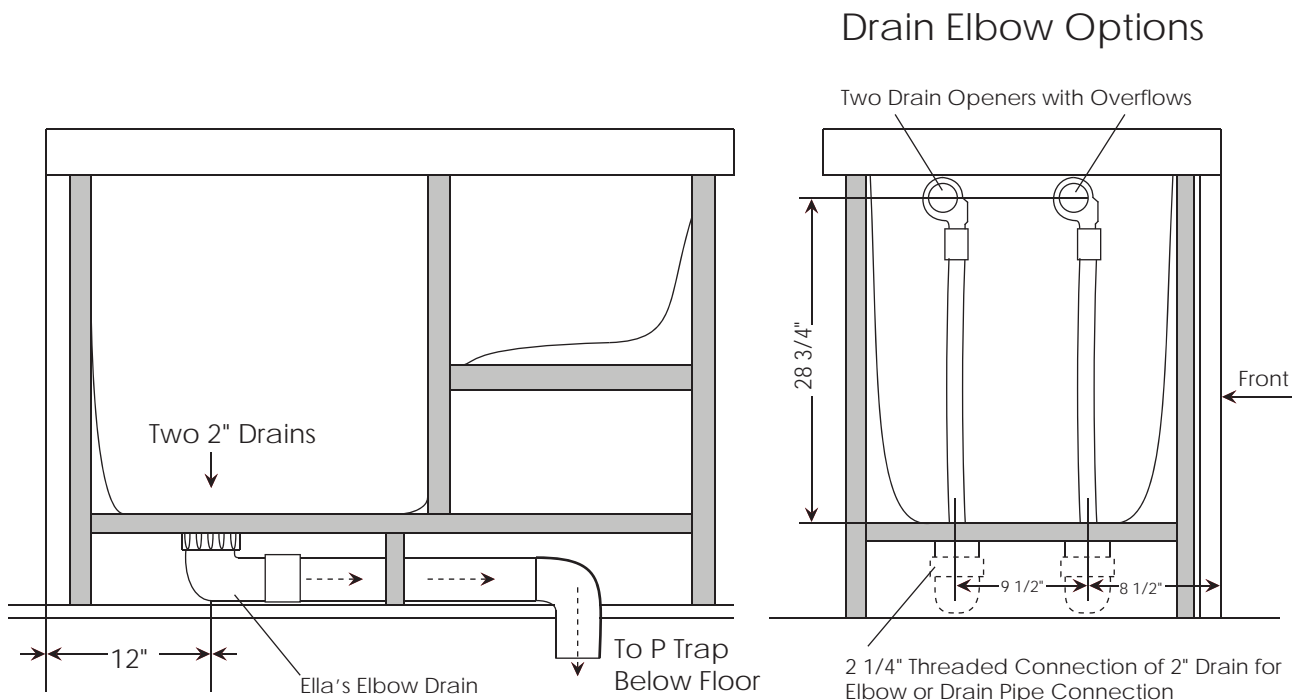


PVC T-Type Drain Setup: The PVC T-Type Drain setup will have a T-Type PVC connected to each of the drains. If you see the T-Type PVC connection, that is how you determine that it is a T-Type Drain setup as shown in the diagram on the left.

# Drain and Plumbing Positioning Options for 2" Brass Drain Systems

Make sure that the drain rough in has been placed at the proper location. The dual drain can be connected with a "T" or "Y" connection into existing house drain. Proper materials must be used based on local plumbing code requirements.

**NOTE: Flexible drains are not permitted in some areas. The customer and their contractor are responsible for using the appropriate solution to meet the current local construction and plumbing code requirements, proper drainage, and rodding access to the drain. The contractor and customer is responsible for testing the house drain prior the installation of the walk-in bathtub to assure proper drainage of the bathtub. The drainage time varies due to condition of the house drain. The stated drainage time of 80 seconds only applies under ideal plumbing conditions.**



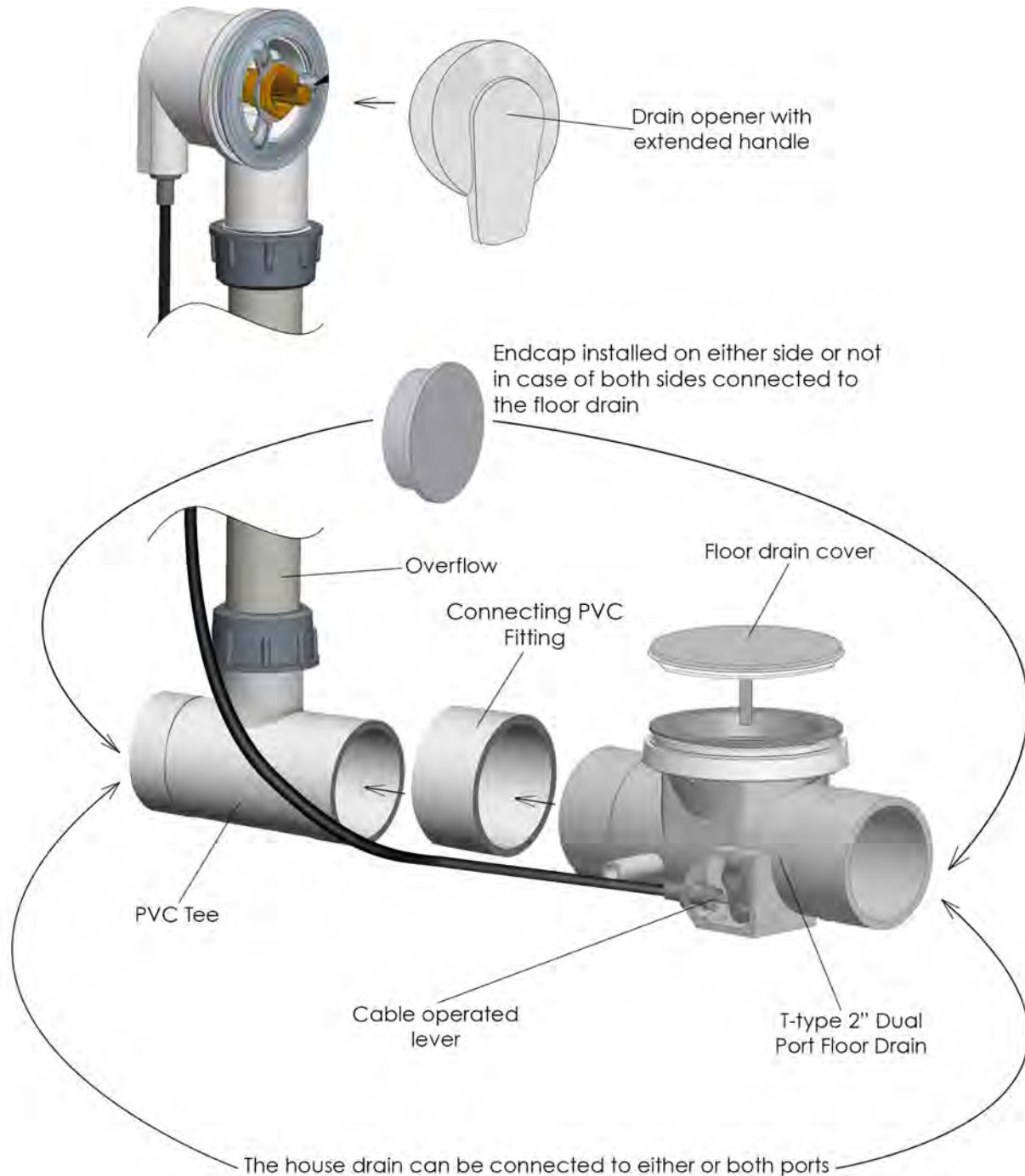
Disclaimer: In an effort to continually improve our product, specifications and configurations are subject to change without notice. Before ordering or installing, consider future access to essential equipment.

# 2" T Type Dual Port Dual Drain

(Excluding Mobile & Front Entry models)



## 2" T-type Dual Port Floor Drain for Ella Dual Drain Walk-In Bathtubs

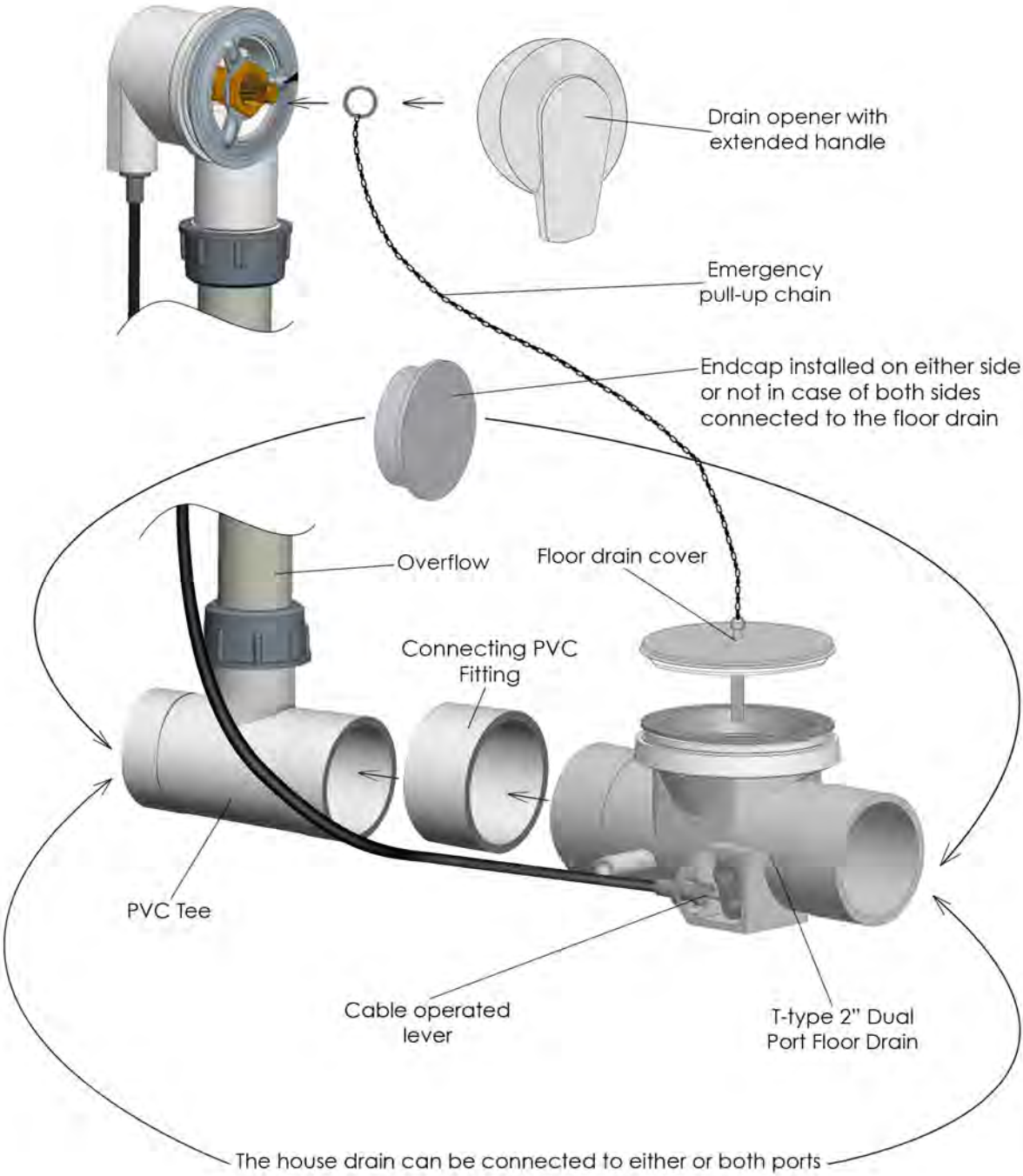


# 2" T Type Single Drain with Pull Up Emergency Chain

(Mobile & Front Entry models)

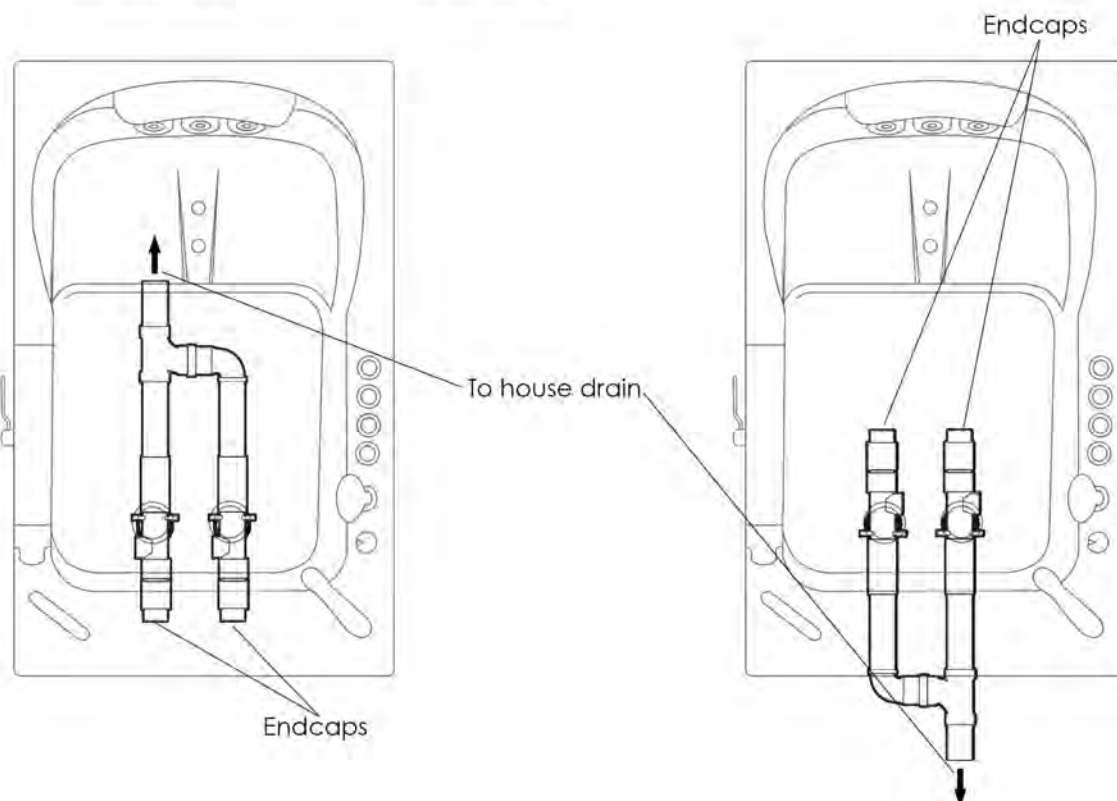
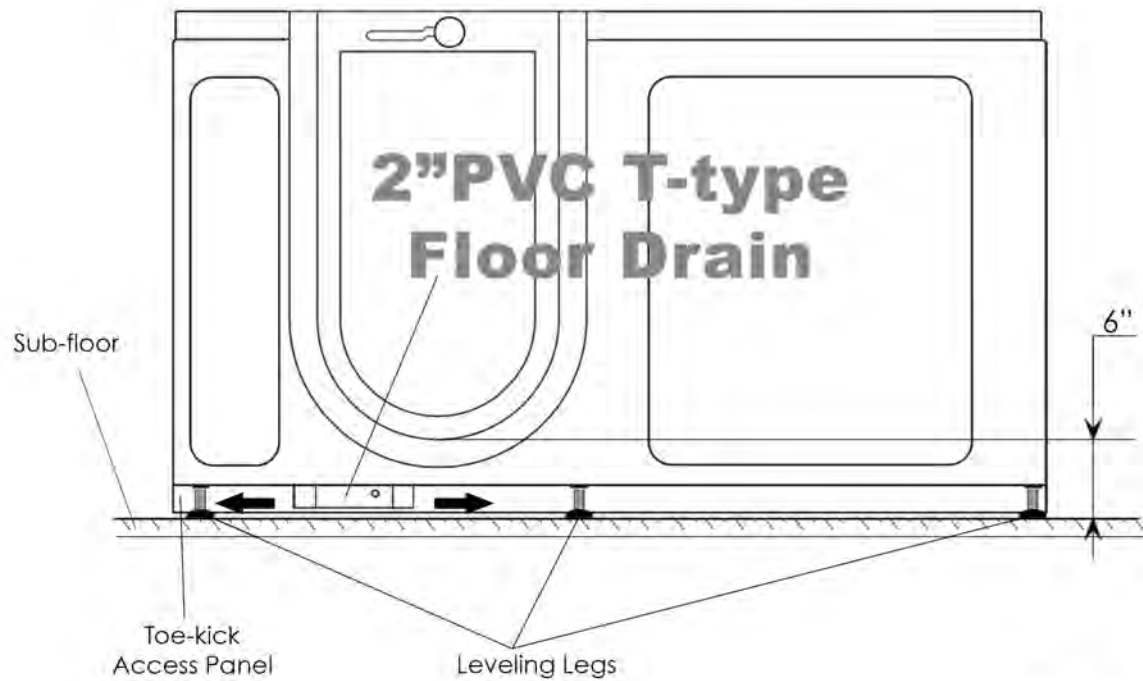


2" T-type Dual Port Floor Drain for  
Ella Single Drain Walk-In Bathtubs  
Available on Ella Models: Front Entry and Mobile



# Drain and Plumbing Positioning Options for 2" T Type Dual Port Drain Systems

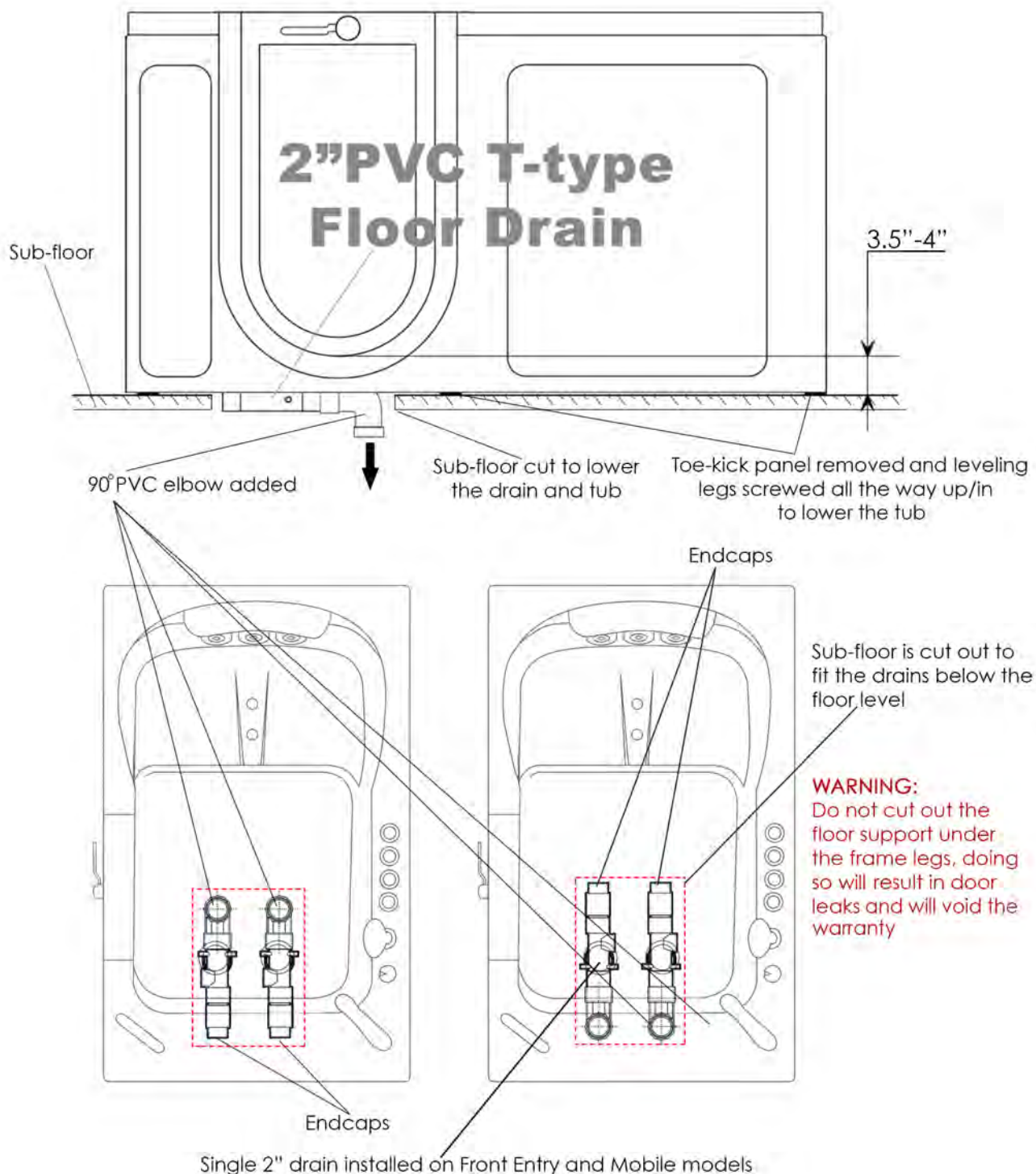
Above the floor drain installation options



The drain positioning should be determined by a licensed plumber. The pictures above only show a few of the many possible options for drainage setup. For faster drainage all 4 ports may be connected to house drain.

# Drain and Plumbing Positioning Options for 2" T Type Dual Port Drain Systems

Below the floor drain installation options

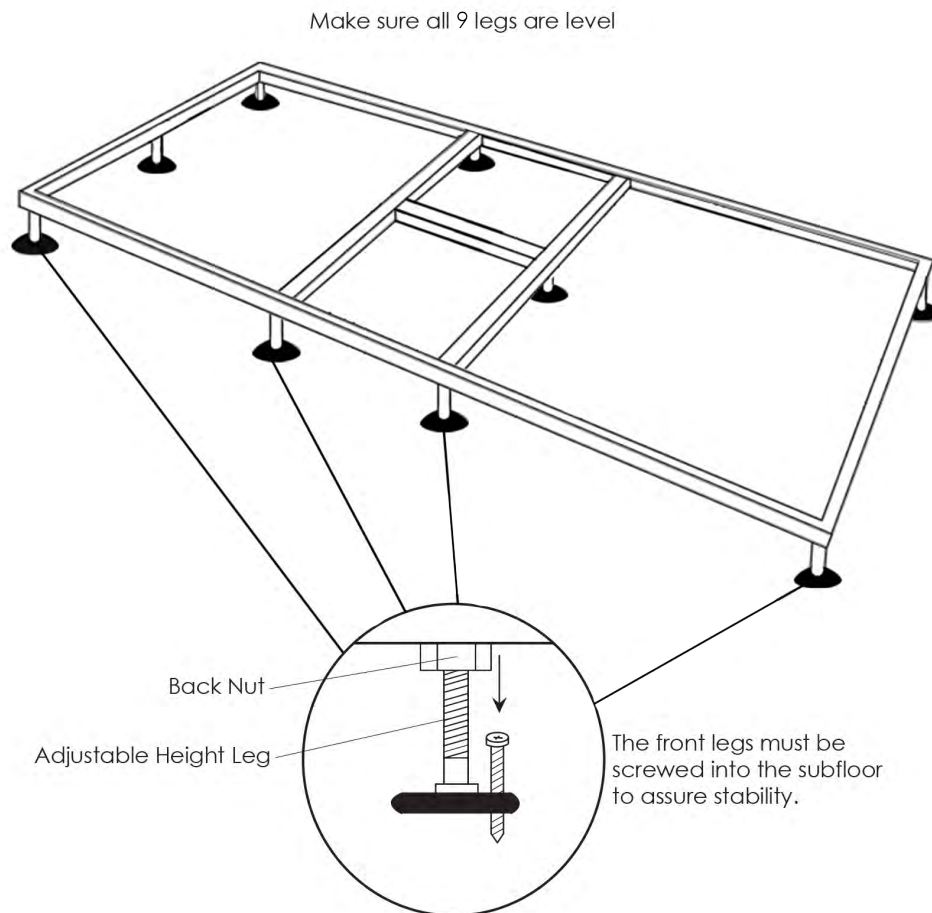


The drain positioning should be determined by a licensed plumber. The pictures above only show a few of the many possible options for drainage setup. For faster drainage all 4 ports may be connected to house drain.



Prepare the sub-floor for the drain and ensure that the area is level. The supporting sub-floor must be able to support the total weight of the bathtub, bather and water and must meet local construction code requirements.

Use a level and make sure that the sub-floor below the tub is leveled. If the floor is not perfectly level, adjust the appropriate leveling legs to re-align the tub to perfect level. It is important that all of the leveling legs are completely supporting the tub (touching the floor with equal weight distribution) and the tub is leveled for the door seal to work properly. If the tub is not perfectly leveled, it may cause frame and shell warping which can cause changes in door alignment resulting in water leakage and void the warranty.

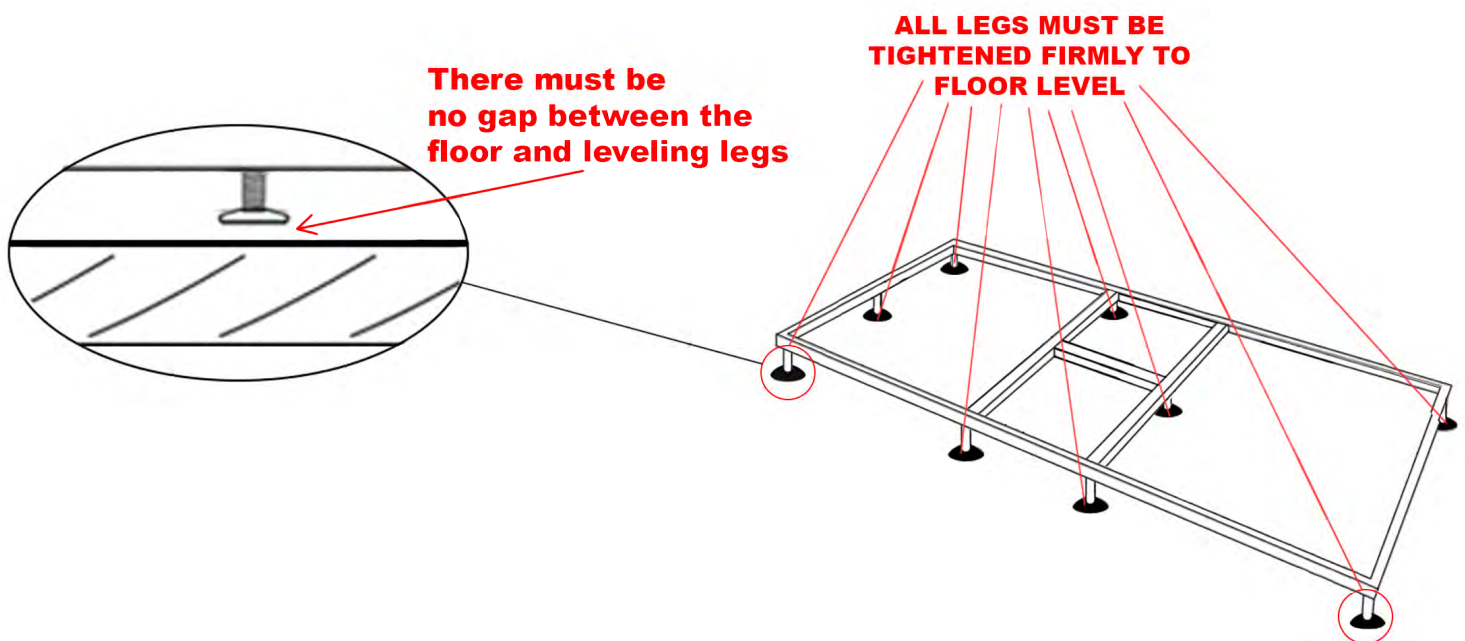


**DISCLAIMER:** The frame specifications and configuration vary based on model. If the sub-floor does not support the total weight of the bath, bather and the water, it can result in warping of the shell, misalignment of the door and/or create leaks and could lead to damage of your home.

# Door and Frame Adjustments

Your walk in bathtub has been tested and leveled properly before leaving our facility. Our walk in bathtubs have been set on a perfectly level surface to ensure no leaks and proper door closing. It is up to your installer to test and make any adjustments necessary to ensure that all leveling legs support the tub frame and that the door is aligned correctly to prevent any leaks. The door must close smoothly to create a water tight seal.

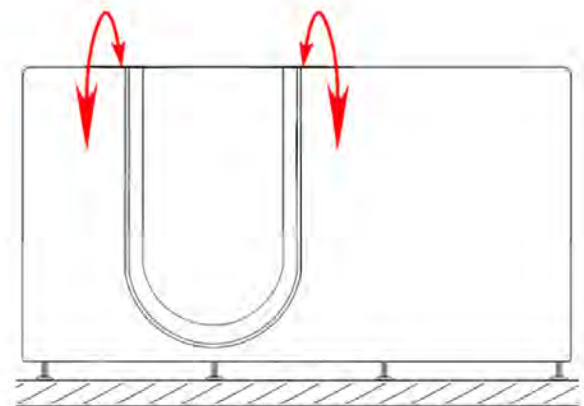
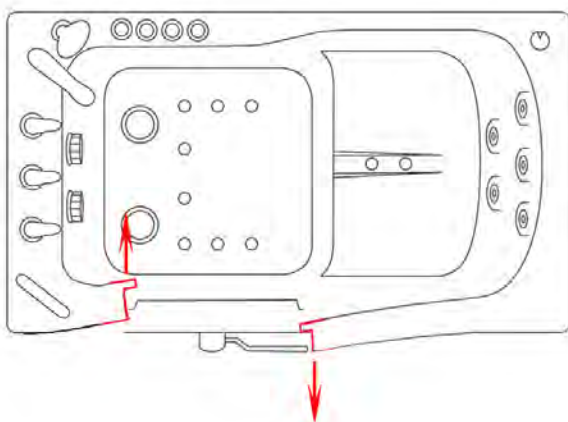
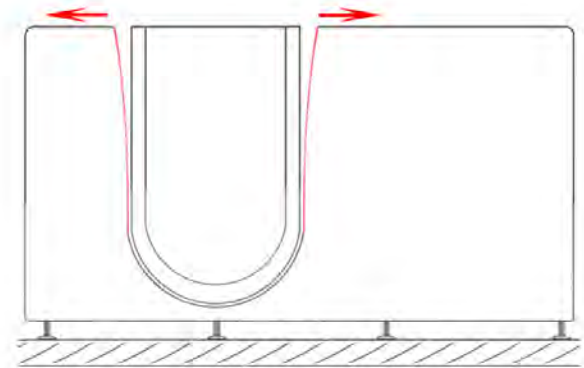
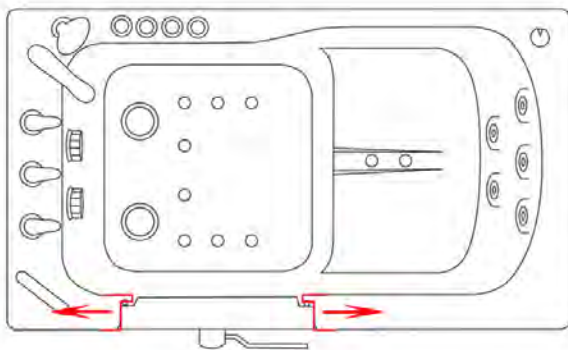
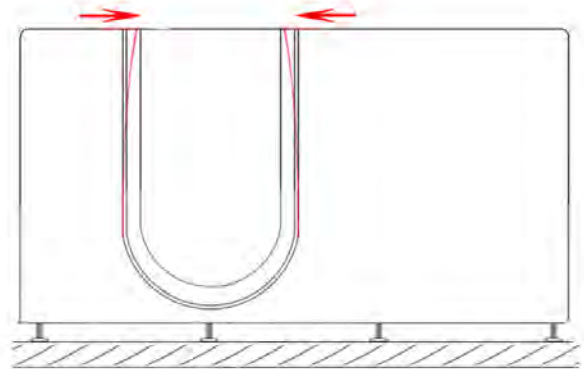
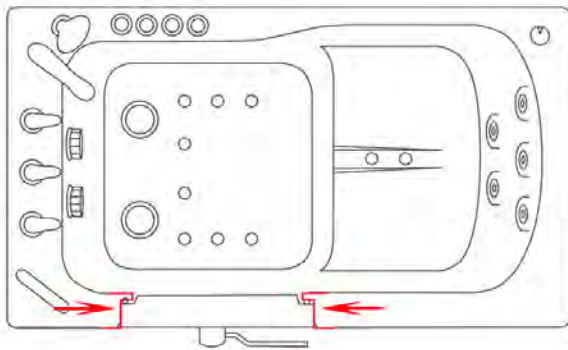
Extending or shortening the legs will help correct any alignment issues to close the gap between the door and the frame. Please call us immediately if any issues arise or if you have any concerns. 1-800-480-6850.



**DISCLAIMER:** The frame specifications and configuration vary based on model. If the sub-floor does not support the total weight of the bath, bather and the water, it can result in warping of the shell, misalignment of the door and/or create leaks and could lead to damage of your home.

# Door and Frame Adjustments

**WARNING: Failure to level the tub correctly WILL RESULT IN MISALIGNMENT! The drawings below illustrate some examples of what types of frame warping will occur if the legs are not level with the floor.**



# Door Handle Instructions



The door handle must be placed correctly so the handle stopper stops the door handle and protects the door mechanism from breaking. There must not be a gap between the door and door handle if it is installed correctly.



Make sure to tighten the screw with a wrench. The screw holds the door handle at approximately torque of 10 pounds. Screw on the cover and tighten it by hand (do not use a wrench).

# Installation of Deck Mount Grab Bar

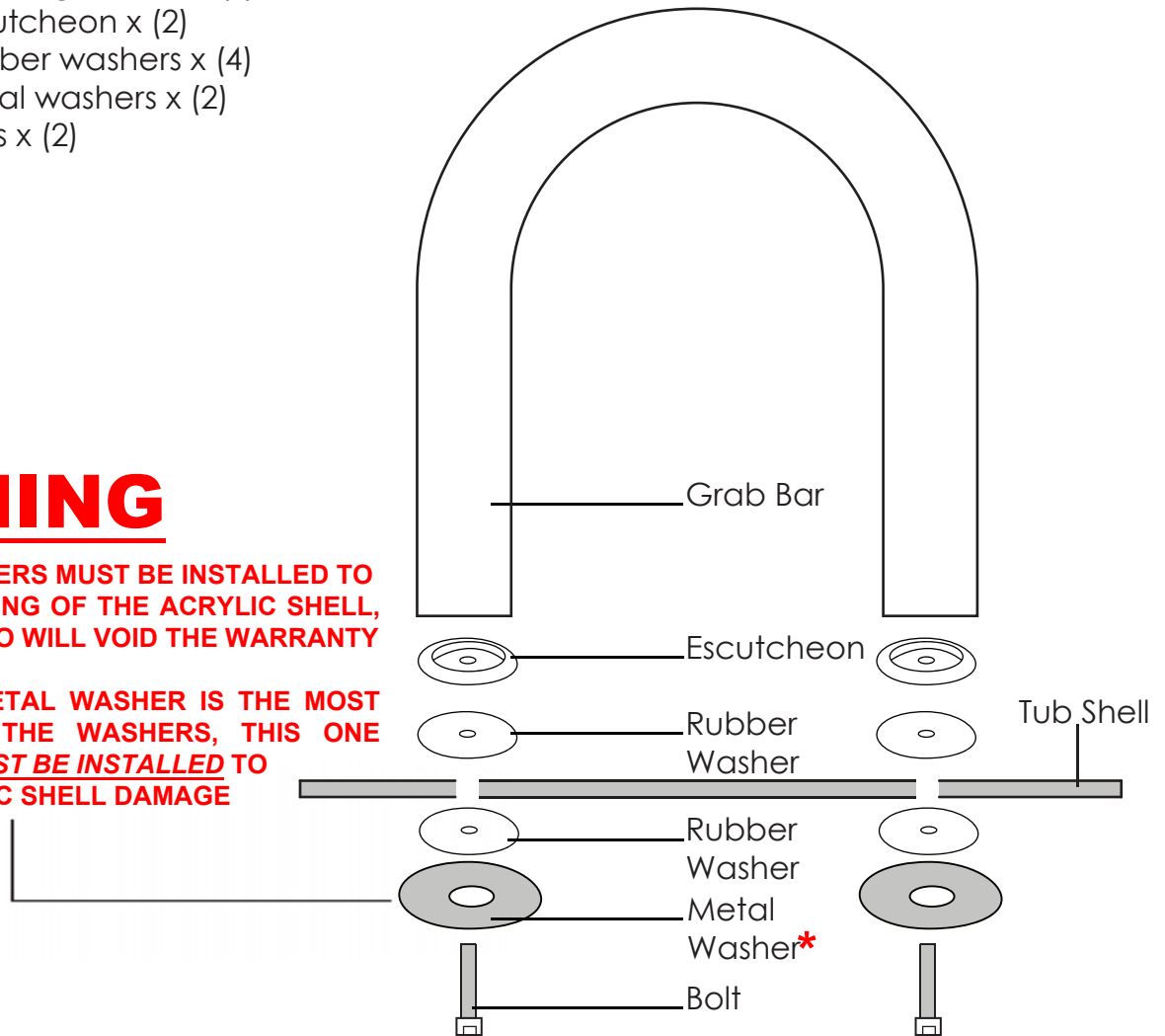


- Parts List: Chrome grab bar x (1)  
Escutcheon x (2)  
Rubber washers x (4)  
Metal washers x (2)  
Bolts x (2)

## **WARNING**

**GRAB BAR WASHERS MUST BE INSTALLED TO PREVENT CRACKING OF THE ACRYLIC SHELL, FAILURE TO DO SO WILL VOID THE WARRANTY**

**\*THE LARGER METAL WASHER IS THE MOST IMPORTANT OF THE WASHERS, THIS ONE ABSOLUTELY *MUST BE INSTALLED* TO PREVENT ACRYLIC SHELL DAMAGE**

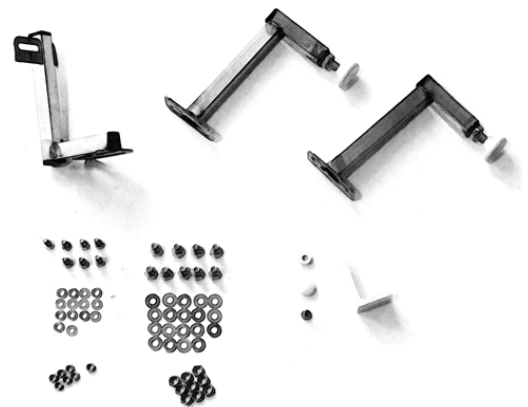
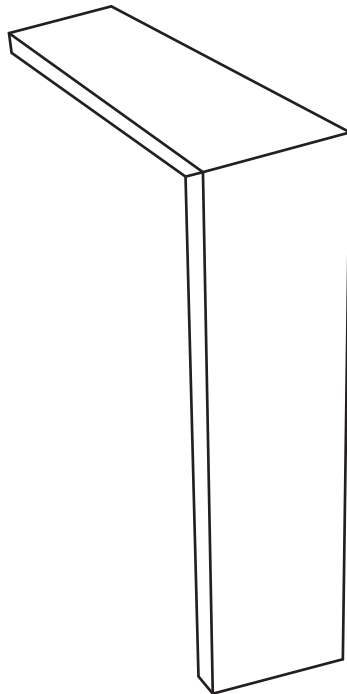


To install the supplied grab bar first locate all the parts needed for installation. See drawing shown above. Ready the bolt assembly by first placing a metal washer onto the bolt followed by a rubber washer. Feed the bolt up through the tub shell and place another rubber washer over the extruded bolt followed by the escutcheon. You may start the threading into the grab bar to hold the assembly loosely in position and then repeat the process for the second bolt. Once the entire assembly is in place, tighten the bolts with the supplied Allen wrench.

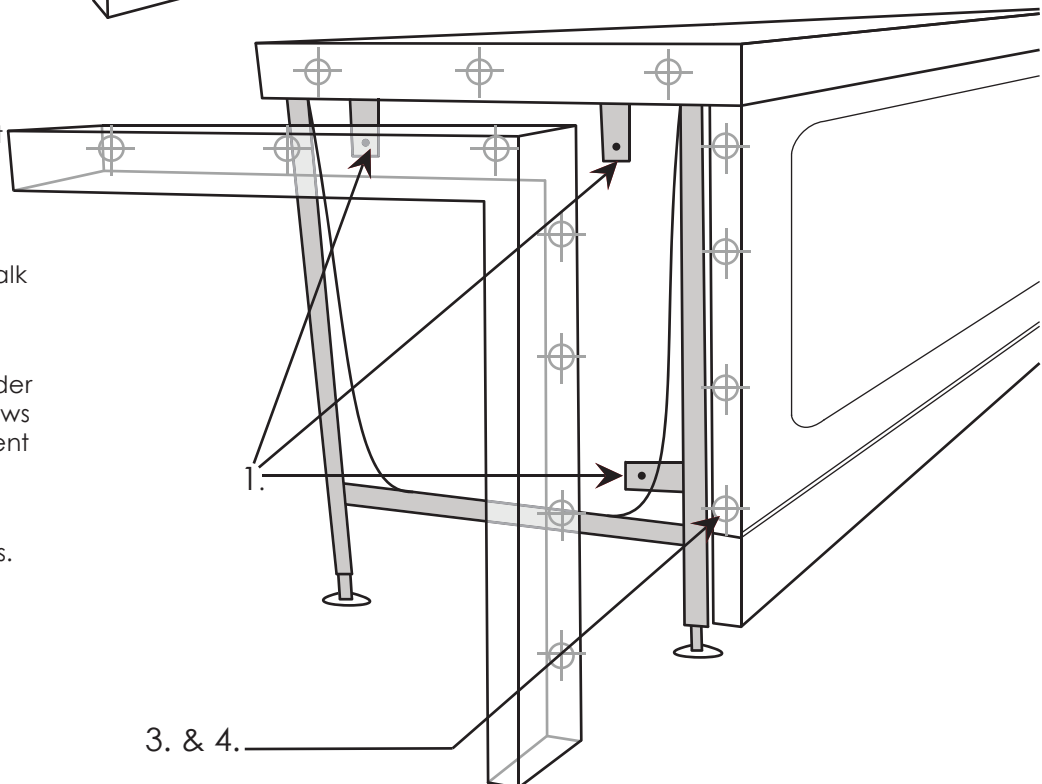
**WARNING:** Under no circumstances install the grab bar without the large metal washer underneath the tub shell. Doing so will leave the tub shell vulnerable to cracking and **void the warranty.**

Deluxe Dimensions: 5"W x 29 1/2"L x 37"H  
 Elite Dimensions: 7"W x 29 3/4"L x 37 3/4"H  
 Royal Dimensions: 7"W x 31 3/4"L x 37 3/4"H  
 Petite Dimensions: 7"W x 27 2/4"L x 37 3/4"H

- L" Stainless Steel Brackets .....Qty (3)
- L" Acrylic Bracket .....Qty (1)
- 1" x 1/8" Bolts .....Qty (7)
- 1" x 1/4" Bolts .....Qty (7)
- 1" Screw .....Qty (1)
- 1/2" Nuts .....Qty (9)
- 3/8" Nuts .....Qty (7)
- Medium Washers .....Qty (14)
- Small Washers .....Qty (14)
- Plastic Washer .....Qty (1)
- Plastic Cap .....Qty (1)



1. Install 3 extension support brackets provides in the kit.
2. Clamp in place, the extension panel to the walk in tub shell, lining up the facade of top and front.
3. Pre-drill (+3/8") slightly wider holes than mounting screws to allow for final adjustment to the panel.
4. Mount extension with 7 screws, washers and bolts.
5. Apply Silicone or white caulking as needed.

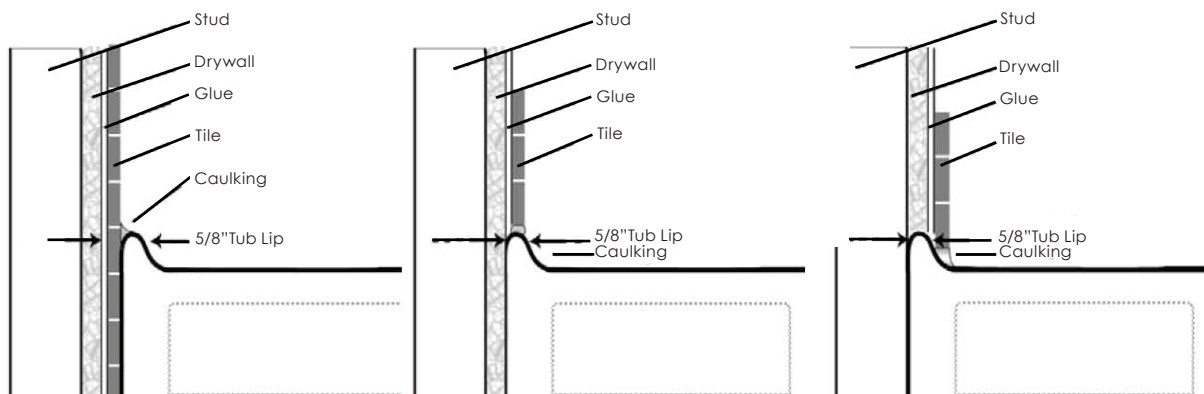


*The extension kit can be installed as needed. Opening can be filled as desired.*

# Finishing Installation



After all of the water and electrical testing is completed and all fixtures are checked, the tub can be installed to the surrounding wall or walls. Ella Walk in Baths come with low rise tile angle which allows for two or one wall installations. The extension panel of the bathtub can be installed as needed for 60" openings.



The tub can be finished and tiled over as shown in images. Caulking must be applied to joints as needed after the bathtub is installed.

## Threshold Lowering Option

Lowering the threshold is an option that can be chosen during installation. Because your Ella Walk in Bath is set up for easy installation, lowering the threshold requires the drain option to be set up below the floor. To lower the Walk in Bath threshold; First, remove the toe kick panel to expose the adjustable leg supports. Adjust the height of the tub while keeping the Walk in Bath plumb level on all four corners. Finish the installation with baseboard.

**NOTE:** Any alterations or installed additions are the responsibility of the installer. Ella Accessible Bathrooms is not responsible for any damage to the unit or for water damage, which could occur due to improper installation.

**Warning: Do not open the door unless the tub is fully drained!**

1. Door Entry

- The U-Shape outward swing door handle is located on the the front of the tub door. Turn clockwise to open and counterclockwise to close.
- Once you are in the tub stay standing and close the door and turn.

1. U-Shape Deck Mount Grab Bar



2. Door Handle (shown closed)

1. U-Shape Wall Mount Grab Bar

2. Drain Opener Handles with extension handle (Pictured is closed, facing up is open)



2. 2" Floor Drain/s



2. 3 latch door system

2. Draining the Tub

- Open the drain by turning handles clockwise, or close by turning counterclockwise
- To avoid spills or leaks, do not fill the tub over the center of the drain handle.



## 1. Door Entry

- The L-Shape outward swing door handle is located on the front of the door and is designed for a safer entry with an added deck and wall mounted grab bar and space to pull up a wheelchair.
- Once you are in the tub stay standing and close the door and turn. The door can also be closed from a sitting position but is more difficult
- Do not open the door unless the tub is fully drained!



1. Door Handle  
(pictured is open, turn  
clockwise to close)

## 1. U-Shape Deck Mount Grab Bar

2. Drain Opener Handles with  
extension handle (Pictured is  
is closed, facing up is open)



1. U-Shape Wall Mount Grab Bar

2. 2" Floor Drain/s

## 2. Draining the Tub

- Open the drain by turning handles clockwise, or close by turning counterclockwise
- To avoid spills or leaks, do not fill the tub over the center of the drain handle.
- Do not open the door until the tub is completely drained

Please refer to your purchased package/fixture operations below.

**Warning: Do not hang handshower up to the wall to avoid leaks through the insert hole. If you want to install wall hang shower the extra hose must be added with a connector and an insertion hole must be plugged (See page 5).**

3. Pull-out Hose



**3a. Ella Two (2) piece fast-fill faucet**

- To turn on the water pull up the lever and move it to the left for hot or right for cold water to adjust the desired temperature.
- To switch between the faucet and pull out hand mixer push the diverter button under the spout, to turn off push down on faucet lever.
- Pullout Handheld shower has 5 water flow settings controlled by turnable dial

3a. Hot/Cold Lever      3a. Fast Fill Faucet



3a. Diverter On/Off push button

3. Pull out hand mixer

**3b. Ella Five (5) piece fast-fill faucet**

- To turn on water please turn the hot (red marking) or cold (blue marking) handle to adjust to the desired temperature
- To turn on the pull out hand shower turn the diverter (middle lever), to turn off push down on the faucet lever.
- Handheld shower has 5 water flow settings that are controlled by turnable dial

3b. Fast Fill Faucet

3b. Cold Handle

3b. Diverter



3b. Hot Handle

Please refer to your purchased package/fixture operations below.

**Warning: Wait until the jets are entirely under water before starting the Hydro/Air Massage, and/or microbubble therapy system.**

**Push Controls**

4. Hydro Intensity Control

5. Air Massage

7. Microbubble Therapy

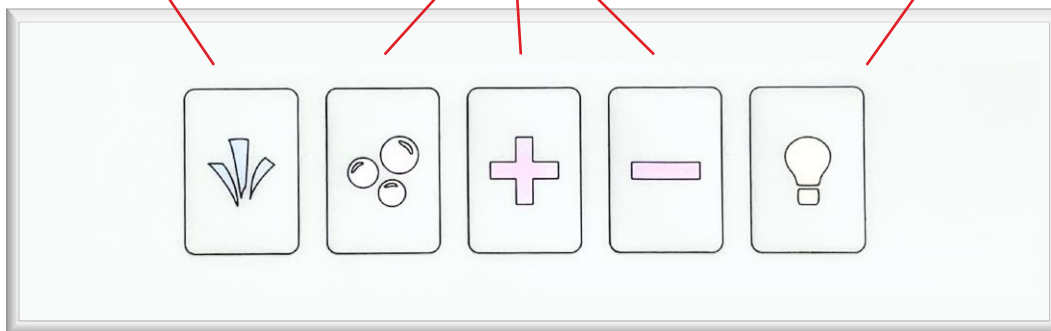


**Digital Controller**

4. Hydrotherapy

5. Air Therapy Variable Speed Control

8. LED Chromatherapy



Note: Some models may come without symbols on their push controls.

The following pages describe use of features and their controls shown above

Please refer to your purchased package/fixture operations below.

**4. Hydrotherapy System**

Push Control Option.

- Push On/Off push control marked with Water to turn the hydro pump on and press it again to turn it off

Digital Control Option.

- Push digital control button marked with a water stream symbol to turn the hydro pump on or off



Adjusting Water Massage intensity

- Use intensity dial control to turn it clockwise or counterclockwise to adjust the water pressure intensity coming out of the hydro jets. By turning the intensity control dial it will add or decrease air supply into the water stream.

In-Line Water Heater.

- The in-line water heater will turn on/off automatically when hydro pump is turned on/off. The purpose of the in-line water heater is only to maintain the temperature of the water.

Ozone Sterilization.

- The ozone sterilization will turn on/off automatically as soon as hydro pump is turned on/off.

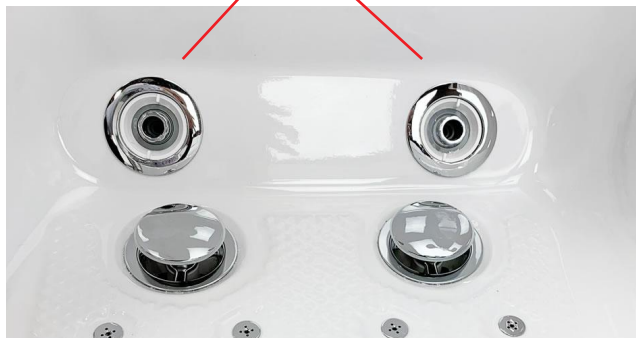
Seat Jetting

4. Hydro fixed jets



Floor Jetting

4. Hydro directional jets



## 5. Air Therapy Massage

### Auto Purge

The Air Massage is equipped with auto-purge feature that turns on automatically 20 minutes after the air pump has been turned off, runs for 120 seconds to ensure your system is clear and free of moisture and excess water helping prevent mildew build up.

**Warning: Do not be alarmed, the system can't be turned off and will run for the entire 120 seconds and can occur while you are still in the tub. If you are in the tub do not worry and simply finish bathing, and exit when ready.**

### Push Control Option.

- Push On/Off push control button marked with Air to turn the air pump and press it 4 times to turn it off. Air therapy massage has three speeds, cycle through by pressing button 3 times to get fast, medium or low speed.

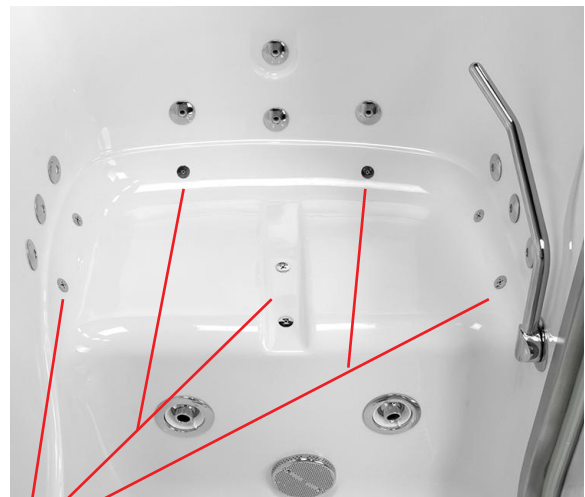
### Digital Control Option.

- Push digital control button marked with an air bubble symbol to turn the air pump on/off. Cycle through through 3 speeds by pressing the same air button. To cycle through variable speed use the + and - buttons.

Floor Jetting



Seat Jetting

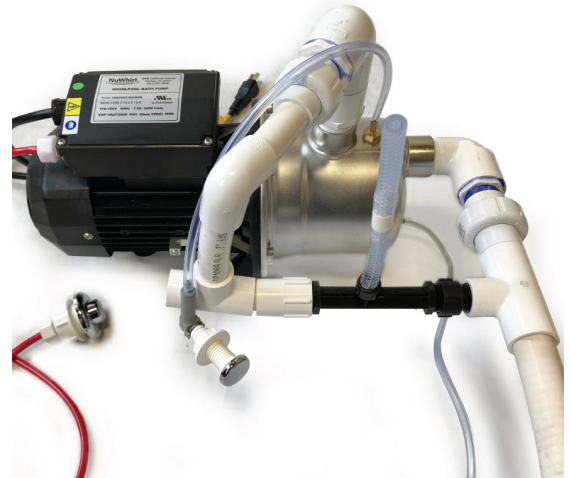


5. Air Jets

## 6. Infusion Microbubble Therapy

Push Control Option

- Push control marked with Micro turns the micro pump On/Off



## 7. LED Chromatherapy Light

- Press the button once for continuous changing light
- Pressing again will allow you to choose your preferred color (8 colors to choose from)
- Press and hold to turn off the light

Push Control Option

- Push On/Off control marked with Light turns the light On/Off

Digital Control Option

- Digital On/Off control lightbulb button turns the light On/Off



## 8. Heated Seat & Backrest

Digital Push control on front face of tub turns the heated seat On/Off. Make sure to only press once, pressing again will turn it off.

- Turn on 10-15 minutes prior to entry to allow seat to heat up
- Turns off automatically after 20 minutes

Digital Push Control Button (for heated seat and backrest)



**When installing and using this electrical equipment, basic safety precautions should always be followed, including:**

**WARNING:** Keep dry. Replace control if exposed to water, moisture or contamination.

**WARNING:** Use and follow these instructions along with all instructions that have been provided.

**WARNING:** Electronic control system components should be installed as per local and national Electrical Codes, in a location not to be subjected to splashing or flooding. Exposure to water or splashing will void all product certifications and warranties. There are no user serviceable parts inside. Opening, modifying, or tampering with control system components will void all product certifications and warranties.

**WARNING:** Risk of electric shock. Connect only to a ground type receptacle or power supply junction box protected by a Ground-Fault Circuit Interrupter (GFCI). Contact a qualified electrician if you cannot verify that the power supply is protected by a GFCI. The GFCI should be tested on a routine basis. Consult the GFCI manufacturer's instructions for correct testing and operation. For electrical connections, see applicable wiring diagram.

**WARNING:** Failure to install in strict accordance with each and every instruction above may compromise the system, which may cause injury to persons and/or property.

**Warning:** Use this unit only for its intended use as described in this manual. Do not use attachments not recommended by the manufacturer. Any improper installation or misuse of the equipment may result in injury to the user and will void the warranty.

**Warning:** Do not run unit dry. Always be certain that the pump casing is filled with water before starting the unit. If pump fails to prime within 30 seconds, turn it off. Check if there is an airlock, clogged plumbing, or closed valve.

**Cable Verification:** Verify that the cables are connected correctly, and that the pins are straight and free of damage.

**Power Verification:** Each blue control box has a green power indicator light on the face where the Keypad plugs in. These should be constantly illuminated when power is on to the system.

**NOTE:** Once the Configuration is set it will not be affected by cycling the power; it needs only to be set initially.



## Ella Acrylic Walk In Bath Warranty Information

This limited lifetime warranty is extended to the first purchaser to be free from defects in workmanship and material under normal use and conditions from the date of the original purchase. This warranty is nontransferable and applies only to the original owner and to the original installation place – address only and does not extend to products previously used as display models or products that have been modified or repaired by anyone else but Ella's Bubbles. The warranty is void if the ownership or original installation location is changed (tub is relocated). This warranty relates to all fittings and components included with the tub from the manufacturer. The bathtub shell, frame, door, door seal, and finish are covered by limited lifetime warranty under normal use and conditions. All supporting equipment, motors, pumps, fixtures, electronic controls, faucet, waste, overflow, and all plated finishes, are covered by a limited lifetime warranty. This warranty is nontransferable and applies only to the original owner. The finish warranty does not apply to fading, cracking, delaminating or blistering due to excessive wear, sun fading or scouring due to cleaning. This warranty shall not apply to any failure resulting from negligence, abuse, misuse, misapplication, alteration, modification or improper maintenance. The warranty of the door and the door seal is valid only if the alignment of the bathtub and the door is done correctly, and the alignment of the door is not changed by applying the bather's weight on the door which may result in misalignment of the door and the door leak. Should service be required for any reason of any defect or malfunction of the product, Ella's Bubbles will ship the part to the original customer's address without charge (subject to verification of the defect or malfunction). Ella's Bubbles will not be liable for any incidental expenses or material charges in connection with removal or replacement of the product or parts. Delivery time is based on parts availability and location. Normally parts are sent out immediately. Emailed or mailed photos of defective product and description of the problem is required.

**All mailing notification must be sent via certified mail to:**

**Ella's Bubbles, LLC.**

**2101 S. Carpenter Street Chicago, IL 60608**

**Warranty can be sent via email to: [info@ellasbubbles.com](mailto:info@ellasbubbles.com)**

The Manufacturer will not be responsible for any water damage to structures or property for any reason including but not limited to manufacturer defect or improper installation. Manufacturer will assume no responsibility for the loss of the system, inconvenience due to loss, damage to real or personal property or any other consequential damage. Manufacturer will not be liable for any incidental expenses or material charges in connection with removal or replacement of the purchased part or any part or parts of the system. This warranty shall not apply to any type of failure resulting from negligence, abuse, misuse, misapplication, improper installation, alteration or modification, chemical corrosion or improper maintenance. Ella's Bubbles reserves the sole authority to make any type of warranties or representations concerning its products and will not be responsible for any warranties or representations made by any outside source including dealers, retailers, distributors or contractors. Ella's Bubbles does not warrant the installation or replacement of any of our products/parts. Items include: all plumbing or electrical related connections, improper or negligent installation of the product. Alteration made of, or alterations or modifications made to the system, may cause the product or the system to malfunction. Such problems are not covered by warranty.

TO THE EXTENT PERMITTED BY LAW, ALL IMPLIED WARRANTIES INCLUDING THOSE OF MERCHANTABILITY AND FITNESS FOR A PARTICULAR PURPOSE ARE HEREBY DISCLAIMED.

Ella's Bubbles and seller hereby disclaim any liability for special, incidental, or consequential damages. Some states/provinces do not allow limitations on how long an implied warranty lasts, or the exclusion or limitation of special, incidental or consequential damages, so these limitations and exclusions may not apply to you. This warranty gives you specific legal rights. You may have other rights, which vary from state/province to state/province.

**Disclaimer: Limited lifetime parts warranty does not apply to thermostatic control valve (TCV).**

TCV warranty has a (1) year limited warranty which does not cover cartridge malfunction due to contaminated water with calcium, iron or other found heavy particles in the water resulting in cartridge getting stuck and TCV not operating properly. The TCV must be protected with filter or mesh in the water lines which must be cleaned periodically. Ella's Bubbles offers cleaning service for the cartridges for a nominal fee: labor + shipping. The cartridge cleaning is done at Ella's Bubbles facility, or it can be done by the contractor hired by customer. The removal and cleaning of TCV should only be performed by a licensed and insured contractor or plumber. Non-Ella brand faucets covered under manufacturers original warranty and are not covered by the Ella Walk-In Bath Warranty.





**INSTALLER'S INFORMATION**

Name Page 1

Address City State Zip

Telephone Email

Date Signature

Upon completing the installation of an Ella Walk In Bath, the following Warranty Activation Form must be completed, signed by both the customer and installer, and returned to Ella's Bubbles, LLC. In order for the Warranty to be activated (faxed, scanned, or emailed, or hard copy mailed).

**To be initialed by the installer(s)**

- Tub is level in all directions and all support legs are touching the ground.
- Tub is installed on a dedicated GFCI protected circuit using 12 gauge wire
- Frame of the tub has been properly grounded.
- Door Seal has been cleaned with rubbing alcohol to remove any dust or debris left over from construction.
- Temperature Control Valve operated on both hot and cold settings.
- Both diverters function properly.
- Hand Shower functions on all settings without leaking.
- All supply lines have been checked for leaks while both diverters are on.
- Drains open and close properly, and the locking nut has been tightened on both stoppers.
- Door seal is water tight after tub has been filled for a minimum of 20 minutes.
- After running for a minimum of 20 Minutes both the Hydro and Air Pumps are functioning properly and all connections to the pumps and jets are water tight.
- Chromatherapy Light and the Ozone Sterilization are working properly. (When the Ozone is on by itself it will make a light humming noise).
- All drain fittings have been checked for leaks while the tub is draining.
- Unit is installed with access to both plumbing and electrical connections.

**OWNER'S INFORMATION**

\_\_\_\_\_  
Name

\_\_\_\_\_  
Address

\_\_\_\_\_  
City

\_\_\_\_\_  
State

\_\_\_\_\_  
Zip

\_\_\_\_\_  
Telephone

\_\_\_\_\_  
Email

\_\_\_\_\_  
Date

\_\_\_\_\_  
Signature

Model: \_\_\_\_\_ Serial Number: \_\_\_\_\_

Purchase Date: \_\_\_\_\_ Purchase Price: \_\_\_\_\_

Place of Purchase: \_\_\_\_\_

Contact Name: \_\_\_\_\_ Phone Number: \_\_\_\_\_

**Copy of sales receipt must be included  
with warranty activation forms.**

To activate manufacturer's warranty, please complete both pages and use one of the options below to submit.

Via mail: Ella's Bubbles, LLC.  
Warranty Department  
2101 S. Carpenter St., Chicago, IL 60608

Via fax: 1-312-666-3551

Via email: warranty@ellasbubbles.com