

**Actual Size:** 26" x 45" x 42" • (66 cm x 114 cm x 107 cm)

**Seat Width:** 19" • (48 cm)

**Shipping Size:** 28" x 48" x 50" • (71 cm x 122 cm x 127 cm)

**Net Weight:** 210 lbs. • (95.3 kg)

**Shipping Weight:** 280 lbs. • (127 kg)

**Unoccupied Water Capacity:** 75 gal. • (284 L)

**Occupied Water Capacity:** 35-55 gal. • (125-208 L)

**Drainage Time:** +/- 140 seconds at ideal plumbing conditions (unoccupied)

## Included Features:

1. Acrylic Tub Shell
  - Gloss white finish
  - Fiberglass gelcoat reinforced
2. Stainless steel frame with adjustable leveling Legs.
3. Custom crafted industrial plastic composite outward swing door with tempered glass.
4. Removable front apron with two access panels.
5. One reversible end panel for left or right corner installation options and one extension filler panel kit for 60" alcove installations.
6. Stainless steel chrome finish U-shape wall-mounted grab bar.
7. Single 2" Drain with an emergency pull up chain, consisting of two 2" outlets and an overflow.

## Jetting & Therapy Options:

1. Air + Hydro (Multicolor LED Light Included)
2. Hydro + Hydro Independent Foot Massage (Multicolor LED Light Included)
3. Hydro Massage (Multicolor LED Light Not Included)
4. Hydro Massage + Microbubble (Multicolor LED Light Included)
5. Soaking Option Only (Multicolor LED Light Not Included)



## Jetting Options

### Hydro Massage

- Hydro Massage Pump 5AMP 600W \*
- Hydro Massage Intensity Dial Control
- Ozone Sterilization 1AMP
- 11 jets
- On/Off Push Control
- In-line Water Heater 5.5AMP 650W \*

### Hydro + Hydro Foot Massage

- 2 Hydro Massage Pumps 2x 5AMP 600W\*
- 2 Hydro Massage Intensity Dial Controls
- Ozone Sterilization 1AMP
- 11 jets
- On/Off push control
- In-Line Water Heater 5.5AMP 650W \*

### Air Massage

- Air Massage Pump 4.5AMP 486W \*
- 3 Speed Pump
- Auto-purge (Activates 20 minutes after pump shutdown)
- 14 jets
- On/Off push control

### Microbubble Therapy

- Air Pressure Pump 10AMP 1200W \*
- Pressure Tank
- On/Off push control

## Faucet Options

### 1. Five-Piece Fast Fill Faucet

- Up 10 18 GPM @ 60 PSI an ideal in-home plumbing conditions
- Two 5' water supply lines with 3/4" connectors
- Pull out, hand held, chrome plated hand shower with a 5' ft. retractable stainless steel braided hose

### 2. Two-Piece Fast Fill Faucet

- Up 10 16 GPM @ 60 PSI an ideal in-home plumbing conditions
- Two 5' water supply lines with 3/4" connectors
- Pull out, hand held, chrome plated hand shower with a 5' ft. retractable stainless steel braided hose

### Optional Features

- 1.Heated Seat and Backrest 4AMP 470W
- 2.Digital Controller

**Note:** Multicolor LED light .04AMP with On/Off push control is included with the following dual packages: Hydro + Air, Hydro + Micro, Hydro + Hydro

**Disclaimer\*:** AMP value for each pump may change based on availability. Please verify before purchase. (800.480.6850)

### Electrical Requirements

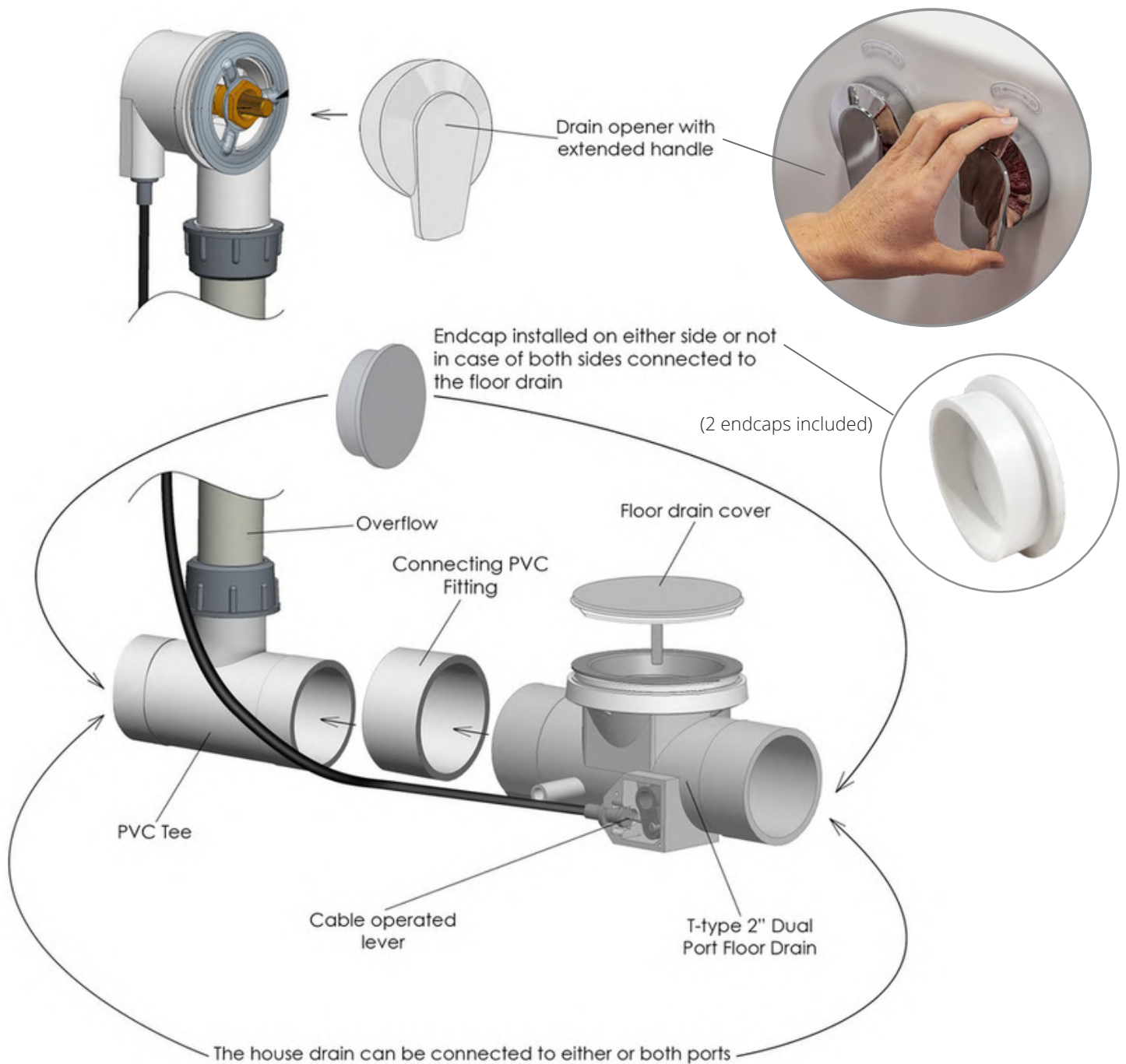
Dedicated GFCI protected electrical line(s)required

### Warranty

- Lifetime limited\* warranty on shell, frame, door, and parts to original purchaser/Address
- Labor or installation is not covered - please refer to the Ella warranty certificate
- Non Ella brand faucets covered under manufacturers original warranty



## Dual Drain Technology - Two 2 Inch Independent Floor Drains

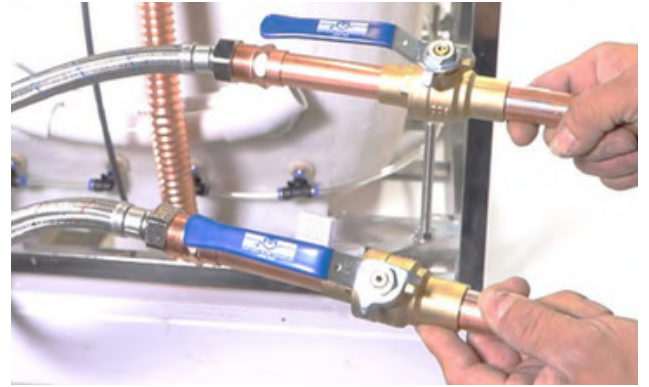




Two 3/4" connector water supply lines included with Ella Fast Fill Faucets



Connect to Shut Off Valves (not included)



All electrical fixtures connect to a dedicated GFCI protected outlet.



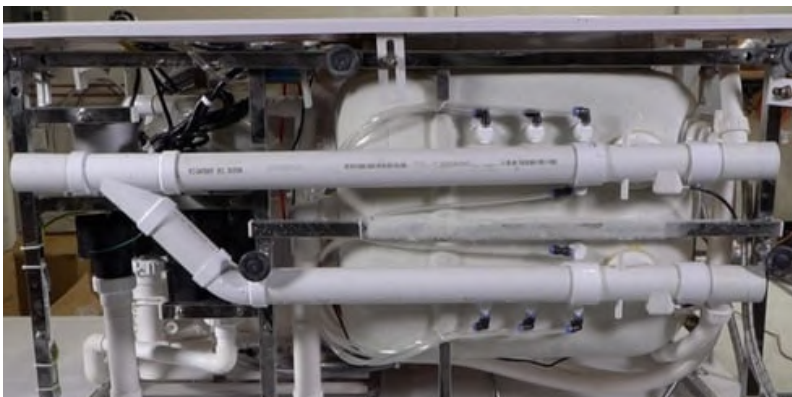
Drain Cap

Use a drain cap to close unused drain port.



T-Type four (4) 2" drain ports allow for the drain pipe to be installed in either direction.

Images below show examples of PVC pipe connections (not included). Reducers can be used to connect smaller drain pipes.



**Description**

Solid brass spout in a chrome finish with a 5-setting pull out hand shower mixer including a 5' braided hose.  
Two 3/4" 5' braided stainless-steel supply lines are included along with Cold/Hot levers with a diverter for the hand mixer.

**Flow**

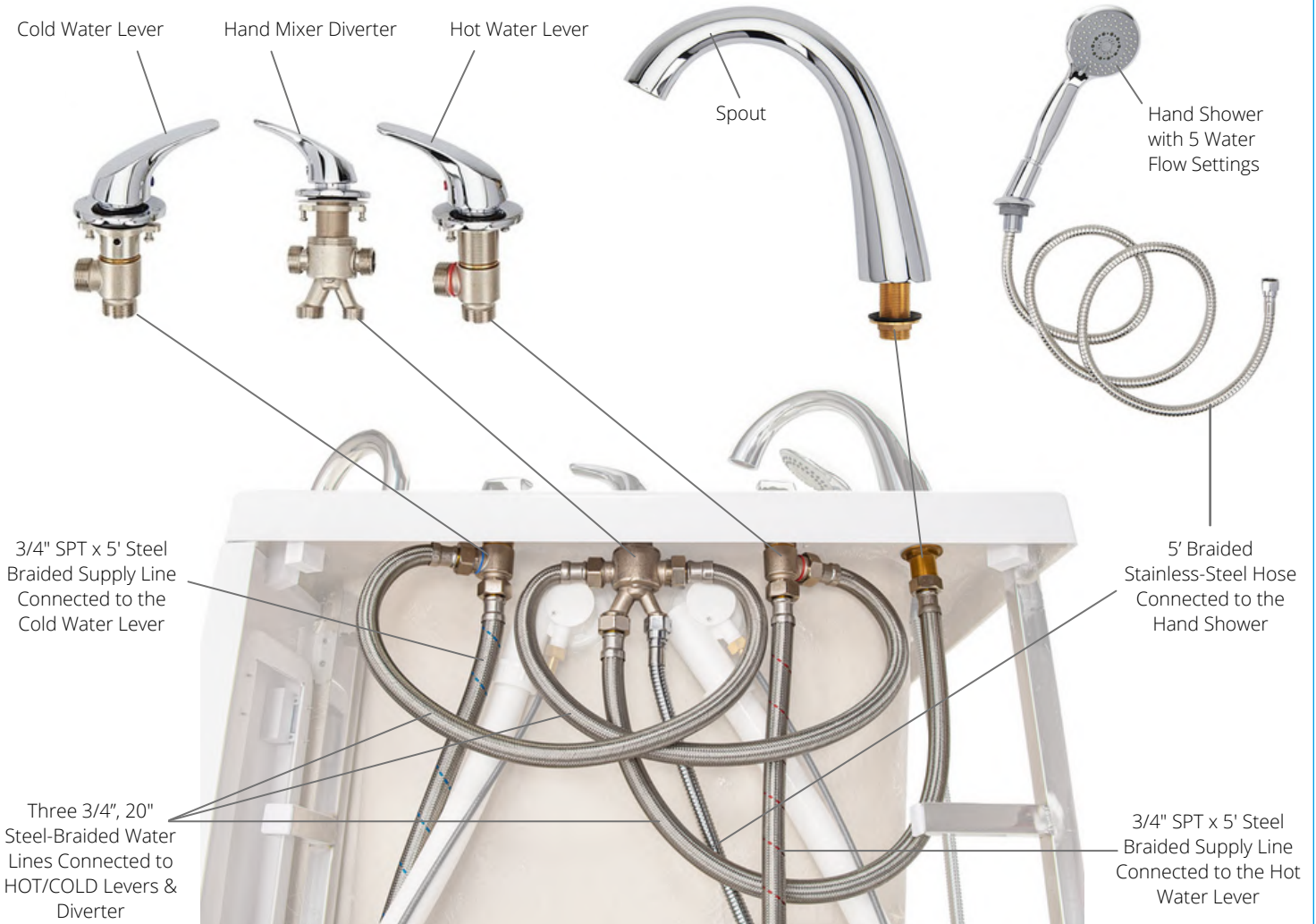
- Hand shower is limited to 1.9 GPM (7.5L/min)
- Faucet fill rate designed for 18 GPM (68.1L/min)

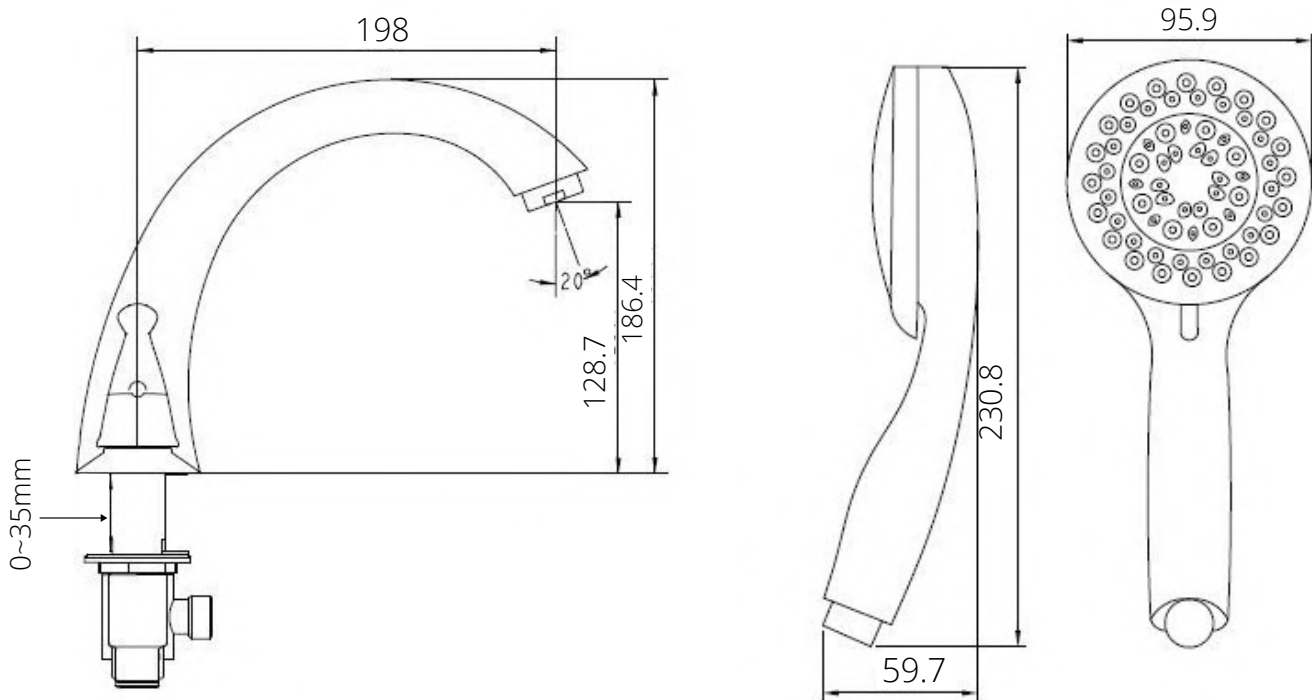
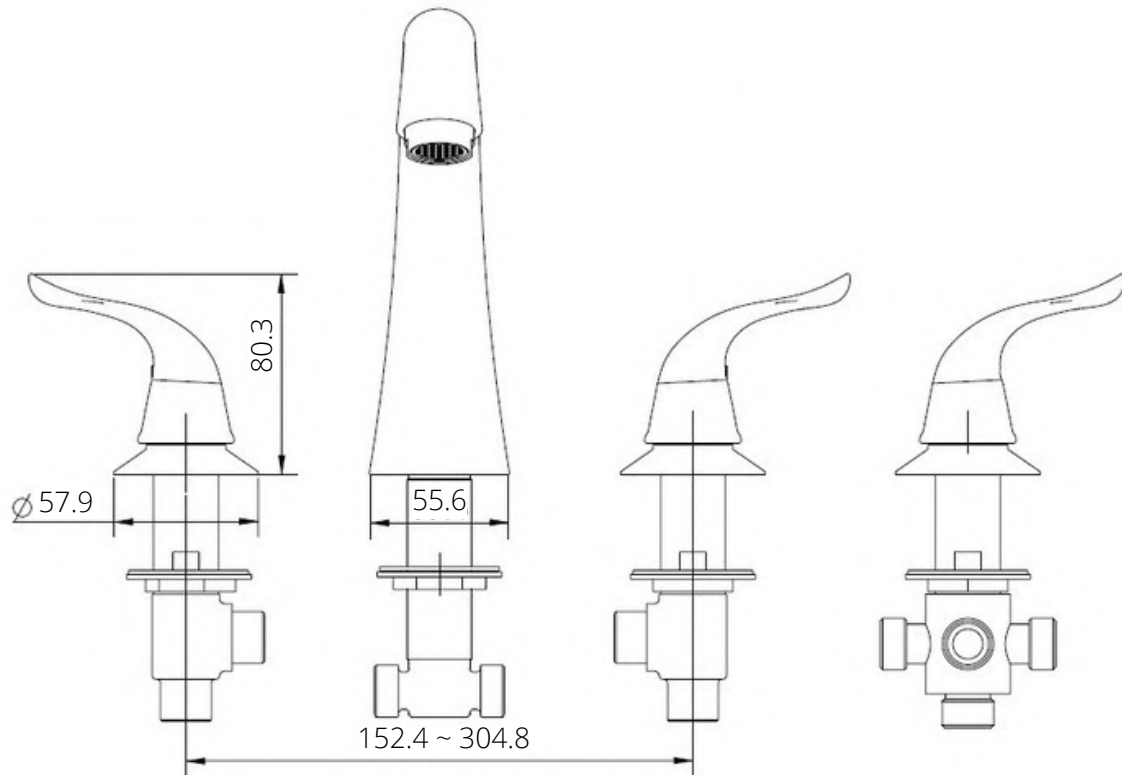
**Cartridge**

- 40mm high flow cartridge design
- Nonmetallic/nonferrous and stainless-steel material

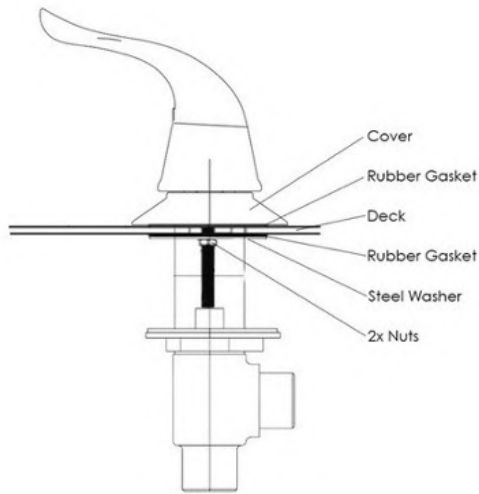


## Ella 5 Piece Fast-Fill Faucet Contents

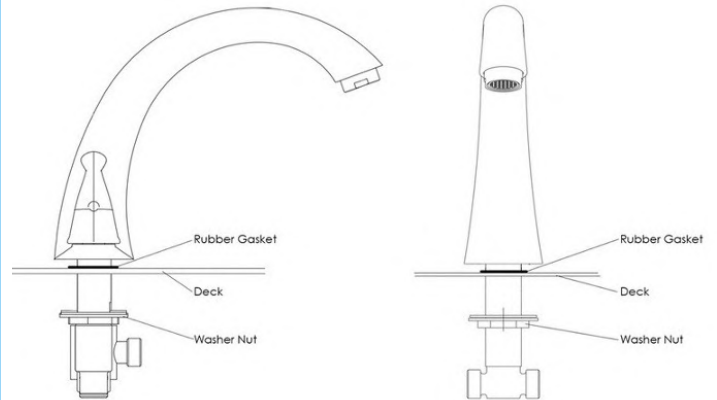




Step-by-step Instructions to install an Ella 5-piece faucet.



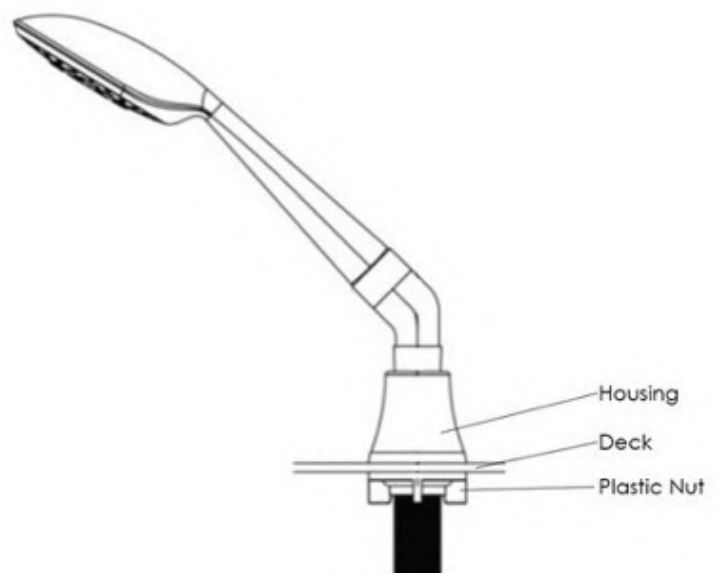
**1.** Unscrew the 2 nuts securing the steel washer and rubber gasket. In this order, remove the steel washer and rubber gasket, place your lever on the deck, replace the rubber gasket and the steel washer. Firmly secure the 2 nuts to hold the fixture in place.



**2.** Unscrew the washer nut and place the rubber gasket and spout above the deck. After, secure the washer nut from underneath the deck.

**3.** Remove the plastic nut and insert your hand mixer and hose into your deck opening. Re-secure the plastic nut underneath the deck to hold the hand mixer and housing firmly in place.

**4.** Connect the supply lines provided with your Ella 2-Piece Fast Fill Faucet to their respective hot and cold connections.









# Replacing A Valve Cartridge

Step-by-step Instructions to replace a valve cartridge for Ella 2-piece faucets.

Step.1 Remove the Hot/Cold screw hole cover.



Step.2 Use an Allen wrench to remove the handle Screw.



Step.3 Take out the handle and remove the brass escutcheon



Step.4 Use a wrench to unscrew the pressure cap.



Step.5 Remove the cartridge and replace it with new piece.

