

**Actual Size:** 32" x 60" x 40" • (81 cm x 152 cm x 102 cm)

**Seat Width:** 23" & 24.5" • (58 cm & 62 cm)

**Shipping Size:** 34" x 62" x 50" • (86 cm x 157 cm x 127 cm)

**Net Weight:** 251 lbs. • (113 kg)

**Shipping Weight:** 300 lbs. • (136 kg)

**Drainage Time:** +/- 130 seconds at ideal plumbing conditions (unoccupied)

**Included Features:**

1. Acrylic Tub Shell
  - Gloss white finish
  - Fiberglass gelcoat reinforced
2. Stainless steel frame with adjustable leveling Legs.
3. Inward swinging removable brushed stainless-steel door with a frosted tempered glass.
4. Each drain has two (2) 2-inch outlets, one overflow and a stainless steel cable operated opener with an extended handle in chrome finish.
5. Two (2) front and one (1) end reversible removable access panel.
6. Stainless Steel 16" (41cm) towel bar
7. Removable swivel tray in a white matte finish.
8. Digital control pad, and push controls for Hydro + Hydro option

**Jetting & Therapy Options:**

1. Air + Hydro + Hydro/Foot Massage (Multicolor LED Light Included)
2. Air + Hydro + Hydro/Foot Massage + Microbubble (Multicolor LED Light Included)



## Jetting Options

**Hydro Massage**

- Hydro Massage Pump
- Hydro Massage Intensity Dial Control
- Ozone Sterilization
- 14 upper jets (hips and back) & 6 lower jets (feet and calves)
- On/Off Push Control

**Hydro Foot Massage**

- 1 Hydro Massage Pumps
- 2 Hydro Massage Intensity Dial Controls
- Ozone Sterilization
- 6 lower jets (feet and calves) & 14 upper jets (hips and back)
- On/Off push control
- In-Line Water Heater

**Air Massage**

- Air Massage Pump
- 3 Speed Pump
- Auto-purge (Activates 20 minutes after pump shutdown)
- 10 upper Jets (hips and back) & 6 lower jets (feet and calves)
- On/Off push control

**Microbubble Therapy**

- Air Pressure Pump
- Pressure Tank
- On/Off push control

## Faucet Options

**Two-Piece Fast Fill Faucet**

- Up to 10 16 GPM @ 60 PSI an ideal in-home plumbing conditions
- Two 5' water supply lines with 3/4" connectors
- Pull out, hand held, chrome plated hand shower with a 5' ft. retractable stainless steel braided hose



**Optional Features**

Heated Seat and Backrest

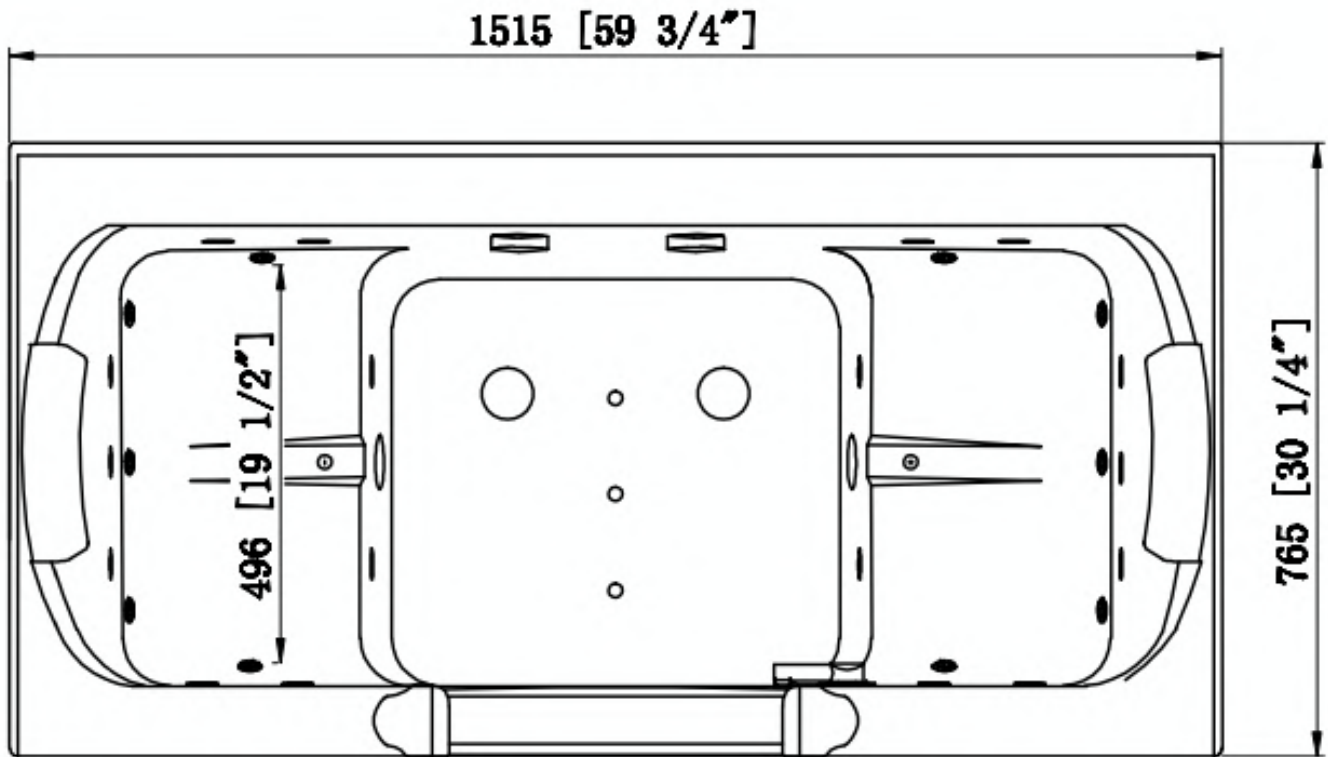
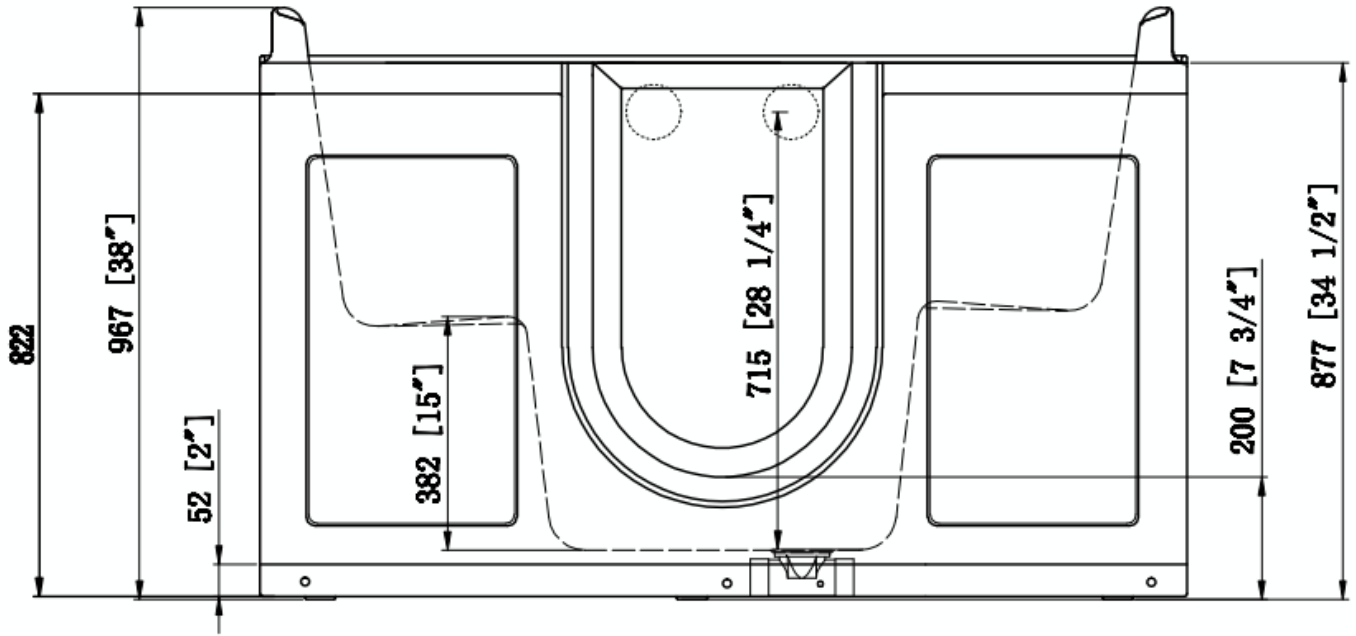
**Electrical Requirements**

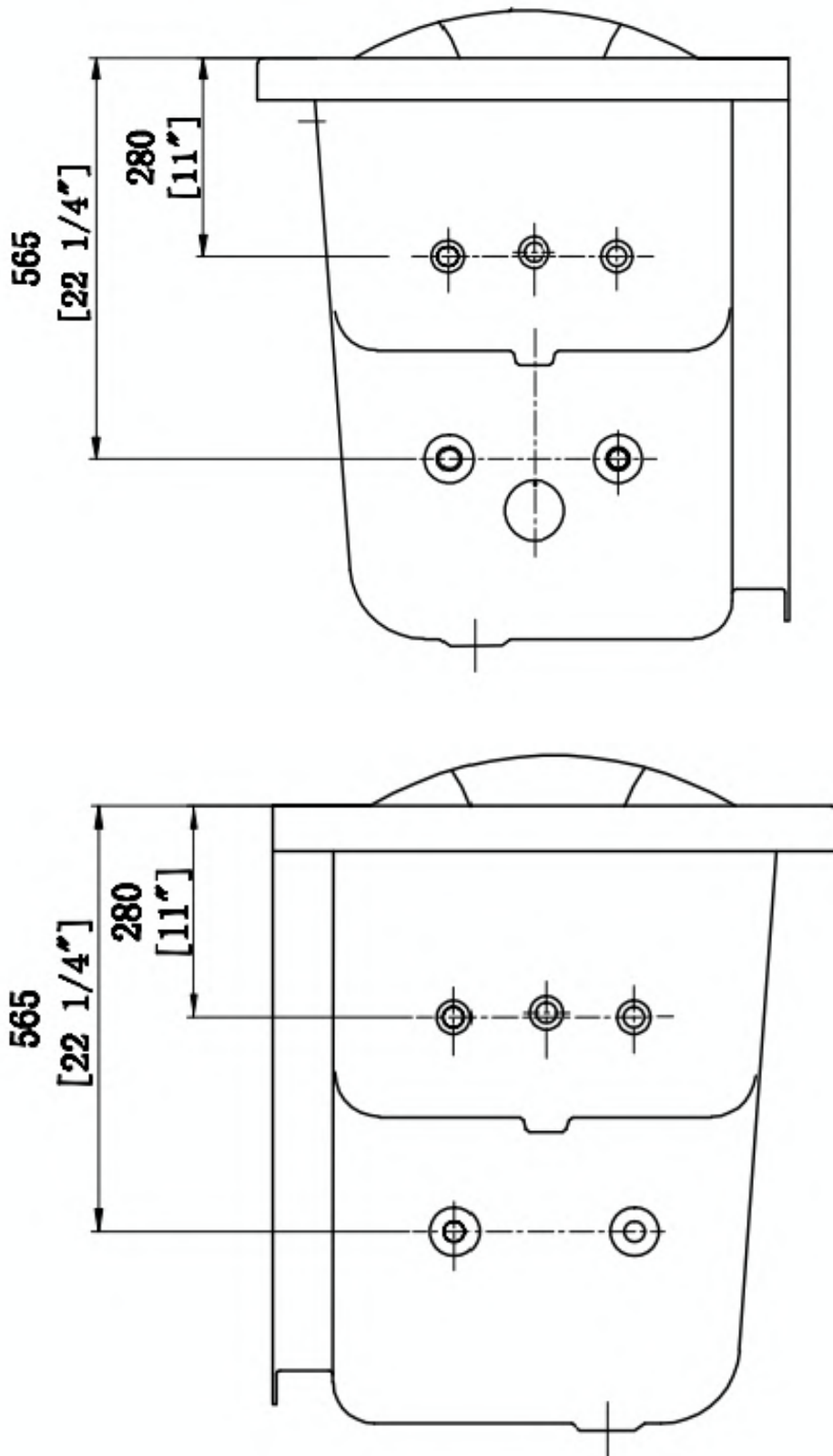
Dedicated GFCI protected electrical line(s) required

**Warranty**

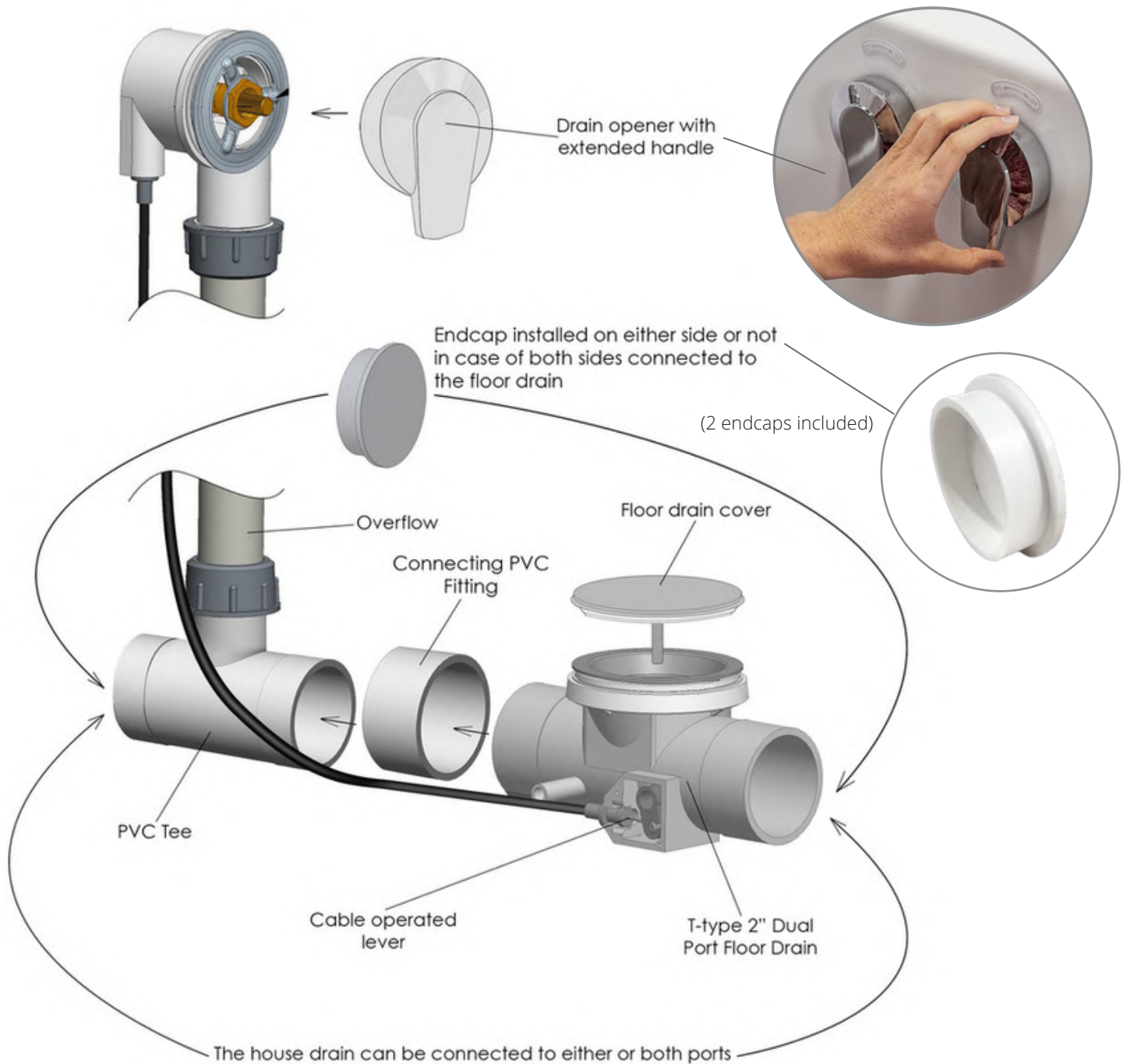
- Lifetime limited\* warranty on shell, frame, door, and parts to original purchaser/Address • Labor or installation is not covered - please refer to the Ella warranty certificate
- Non Ella brand faucets covered under manufacturers original warranty

**Disclaimer\*:** AMP value for each pump may change based on availability. Please verify before purchase. (800.480.6850)





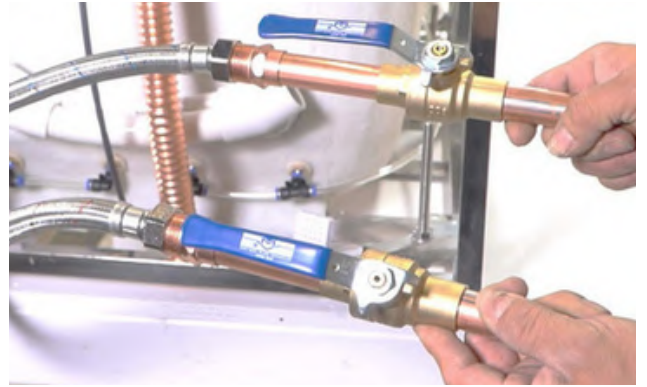
## Dual Drain Technology - Two 2 Inch Independent Floor Drains



Two 3/4" connector water supply lines included with Ella Fast Fill Faucets



Connect to Shut Off Valves (not included)



All electrical fixtures connect to a dedicated GFCI protected outlet.



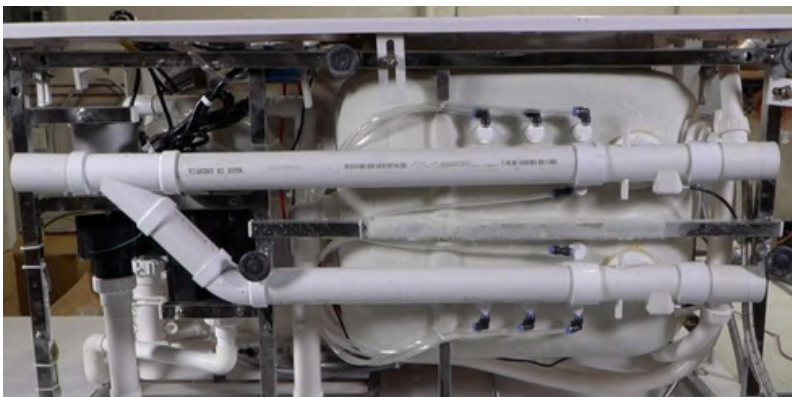
Drain Cap

Use a drain cap to close unused drain port.



T-Type four (4) 2" drain ports allow for the drain pipe to be installed in either direction.

Images below show examples of PVC pipe connections (not included). Reducers can be used to connect smaller drain pipes.





# Ella 2 Piece Single Lever Fast-Fill Faucet

## Description

Solid brass spout chrome finish single lever high flow bathtub faucet with diverter button Two (2) 3/4" 5' braided stainless-steel supply lines Pull out hand shower mixer with 5 settings and 5' braided hose in a Chrome or Brushed Nickel finish.

## Flow

- Hand shower is limited to 1.9 GPM (7.5L/min)
- Faucet fill rate designed for 18 GPM (68.1L/min)

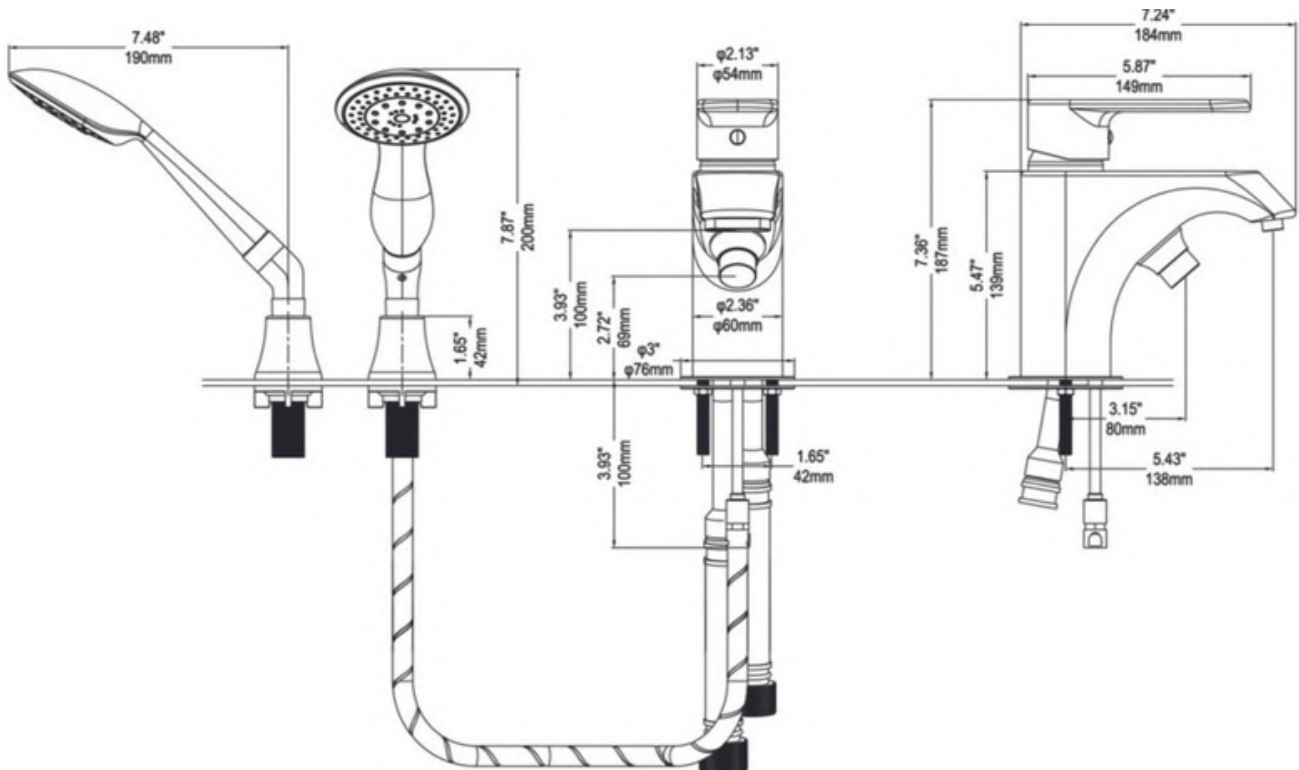
## Cartridge

- 40mm high flow cartridge design
- Nonmetallic/nonferrous and stainless-steel material

## Standards

- Third party certified to meet: CSA B125.1, ASMEA112.18.1, ICC117.1 and all applicable requirements referenced therein
- Certified to ANSI/NSF 61/9
- ADA for lever/handle
- IAPMO R&T UPC certified

**NOTE:** This faucet is designed to be installed through: 2-1/2" diameter hole for faucet, 1/3" diameter hole for mounting rods, and a 7/8" diagonal hole for the hand shower.



# Replacing A Valve Cartridge

Step-by-step Instructions to replace a valve cartridge for Ella 2-piece faucets.

Step.1 Remove the Hot/Cold screw hole cover.



Step.2 Use an Allen wrench to remove the handle Screw.



Step.3 Take out the handle and remove the brass escutcheon



Step.4 Use a wrench to unscrew the pressure cap.



Step.5 Remove the cartridge and replace it with new piece.

