

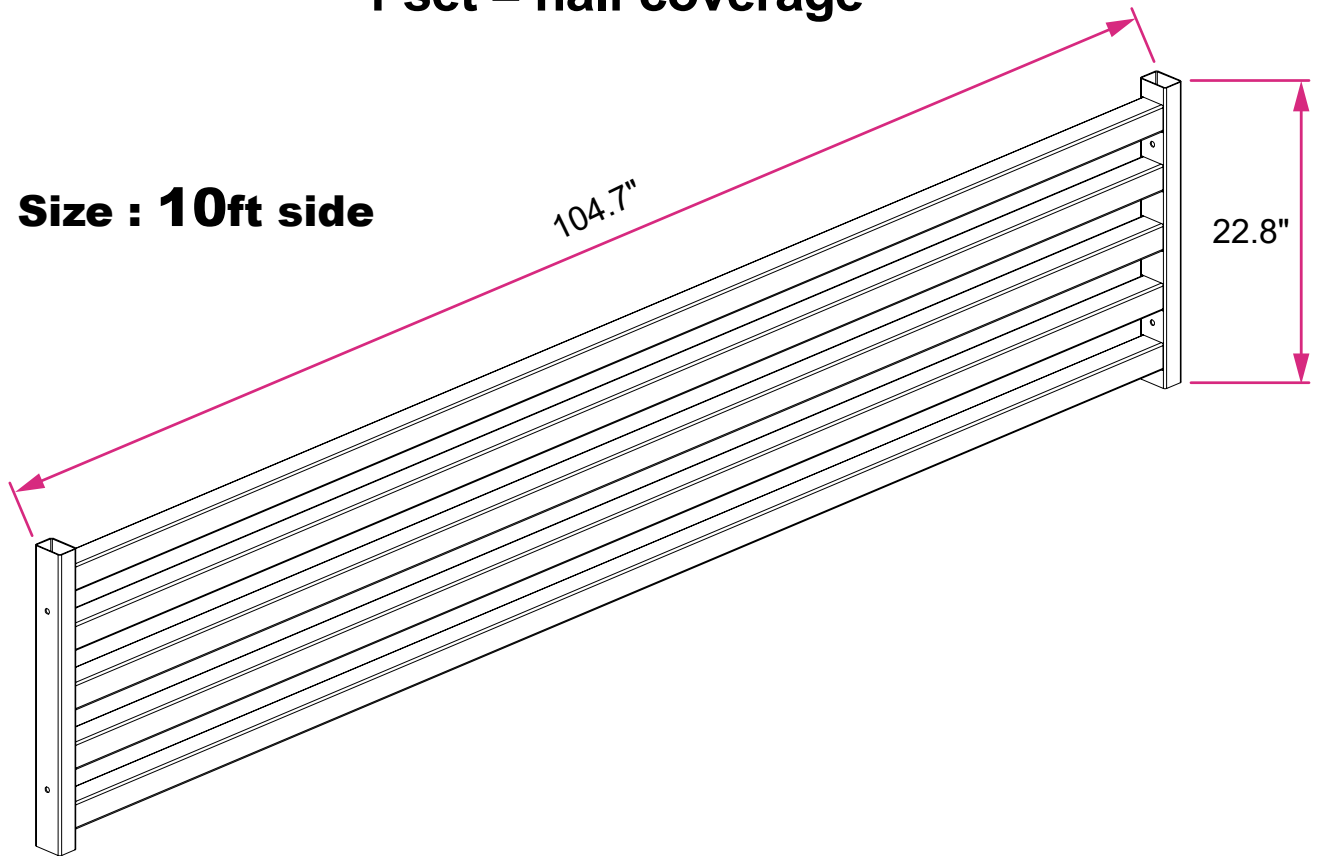


BON PERGOLA

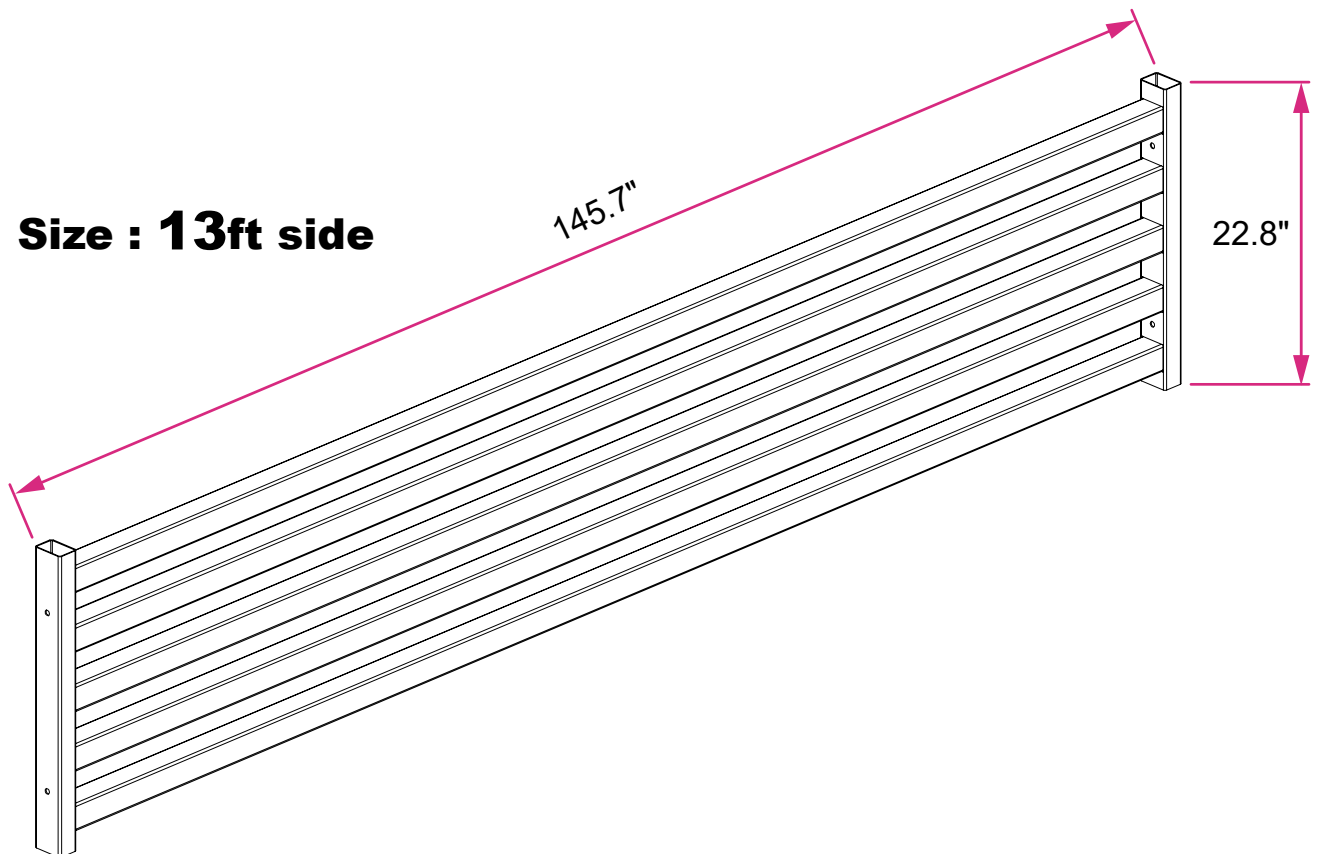
Premium Slat Fence

1 set = half coverage

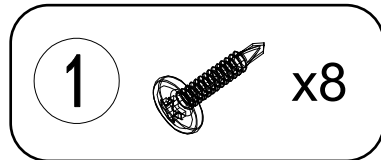
Size : 10ft side



Size : 13ft side

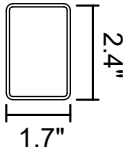

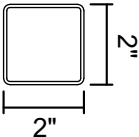
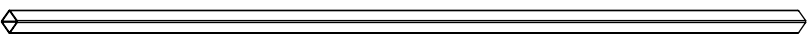


Parts List



HARDWARE AND OTHER PART:


- ① ST4.2x45 countersunk self-tapping screw.

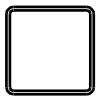
<p style="text-align: center;">A</p>		 <p style="text-align: right;">x4</p>
<p style="text-align: center;">B</p>		 <p style="text-align: right;">x10</p>

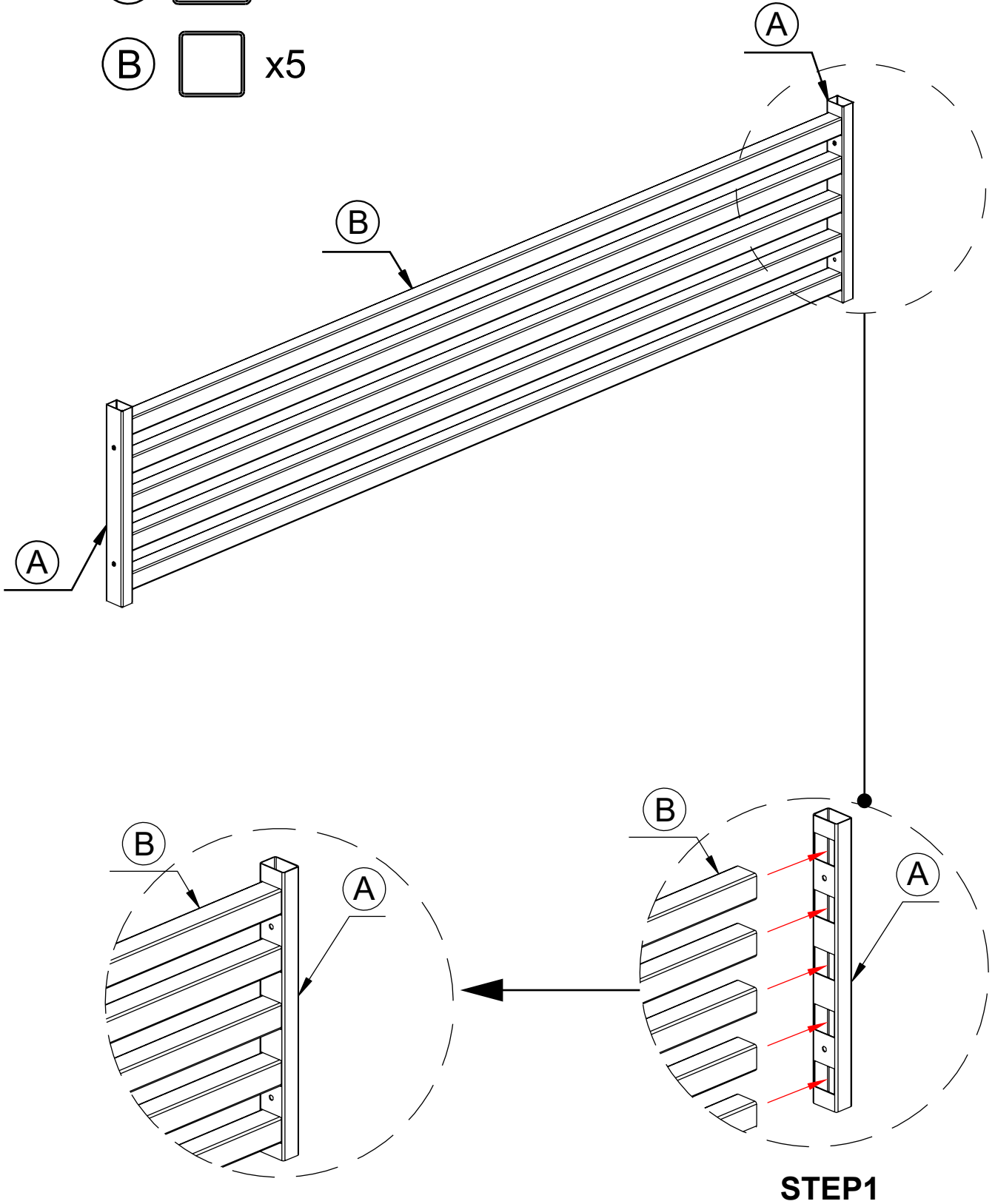
Parts list:

- Ⓐ Wall Mount kit
- Ⓑ Square tube

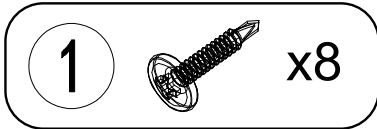
1. Put (B) into (A) to make it a slat fence.

(A)  x2

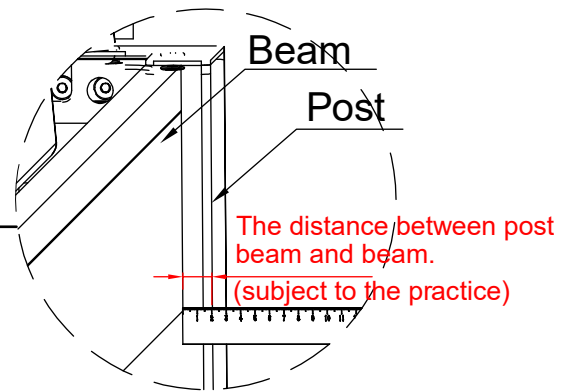
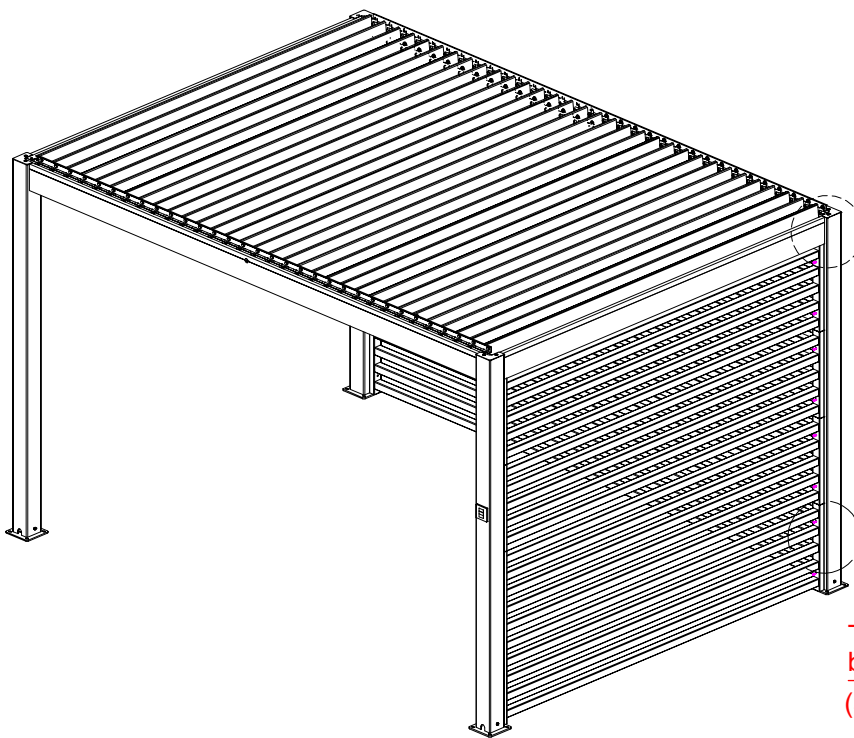
(B)  x5



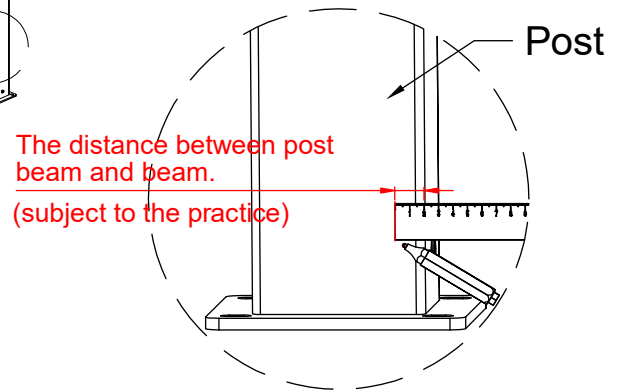
STEP1



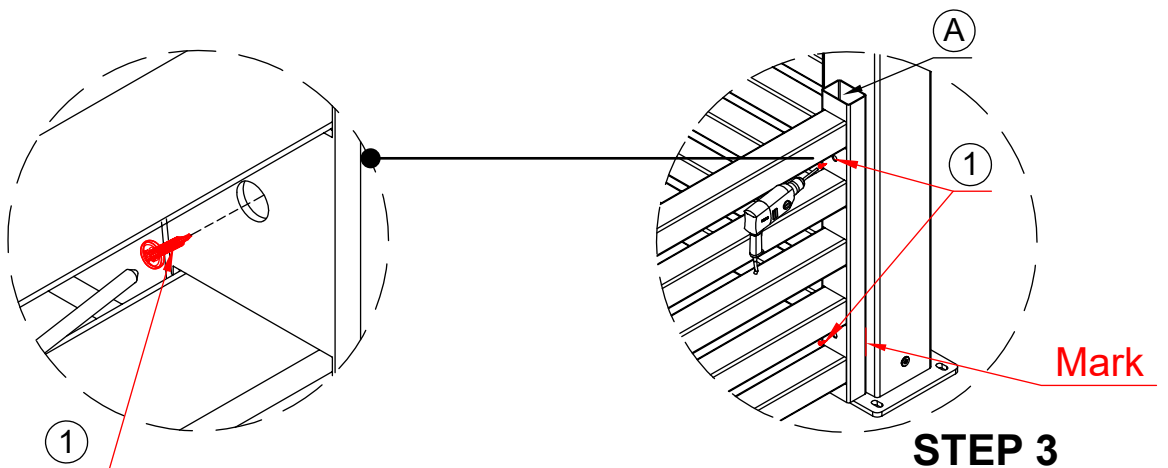
1. Measure the distance between profile face of beam and profile face of post.
2. Make a marks on the post before installing fence (make sure the fence is aligned with the beam).
3. Put the fence aligning to the marks. Screw ① into the (A) holes and tighten it with a electric drill. Make sure the fence is fixed well with the pergola post.
4. Repeat steps ② and ③ to install the fence completely.



STEP 1



STEP 2



STEP 3