

Actual Size: 36" x 80" x 40" • (91.44cm x 203.2cm x 101.6cm)

Shipping Size: 38" x 82" x 50" • (97cm x 208cm x 127cm)

Net Weight: 328lbs • (149kg)

Shipping Weight: 531lbs • (241kg)

Seat Width: 22" & 24" • (56cm & 61cm)

Unoccupied Water Capacity: 145gal • (549L) **Occupied**

Water Capacity: 85-135gal • (322 - 511L)

Features

1. Acrylic shell gloss white finish fiberglass gelcoat reinforced
2. Stainless steel frame with adjustable leveling legs
3. Plastic composite and tempered glass outward swing door with 3 latch gear & shaft mechanism
4. Removable front apron with two access panels
5. One reversible end panel
6. Stainless steel chrome finish wall-mounted grab bar
7. Two 2" 4-port PVC drains with 2 end caps included, 2 overflows, 2 stainless steel operated openers with extended handles in chrome finish

Jetting & Therapy System

Hydro Massage for Seat Jets:

- Hydro Massage Pump 9A 1250W
- Intensity Dial Air Control
- 16 Upper Seat Jets (8 on each seat)
- Controlled by Digital Controller



Hydro Massage for Foot & Calf Jets:

- Hydro Massage Pump 7A 1000W
- Intensity Dial Air Control
- 4 Foot and 4 Calf Jets
- On/Off Push Control
- In-Line Water Heater - 6A 800W
- Ozone Sterilization - 0.04A

LED Chromotherapy Light

- Multicolor LED Light Bulb 0.5A
- Transformer
- Controlled by Digital Control Pad

Air Massage:

- Air Massage Pump 4.5A 500W
- 3 Speed Pump
- Auto-Purge (activates 20 minutes after pump is turned off)
- 18 Seat Jets (9 on each seat) 4 Foot Jets
- Controlled by Digital Controller

Two-Piece Fast Fill Faucet (2)

- Up to 10 16GPM @ 60PSI an ideal in-home plumbing conditions
- Two 5' water supply lines with 3/4" connectors
- Pull out, hand held, chrome plated hand shower with a 5' ft. retractable stainless steel braided hose

Optional Features

MicroBubble Therapy System

- 1 HP Pump 7.3A
- Pressure Vessel
- On/Off Push Control
- Agitator Valve

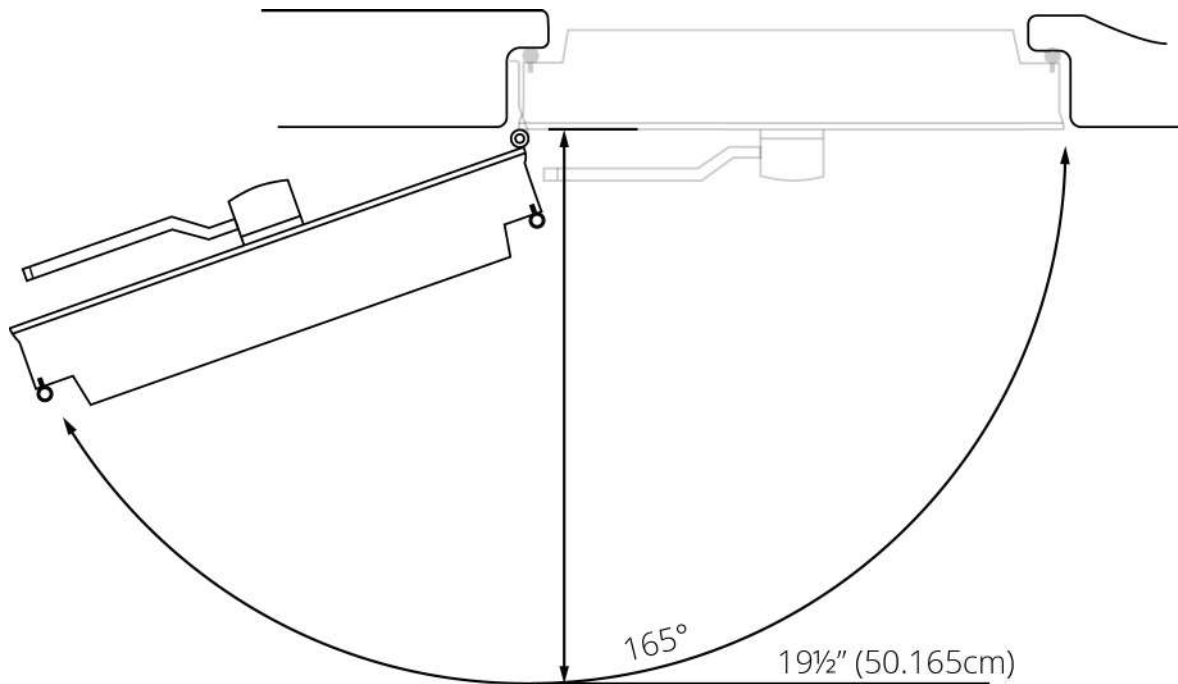
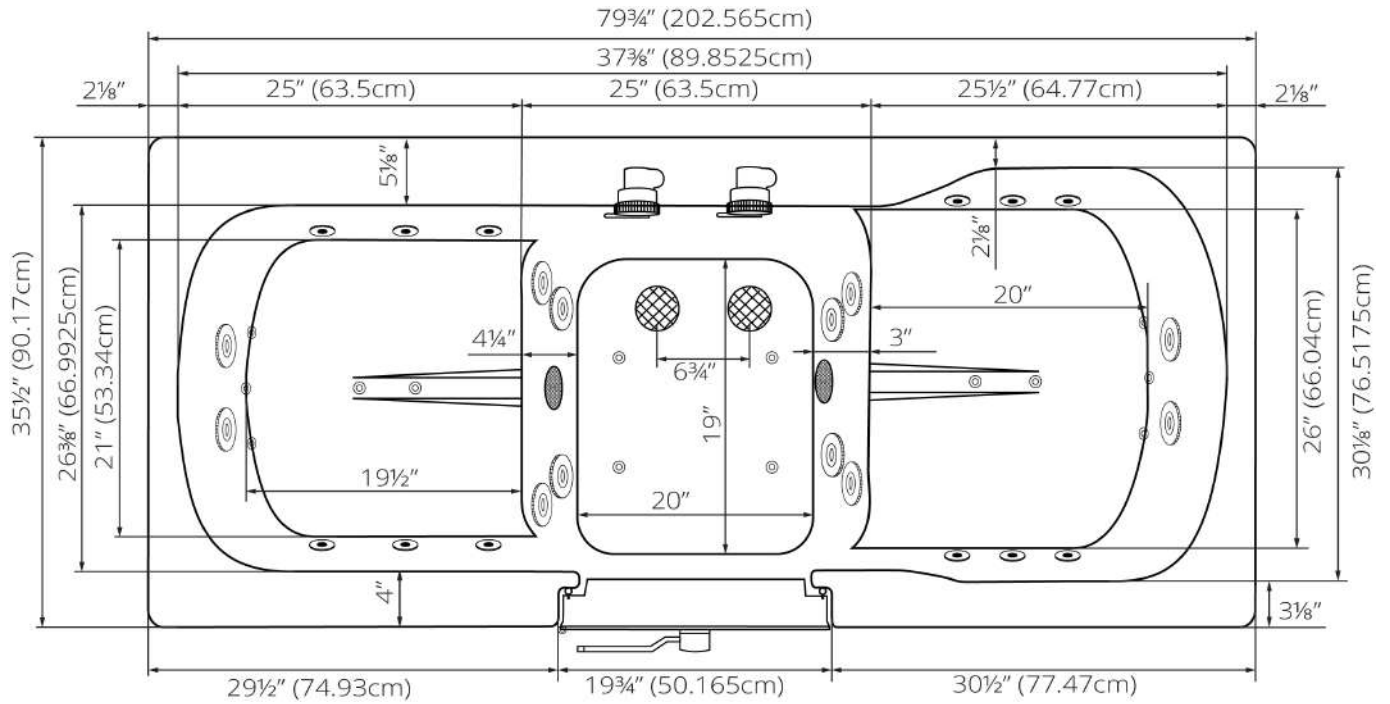
Heated Seat and Backrest

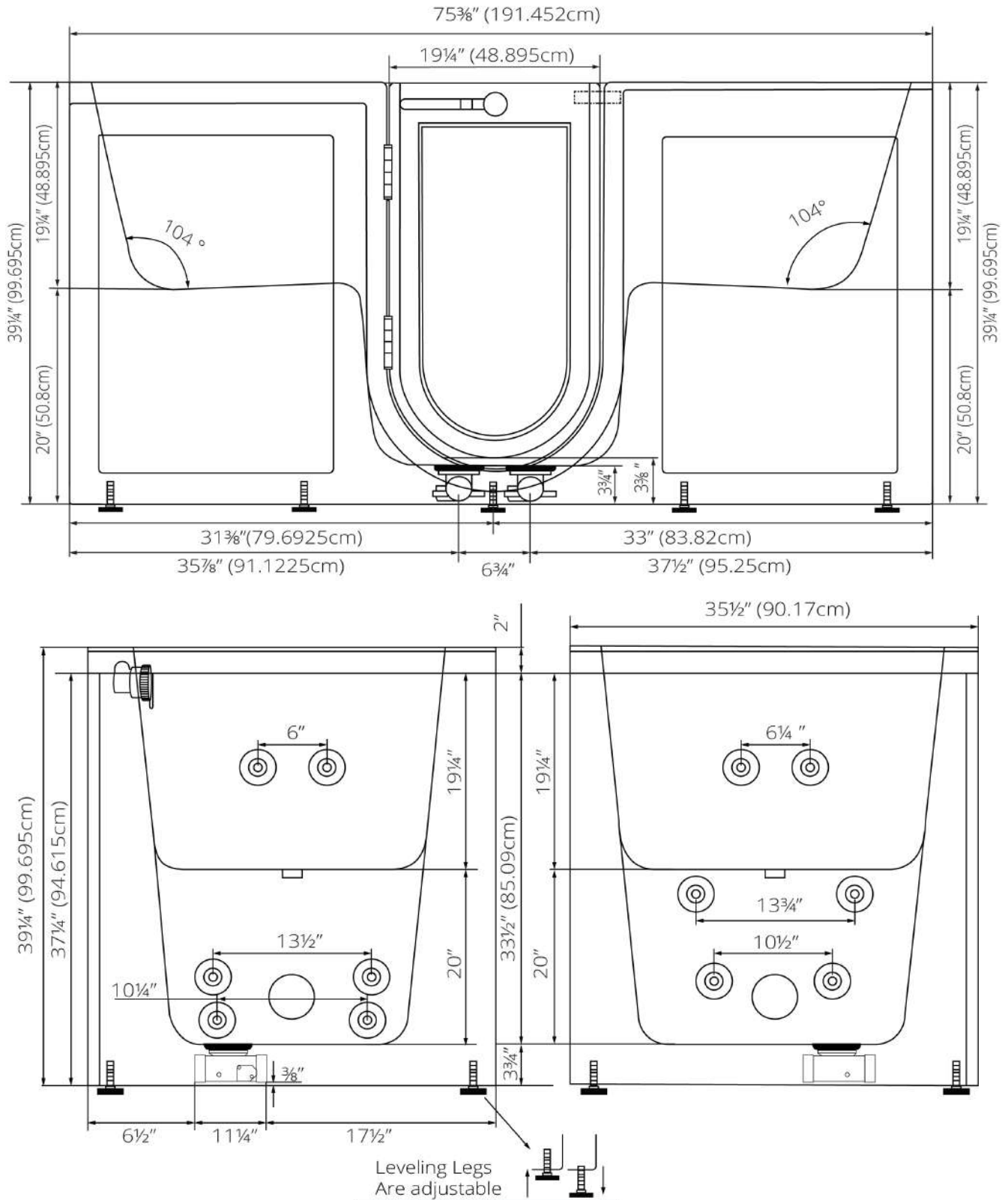
Warranty

- Lifetime limited* warranty on shell, frame, door, and parts to original purchaser/address
- Labor or installation is not covered - please refer to the Ella warranty certificate

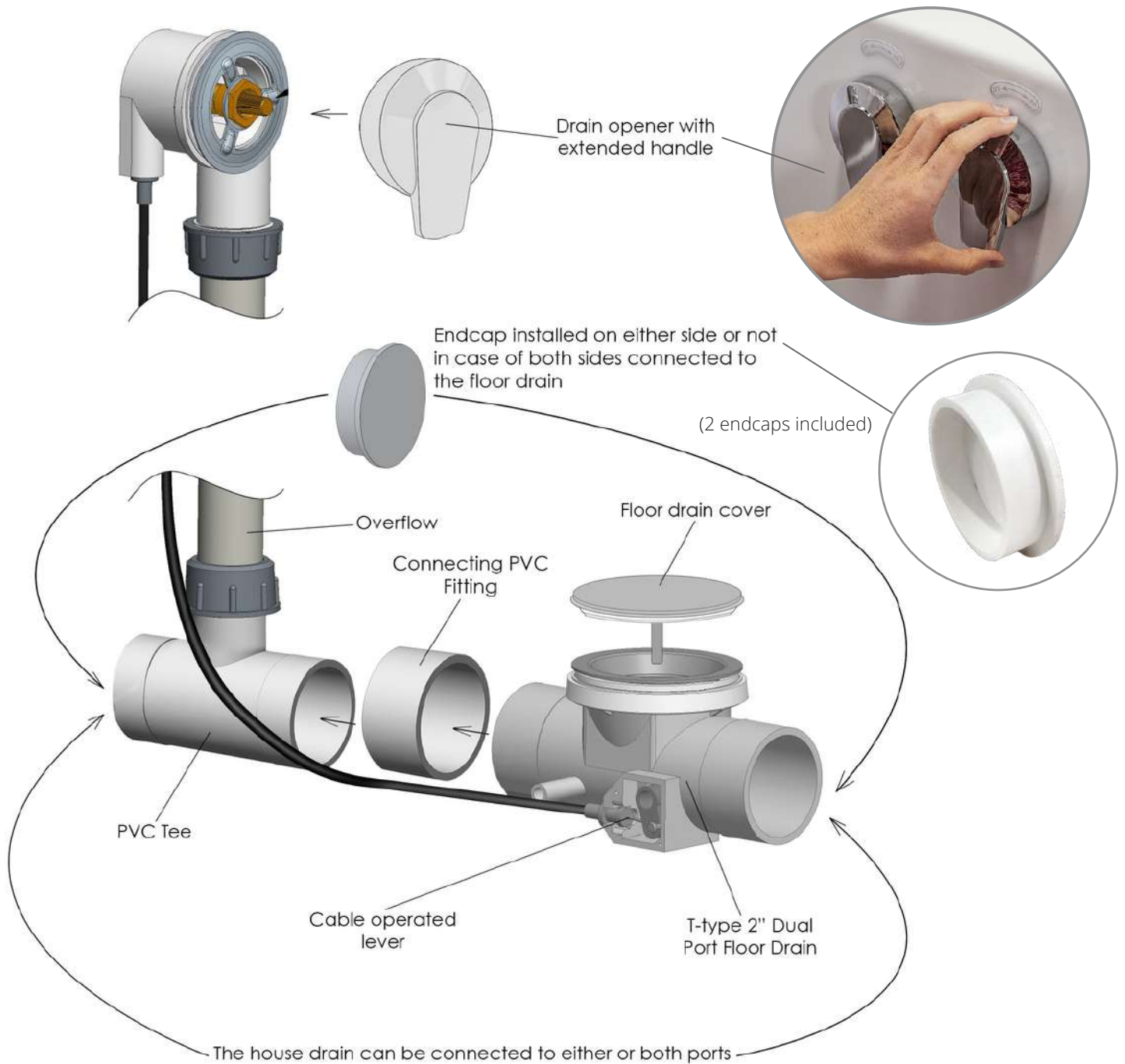
Electrical Requirements

Dedicated GFCI protected electrical line(s) required
115V 60Hz equipment





Dual Drain Technology - Two 2 Inch Independent Floor Drains



Two 3/4" connector water supply lines included with Ella Fast Fill Faucets
Connect to Shut Off Valves (not included)



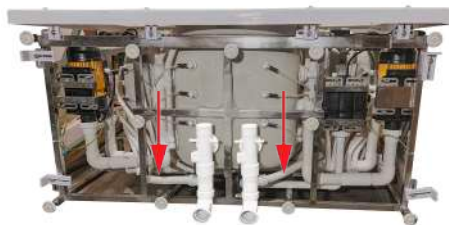
All electrical fixtures connect to a dedicated GFCI protected outlet or GFCI protected Circuit Breaker.



Images below show examples of PVC pipe connections (not included). Reducers can be used to connect smaller drain pipes.

T-Type four (4) 2" drain ports allow for the drain pipe to be installed in either direction.

Drain Caps Installed On Either Side Of The Drain unused Port.



Ella 2 Piece Single Lever Fast-Fill Faucet

Description

Solid brass spout in a chrome finish with a 5-setting pull out hand shower mixer with back-flow prevention valve this includes a 5' braided hose. Two 3/4" 5' braided stainless-steel supply lines are included along with Cold/Hot levers with a diverter for the hand mixer

Flow

- Hand shower is limited to 1.9 GPM (7.5L/min)
- Faucet fill rate designed for 16 GPM (68.1L/min)

Cartridge

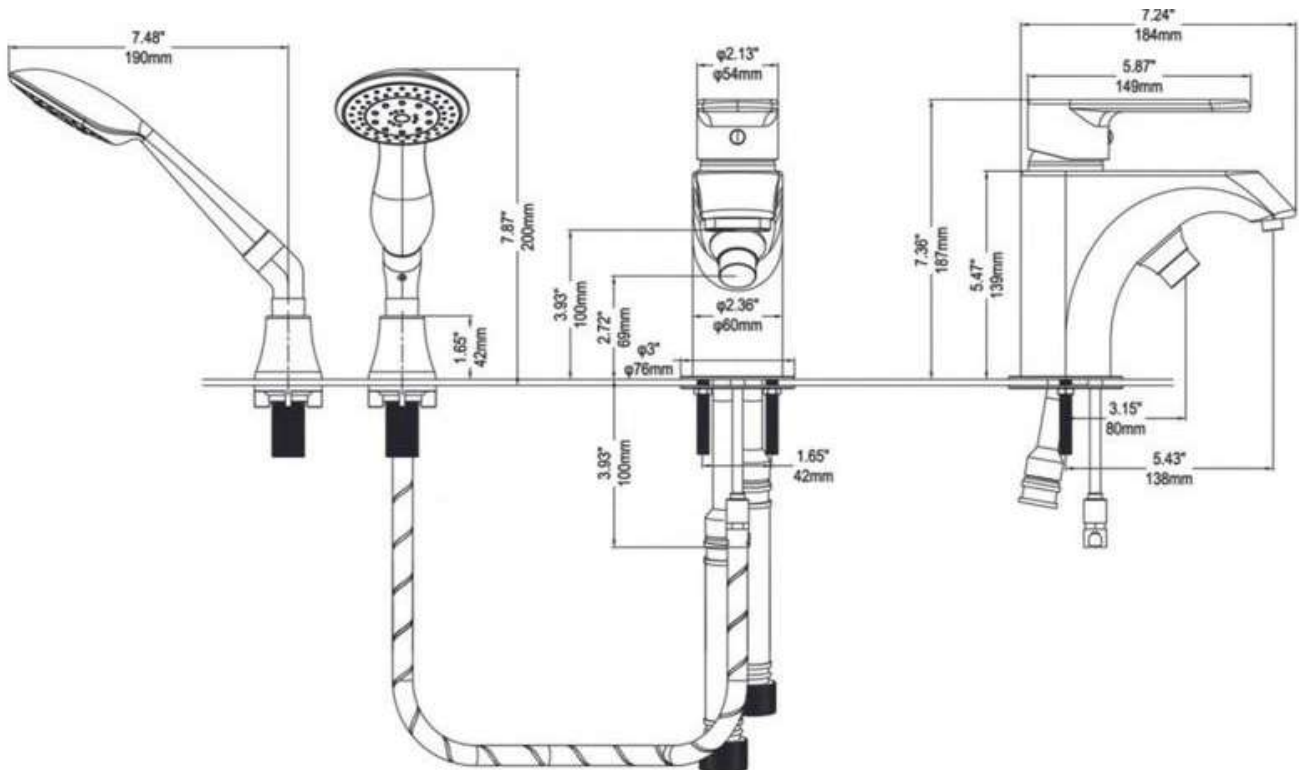
- 40mm high flow cartridge design
- Nonmetallic/nonferrous and stainless-steel material

Standards

- Third party certified to meet: CSA B125.1, ASMEA112.18.1, ICC117.1 and all applicable requirements referenced therein
- Certified to ANSI/NSF 61/9
- ADA for lever/handle
- IAPMO R&T UPC certified

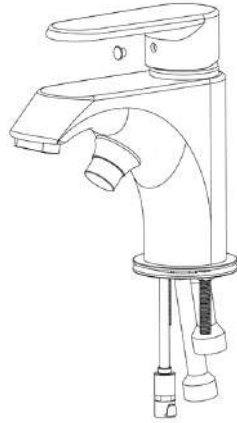


NOTE: This faucet is designed to be installed through 2-1/2" diameter hole for faucet, 1/3" diameter hole for mounting rods, and a 7/8" diagonal hole for the hand shower.



Step-by-step Instructions to replace a valve cartridge for Ella 2-piece faucets.

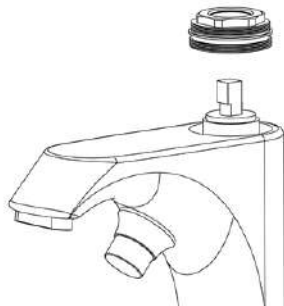
Step.1 Remove the Hot/Cold screw hole cover.



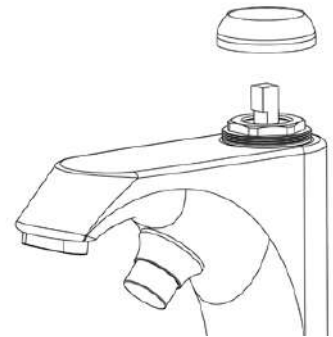
Step.2 Use an Allen wrench to remove the handle Screw.



Step.3 Take out the handle and remove the brass escutcheon



Step.4 Use a wrench to unscrew the pressure cap.



Step.5 Remove the cartridge and replace it with new piece.

