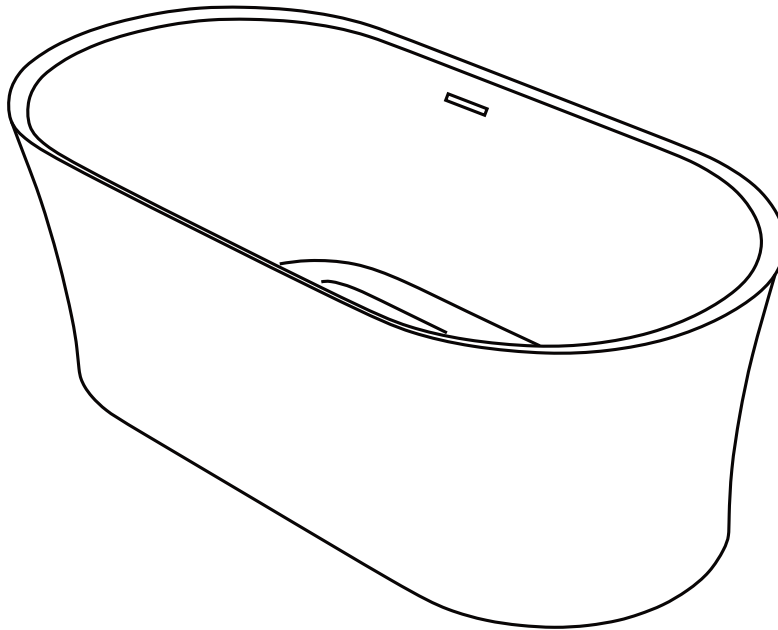


INSTALL & CARE GUIDE

APPLICABLE FOR ALL ANZZI
FREESTANDING SOAKER BATHTUB
V2.6

ANZZI®



**DON'T WAIT!
REGISTER NOW!**

Register your product within 90 days to ensure your bathtub is recognized as an official purchase and is eligible for warranty coverage.

Mail in the completed registry card (Pg. 2) or register online at www.ANZZI.com/register.



PRODUCT REGISTRATION*

IMPORTANT: YOUR WARRANTY WILL NOT BE RECOGNIZED UNLESS THIS CARD IS FULLY COMPLETED AND RETURNED OR ONLINE REGISTRATION IS COMPLETED.

To ensure that your warranty is registered and confirmed please do one of the following:

1. **Register online at www.ANZZI.com/register.** You will be asked to fill out the same information you would in the registration card. Registering online is fast, secure and ensures we receive your information.

2. **Complete, cut-out and mail the registration card below.** By returning this registration card we confirm the date of purchase for your new product. This confirmation will allow us to process any warranty claims.

Mail the card to: 5701 NW 35 Avenue, Miami, FL 33142



Product Registration Card

Name Address

City State..... Zip.....

Phone Email

Date of Purchase..... **Order or Purchase #**..... **SKU or Model #**.....

Installer's Name Phone

I have read the Owner's Manual carefully and understand and agree that any installation, operation or maintenance of the bathtub must be done strictly in accordance with instructions and guidelines contained in the owner's manual and installation guide.

Signature _____ Date _____



SAVE THESE INSTRUCTIONS!

READ THESE INSTRUCTIONS COMPLETELY BEFORE INSTALLING THE PRODUCTS. FAILURE TO DO SO COULD RESULT IN AN IMPROPER INSTALLATION AND COULD VOID THE WARRANTY.

IMPORTANT SAFETY INSTRUCTIONS. INSTRUCTIONS IMPORTANTES RELATIVES A LA SECURITE.

READ AND FOLLOW ALL INSTRUCTIONS. LIRE ET SUIVRE TOUTES LES INSTRUCTIONS.

SAVE THESE INSTRUCTIONS. CONSERVER CES INSTRUCTIONS.

RESPONSIBILITY OF THE INSTALLER!

THE INSTALLER MUST INSPECT AND WATER TEST THE PRODUCT PRIOR TO INSTALLATION TO ENSURE THE UNIT IS FREE OF DEFECT OR DAMAGE. IN THE EVENT OF A PROBLEM, THE UNIT MUST NOT BE INSTALLED. IF THE CRATE OR THE PRODUCT HAS BEEN DAMAGED DURING SHIPPING, PLEASE CALL US IMMEDIATELY.

THIS PRODUCT MUST BE INSTALLED BY A LICENSED/CERTIFIED CONTRACTOR!

LICENSED PLUMBERS SHOULD BE EMPLOYED TO INSURE PROPER INSTALLATION. INSTALLERS ASSUME ALL LIABILITY FOR THE CORRECT INSTALLATION PROCEDURES. ONLY ACCESSORIES AUTHORIZED BY THE MANUFACTURER SHOULD BE USED WITH THIS PRODUCT.

REPORT DAMAGES OR MISSING PARTS RIGHT AWAY! REPORT ANY DAMAGES TO THE BATHTUB OR PMISSING PARTS / COMPONENTS WITHIN 5 BUSINESS DAYS. ANY DAMAGES OR MISSING ITEMS BEYOND THAT WILL BE ASSUMED TO HAVE HAPPENED DURING AND AFTER THE INSTALLATION.

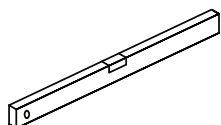
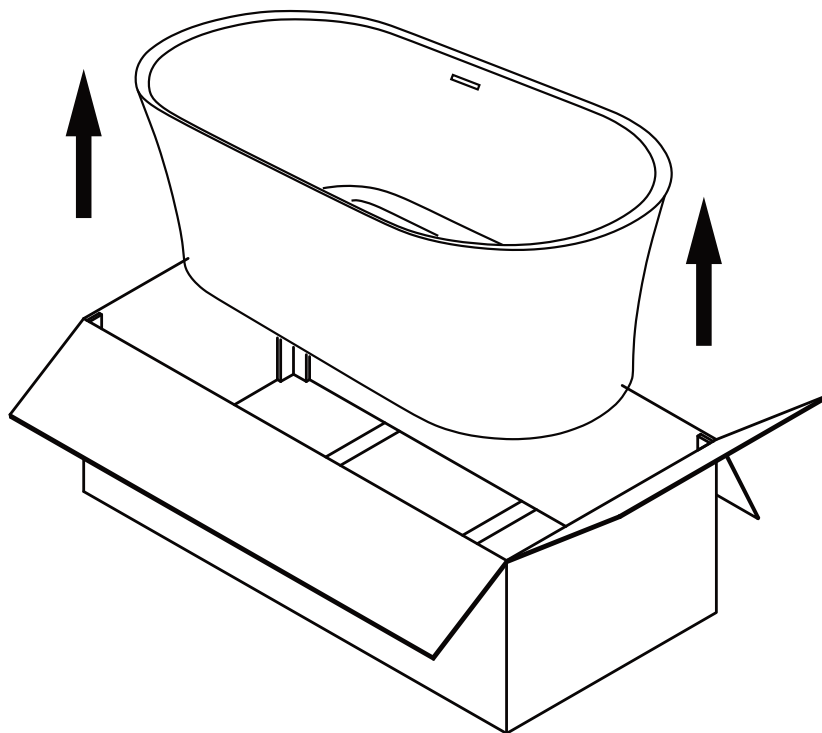
TEST THE TUB BEFORE INSTALLATION! BEFORE PERMANENTLY INSTALLING THE BATHTUB, YOUR INSTALLER MUST TEST THE BATH. USE THE PROVIDED FLEX DRAIN, PLUG IN THE TUB AND POWER IT ON. FILL TUB AND INSPECT FOR ANY LEAKING. ONLY IF THERE ARE NO SIGNS OF MALFUNCTION OR LEAKAGE SHOULD YOU PROCEED TO PERMANENTLY INSTALL THE UNIT.

LEVEL THE TUB AND AVOID LEAKAGE! CHECK THE AREA PRIOR TO INSTALLATION. USE THE TUB'S ADJUSTABLE FEET TO ENSURE THE BATHTUB IS PERFECTLY LEVEL. IT IS ESSENTIAL THAT ALL THE FEET ARE TOUCHING THE FLOOR/SURFACE. AN UNLEVELED TUB WILL RESULT IN LEAKAGE.



UNPACK THE BATHTUB

REMOVE THE BATHTUB FROM THE BOX AND PREPARE THE FOLLOWING TOOLS. MAKE SURE TO AVOID CONTACT WITH ANY ROUGH SURFACE. IDEALLY, THERE SHOULD BE A TARP OR CARDBOARD SHEET BETWEEN THE TUB AND THE FLOOR'S SURFACE.



**LEVELER
RULER**
needed



**ADJUSTABLE
WRENCH**
needed



**TEFLON
TAPE**
needed



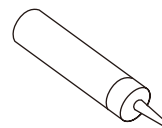
**FLEXIBLE
DRAIN**
included



**MARKING
PENCIL**
needed



**SICILONE
GUN**
needed



CAULK
needed

NOTE: THE INCLUDED FLEXIBLE DRAIN IS TO BE USED ONLY TO TEST THE BATHTUB BEFORE PERMANENT INSTALLATION. IT IS THE RESPONSIBILITY OF THE INSTALLER TO PROVIDE THE PERMANENT DRAIN ASSEMBLY.

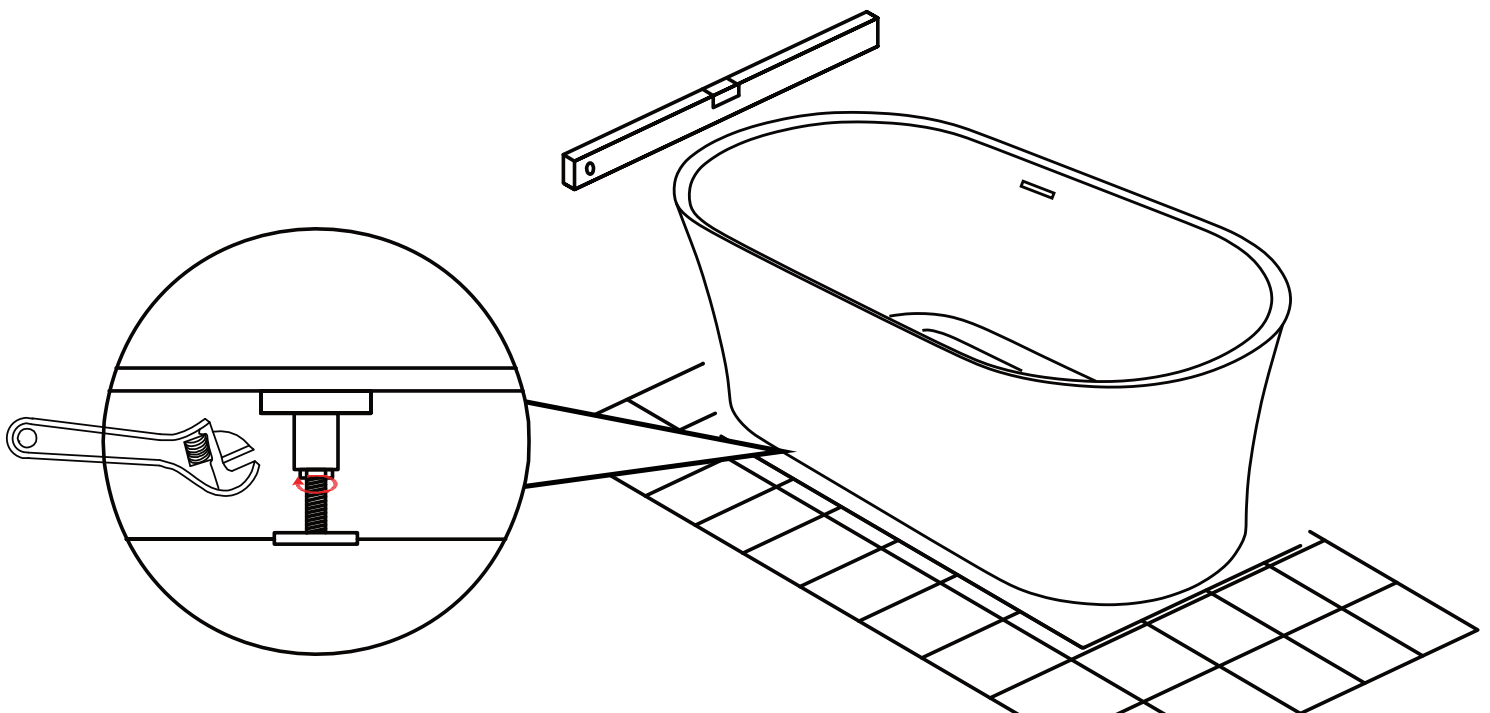
ANZZI®

** All ANZZI bathtubs are 100% water tested at the factory and certified to be free of leaks. Transportation and mishandling may cause leaks. It is necessary to test the bathtub while there is access to all sides of the bathtub.*

TEST THE BATHTUB WHILE YOU HAVE ACCESS TO THE BOTTOM AND BEFORE PERMANENTLY INSTALLED.

READ AND FOLLOW ALL INSTRUCTIONS

- Place the tub on a completely flat surface in an area where it may be drained after testing.
- Close the drain and fill the tub about half way.
- Allow the water to stand in tub for 30 minutes and then inspect all plumbing and seals for leaks.



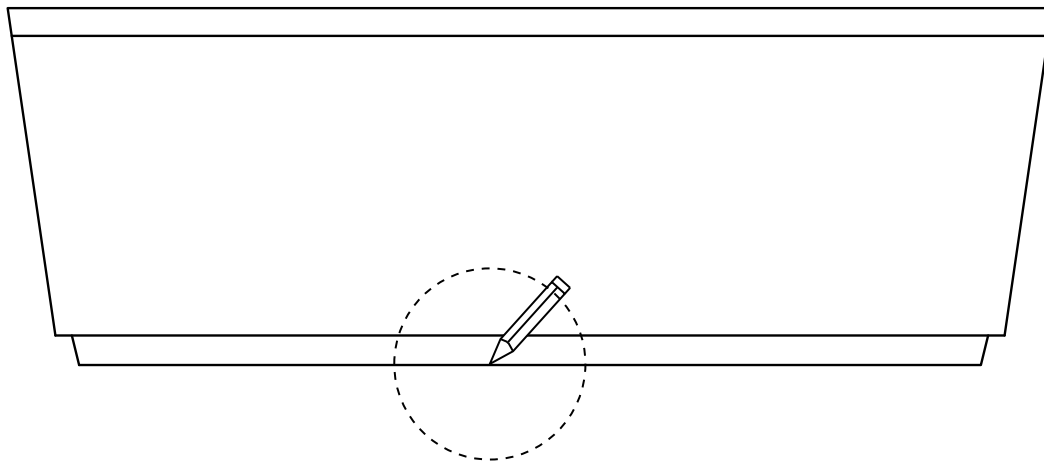
CRITICAL: MAKE SURE THE TUB IS PERFECTLY LEVEL TO PREVENT LEAKAGE. USE THE ADJUSTABLE LEVELING FEET TO ENSURE A LEVEL TUB. ALL LEVELING FEET MUST MAKE CONTACT WITH THE FLOOR / SURFACE. WHEN A TUB LEAKS, IT'S ALMOST ALWAYS BECAUSE IT'S NOT PROPERLY LEVEL.



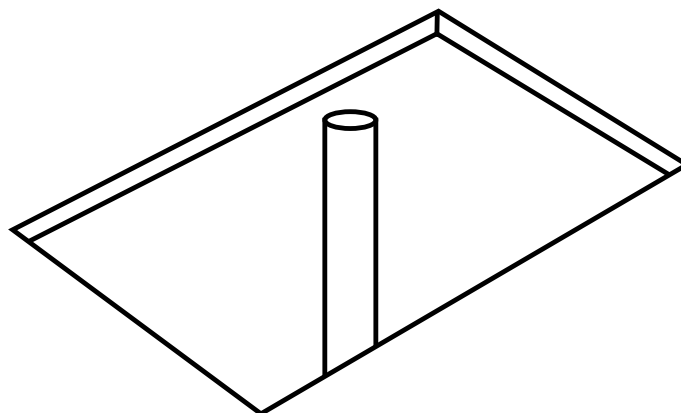
SETTING UP FOR INSTALLATION

CLEAN, LEVEL AND PREPARE THE FLOOR FOR INSTALLATION.

PLACE THE UNIT IN THE EXACT INSTALLED POSITION ON THE FLOOR AND TRACE THE OUTLINE OF THE BATH WITH A PENCIL OR ANY ERASABLE MARKING.



DETERMINE THE LOCATION OF THE DRAIN PIPE, ON THE FLOOR BY TAKING MEASUREMENTS OF THE DRAIN LOCATION UNDERNEATH THE UNIT.

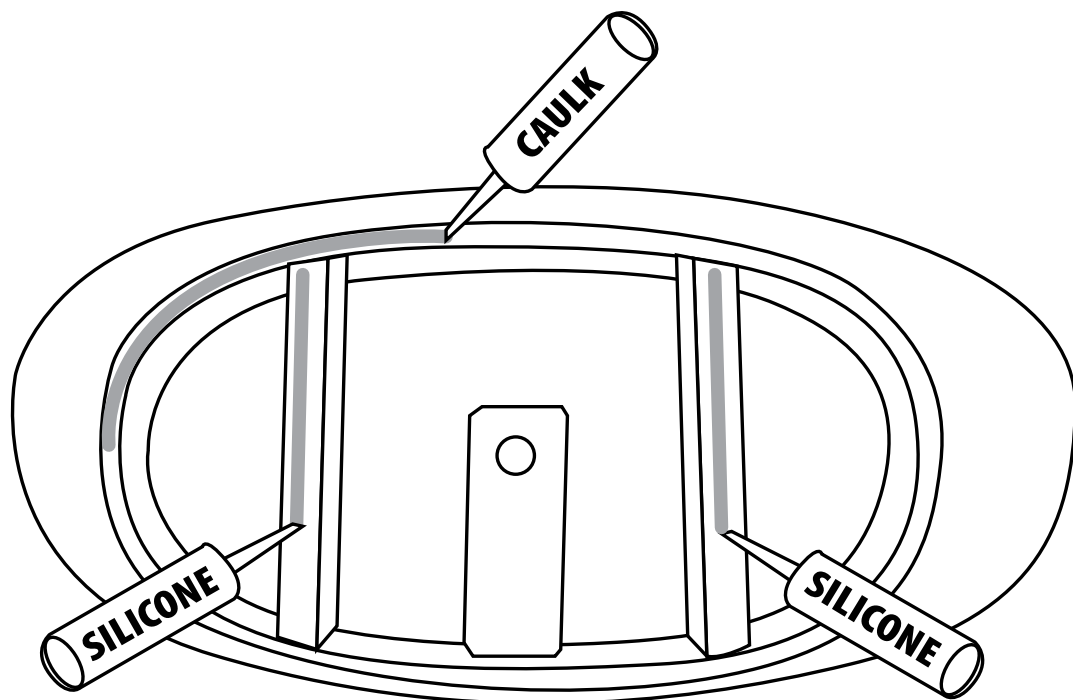




INSTALLING THE BATHTUB

MOVE THE BATHTUB TO THE SELECTED INSTALLATION POSITION, (MAKE SURE THAT THE FLOOR SURFACE CAN SUPPORT THE LOAD CAPACITY) MAKING SURE IT'S IN THE DESIRED ORIENTATION. ADD ADHESIVE OR SILICONE AROUND THE BASE AND SUPPORT OF THE TUB.

CAREFULLY SET THE TUB INTO POSITION AND CONNECT THE DRAIN HARDWARE. THE DRAIN SHOULD SLIP INTO THE DRAINAGE PIPE. THEN USE A LEVEL TO ENSURE THE TUB SURFACE IS LEVEL. IF NOT, LIFT ONE END OF THE BATHTUB, AND LOOSEN THE ADJUSTING NUT ON THE TUB FOOT AS SHOWN IN THE FIGURE. AFTER ADJUSTING THE LEVELING FOOT TO A SUITABLE POSITION, THEN TIGHTEN SECURING NUT.





SEAL TUB

ADD A BEAD OF SILICONE AROUND THE BASE OF THE BATHTUB WIPING AWAY ANY EXCESS WITH A WET CLOTH. PLEASE ALLOW 24 HOURS TO PASS BEFORE USE TO ENSURE THE SILICONE HAS SET.

FILL THE BATHTUB

AFTER WAITING 24 HOURS FOR THE SEALANT TO CURE YOU'RE FINALLY READY TO FILL UP THE TUB AND ENJOY!

