

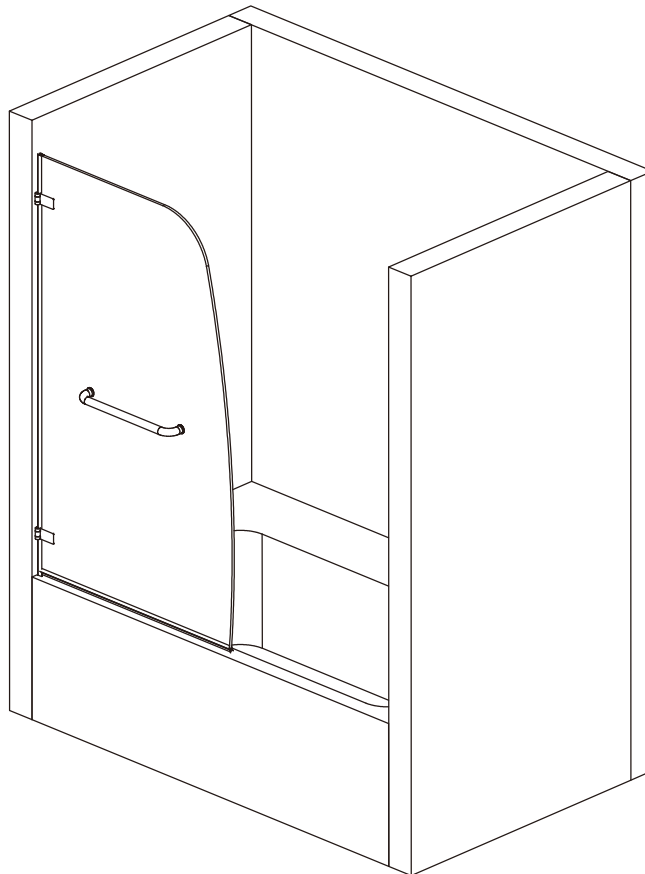
ANZZI®

ITEM: SD-AZ10-01(SD-AZ8074-01)

ANZZI GLASS SHOWER DOOR

INSTALL & OPERATION MANUAL

V1.1



DON'T WAIT! REGISTER NOW!

Register your product within 90 days to ensure your product is recognized as an official purchase and is eligible for warranty coverage.

Mail in the completed registry card (Pg. 2) or register online at www.swcorp.com/register.



PRODUCT REGISTRATION*

IMPORTANT: YOUR WARRANTY WILL NOT BE RECOGNIZED UNLESS THIS CARD IS FULLY COMPLETED AND RETURNED OR ONLINE REGISTRATION IS COMPLETED.

To ensure that your warranty is registered and confirmed please do one of the following:

- 1. Register online at www.swcorp.com/register.** You will be asked to fill out the same information you would in the registration card. Registering online is fast, secure and ensures we receive your information.
- 2. Complete, cut-out and mail the registration card below.** By returning this registration card we confirm the date of purchase for your new product. This confirmation will allow us to process any warranty claims.

Mail the card to: 5701 NW 35 Avenue, Miami, FL 33142



CUT ALONG
DOTTED LINE.

Product Registration Card

Name Address

City State Zip

Phone Email.....

Date of Purchase.....

Installer's Name Phone

I have read the Owner's Manual carefully and understand and agree that any installation, operation or maintenance of the product must be done strictly in accordance with instructions and guidelines contained in the owner's manual and installation guide.

Signature _____ Date _____

GETTING STARTED

Notice: This assembly requires two people due to the weight of the glass doors. Professional installers are highly recommended.

1. Carefully inspect all boxes and packages to make sure no damage occurred during shipping. If you find a unit has been damaged, is missing parts, or has finishing defects, contact our customer support department within 3 business days of the delivery date. Once all boxes and packages are inspected and opened, thoroughly read through this instruction manual. Take time to view the “Detailed Diagram of Tub Door Components” page and mark each piece as you ensure all necessary parts required for assembly are included in the package.

2. For installation in a newly constructed area, be sure to install all required drainage and plumbing before shower installation. Check local code requirements for plumbing installation as some areas require installation by a licensed and experienced plumber.

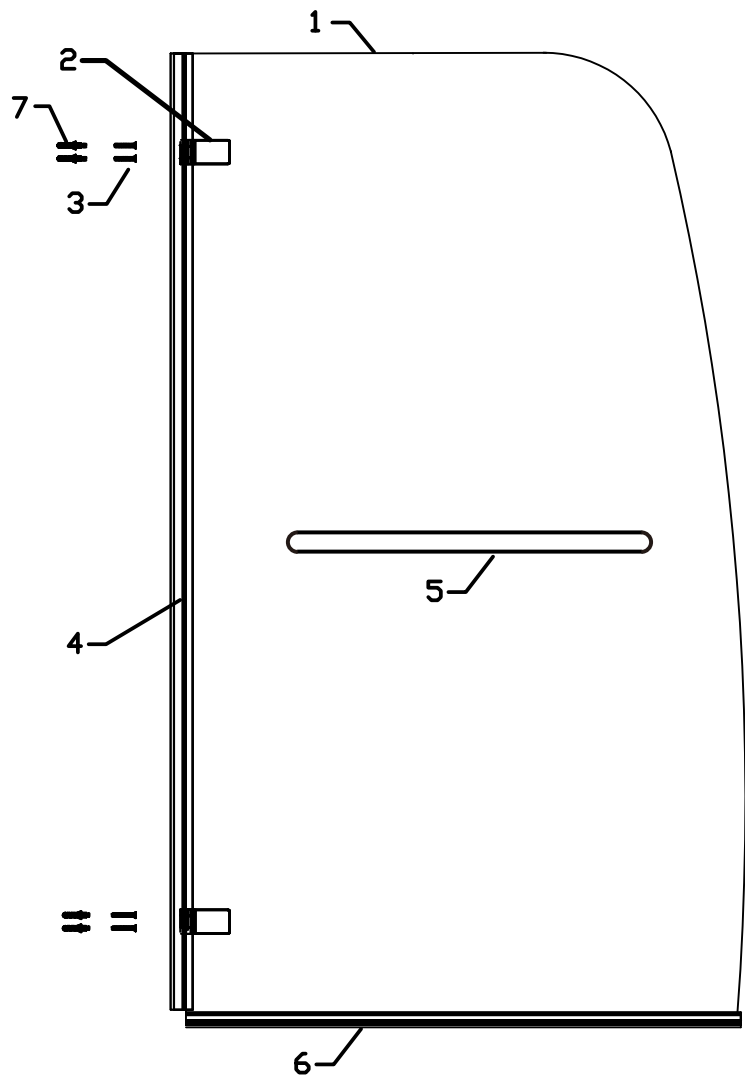
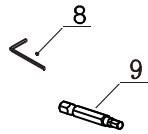
3. Note: Keep in mind that we are not responsible for code compliance standards for your project. Plumbing and building codes differ from one location to another, so it is crucial to review your local building codes before installation to help answer any questions you have about installation compliance standards.

4. Make sure the installation surface area is level, solid, and can support the entire weight of the unit and the walls are at right angles before beginning installation. Major problems may occur if the surface area isn't level and side wall angles are abnormal. It is recommended that all primary surfaces of the unit be protected during installation. Leveling adjustments and drilling may be necessary depending on the unit being installed.

ATTENTION: Use caution when unpacking and inspecting your unit. For easy part identification, refer to the detailed diagram in your manual and lay out each piece accordingly. Do NOT discard cartons and hardware bags until you have thoroughly checked for all parts. Contact us regarding any missing or damaged parts.

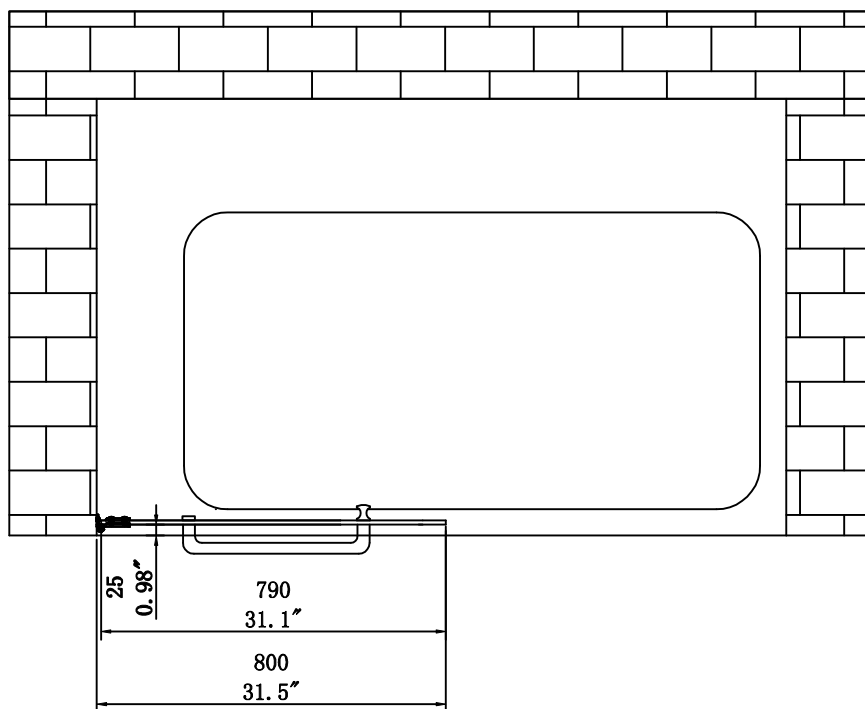
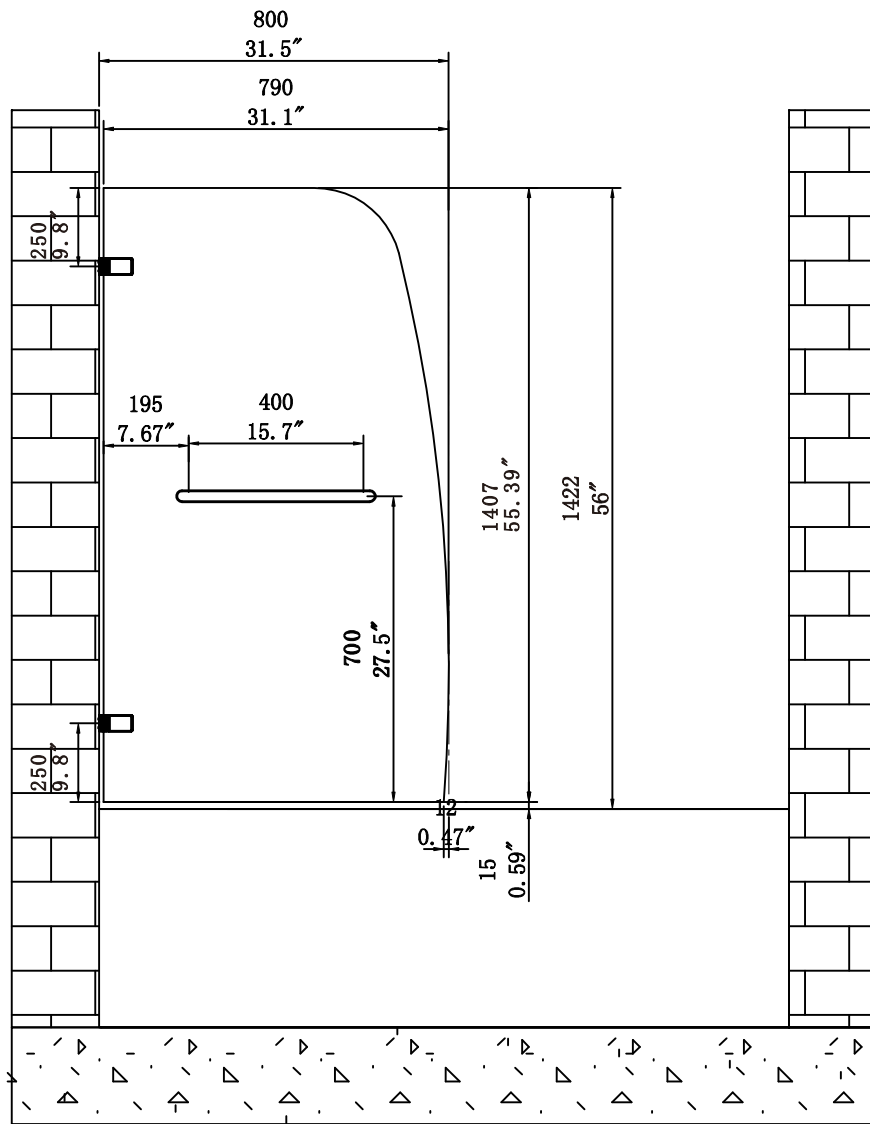
PARTS LIST

1. (1x) Glass door
2. (2x) Hinge
3. (4x) Screw ST5x40
4. (1x) Side water proof strip
5. (1x) Handle
6. (1x) Bottom water proof strip
7. (4x) Wall anchor ST5x40
8. (1x) Allen keys 4 mm
9. (1x) Hexagonal wind bit 4mm



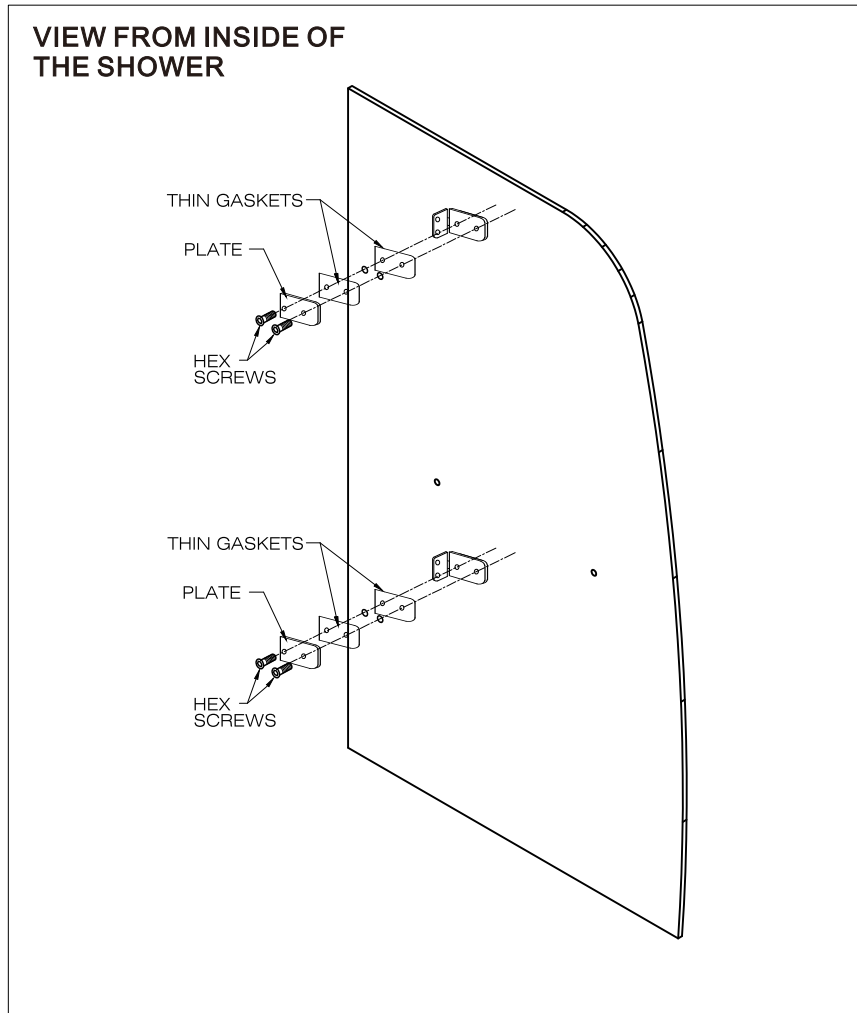
TOOLS YOU'LL NEED

- Tape Measure
- Pencil
- Phillips Screwdriver Drill Bits D=5/16" Level,
- Caulking Gun
- Electric Drill
- Hammer



TUB DOOR

1. Screw out the two assembled hinges(02) and install them through the predrilled holes of two positions in the Glass door(01).



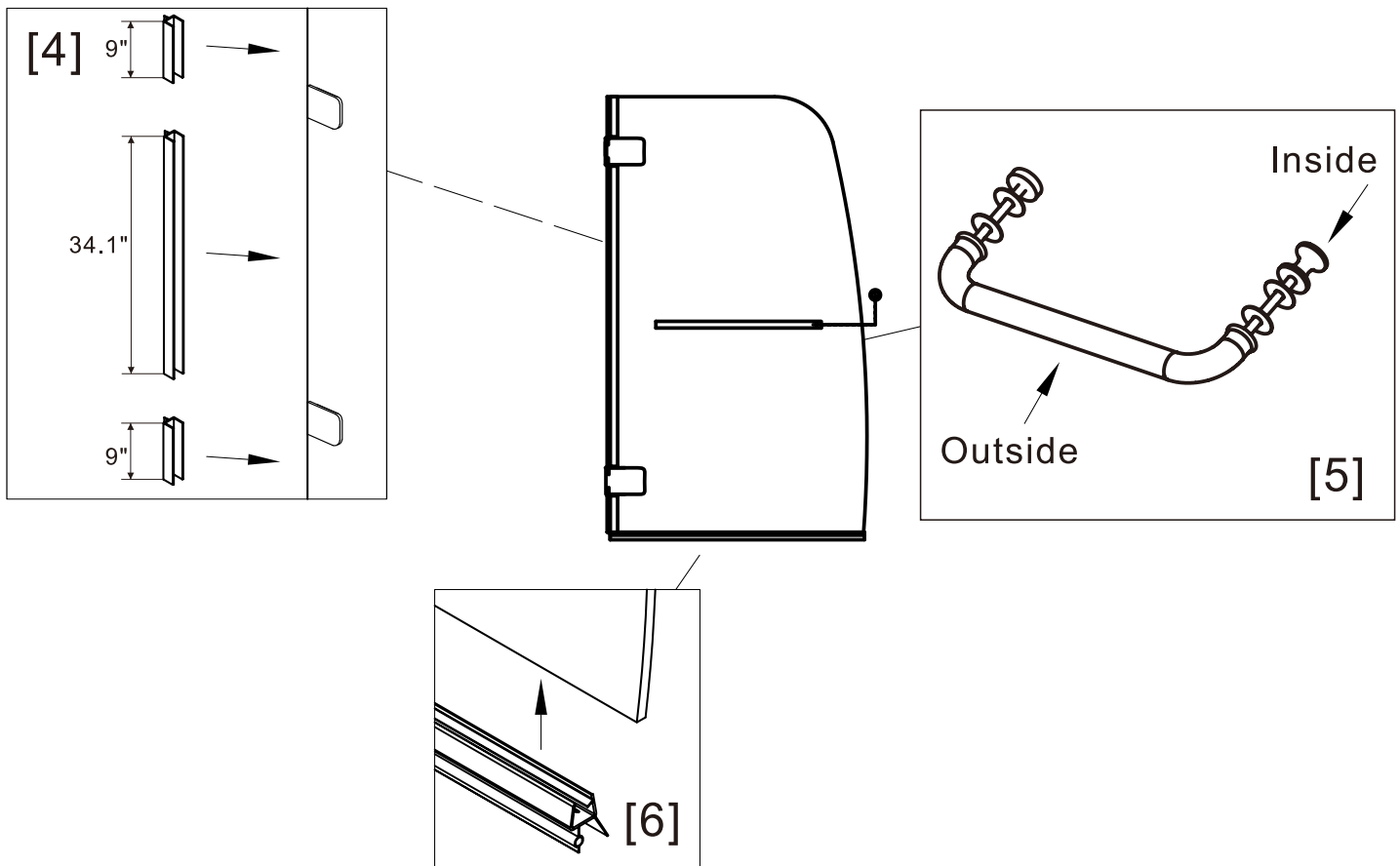
2. Put a timber with 5/8" thickness on the bathtub, put the Glass door with two installed hinges on this timber. Make sure the hinge side of the door to the wall is in the fully level position by using leveler tool. Mark the holes on the wall that will be drilled to install hinges.

NOTE: The door should be leveled vertically.

3. Move the Glass Door (01) to the safe place. Use a 5/16" drill bit to drill the holes that marked in the step2, insert the Wall Anchors(07).
4. Put the Glass Door (01) again to the wall. Use the Flat Head Screw ST5x40(03) to secure the two Hinges (02) to the wall.

STRIPS / HANDLE

5. Put away the flat timber and open the door . Cut the Side Anti-Water Strip (04) into 3 piece correctly for Glass Door (01) vertical edge of the hinge side, and install them accordingly. Put the Bottom Anti-Water Strip (06) on the Glass Door bottom edge. Install the Handle (05) on the door by screwing the holes predrilled in the glass. The lever faces the outside, the knob faces inside of the shower.



MAINTENANCE

1. Guarantee a longer life of the hardware finish by wiping off the metal parts with a soft cloth after each use.
2. Avoid using abrasive cleaners and products especially those that contain bleach, acid, or ammonia.
3. In the case that these chemicals are used, thoroughly rinse the surface as soon as possible and wipe dry with a soft cloth. Stainless-steel surfaces should be cleaned once a week or as needed.

Note: When applying a stainless-steel polish or cleaner, work with the grain and not against it. Avoid the use of abrasive tools such as wired brushes, abrasive cloths or sponges, or steel wool.

Tempered Glass: Nonabrasive bathroom cleaners and your usual glass cleaner may be used to clean tempered glass. Be sure to thoroughly rinse off any cleaner. Do NOT strike the glass with any hard or sharp object as it could cause immediate damage or cause the glass to eventually break.