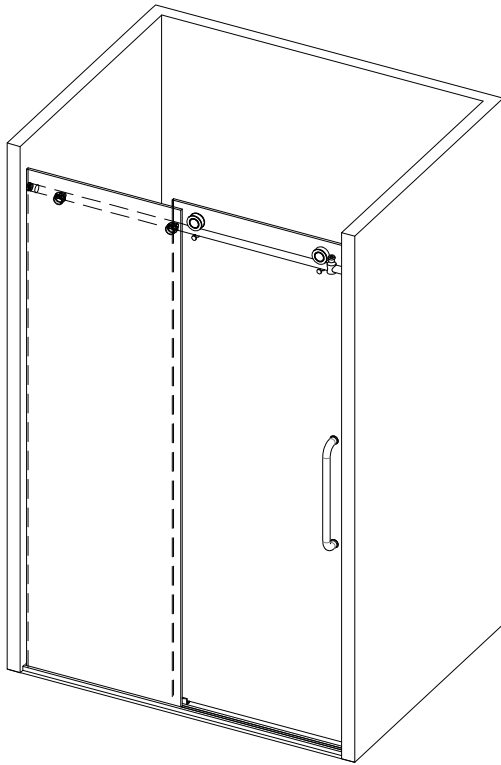




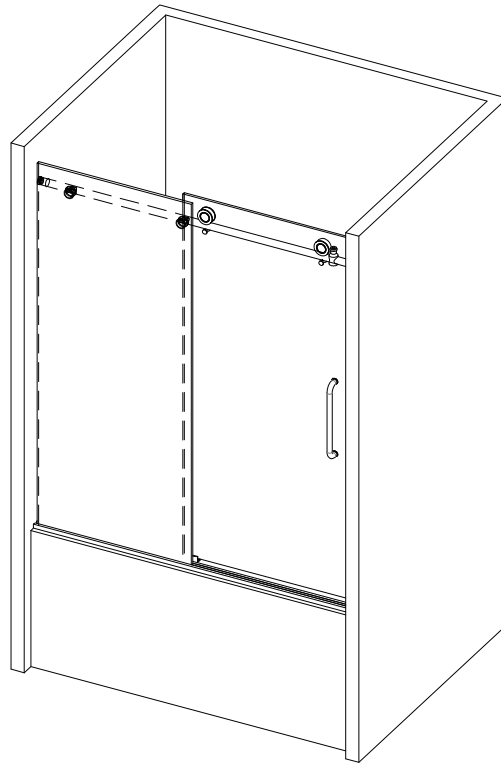
ANZZI®

ITEM: SD-AZ13-01**(SD-AZ8077-01**)
SD-AZ13-02**(SD-AZ8077-02**)
SD-AZ17-01**(SD-AZ8080-01**)
ANZZI GLASS SHOWER DOOR
INSTALLATION & OPERATION MANUAL

V3.1
05/02/2023



SD-AZ13-01**
SD-AZ13-02**



SD-AZ17-01**

DON'T WAIT! REGISTER NOW!

Register your product within 90 days to ensure your product is recognized as an official purchase and is eligible for warranty coverage.

Mail in the completed registry card (Pg. 2) or register online at www.swcorp.com/register.



PRODUCT REGISTRATION*

IMPORTANT: YOUR WARRANTY WILL NOT BE RECOGNIZED UNLESS THIS CARD IS FULLY COMPLETED AND RETURNED OR ONLINE REGISTRATION IS COMPLETED.

To ensure that your warranty is registered and confirmed please do one of the following:

1. Register online at www.swcorp.com/register. You will be asked to fill out the same information you would in the registration card. Registering online is fast, secure and ensures we receive your information.
2. Complete, cut out and mail the registration card below. By returning this registration card we confirm the date of purchase for your new product. This confirmation will allow us to process any warranty claims.

Mail the card to: 5701 NW 35 Avenue, Miami, FL 33142



Product Registration Card

Name..... Address

City..... State..... Zip.....

Phone Email.....

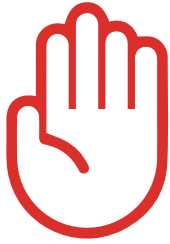
Date of Purchase Order or Purchase # SKU or Model #

Installer's Name Phone

I have read the Owner's Manual carefully and understand and agree that any installation, operation or maintenance of the product must be done strictly in accordance with instructions and guidelines contained in the owner's manual and installation guide.

Signature..... Date.....

Need help? For technical support call 305-614-4070 or visit us at www.ANZZI.com



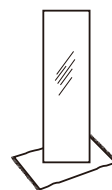
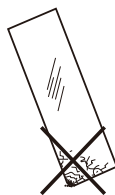
STOP!

READ BEFORE YOU PROCEED!
TO KEEP GLASS FROM BREAKING, MAKE SURE:

- 1. This product is heavy and requires two people to install.**
- 2. Glass corner protectors remain on during installation.**
- 3. Glass protective seals are mounted to the door before opening/closing.**
- 4. Glass panels are aligned & level with wall/floor.**
- 5. Stoppers must be installed correctly. Prevents door from striking wall.**
- 6. Slider must be installed correctly for smooth sliding.**

 **WARNING**

PROTECTIVE EQUIPMENT MUST BE WORN WHEN HANDLING GLASS



INSTALLATION GUIDE

BEFORE YOU BEGIN

- Please check the product for damage and missing parts immediately upon delivery. Damage reported later will not be covered by our warranty. Please handle the product with care. Avoid any impact to the sides and edges of the glass.
- Consult your local building codes before installation.
- To reduce the risk of breakage, keep corner protectors on glass while installing.
- If this unit is being installed in new construction, please install all required plumbing and drainage before installing the shower. Use a licensed plumber/contractor (if required by local code) for all plumbing installations.
- Before beginning installation, make sure all surfaces are level, solid and will support the total weight of the unit. Also, make sure the walls are at right angles. Irregular installation surface level, radius corners, or improper angle of side walls will result in serious problems for your installation. Please note that some adjustments and drilling might be necessary during the installation process.
- Please protect all primary surfaces of the product during installation. Never set your glass down directly onto a tile floor. Leave corner protectors in place until necessary to remove them. Always use wood or cardboard to protect the bottom edge and corners of the glass before and during installation.



WARNING

- This unit must be installed upon a finished threshold and against finished walls.
- Take care to avoid hidden pipes or electrical cables when drilling holes in walls.
- This product is heavy and requires two people to install it.
- When cutting or drilling metal components or handling glass, wear protective eye wear, gloves, and closed-toe shoes to reduce the risk of personal injury.
- Failure to follow instructions when installing this product may result in personal injury, property damage, or product failure and may void the warranty.

INSTALLATION GUIDE

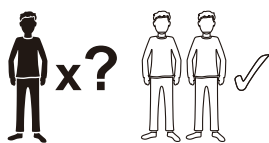
BEFORE YOU BEGIN



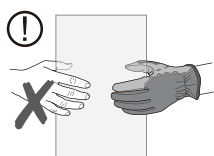
ATTENTION

- Surface of the threshold or tub deck must be level for proper installation.
- This model requires a minimum 3.15" (80 mm) flat level threshold or tub deck space for installation.

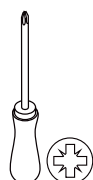
Tools Required



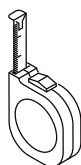
- This product is heavy and requires two people to install.



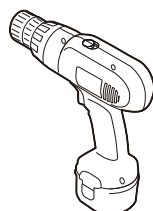
- Use cut-resistant, non-slip gloves to reduce the risk of personal injury and to hold the glass firmly.



Phillips
Screwdriver



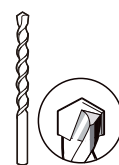
Tape
Measure



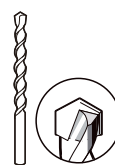
Drill



1/8"
(3mm)
Drill Bit



5/16"
(8mm)
Drill Bit



3/8"
(9.5mm)
Drill Bit



100%
Silicone
Sealant



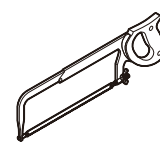
Pencil



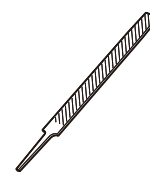
Rubber
Mallet



Safety
Glasses



Hack
Saw



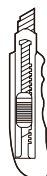
Metal File



Tin Snips



Stud Finder



Knife



Level



This product is heavy and requires two people to install.

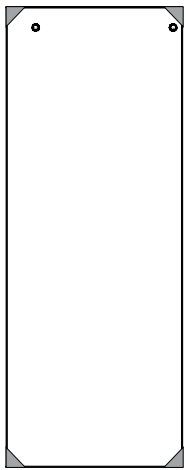




WARNING

To prevent damage to glass and potential injury, make sure to follow the instructions on page 1.

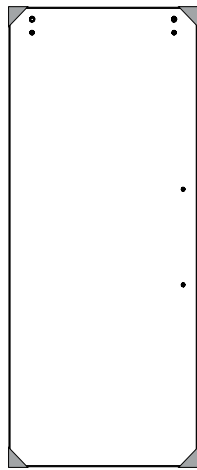
PARTS



[02]x1



[03]x1



[05]x1



[06]x1



[13]x2



[14]x1



[15]x1



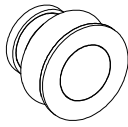
[17]x2



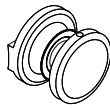
[21]x1



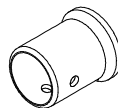
[01]x2



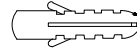
[04]x2



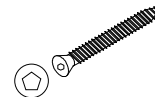
[07]x2



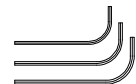
[08]x2



[09]x2



[10]x2
ST5x40



[11]x2



[12]x1



[16]x5
ST4x20



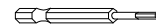
[18]x5



[19]x2



[20]x1



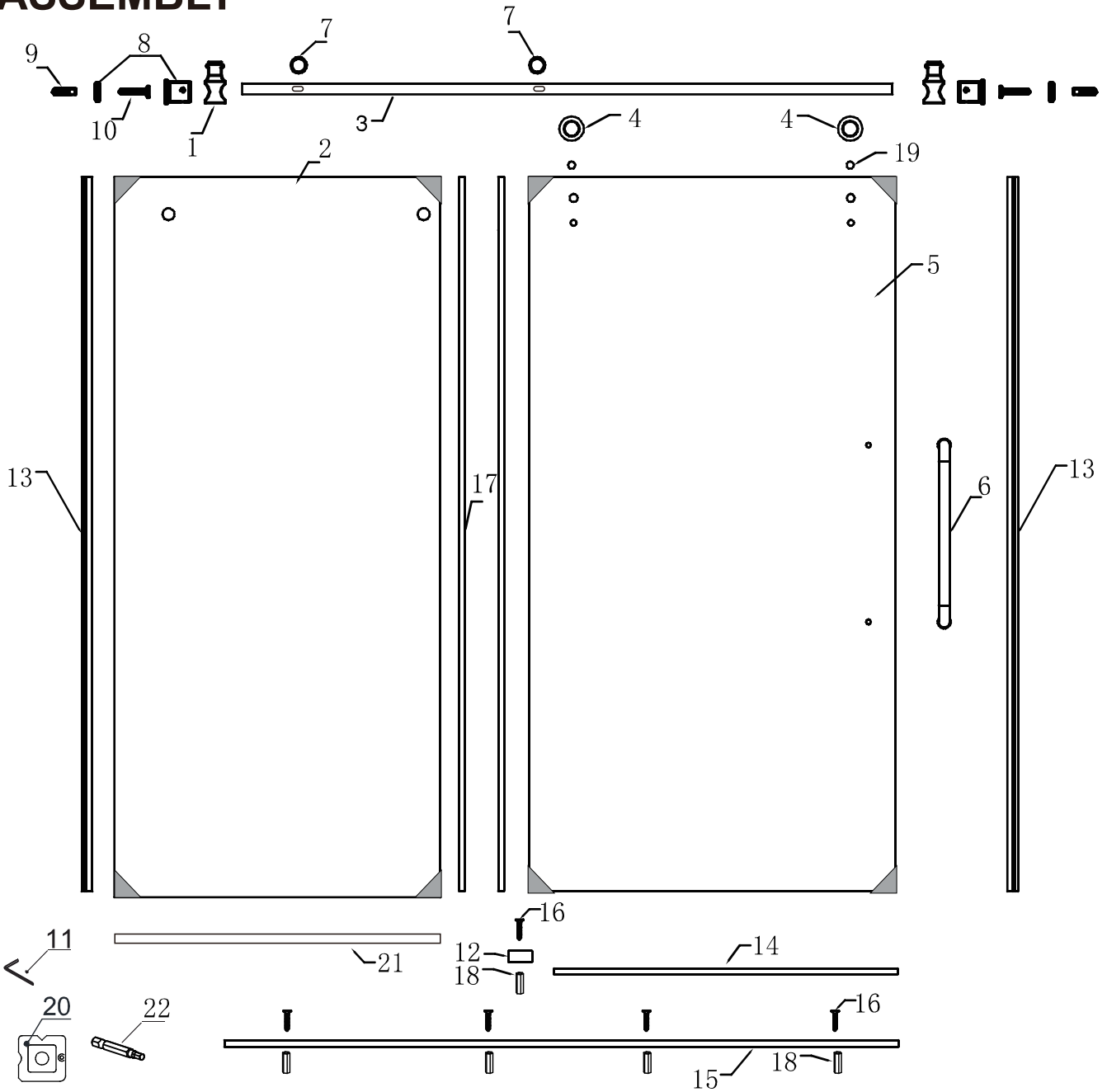
[22]x1



WARNING

To prevent damage to glass and potential injury, make sure to follow the instructions on page 1.

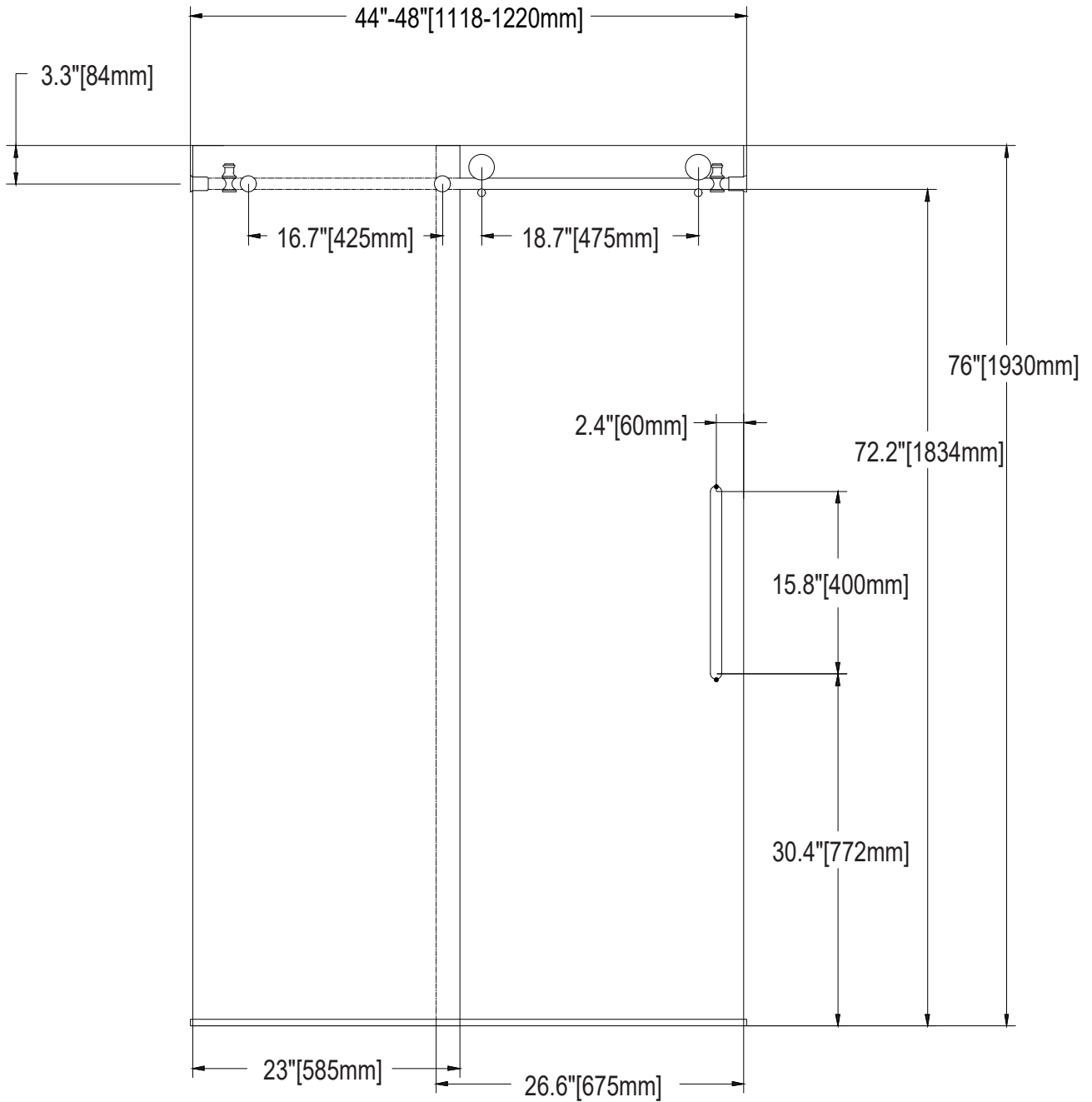
ASSEMBLY



Part	Description	Qty.	Part	Description	Qty.
[01]	Limit Stop	2	[12]	Guide Block	1
[02]	Fixed Panel	1	[13]	Water Sealing Strip	2
[03]	Support Bar	1	[14]	Rail Cover	1
[04]	Roller	2	[15]	Bottom Rail	1
[05]	Door	1	[16]	Screw ST4X20	5
[06]	Handle Set	1	[17]	Water Sealing Strip	2
[07]	Fixed Block	2	[18]	Small Anchor 6X28	5
[08]	Wall Bracket	2	[19]	Roller Guard	2
[09]	White Plastic Anchor 8X36	2	[20]	Silicone Cleaner	1
[10]	Screw ST5x40	2	[21]	Glass Bottom Protection Seal	1
[11]	Allen Keys	1	[22]	Screw Driver Bit	1

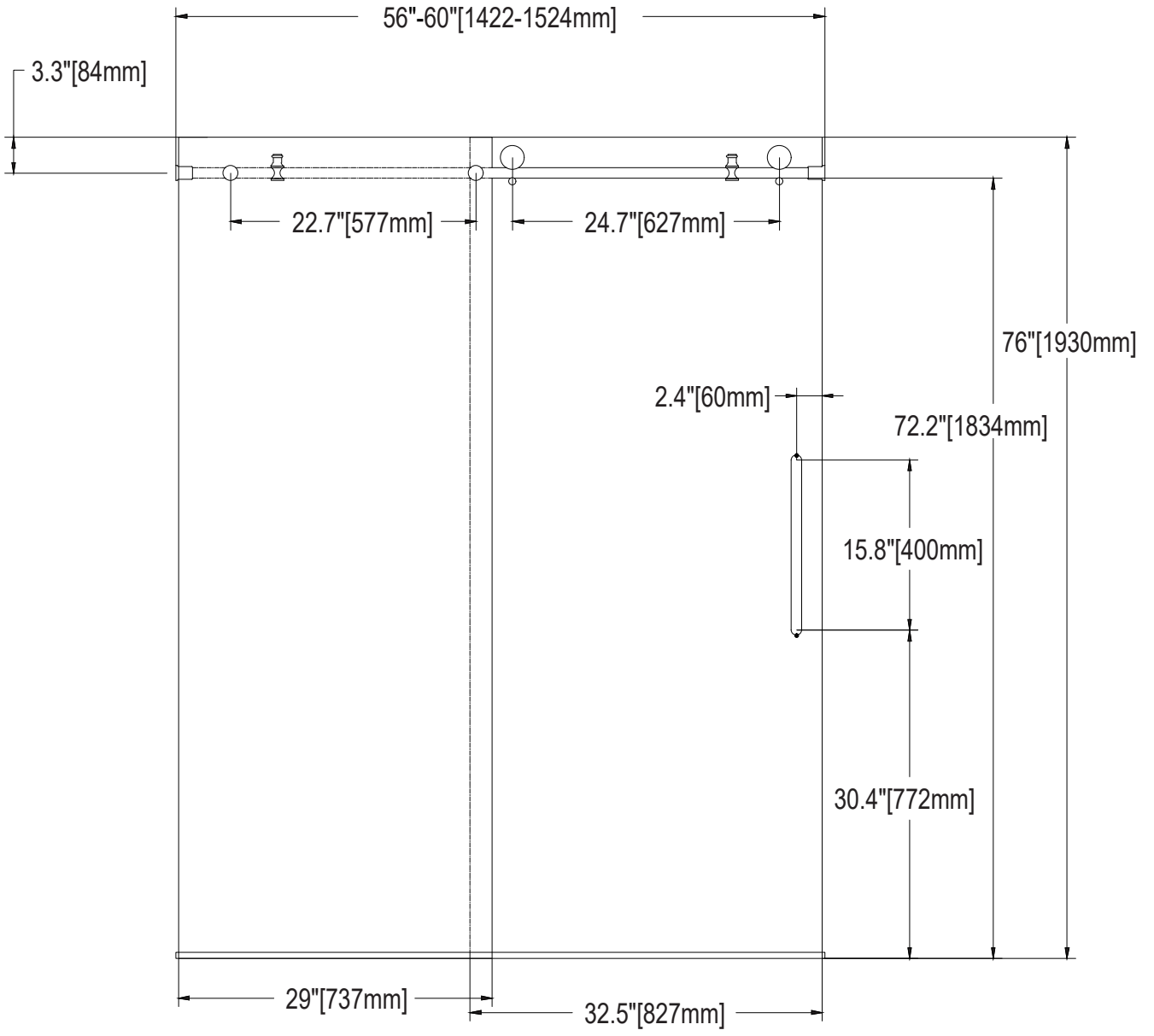
SD-AZ13-01**(SD-AZ8077-01**)

48"x76"



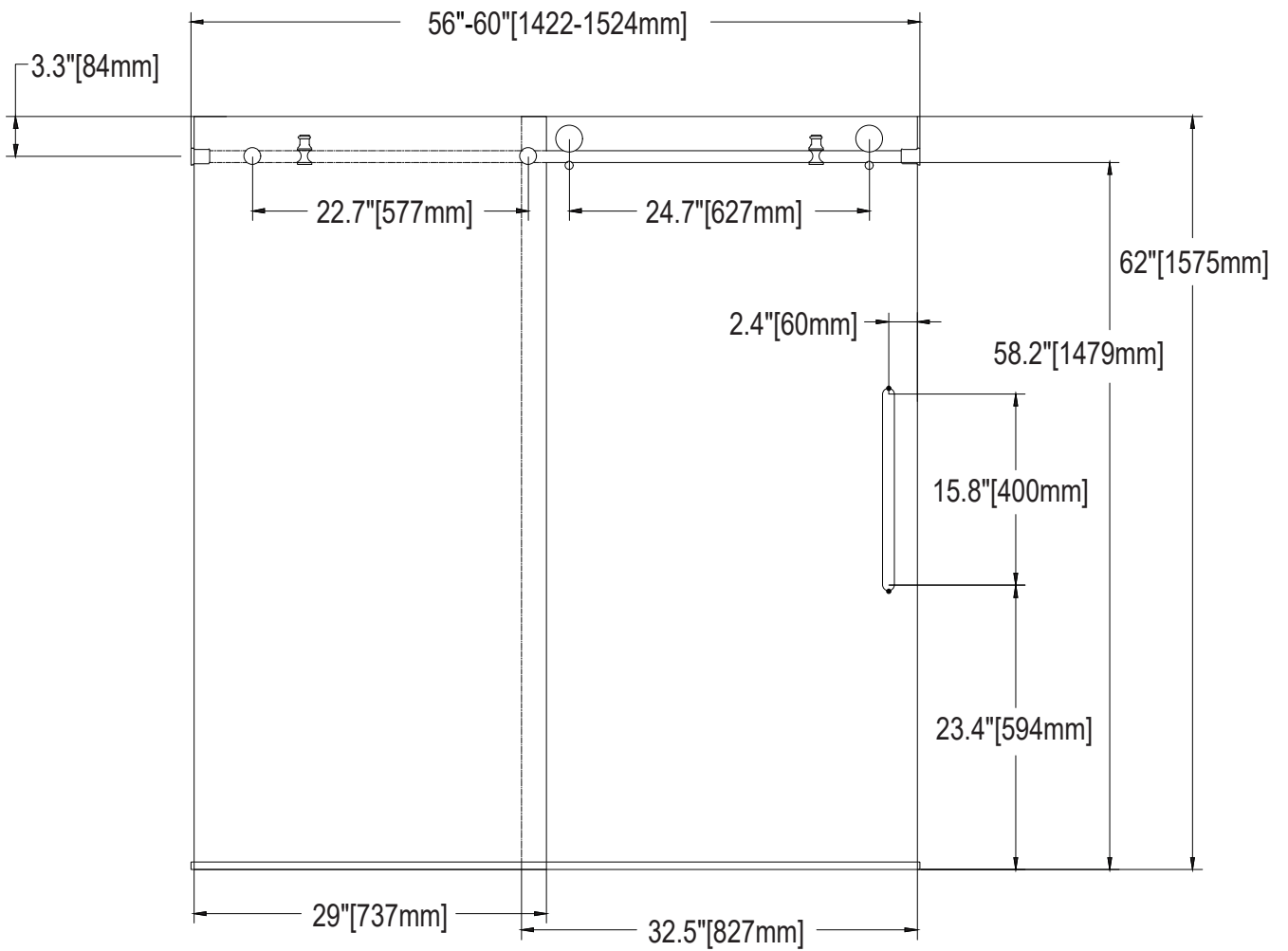
SD-AZ13-02**(SD-AZ8077-02**)

60"x76"



SD-AZ17-01**(SD-AZ8080-01**)

60"x62"





ATTENTION

- To avoid personal injury or property damage, identify components and read all instructions before installing.
- This model requires a minimum 3.15" (80mm) of flat level threshold or tub deck space for installation. (Dimension "D" of Fig 1.)

INSTALLATION INSTRUCTIONS

Step 1

1. Measure the finished opening width at the bottom or tub surface ("W2") and at the top ("W1"). The height of top:

SD-AZ13-01/SD-AZ13-02: H = 72.7" [1847mm];

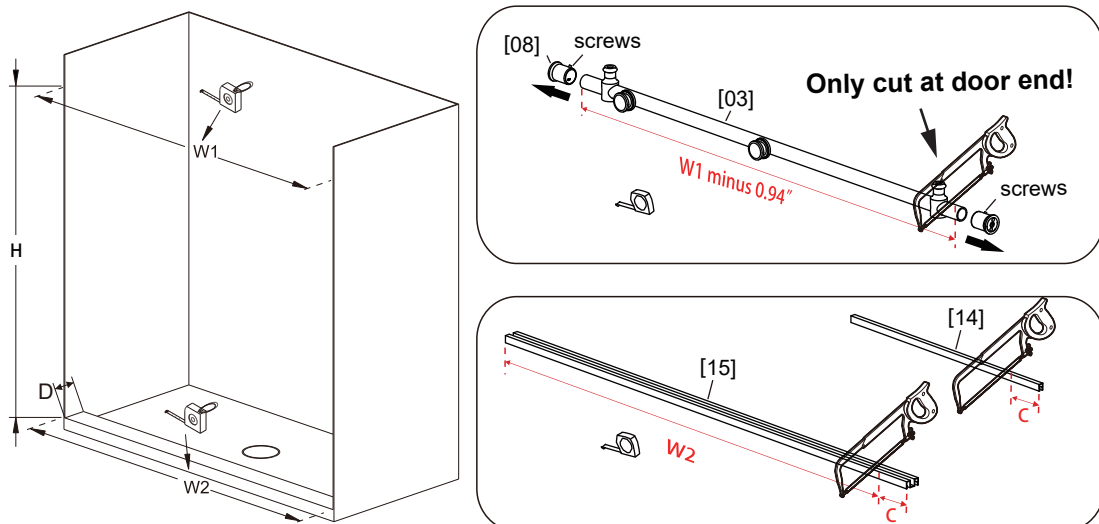
SD-AZ17-01: H = 58.7" [1491mm].

IMPORTANT: If the Support Bar [03], Bottom Rail [15] and the Rail Cover [14] match the width, there's no need to cut them. If they don't, please see Setp 2 for cutting instructions.

2. This manual shows right side installation. For left side installation, follow the instructions in page 22.
3. Remove the **Wall Brackets [08]**. Using a pencil or another marking tool (such as masking tape), mark distance **W1-0.94" (24mm)** on the Support Bar [03] (to leave some space for the **Wall Bracket**), **W2** on the **Bottom Rail [15]**, **C** on the **Rail Cover [14]**.

IMPORTANT: Double check the measurements before cutting. Cut the **Support Bar [03]** on the **Door [05]** end only. Cut the **Support Bar [03]**, **Bottom Rail [15]** and the **Rail Cover [14]** with a fine toothed (32 TPI) hack saw. If needed, use a metal file to smooth rough edges. Clean up metal shavings.

DO NOT stand on or use a vice to hold the **Support Bar [03]**, **Bottom Rail [15]** and the **Rail Cover [14]** while cutting.



Step 2

- This shower door must be mounted to a stud. Minimum threshold space is required.

IMPORTANT: Using a stud finder, ensure the wall intended to hold the door has a stud at the installation point. A stud in this location must be identified to support the support bar in order to proceed with the installation. If there is no stud in the shown area, we recommend employing a qualified contractor to install one. (Fig 2.1)

1. Using a **pencil** and **stud finder** to mark the **center line of stud**. Mark the **center line of stud** on one side as measurement "A" then mark the **center line of stud** with same measurement on the other side. Make sure the distance between **center line of stud** and the **inner surface of threshold** is bigger than **1.57" [40mm]** and the distance between **center line of stud** and the **outer surface of threshold** is bigger than **1.57" [40mm]**. (Fig 2.1)
2. Mark the position for **outer surface of Bottom Rail** with measurement **1.57" [40mm]** from the **center line of stud** on both side. (Fig 2.2)

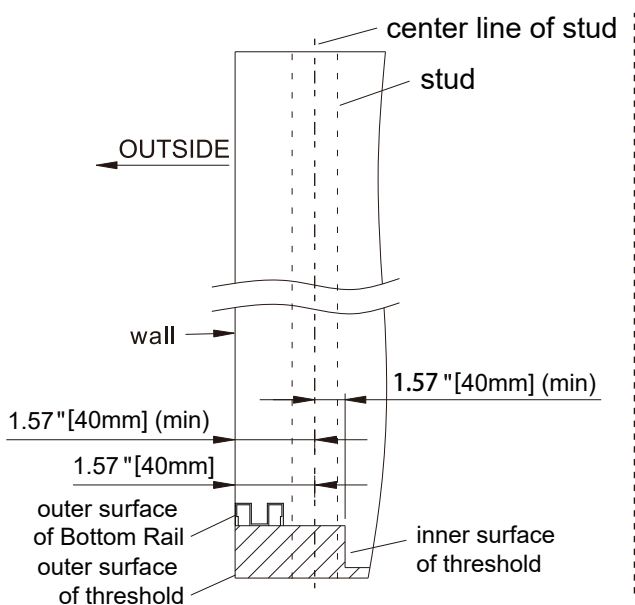


Fig 2.1

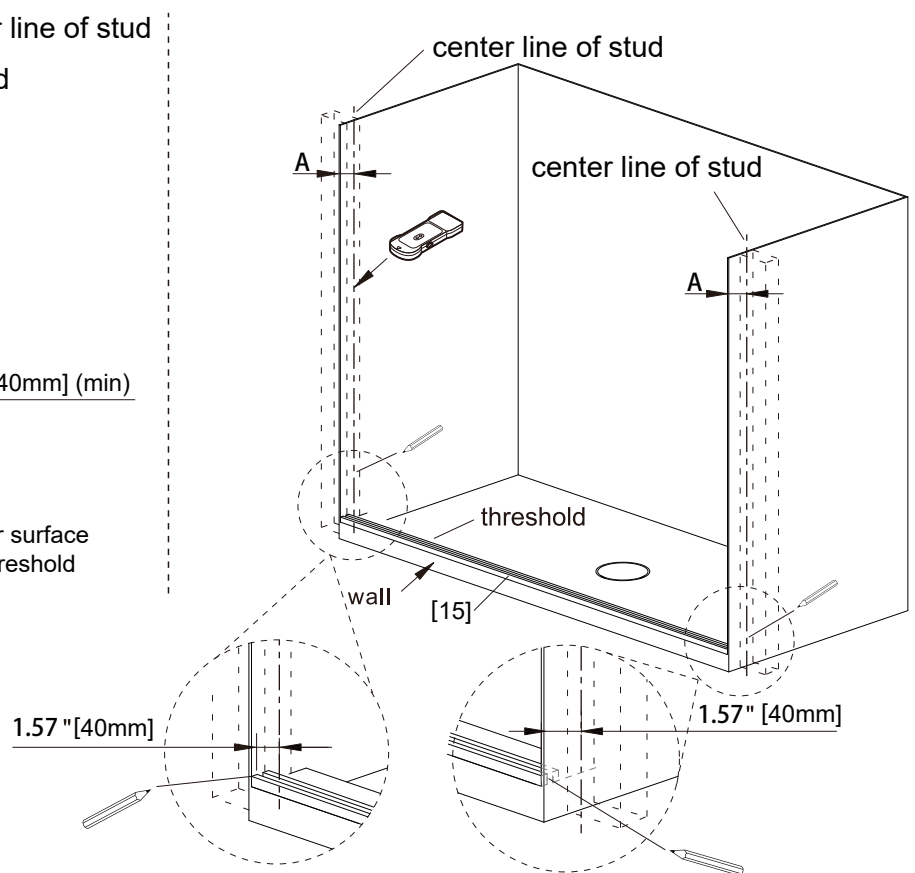


Fig 2.2

Step 3

1. Slightly place the **Bottom Rail [15]** to the marked threshold and mark the screw holes for drilling. (Fig 3.1)

NOTE: Make sure the groove pattern on the Bottom Rail [15] is facing upwards.

2. Remove the **Bottom Rail [15]** and drill a **1/8"** hole at each marked location if drilling into acrylic or wood material. Drill a **5/16"** hole if drilling into tile material and insert the **Anchors [18]**. (Fig 3.2, Fig 3.3)

3. Secure the **Bottom Rail [15]** with **Screw ST4X20 [16]**. (Fig 3.4)

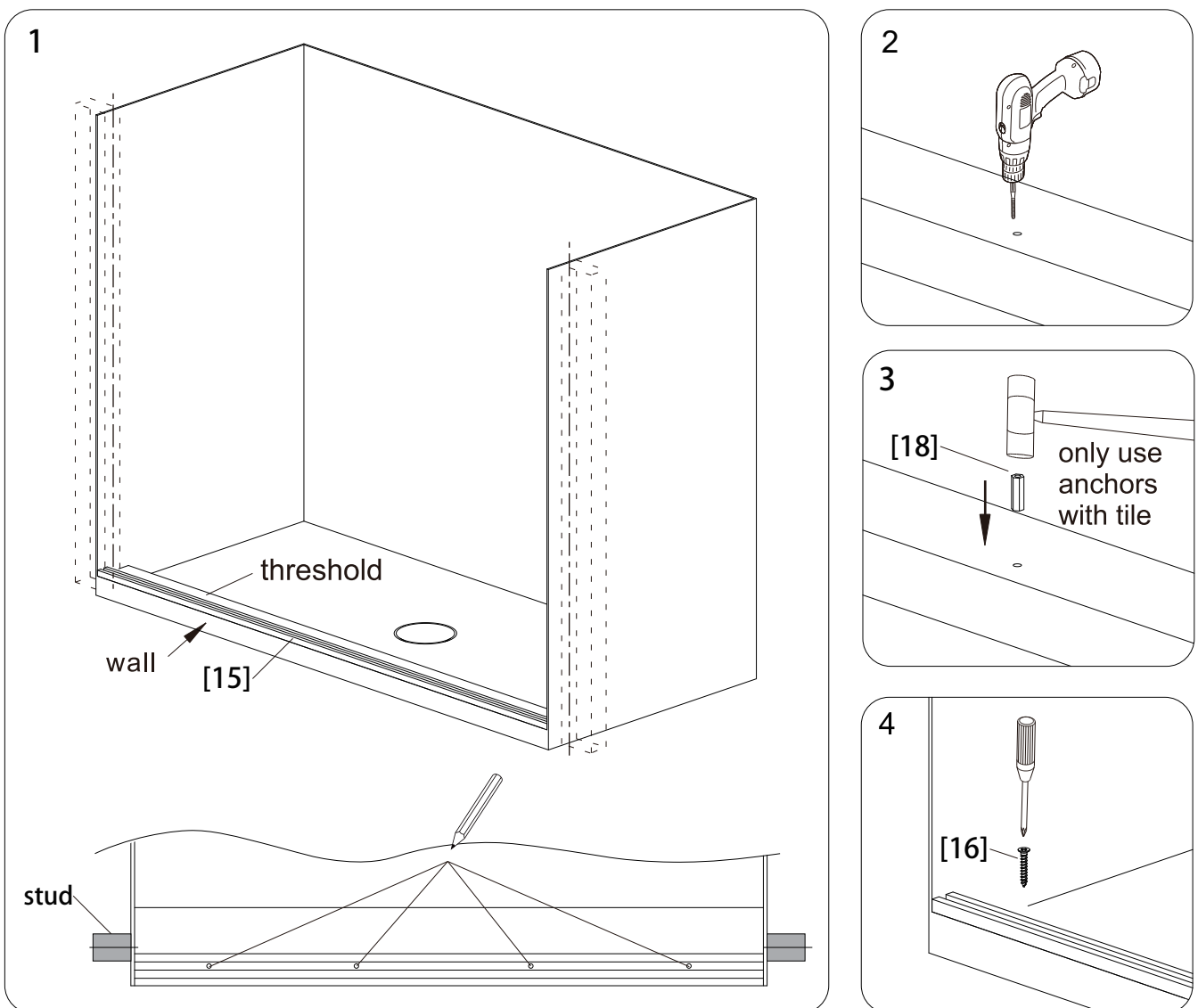


Fig 3



WARNING

To prevent damage to glass and potential injury, make sure to follow the instructions on page 1.

Step 4

1. Use a matched **Allen Key [11]** to stick into the side hole of **Fixed Blocks [07]** to remove it and the **Washers** from the **Support Bar [03]** and install the **Support Bar [03]** to the **Fixed Panel [02]** from behind. Slide the **Washers** onto the **Fixed Panel [02]** and secure with **Fixed Block [07]**. (Fig 4.1)

Note: Make sure the hole closest to the edge of the Fixed Panel [02] is far away from the wall. There are Gaskets between the Support Bar [03] and the Fixed Panel [02].

2. Remove the **Corner Protectors** except the one at the top right corner of **Fixed Panel [02]**. Install **Water Sealing Strip [13]** to the **Fixed Panel [02]**. Make sure the end of **Water Sealing Strip [13]** is **0.5"** from the bottom of **Fixed Panel [02]**. (Fig 4.1)
3. If the **Water Sealing Strip [13]** is longer than the **Fixed Panel [02]** after installation, cut it to correct length. (Fig 4.2)
4. Install the **Glass Bottom Protection Seal [21]** to the bottom of **Fixed Panel [02]**. (Fig 4.2)
Note: Failure to install the Glass Bottom Protection Seal [21] will void the warranty.
5. Install the **Wall Brackets [08]** back to the **Support Bar [03]**. Install the **Fixed Panel [02]** to the **Bottom Rail [15]**. (Fig 4.2)

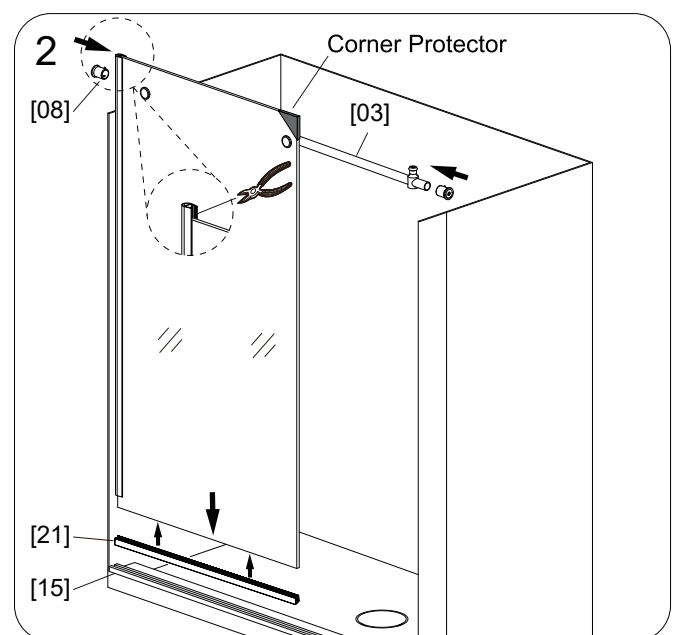
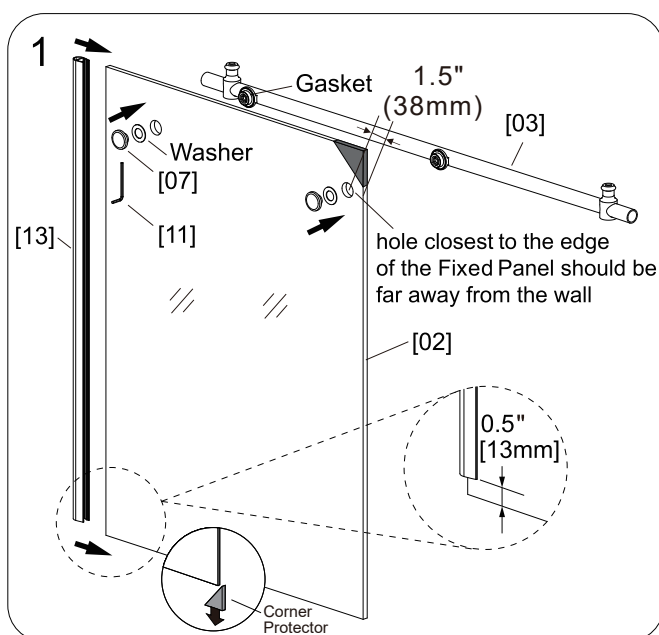


Fig 4

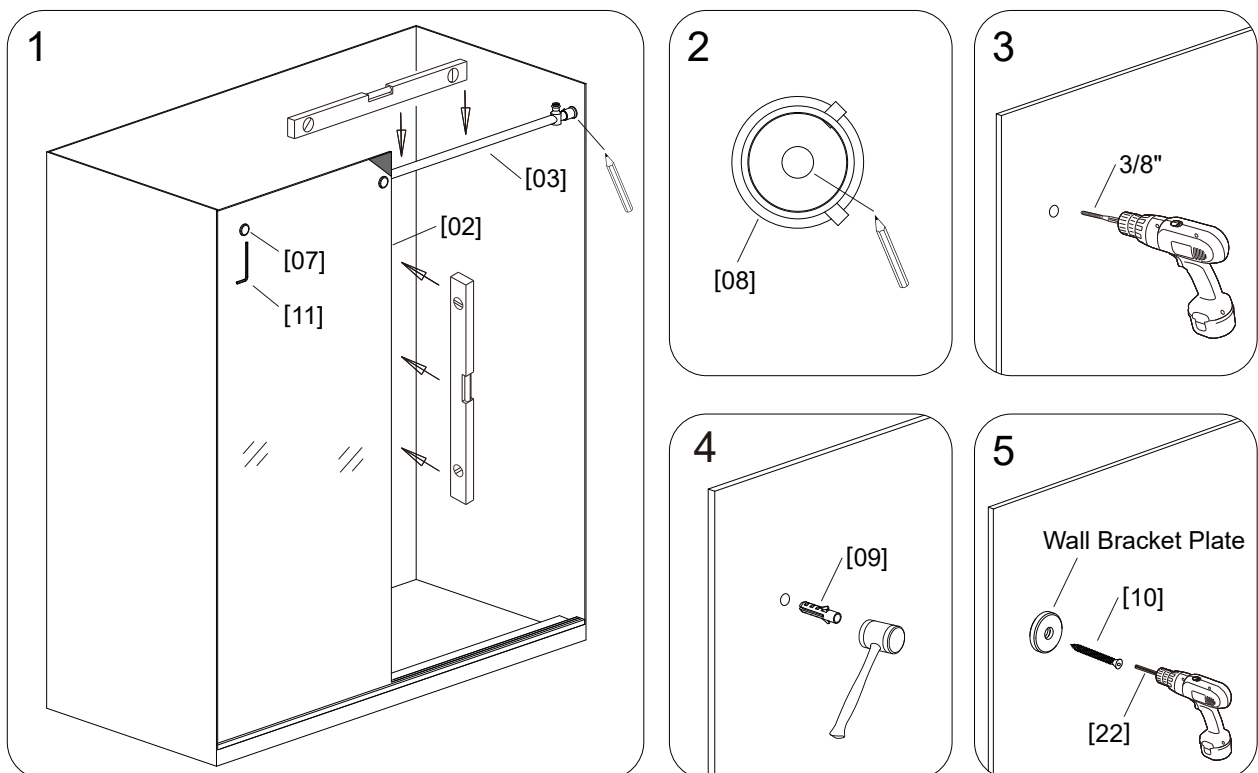


WARNING

To prevent damage to glass and potential injury, make sure to follow the instructions on page 1.

Step 5

1. Hold the **Fixed Panel [02]** still. Adjust the **Fixed Panel [02]** and **Support Bar [03]** to the vertically level and horizontally level. If necessary, loose the **Fixed Blocks [07]** for the adjustment. Tighten the **Fixed Blocks [07]** again after the adjustment. (Fig 5.1)
2. Slightly push the **Wall Brackets [08]** to the wall and mark the outline of it on the wall. Then, remove the **Fixed Panel [02]** and **Support Bar [03]**. (Fig 5.1)
NOTE: Make sure the Glass Bottom Protection Seal [21] still attaches at the bottom of Fixed Panel [02] and slightly place it with cloth or blanket between the panel and the floor.
3. Place the **Wall Brackets [08]** on the marked location and mark the center hole on the wall. (Fig 5.2)
4. Remove the **Wall Brackets [08]** and drill a **3/8"** hole at each location. (Fig 5.3)
5. Insert the **White Plastic Anchor [09]**. (Fig 5.4)
6. Attach and secure the **Wall Bracket Plate** using the **Screw 5X40 [10]**. The side with three holes face to the wall. (Fig 5.5)





WARNING

To prevent damage to glass and potential injury, make sure to follow the instructions on page 1.

Step 6

1. Remove **Screw, Eccentric Block, and Washer** from the **Roller [04]**. Install the **Roller [04]** to the **Door [05]** as the figure shows. Using one provided small **Allen Key [11]** to stick into the side hole of **Roller [04]** and press the **Stopper** of it. Slightly tighten the **Screw** by another matched **Allen Key [11]** to secure the **Roller [04]**. (Fig 6.1, Fig 6.2)

IMPORTANT: Make sure there is Washer between the Roller [04] and the Door [05].

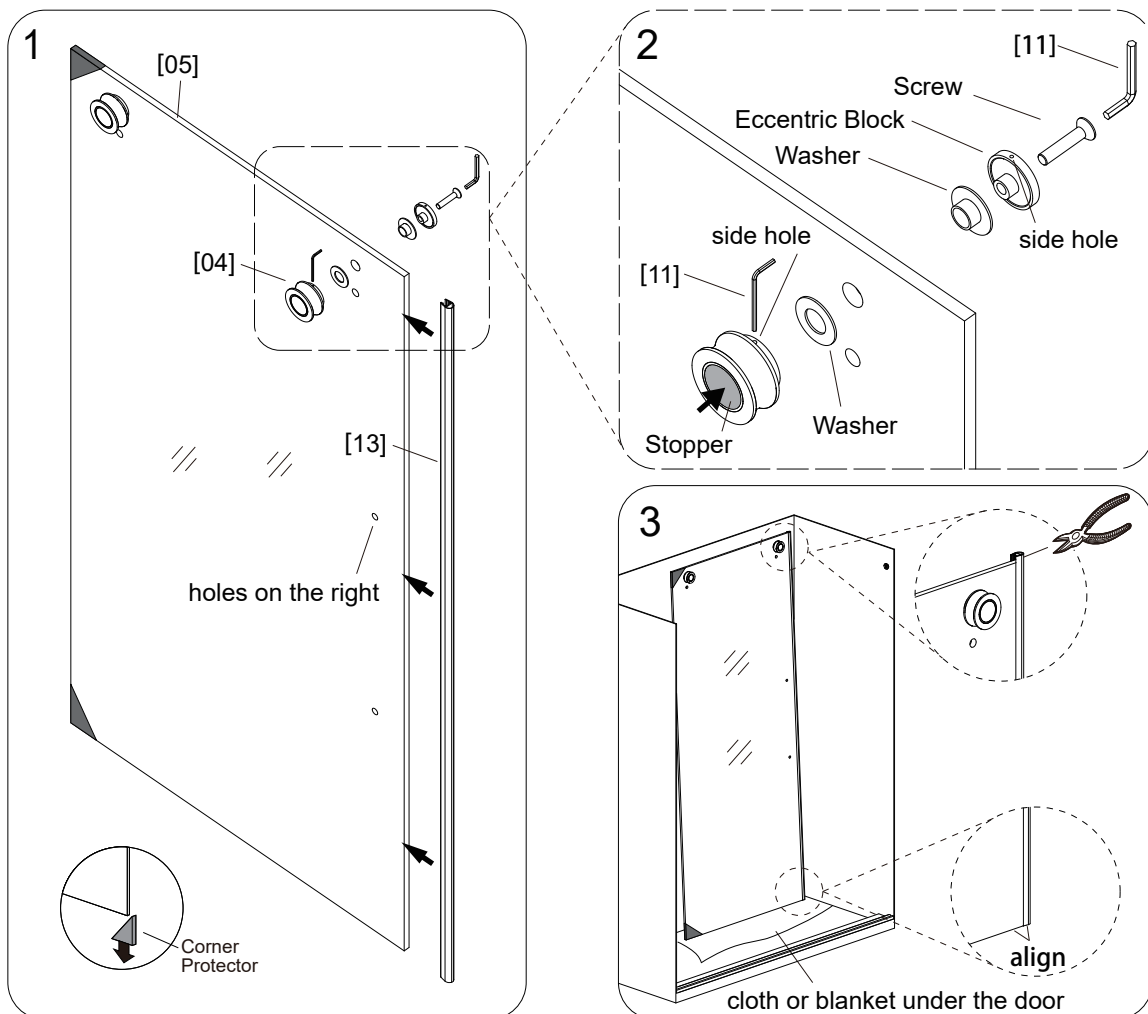
Holes for the **Door [05]** should be on the right when the **Rollers [04]** face outside.

(Fig 6.1, Fig 6.2)

2. Remove two of the **Corner Protectors** and install the **Water Sealing Strip [13]** to the right side of **Door [05]**. Make sure the end of **Water Sealing Strip [13]** is aligned with the bottom of **Door [05]**. If the **Water Sealing Strip [13]** is longer than the **Door [05]** after installation, cut it to correct length. (Fig 6.1, Fig 6.3)

3. Carefully move the **Door [05]** to the shower room. (Fig 6.3)

NOTE: Slightly place Door [05] with cloth or blanket between it and the floor.



WARNING

To prevent damage to glass and potential injury, make sure to follow the instructions on page 1.

Step 7

1. Make sure there is **Glass Bottom Protection Seal [21]** at the bottom of **Fixed Panel [02]** and apply a good quality Silicone Sealant on the bottom of the **Glass Bottom Protection Seal [21]**. (Fig 7.1)
2. Install the **Wall Brackets [08]** back to the **Support Bar [03]**. Install the **Fixed Panel [02]** to the **Bottom Rail [15]**. (Fig 7.1)
3. Install the **Wall Brackets [08]** to the **Wall Bracket Plate**. Tighten **Wall Brackets [08]** to secure. If needed, loosen the **Wall Bracket [08]** on the **Fixed Panel [02]** end for no more than one turn so that the screw holes at the side of **Wall Bracket [08]** face the wall. (Fig 7.2)
4. Slightly push the **Fixed Panel [02]** to the wall and secure the **Support Bar [03]** by tighten the screws on the **Wall Brackets [08]**. (Fig 7.2)
5. Apply a good quality Silicone Sealant on the corner of groove of the **Bottom Rail [15]**. (Fig 7.2)
6. Install the **Rail Cover [14]** to the **Bottom Rail [15]**, push it until level with the **Bottom Rail [15]**. (Fig 7.2)

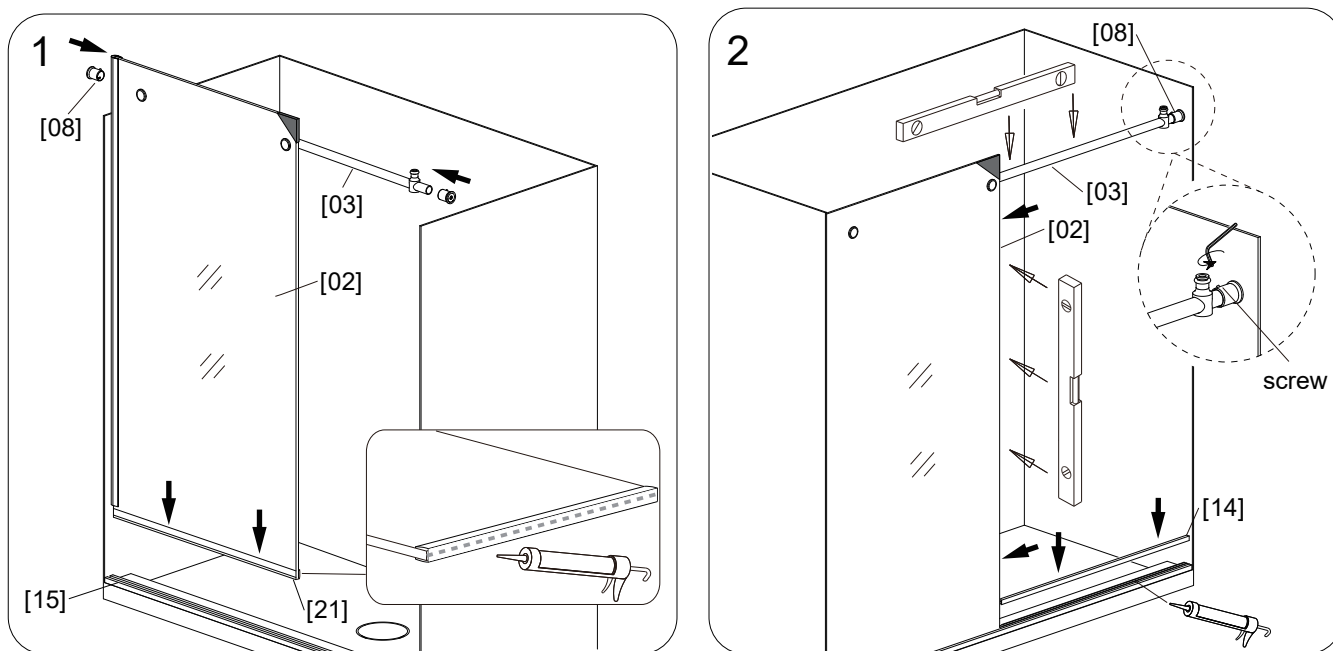


Fig 7

Step 8

1. Draw **Center Line 1** at the middle of the threshold. Draw **Center Line 2** parallel to the **Bottom Rail [15]** and **1.26"** from the inner edge of it. Draw lines parallel to **Center Line 1** on the left and right at the distance of **0.73"**. The crosses formed by Center Line 1 and the lines are the position for the drilling in Step 8.2. (Fig 8.1)
2. Drill a **1/8"** hole at each marked location if drilling into acrylic or wood material. Drill a **5/16"** hole if drilling into tile material and insert the **Small Anchors [18]**. (Fig 8.2, Fig 8.3)
3. Secure the **Guide Block [12]** with **Screw ST4X20 [16]**. (Fig 8.4)

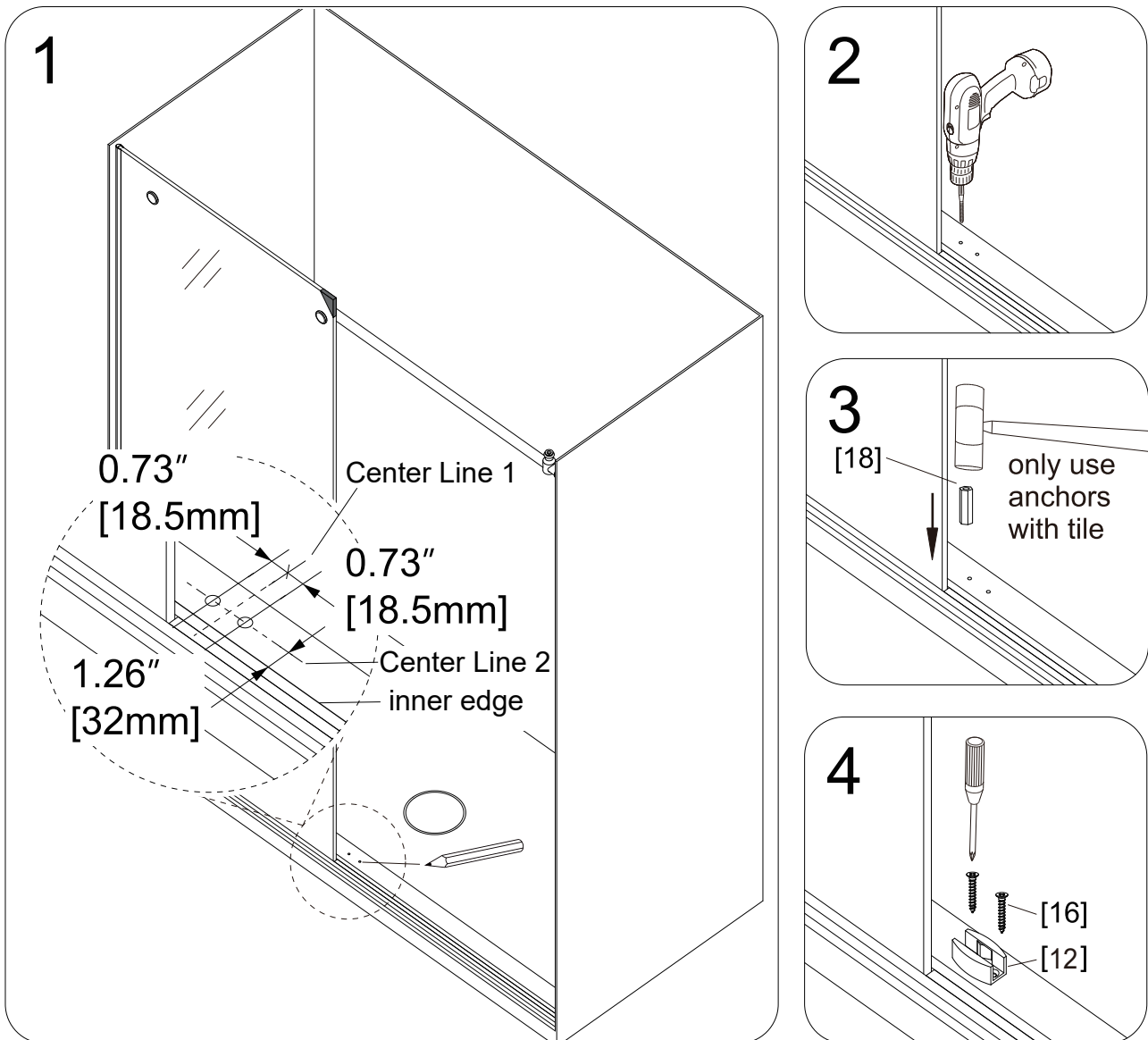


Fig 8



WARNING

To prevent damage to glass and potential injury, make sure to follow the instructions on page 1.

Step 9

1. Carefully lift up the **Door [05]** and place the **Roller [04]** on the **Support Bar [03]**. (Fig 9.1)
2. Use a matched **Allen Key [11]** to unscrew the **Limit Stop [01]** on the door end and adjust it to the position **2.76"** minimum away from the wall. Tighten the screw of **Limit Stop [01]** to secure it. Slightly push the **Door [05]** to the wall. The **Water Sealing Strip [13]** should be touched the wall. If it doesn't, adjust the position of the **Limit Stop [01]** again. (Fig 9.2)
3. Loosen the **Screw of Roller [04]** and adjust the **Eccentric Block** until it's **side hole** points upward. (Fig 9.3)
4. Stick a matched **Allen Key [11]** to the side hole of **Roller [04]**. Hold the **Allen Key [11]** still and tighten the **Screw** with another matched **Allen Key [11]**. (Fig 9.4)
5. Slightly push the **Door [05]** to the wall to check if the **Water Sealing Strip [13]** align with the wall. If it doesn't, loosen the **Screw of Roller [04]** and turn the **Eccentric Block** to adjust the position of **Door [05]**. Adjust the other **Roller [04]** if needed. Remember to retighten the screw after the adjustment.(Fig 9.4)
6. Unscrew another **Limit Stop [01]** on the **Fixed Panel [02]** end and adjust it to the position **3.6"** minimum away from the wall. Tighten the screw of **Limit Stop [01]** to secure it. (Fig 9.5)

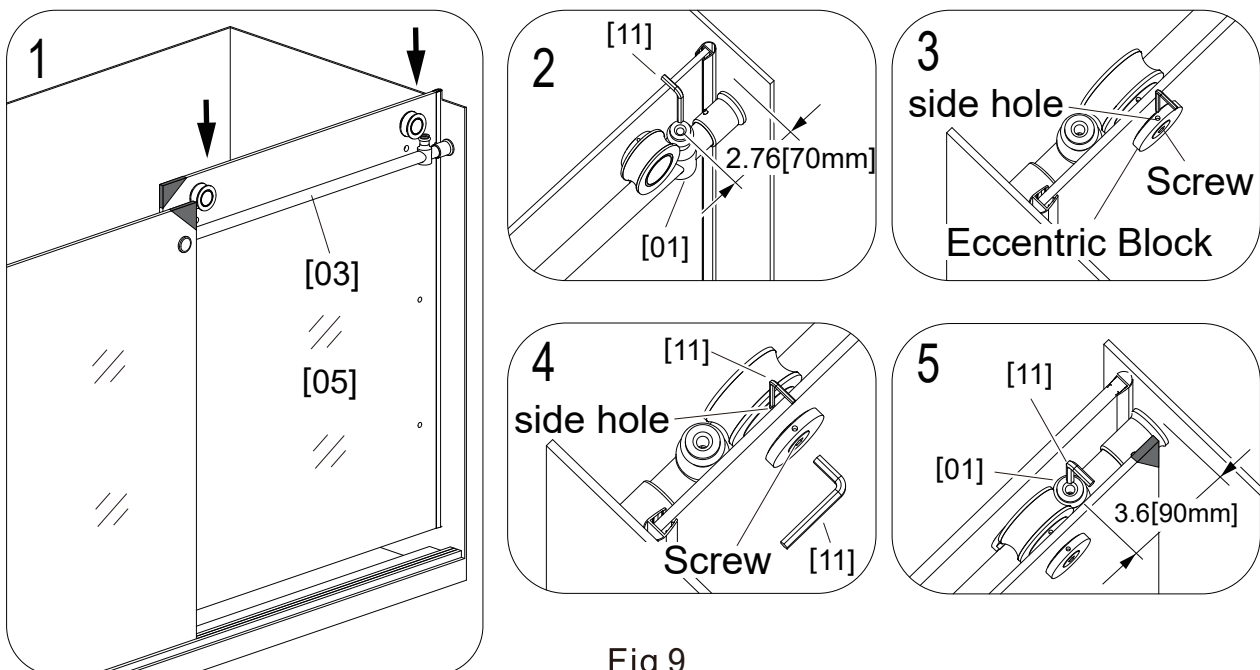


Fig 9

Step 10

1. Disassemble the **Roller Guards [19]** and install it to the **Door [05]** as the figure shows. (Fig 10)
2. Install the **Rod** and one **Washer** from the front of the **Door [05]**, install the **Nut** assembly from the back of **Door [05]**. Hold the **Rod** by hand and use a matched **Allen Key [11]** to stick to the side hole of the **Nut** and tighten it to secure. If the **Rod** is too close to the **Support Bar [03]**, turn the **Nut** in counter-clockwise.

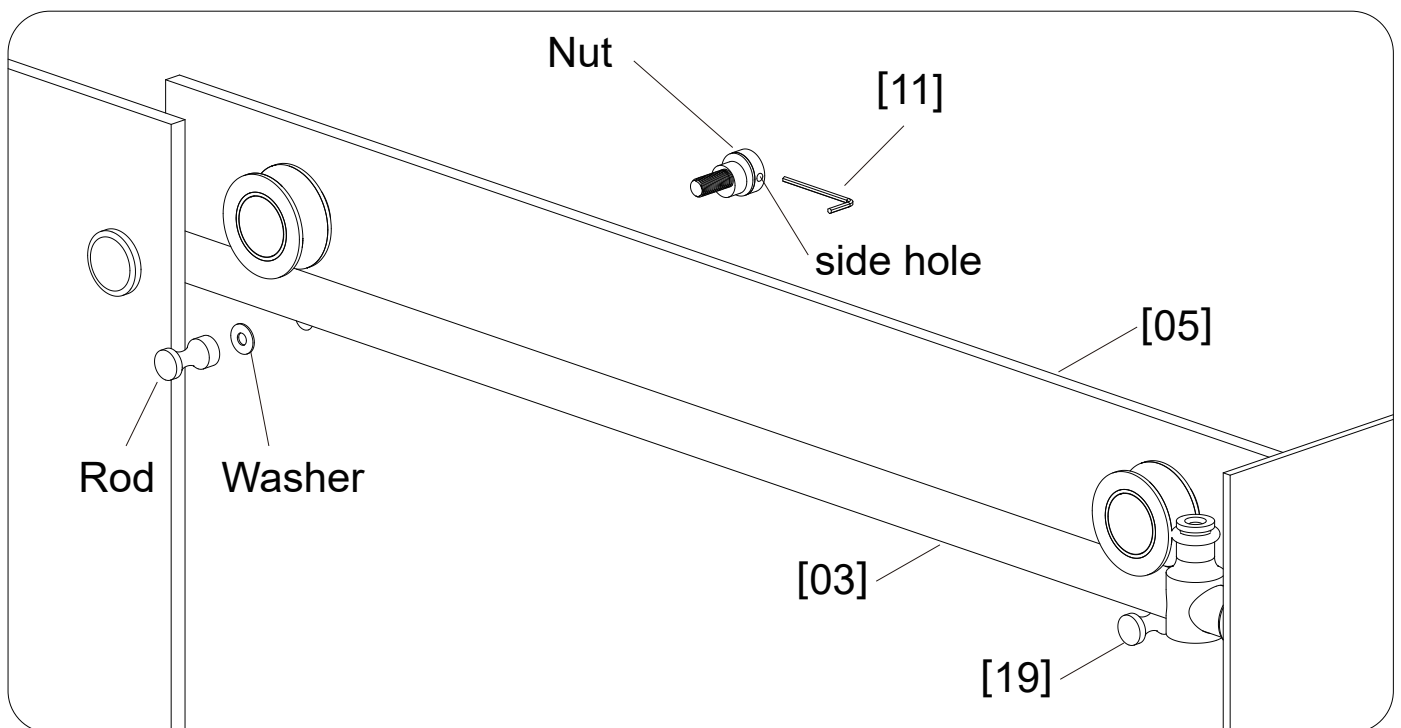


Fig 10

Step 11

1. Remove the **Corner Protectors** and install the **Water Sealing Strip [17]** to the side of **Door [05]**. Make sure the end of **Water Sealing Strip [17]** installed to **Door [05]** is aligned with the bottom of it. If the **Water Sealing Strip [17]** is longer than the **Door [05]** after installation, cut it to correct length. The **flange** should be faced outside. (Fig 11.1)
2. Remove the **Corner Protectors** and install the **Water Sealing Strip [17]** to the side of **Fixed Panel [02]**. Make sure the end of **Water Sealing Strip [17]** installed to **Fixed Panel [02]** is **0.08" [2mm]** above from the **Bottom Rail [15]**. If the **Water Sealing Strip [17]** is longer than the **Fixed Panel [02]** after installation, cut it to correct length. The **flange** should be faced inside. (Fig 11.3)
3. Cut a section from the top of the **Water Sealing Strips [17]** using the measurements from Fig 11.2 & Fig 11.4.

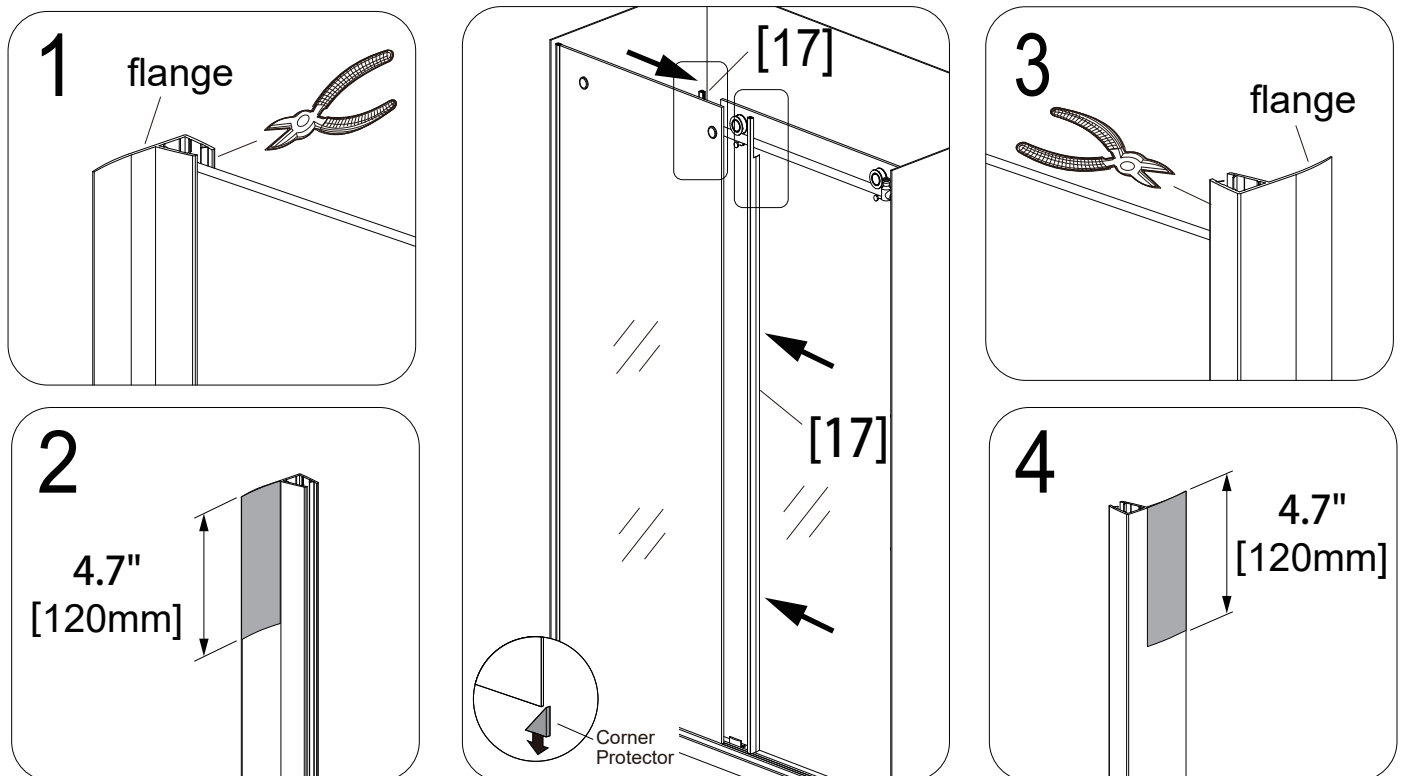


Fig 11

Step 12

1. Disassemble the **Handle Set [06]** and install to the **Door [05]**. Install **Handle, Flange** and **Washer** from the front of **Door [05]**. Install **Washer, Lever** and **Fixed Block** from the back of **Door [05]**. (Fig 12.1)

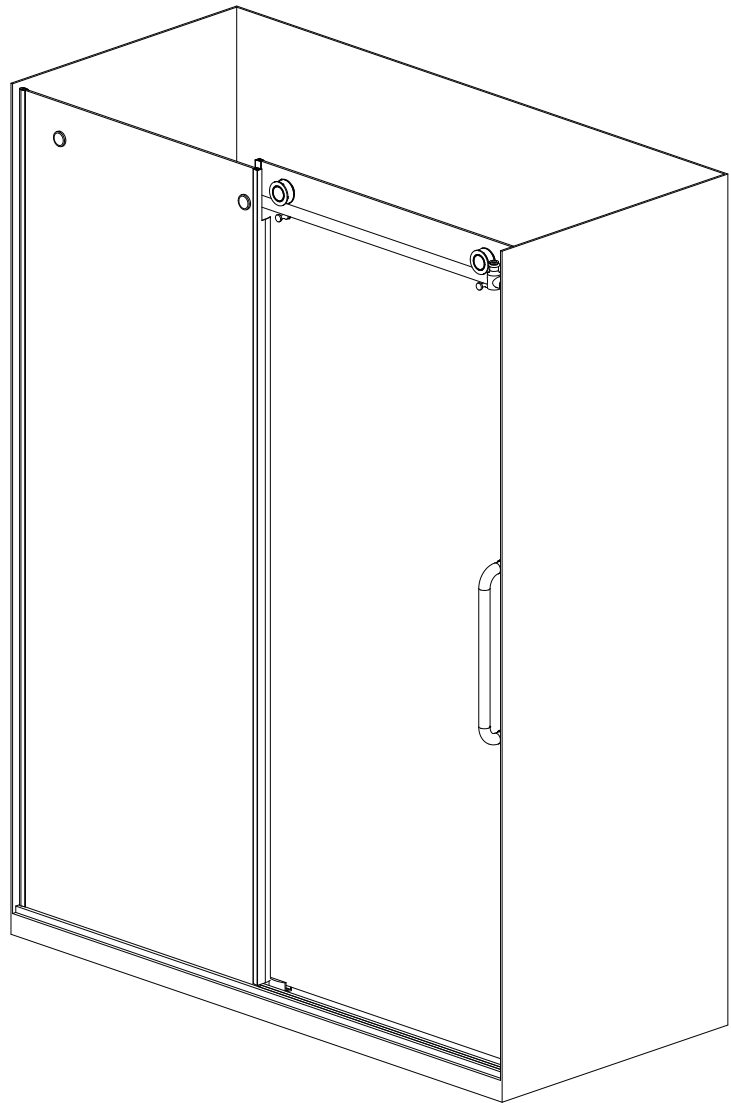
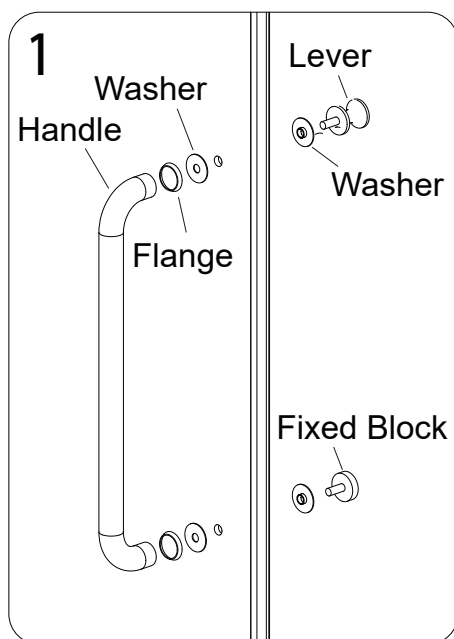


Fig 12

Step 13

1. Apply a good quality Silicone Sealant at the inner corner form by the **Bottom Rail [15]** and **Threshold**, inner corner form by the **Bottom Rail [15]** and **Fixed Panel [02]**. (Fig 13)



Allow 24 hours for the silicone to fully cure before using the shower.

Use **Silicone cleaner [20]** to smooth and clean up the silicone.

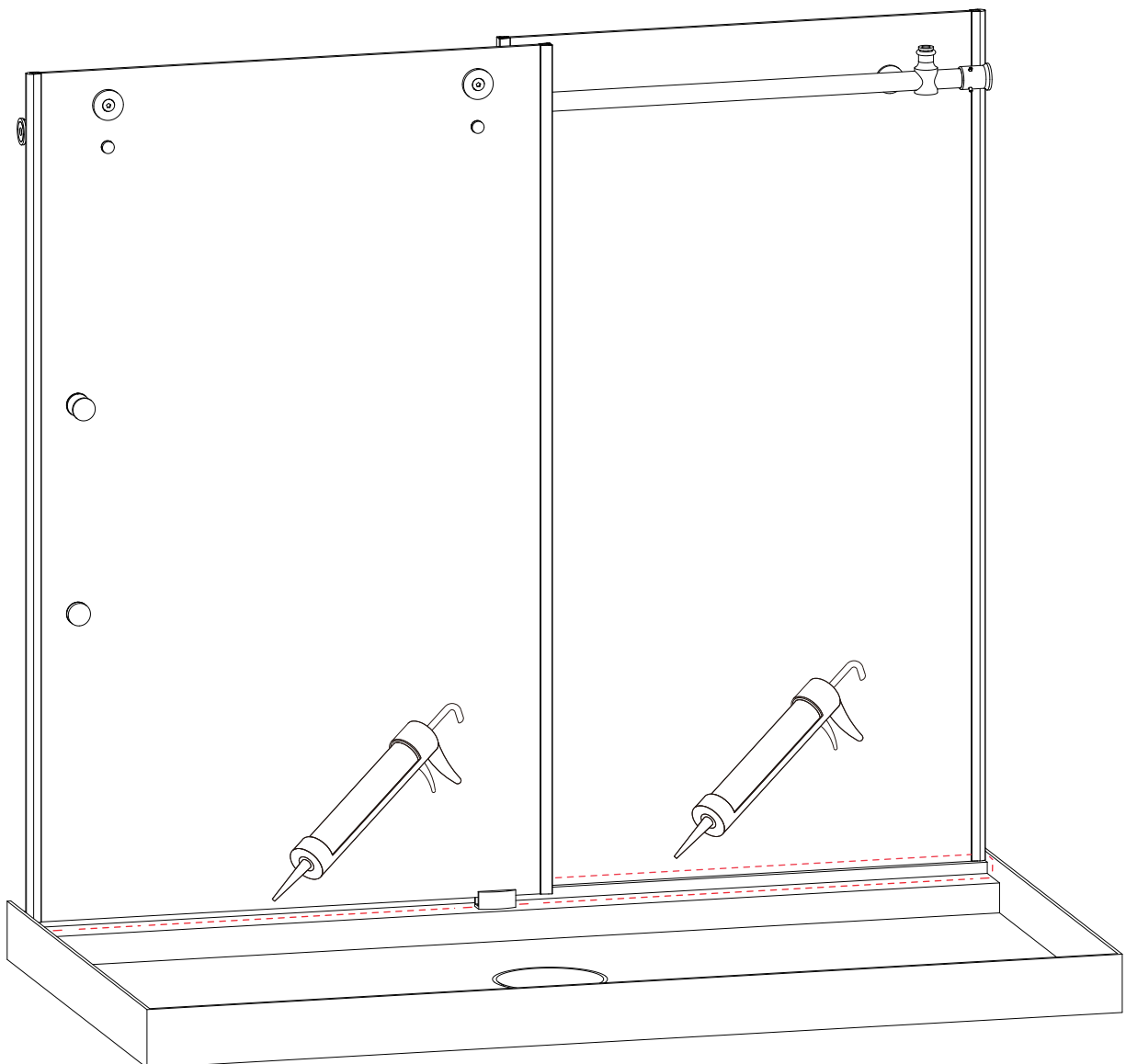
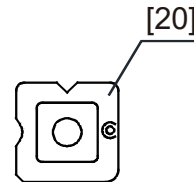


Fig 13

LEFT SIDE INSTALLATION

The previous steps are for right side installation. For left side installation, please follow the instructions below.

1. Install the shower door by following step 1 through step 3 of the right side installation instructions. Then, flip the Fixed Panel assembly and transpose the Support Bar as in step 4 and install.
2. Transpose the **Door [05]** as in step 6 and install.
3. Continue by following right side installation steps 5,7-13.

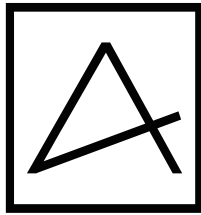
Care & Maintenance

BASES/TUBS and BACK WALLS: Wipe them off after each use with a soft cloth. To clean the acrylic surface, use non-abrasive sprays or cream based cleaners. Avoid the use of aerosol spray cleaners. Never use abrasive cleansers, metal brushes, or scrapers, as they can scratch or dull the surface.

GLASS: Wipe off the glass after each use with either a soft cloth or a squeegee to prevent soap buildup and water spots (hard water can etch the surface of the glass over time if left to dry). To avoid damaging the surface, never use abrasive cleaners or cleaning products that contain scouring agents. Likewise, never use bristle brushes or abrasive sponges that can scratch the surface.

HARDWARE: To ensure a long-lasting finish, wipe off the metal parts after using with a soft cloth. Do not use abrasive cleaners or cleaning products containing ammonia, bleach, or acid. If accidentally used, rinse the surface as soon as possible to prevent damage to the finish (peeling or corrosion). After cleaning the polished finishes, rinse thoroughly and wipe dry with a soft cloth. Clean stainless steel surfaces at least once a week. When applying stainless steel cleaner or polish to stainless steel hardware, work with (not across) the grain. Never use an abrasive sponge or cloth, steel wool, or wire brush, which may permanently scratch the surfaces.

NOTE: Regularly inspect the glass and all hardware for misalignment, proper attachment, and damage. Contact ANZZI with any questions or concerns.



ANZZI®