



INSTALLATION MANUAL

THERMOSTATIC RAIN SHOWER MIXER

ITEM NO.: AB2867

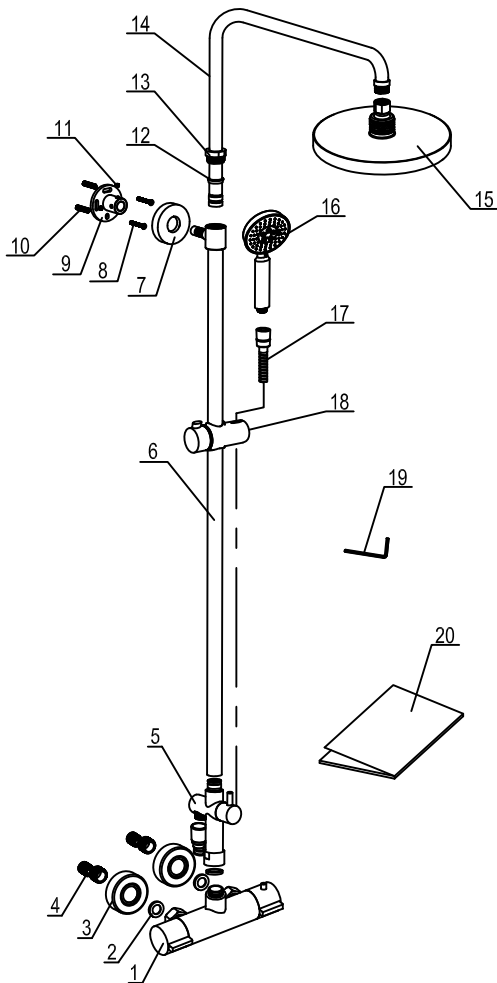
※ COMPONENTS CHECKING

LIST OF THE STANDARD COMPONENTS:

Please double-check the components list hereinafter and contact our company or our distribution for any unconformity.

Remark: 1. Without affecting their performing, components may be changed without further notice.

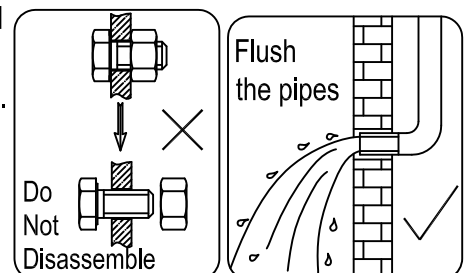
2. Drawings for reference only. Product size & shape refer to actual faucet.



The Components List	Qty.
1 .Main body	1
2 .Washer	3
3 .Decorative cup A	2
4 .S-union	2
5 .Shower diverter	1
6 .Shower pipe	1
7 .Decorative cup B	1
8 .Screw	2
9 .Installation hook	1
10 .Expanding plastic grain	2
11 .Bolt	2
12 .Cushion	1
13 .Nut	1
14 .Shower arm	1
15 .Overhead shower	1
16 .Handshower	1
17 .Flexible hose	1
18 .Shower hook	1
19 .Allen wrench	1
20 .Manual	1

※ Installation instructions:

- ☆ Do not disassemble the main body, as it has been installed & commissioned correctly & precisely before leaving the factory.
- ☆ To avoid the faucet from jamming, do flush the water pipe before installation.
- ☆ After installation, make sure every joint is safely sealed & no leaking.
- ☆ The nominal water pressure is (0.05-1.0)MPa (including cold & hot water pressure), suitable for water temperature from 4°C to 90°C.
- ☆ Make sure to connect the hot/cold inlet pipe correctly, if standing in front, hot water pipe connecting to the left & cold water pipe connecting to the right.



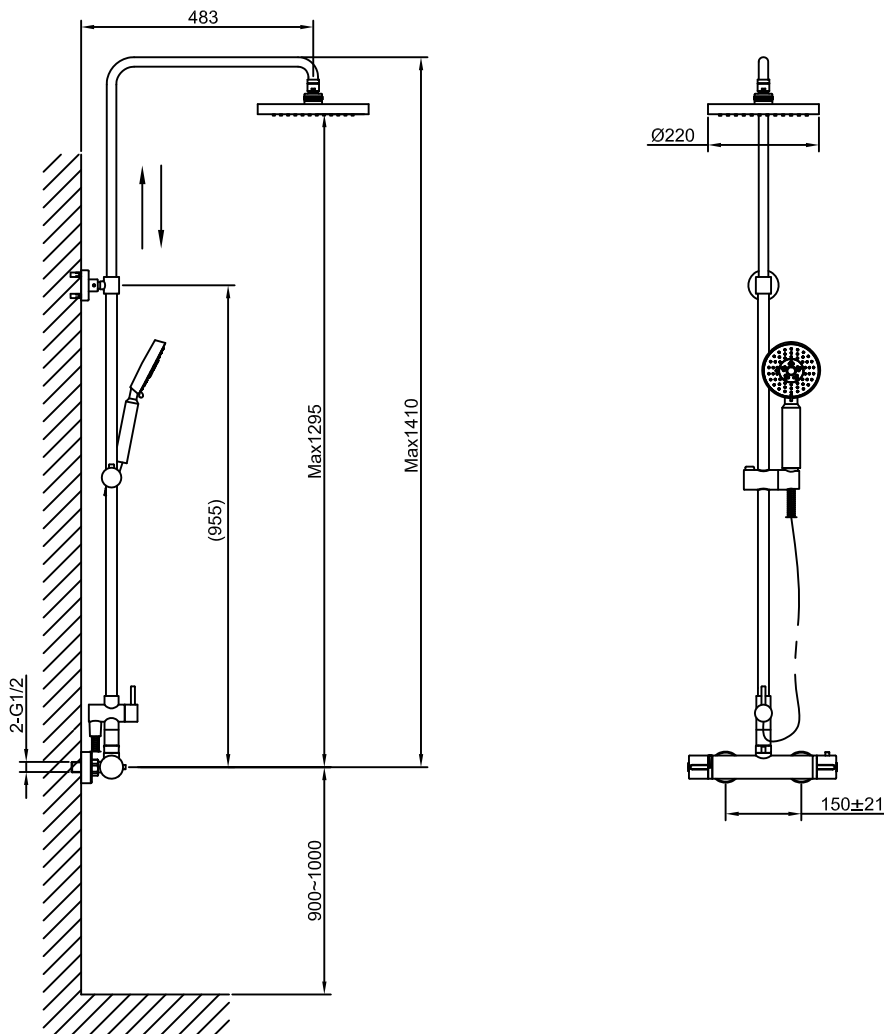
※ Generals

This thermostatic mixer is designed for solar heating system, for where there is the case that the mixing water from other mixers easily get too hot because of high pressure difference between cold and hot water supplying.

The main characteristics:

1. With synchronized opening valves, there is no need to have check-valves for this thermostatic valve, not only minimizing the water resistance but also maximizing the water flow-rate.
2. With blocking design, very convenient for installation and maintenance.
3. With inlaying ceramic disks, enduring high water temperature up to 100°C.
4. With Vernet thermostatic element, the best temperature regulation and safety.
5. With automatic limit to highest water temperature of 50°C, the guarantee of anti-scald function.

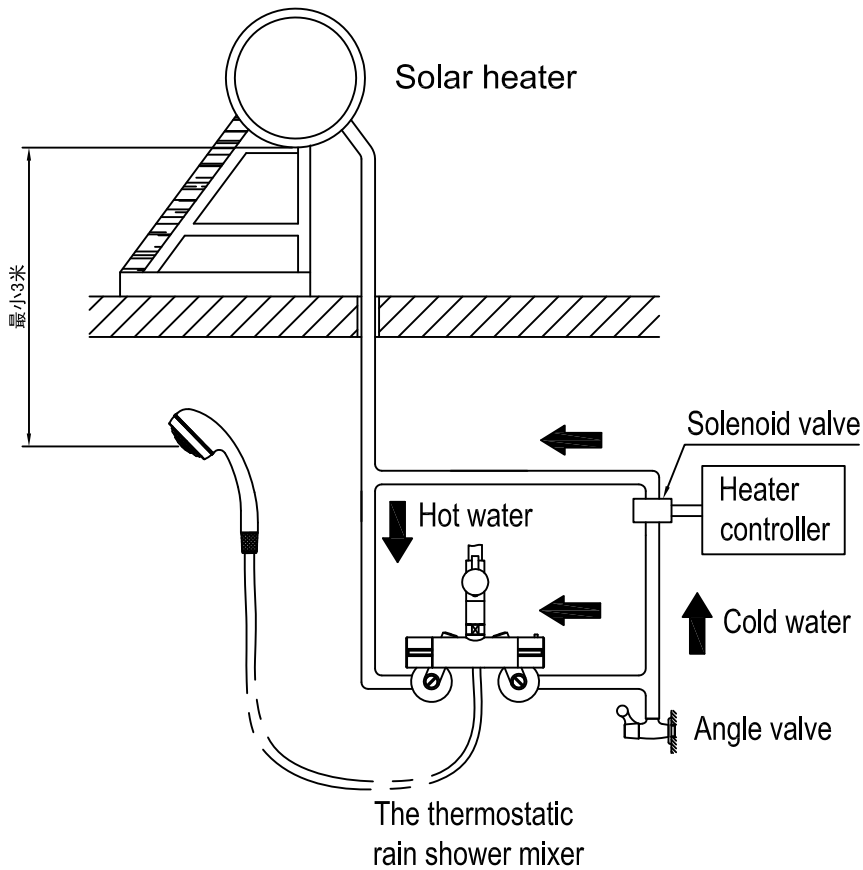
※ Dimension Drawing



※ Technical data

Working temperature	Temperature range	Tolerance
(4-90)°C	(30-55)°C	±2°C

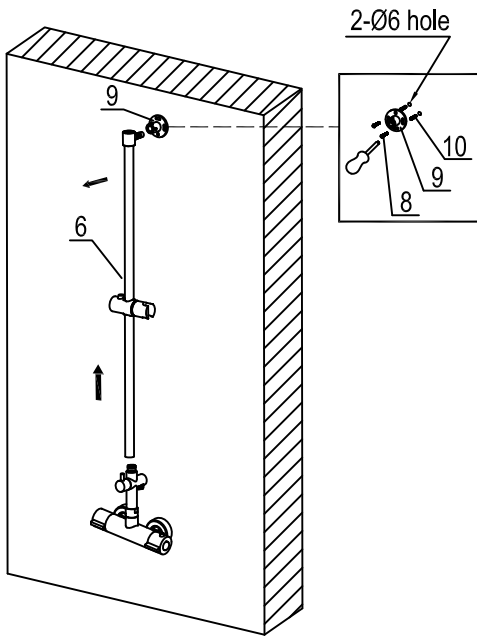
※ Pipes connection chart



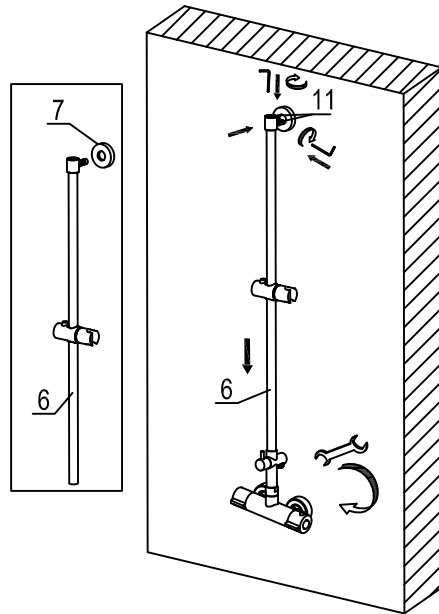
※ Installation Procedures

<p>1.</p>	<p>2.</p>
<p>1. Please imbed in advance the pipes for cold & hot water and leave beforehand two installation holes on the appropriate height. After twisting the PTFE tape on the thread of the S-unions(4), screw the S-unions into the pipes, two S-unions should be kept horizontally.</p>	<p>2. Insert the decorative cup A(3) into the S-union(4). After tightening the nuts, install the main body(1), washers(2), shower diverter(5), shower pipe(6), installation hook(9) and bolts(11). According to the actual location, ensure the fixing height between the Installation hook(9) and the center of the main body.</p>

3.



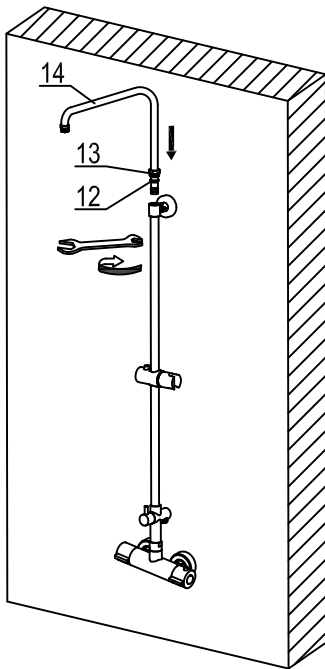
4.



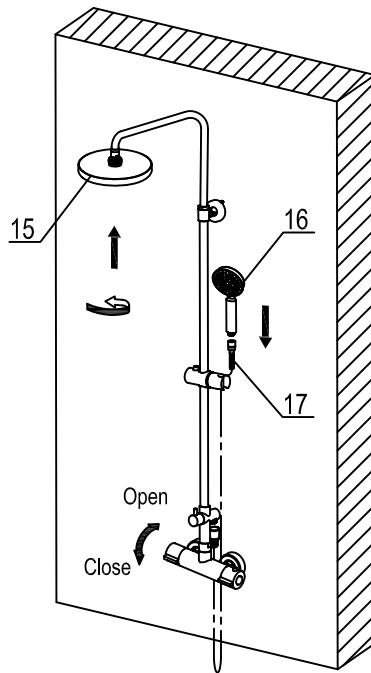
3.Remove the shower pipe and installation hook, drill 2-Ø6 holes before beat one expanding plastic grain into each hole. Then fix the installation hook on the wall with the screws(8) .

4.Insert the decorative cup B(7) into installation hook, and insert the shower pipe into shower diverter and installation hook, after adjusting the location of the shower pipe, tighten the bolts(11) with the allen wrench(19).

5.



6.



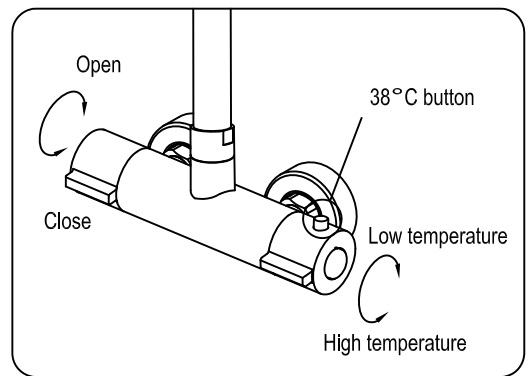
5.Insert the shower arm(14) into the shower pipe assembly(6), tighten the nut(13) with a spanner after adjusting shower arm orientation and the inserted depth of shower arm you needing.

7.fix the overhead shower(15) on the shower arm, and connect the handshower(16) and the shower diverter with flexible hose (18). Finally, Test the water tightness to finish installation.

※ Usage:

☆ How to operate the temperature handle and the switch handle:

1. First, turn on the cold water supply, then hot water supply, or it'll cause damage to the thermostatic cartridge.
2. The temperature will be preset to 38°C on the thermostatic handle, to avoid overheat when open the faucet, pls press the 38°C button and turn the handle to the scale for your desired temperature.
3. The thermostatic cartridge will lose effectiveness or even being damaged for overheat exceeds 80°C.
4. We suggest to turn the thermostatic handle to the low temperature open the switch handle.
5. The switch handle is on the left of the faucet, with ceramix cartridge for quarter turn, turn the handle up to open faucet, and down to close faucet.



☆ Maintenance:

It's mostly considered that too much impurities deposited in the mixing valve if the thermostatic cartridge fails to work in usage.

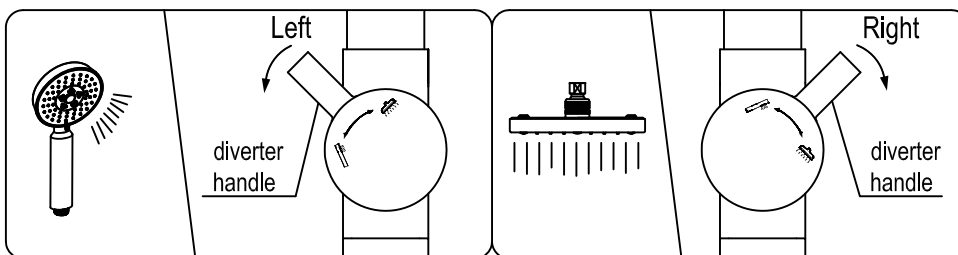
Solution: Take out the hose, turn on the switch handle to the max flow capacity, the other hand, turn the thermostatic handle from the max temperature to the min temperature, with 10 times more recycles, to flash away the sands or other impurities. Then, turn off faucet & return thermostatic handle to the 38°C button, try again to see if the faucet back to its normal state after water supply recovers.

If it still fails to work, pls contact us or our distributor immediately for maintenance.

Pls cut off hot/cold water supply if any leaking problem arisen, and contact us or our distributor immediately for maintenance.

☆ The usage of the diverter handle :

- 1) Turn the diverter handle anti-clockwise to the left, the water comes from handshower.
- 2) Turn the diverter handle clockwise to the right, the water comes from overhead shower.



※ Cleaning & Maintenance

☆ To keep the product clean & shining, follow the steps as below:

1. Flush with clean water & dry with soft cloth only.
2. If any dirt, clean with soft liquid or transparent glass detergent.
3. Do not use any scrubbing detergent, polisher, sand-cloth, paper tissue or scraper.
4. Do not use acid detergent, indissolvable grain-like detergent or soap.



※ This installation instruction is only for your reference, the final right to explain & to revise it belongs to us.

Serial number: 80010112879