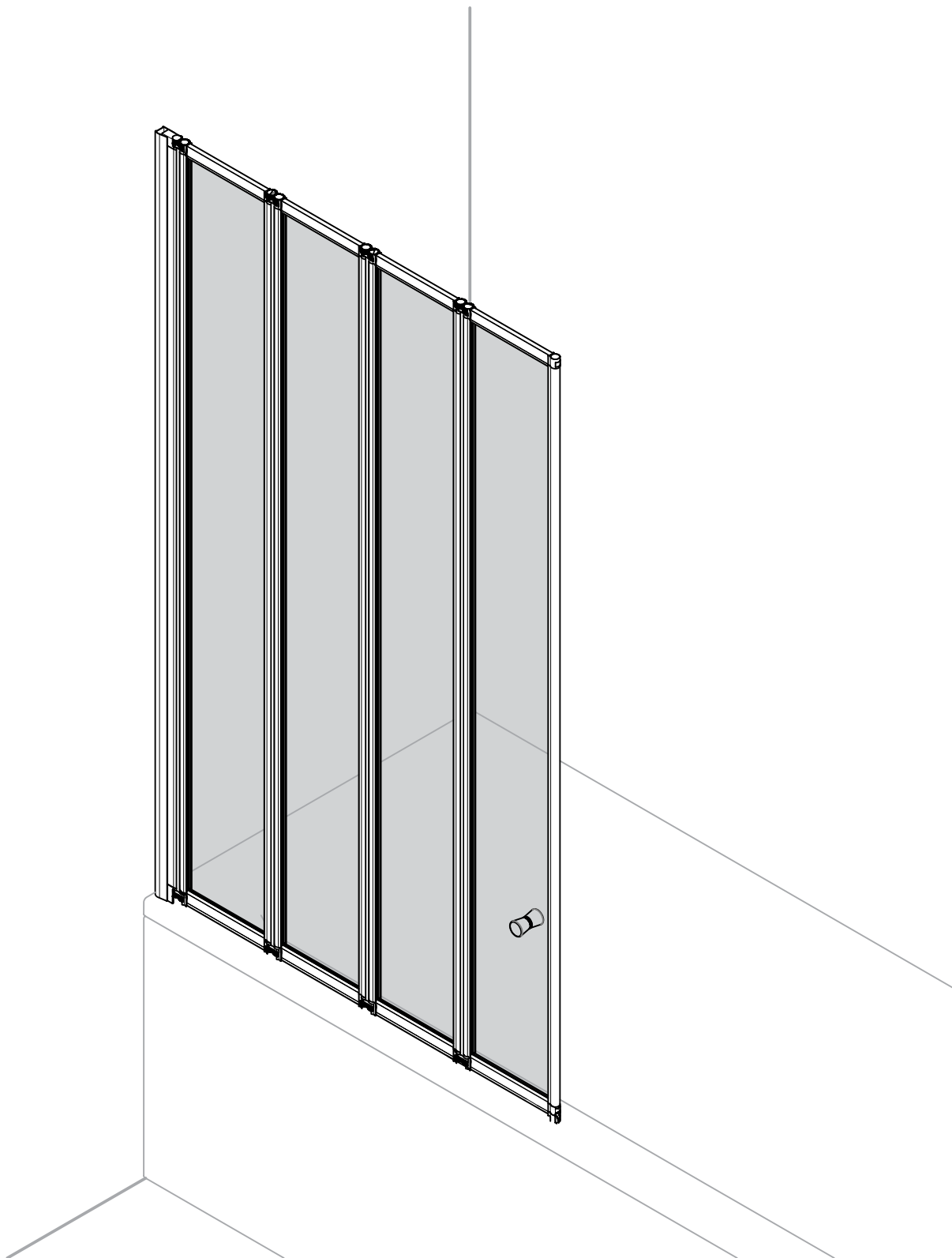


4-Fold Bath Screen

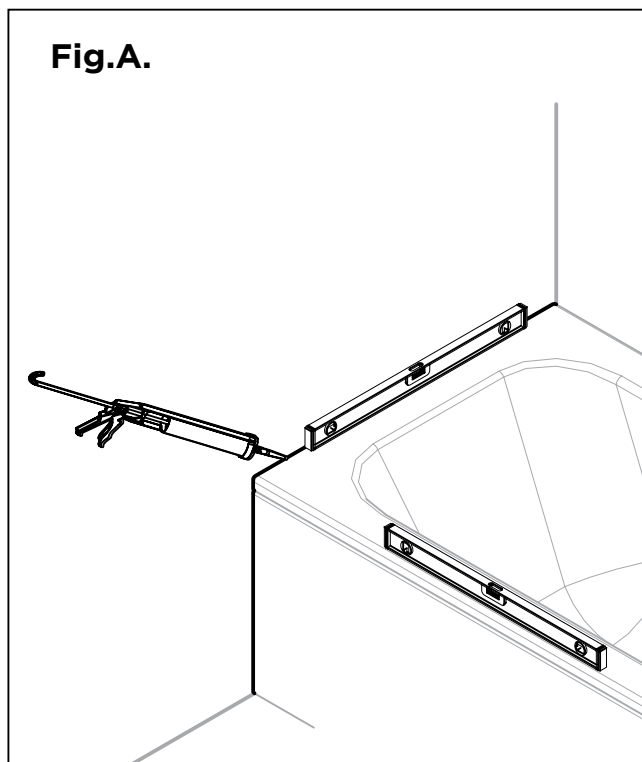
- Instruction suitable for both Right and Left Hand Fixing.



Before You Start

- Check that the bath has been installed correctly and that it is level. **Please Note:** All product supplied without bath.
- Check that there is sufficient space on the bath for the product and that the screen movement does not impact on other items such as sinks and taps.
- Ensure the product is fitted to a non-porous surface ie. tiled. Check that the wall surface is flat.
- Unpack and check the product is complete and undamaged, (refer to 'Parts & Fittings Supplied' and 'Loose Screws & Fittings Supplied' sections for details).
- Fixings are supplied for solid walls only. Ensure that the correct fixings are used for the wall type - if in doubt seek professional advice.
- Ensure the area is clean, dry and dust free.
- Read the instructions in full.
- Have the correct tools available, (as shown below, see 'Tools Required').

Fig.A.



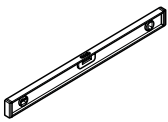
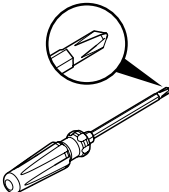
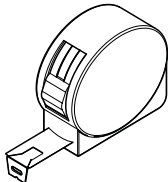
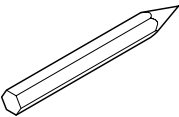
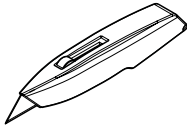
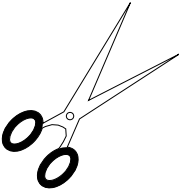
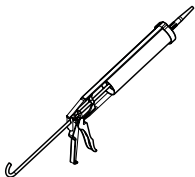
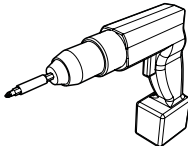
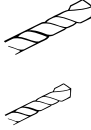
Safety

- Handle all glass with care - support on cardboard to avoid risk of breakage.
- This product is heavy and requires 2 people to carry and install it.
- Check walls first for hidden pipes and cables before drilling.
- All glass is toughened - it cannot be reworked or replaced by ordinary glass.
- Use safety eyewear when drilling.
- Use safety eyewear when handling glass.
- Keep all small parts away from children.

Disclaimer

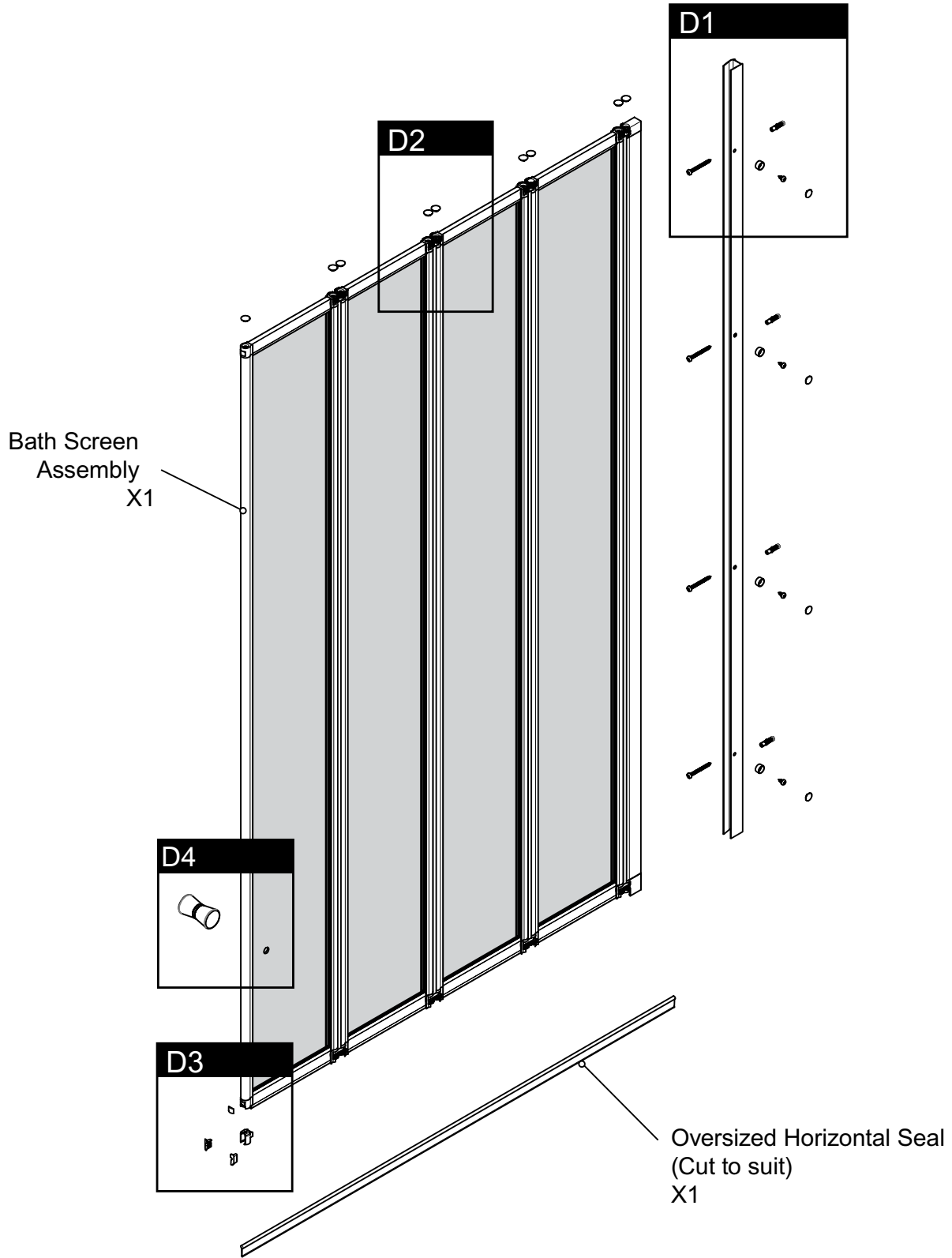
- Please notify the retailer immediately of any damage or faults. The manufacturer cannot be held responsible for any installation costs that may arise from damaged or faulty product being installed.
- Please dispose of all packaging with due regard to the environment.

Tools Required (not supplied)

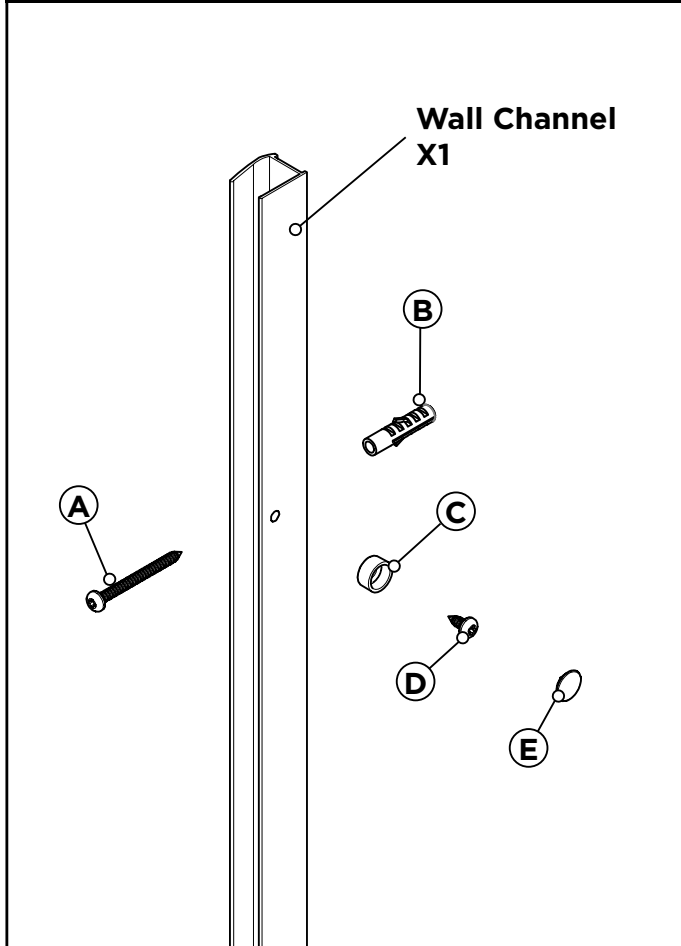
<p>Spirit Level</p> 	<p>Screwdriver</p> 	<p>Tape Measure</p> 	<p>Pencil</p> 	<p>Utility Knife</p> 
<p>Scissors</p> 	<p>Silicone Gun & Sealant</p> 	<p>Power Drill</p> 	<p>Suitable Drill Bits</p>  <p>6mm dia. *</p> <p>3mm dia. HSS</p>	<p>* Ensure drill bit used is suitable for wall surface</p>

Parts & Fittings Supplied

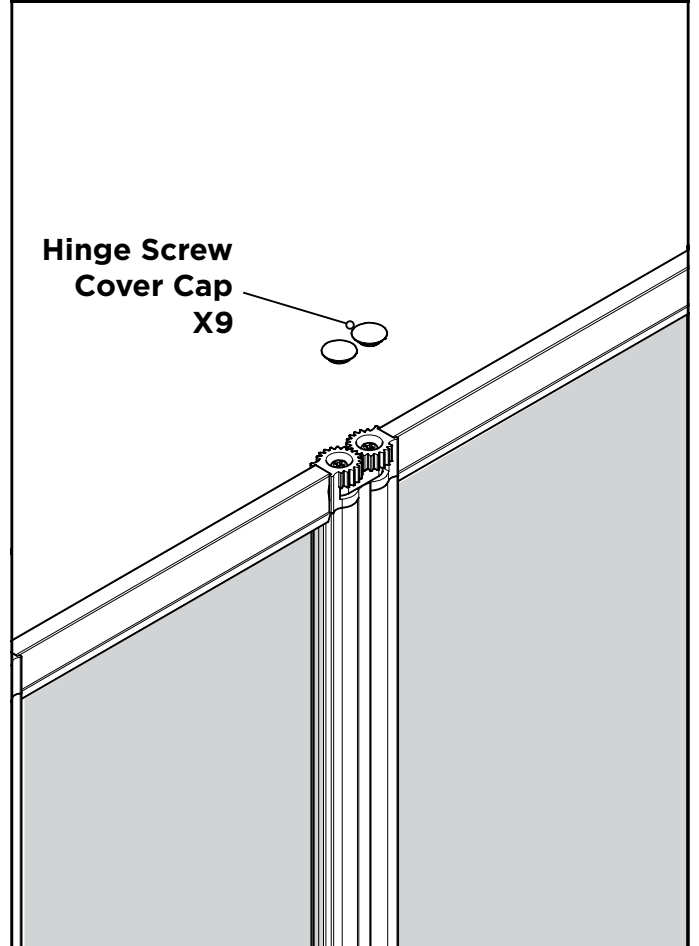
! Keep small parts away from children



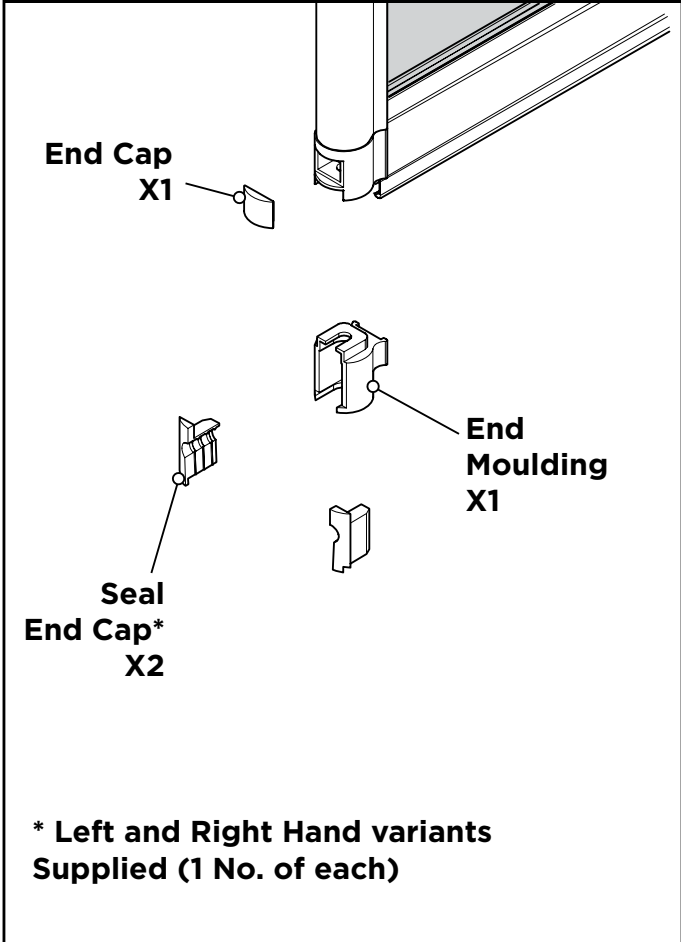
D1



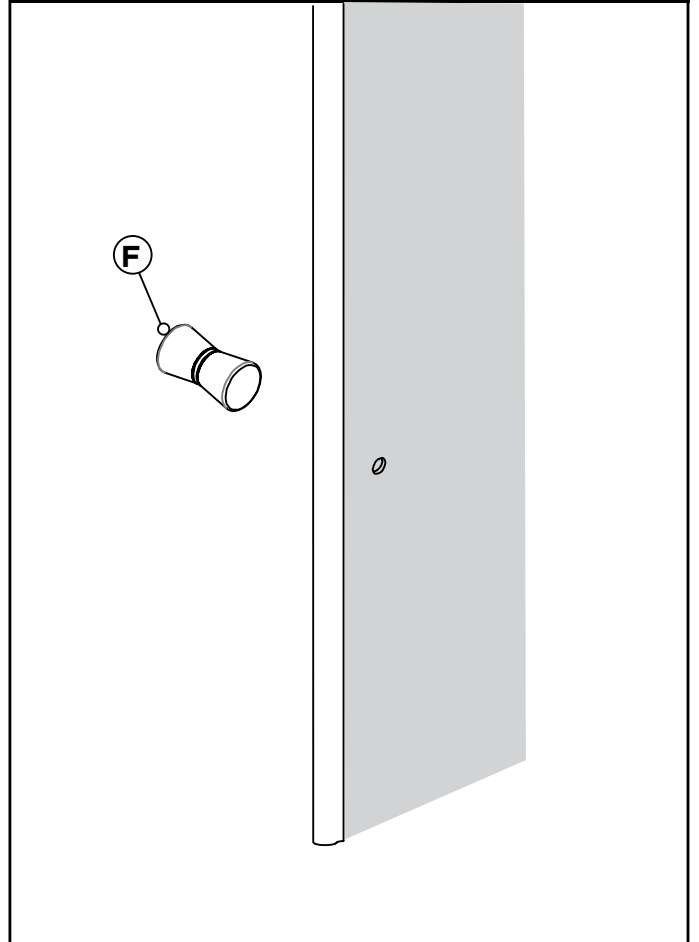
D2



D3

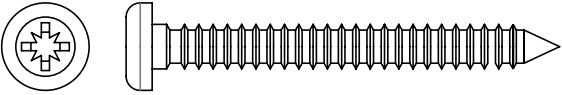
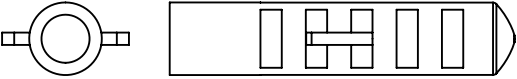
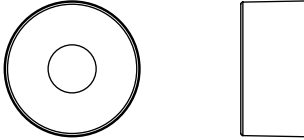
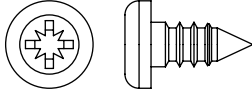
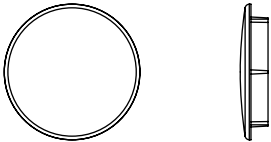
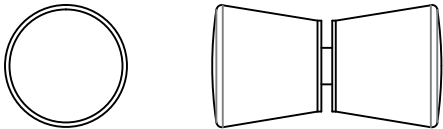


D4



*** Left and Right Hand variants
Supplied (1 No. of each)**

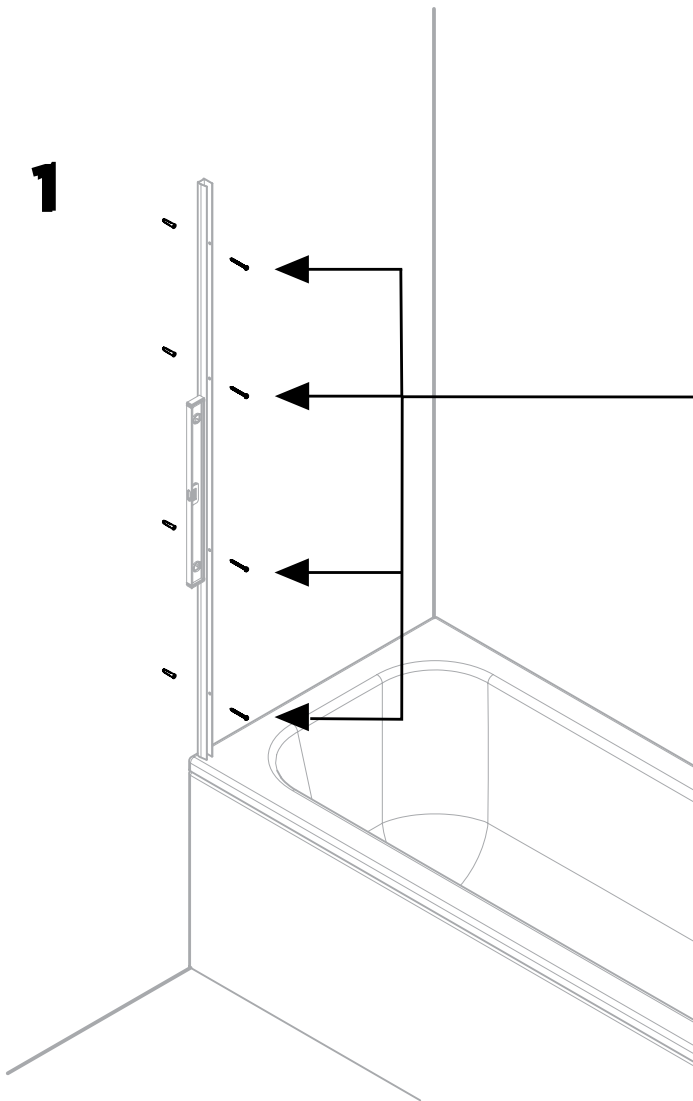
Loose Screws & Fittings Supplied

<p>(A)</p>	<p>No.8 x 1½" Pan Head Pozi Screws</p>		<p>Qty x5</p>
<p>(B)</p>	<p>Wall Plugs</p>		<p>Qty x5</p>
<p>(C)</p>	<p>Screw Snap Cap Base</p>		<p>Qty x5</p>
<p>(D)</p>	<p>No.8 x ¾" Pan Head Pozi Screws</p>		<p>Qty x5</p>
<p>(E)</p>	<p>Screw Snap Caps</p>		<p>Qty x5</p>
<p>(F)</p>	<p>Door knob</p>		<p>Qty x1</p>

*** Tip:** When drilling tiles apply masking tape to surface to stop drill bit slipping.

! Wall plugs supplied are for solid walls only. Ensure correct wall plug for wall type is used. If in doubt seek professional advice.

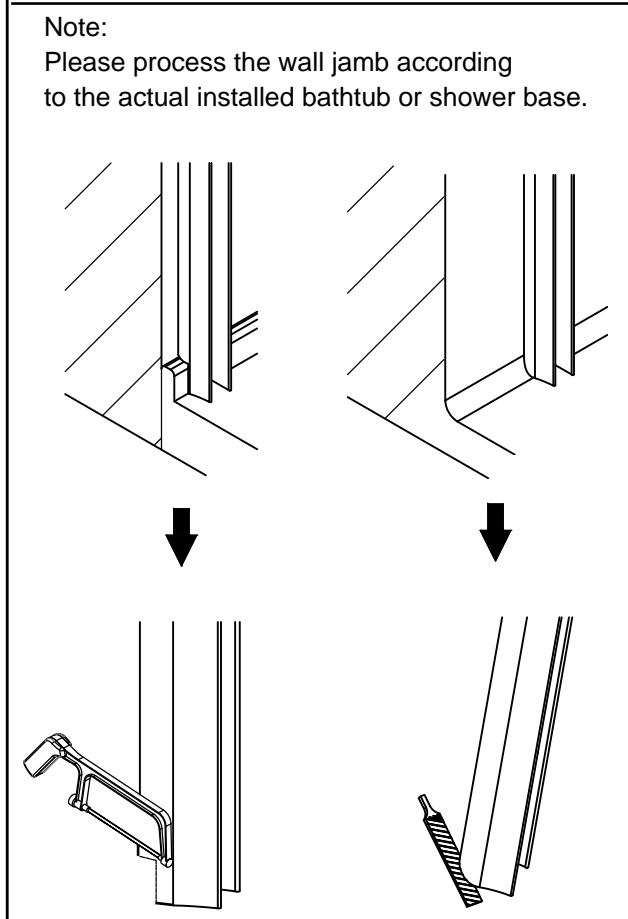
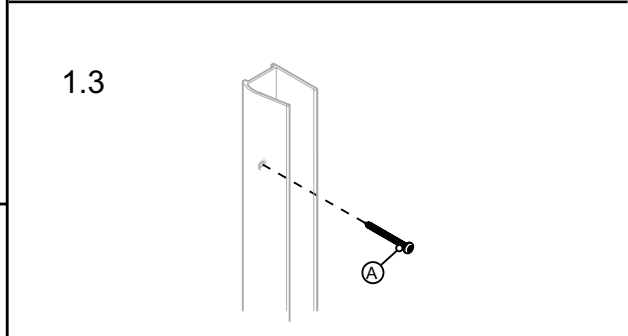
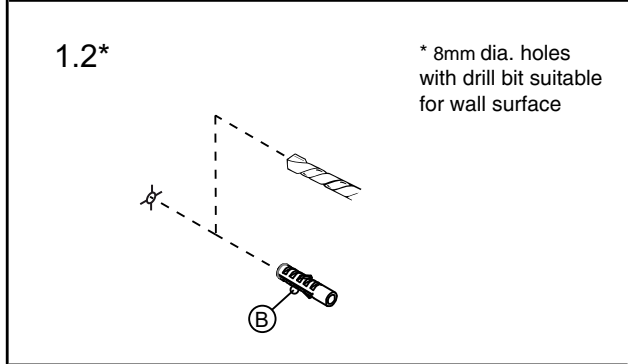
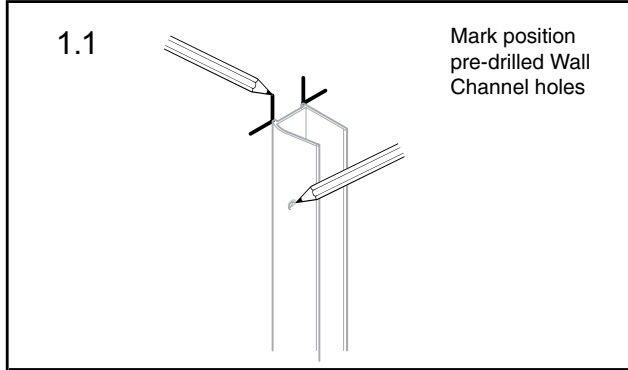
! Position wall channel on wall. Ensure channel is vertically level and does not overhang the bath.



!

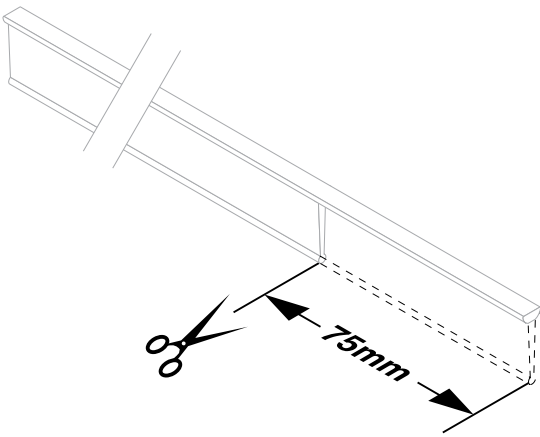
BATH SIDE	
OUTSIDE FACE	

Please Note:
Position Wall Channel with curved side facing away from bath.

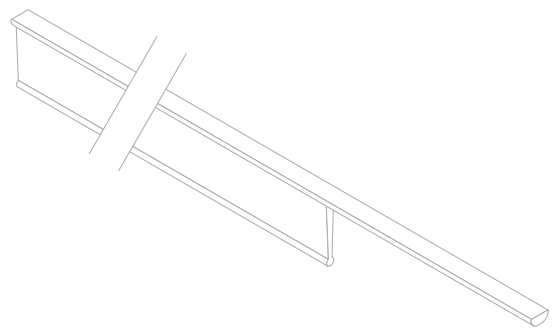


Horizontal Seal Preparation

i)

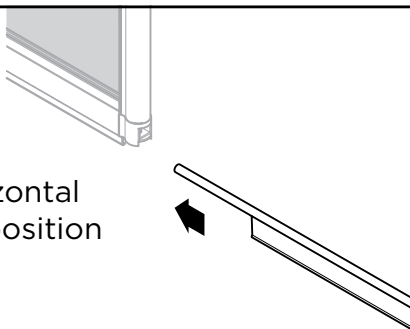


ii)



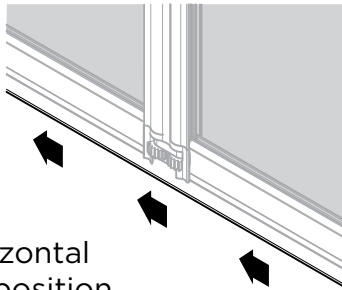
2.1

Slide Horizontal Seal into position



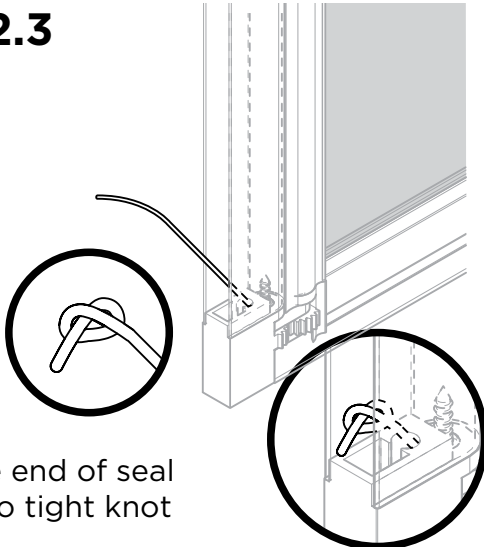
2.2

Slide Horizontal Seal into position

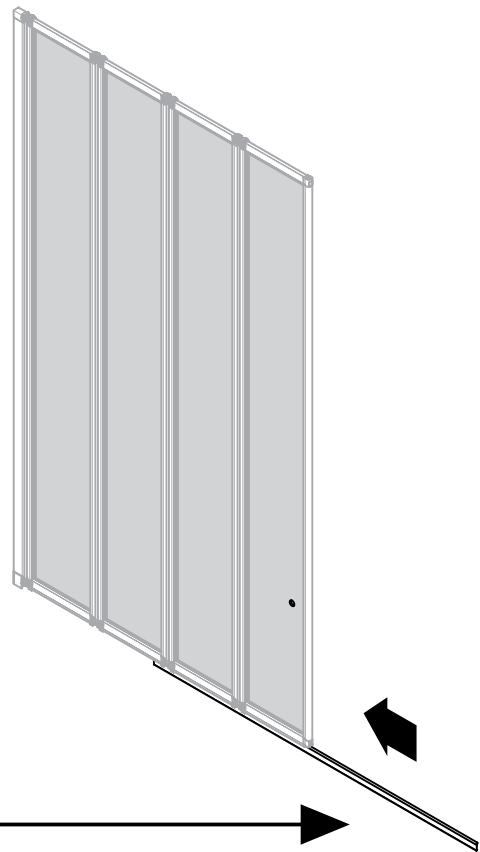


2.3

Tie end of seal into tight knot

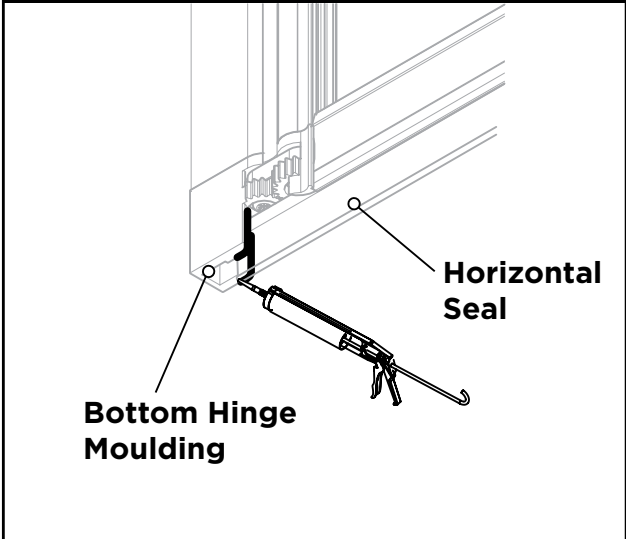


2

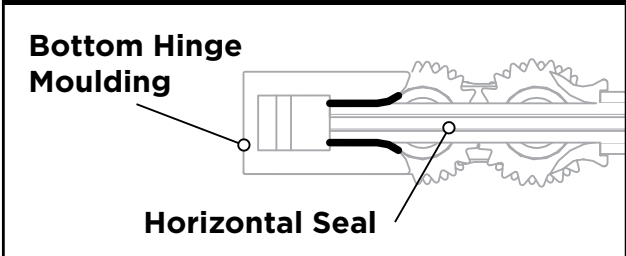


Tip:
Apply a small amount of Silicone Lubricant to the Horizontal Seal to help slide into position.

Underside View



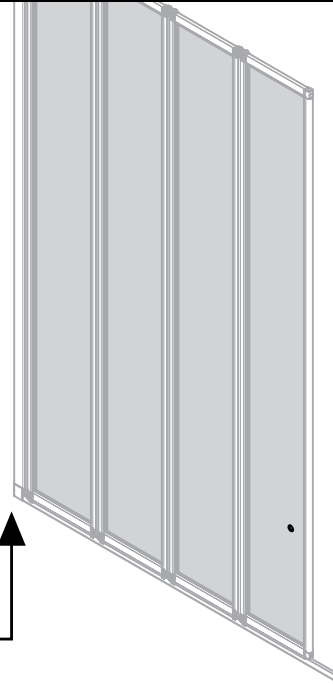
Plan View



IMPORTANT NOTE:

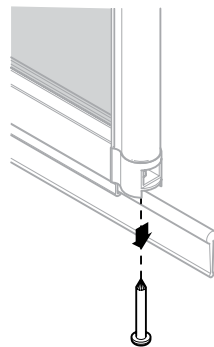
! Please ensure that Silicone Sealant is apply fully between Horizontal Seal and Bottom Hinge Moulding as shown.

3



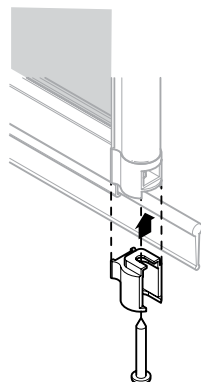
4.1

Remove screw as shown.

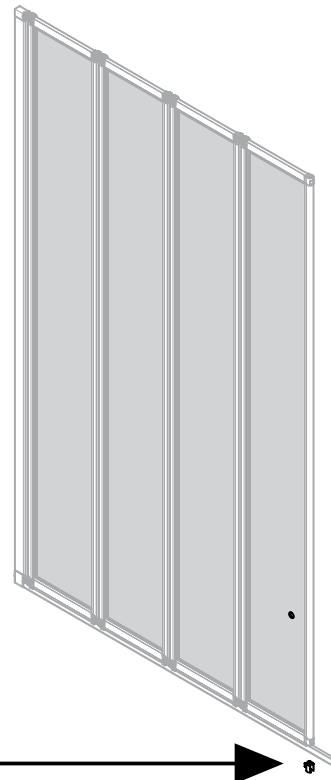


4.2

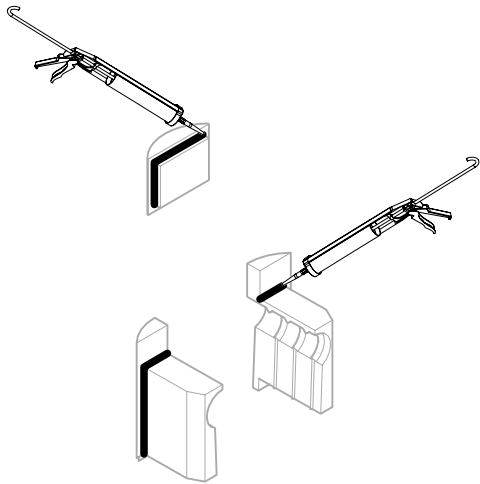
Push fit End Cap Moulding, fix using screw removed in previous step.



4

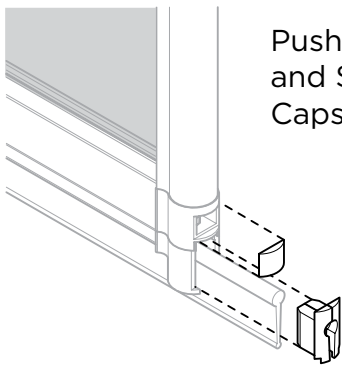


5.1



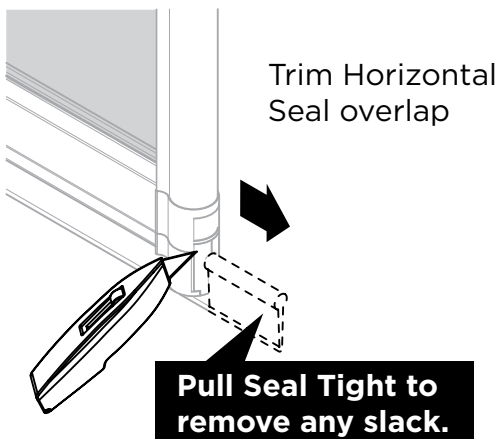
Apply a small amount of silicone sealant to End Cap and Seal End Caps.

5.2



Push fit End Cap and Seal End Caps.

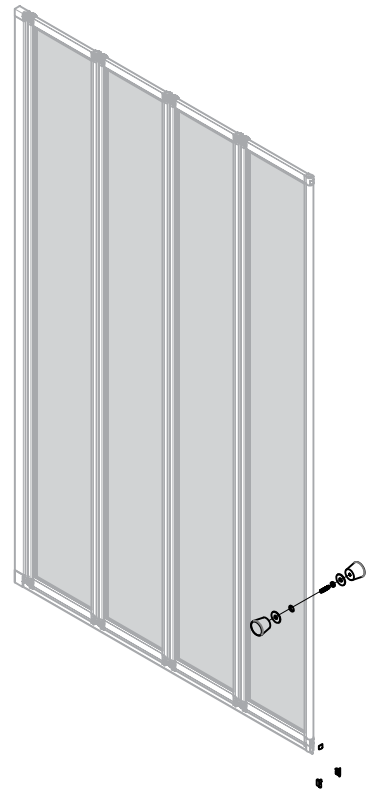
5.3



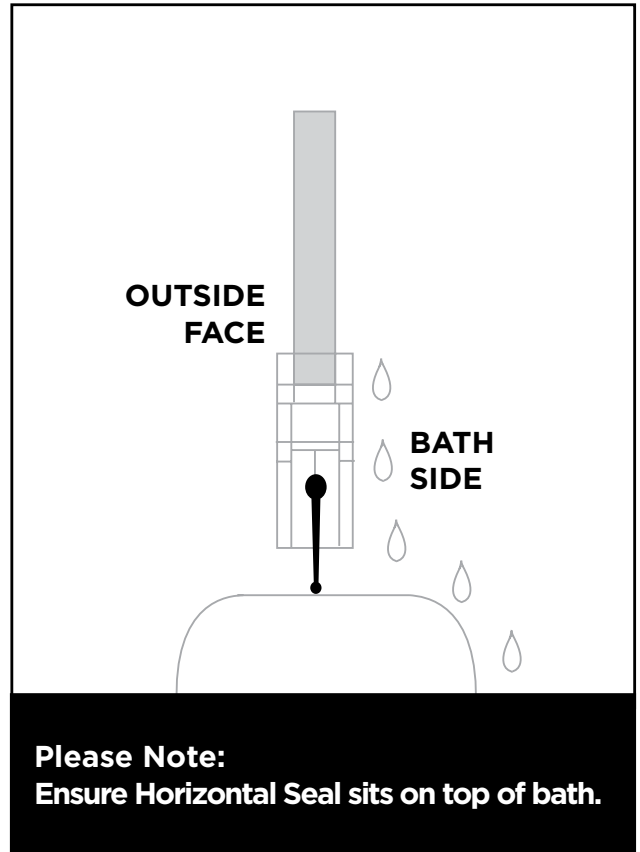
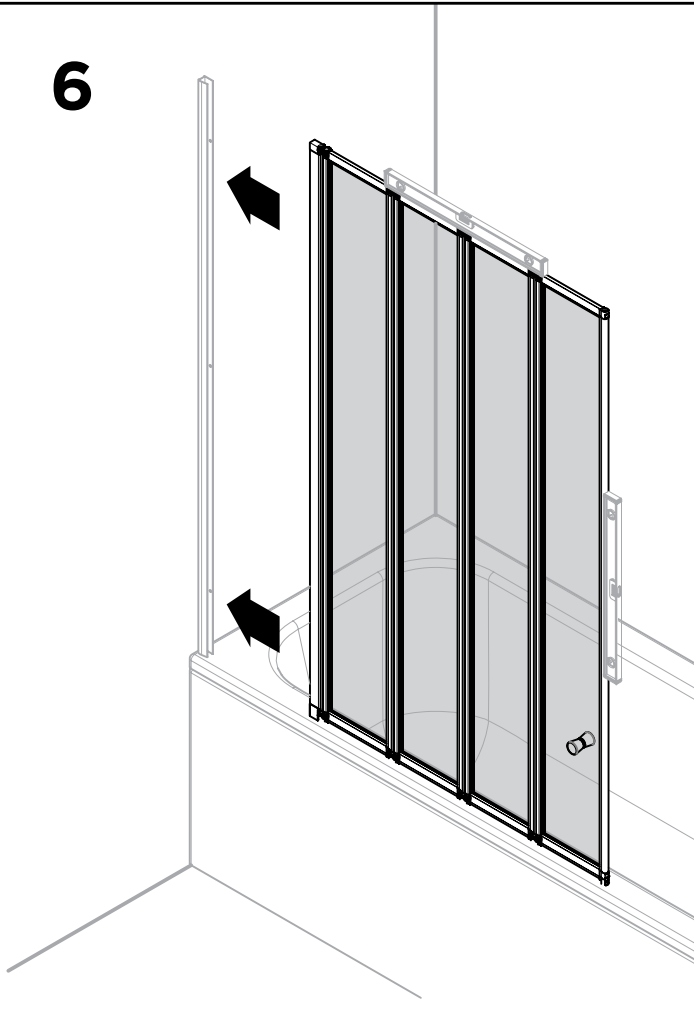
Trim Horizontal Seal overlap

Pull Seal Tight to remove any slack.

5



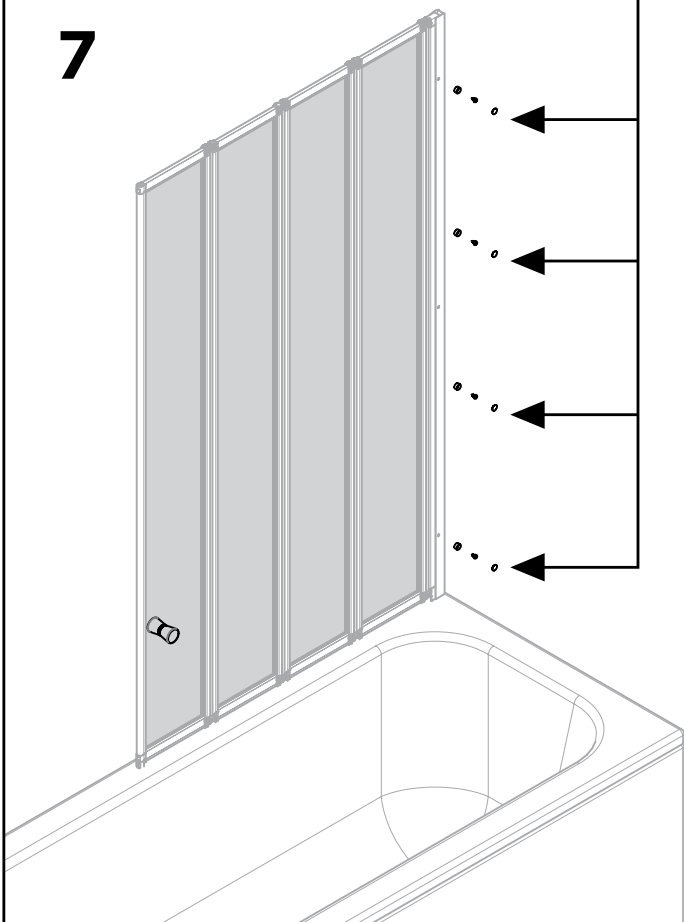
6



Please Note:
Ensure Horizontal Seal sits on top of bath.

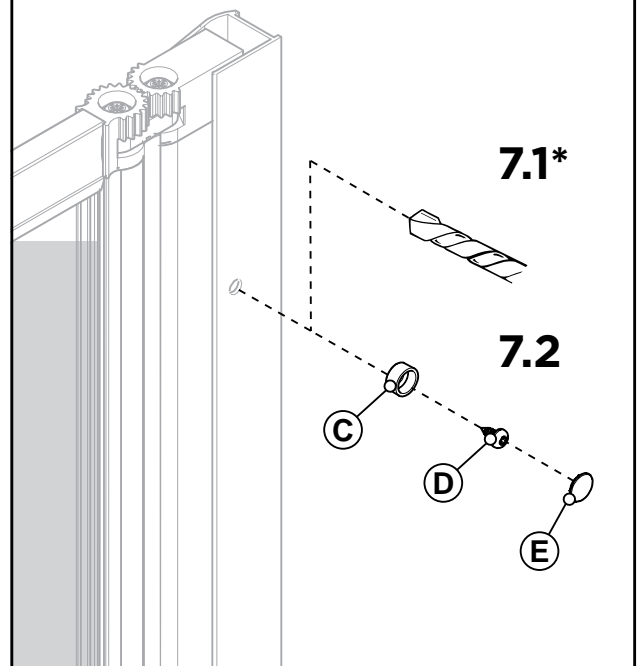
Inside View

7



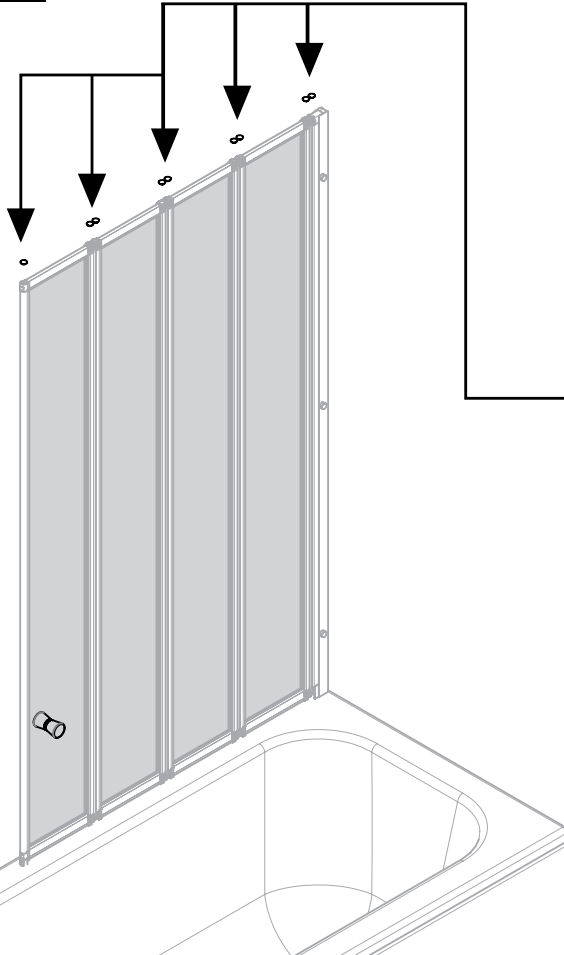
Inside View

* 3mm dia. holes through pre-drilled wall channel holes using HSS drill bit



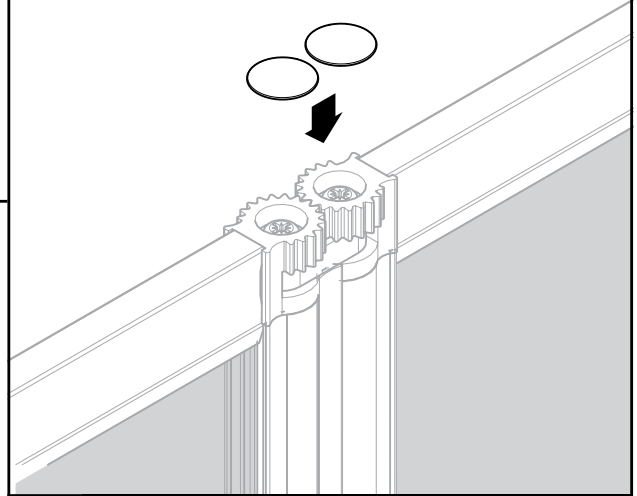
Inside View

8



Inside View

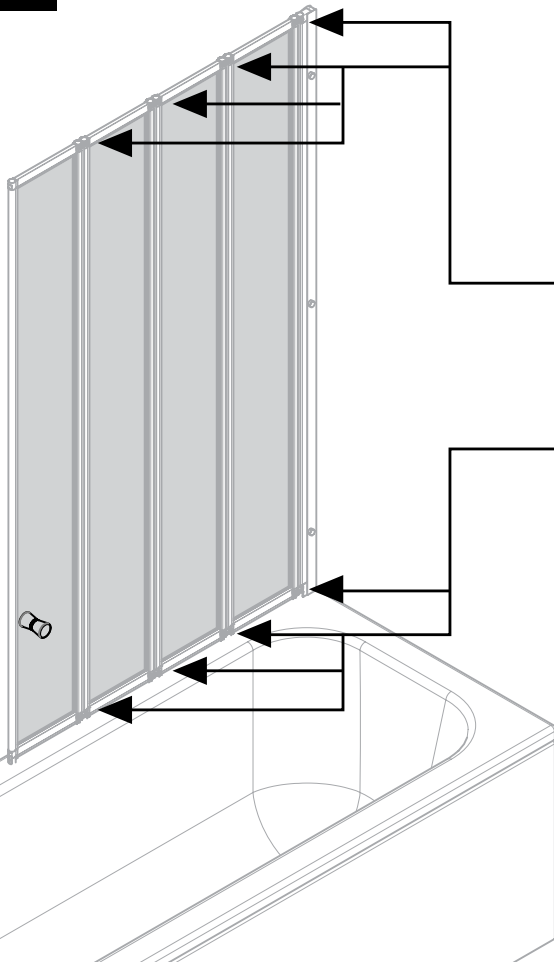
8.1



Push fit Hinge Screw Cover Caps.

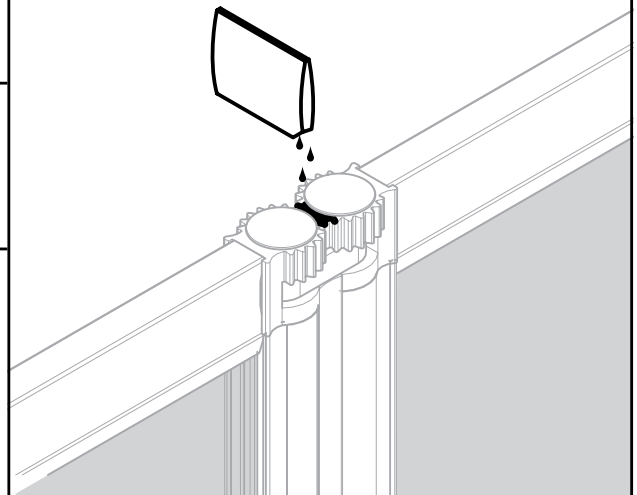
Inside View

9



Inside View

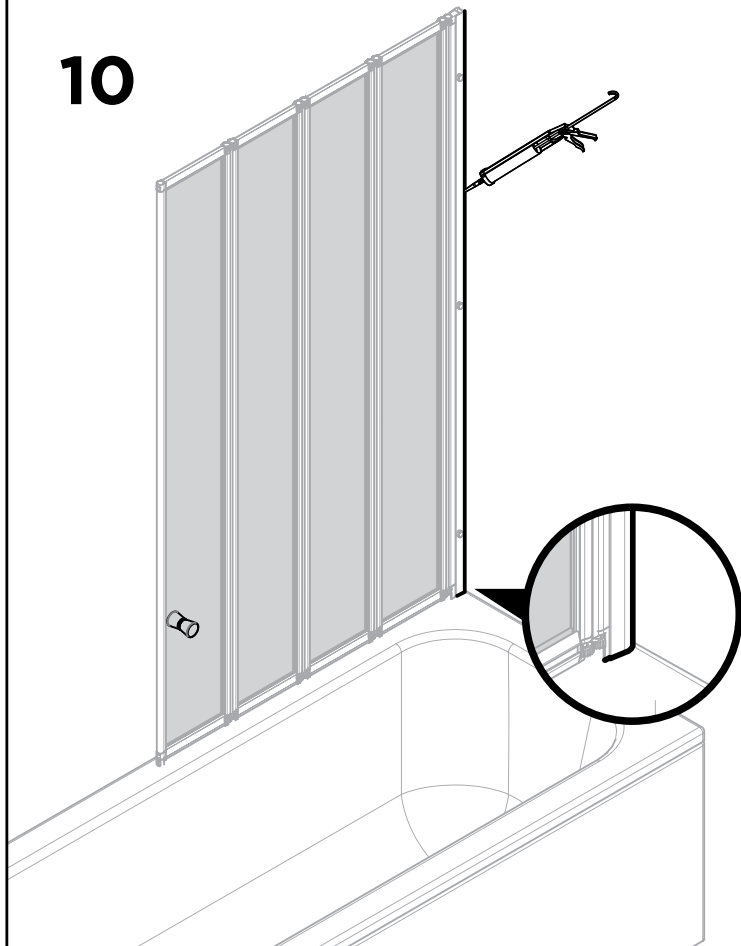
9.1



Apply a small amount of Silicone Grease from sachet (supplied) to the hinge mouldings.

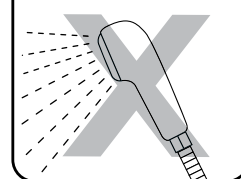
Inside View

10

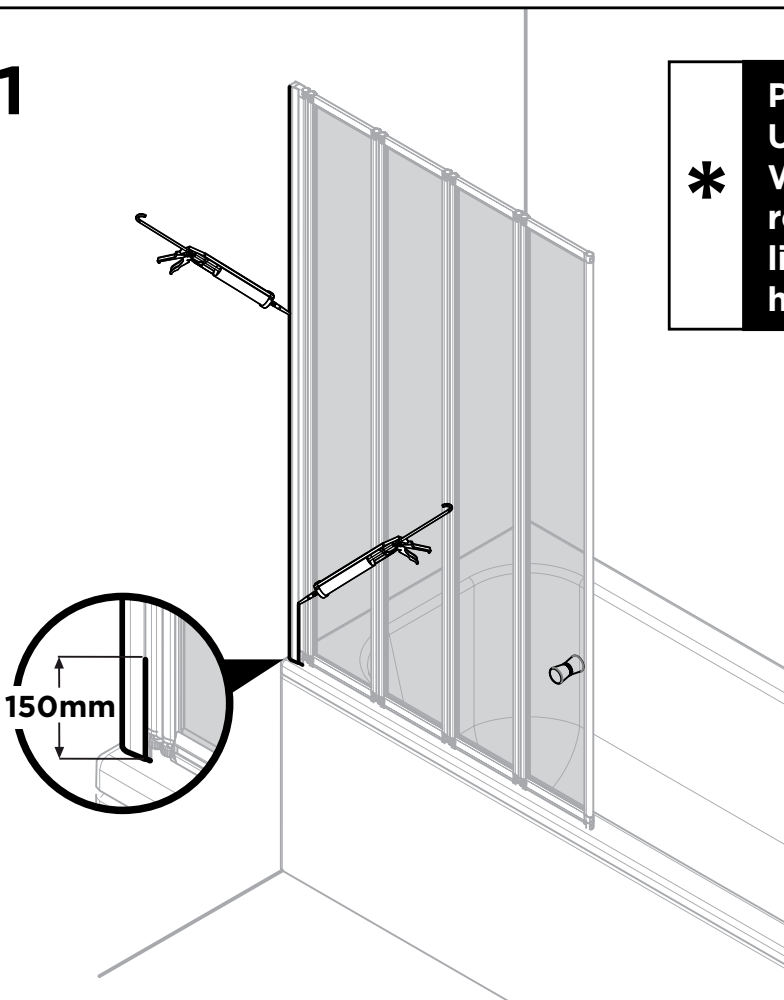


**Apply Silicone Sealant,
(not supplied).**

24 hour



11



Product Care:
* **Use a non abrasive cleaner.
Water marks may be
removed with a proprietary
limescale remover or
household vinegar.**

24 hour



**Apply Silicone Sealant,
(not supplied).**