



Refuge Combo Shower System

Model #3006-BN, 3006-CH, 3006-MB, 3006-ORB

Model #3006-BN-1.8GPM, 3006-CH-1.8GPM, 3006-MB-1.8GPM, 3006-ORB-1.8GPM

PW-93006-8125BRN, PW-93006-8125CP, PW-93006-8125BM, PW-93006-8125BRZ

PW-93006-8118BRN, PW-93006-8118CP, PW-93006-8118BM, PW-93006-8118BRZ

Owner's Manual



Refuge Combo Shower System

Please Read The Following Instructions COMPLETELY Before Beginning!

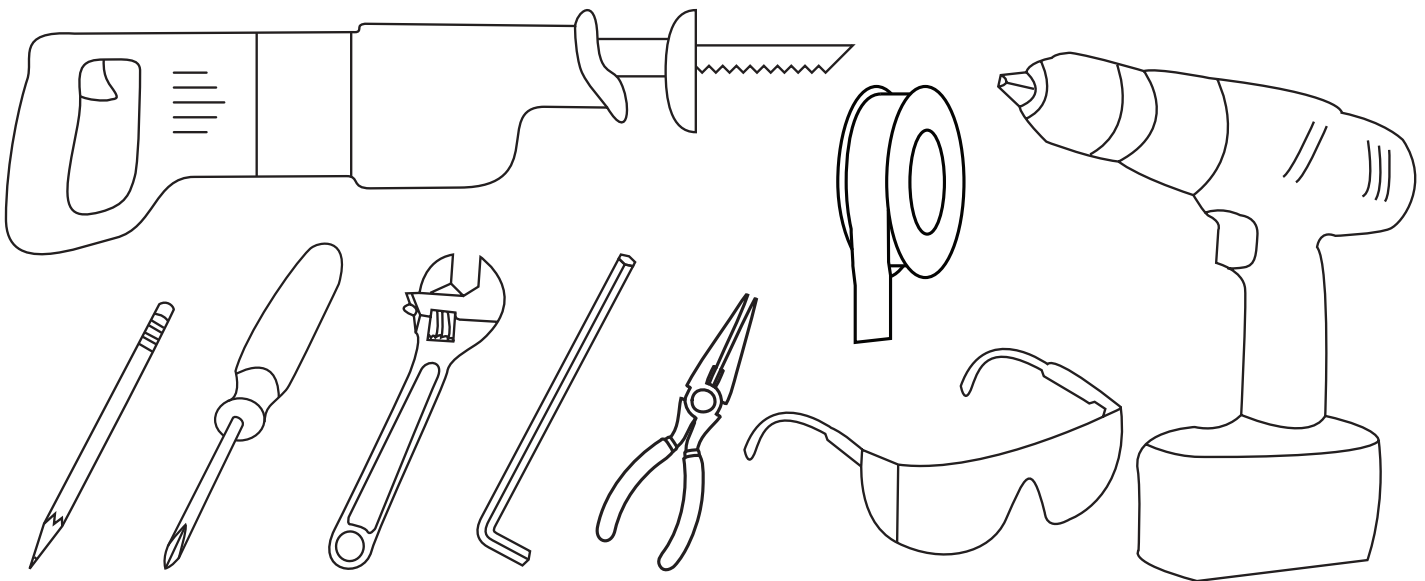
Our goal is to ensure your installation goes smoothly and safely. Please read these instructions carefully and follow recommendations for plumbing and mounting. After reading instructions, if you determine you do not have the necessary skills and/or tools, we recommend that a licensed plumbing contractor complete the installation.

If you encounter any problems during installation
PLEASE VISIT CUSTOMER SUPPORT AT
WWW.PULSESHOWERSPAS.COM
Before returning your valve to the store

You Will Need The Following Tools

Soft pencil or felt pen to mark tile
Allen wrench
Safety glasses
Phillips screwdriver

Reciprocating saw w/metal cutting blade (Sawzall®)
Channel locks or adjustable wrench
Drill (Preferably cordless)
Plumber's Tape

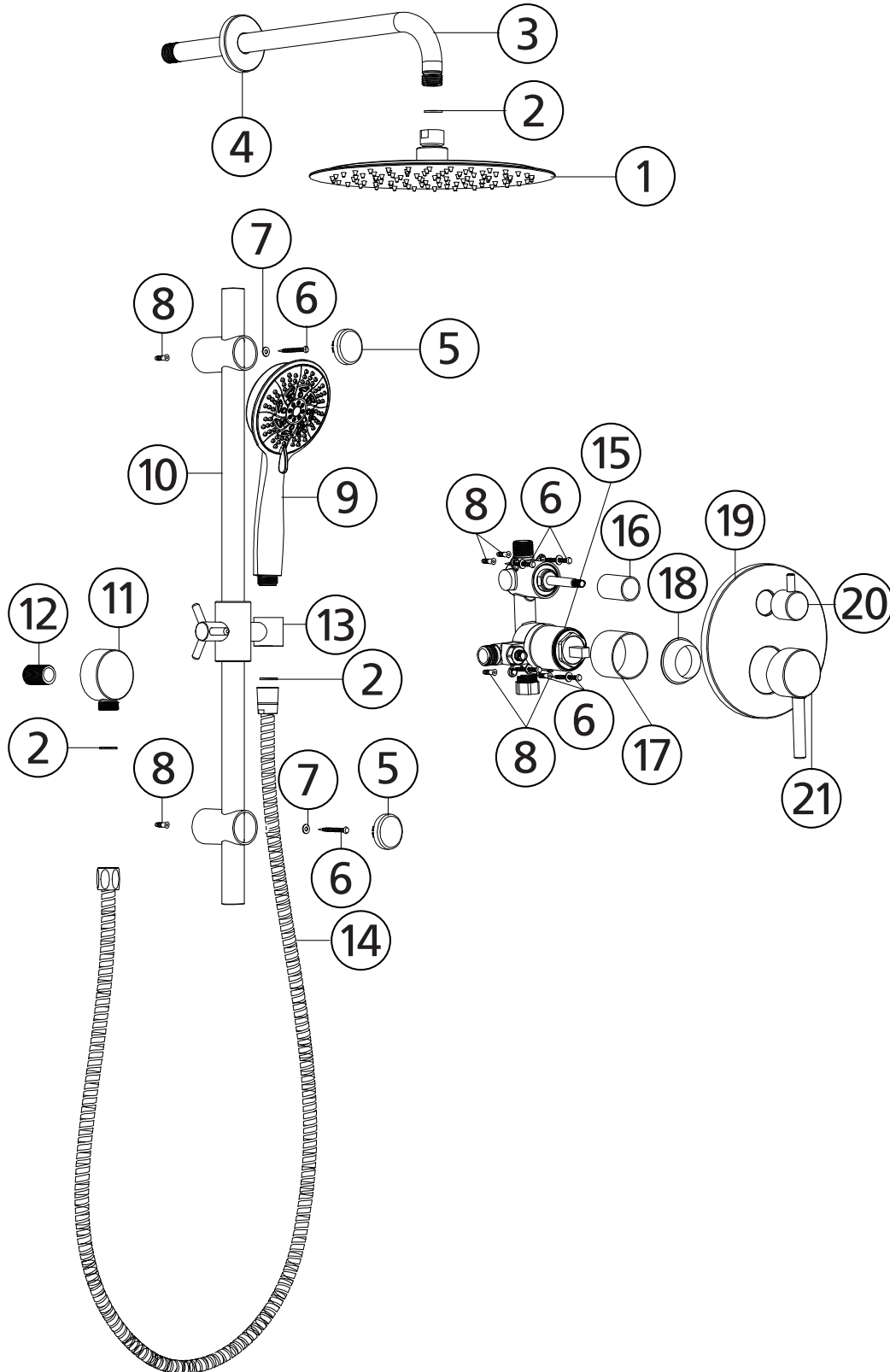


Parts Legend

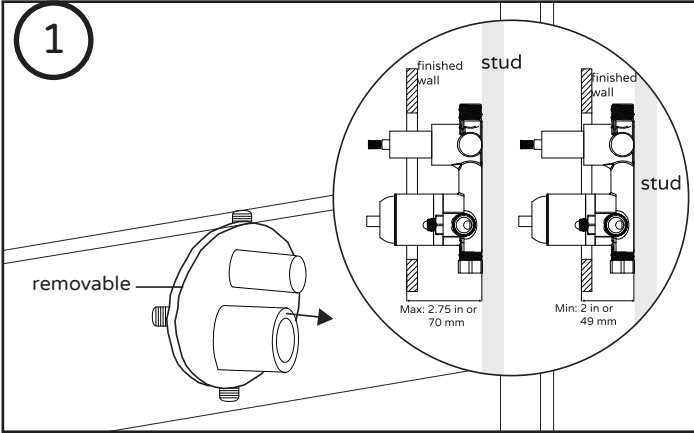
- 1. Showerhead
- 2. Washer.....(3)
- 3. Shower Arm
- 4. Escutcheon
- 5. Cap
- 6. Mounting Screws.....(6)
- 7. Gasket.....(6)

- 8. Wall Anchors.....(2)
- 9. Handshower
- 10. Slide Bar
- 11. Wall Connector
- 12. Nipple
- 13. Handshower Holder
- 14. Hose

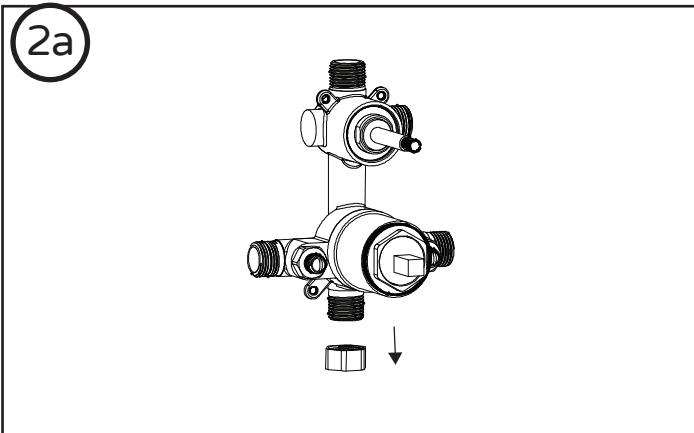
- 15. Valve
- 16. Diverter Valve Sleeve
- 17. Valve Cartridge Sleeve
- 18. Valve Cartridge Nut
- 19. Valve Trim
- 20. Diverter Handle
- 21. Valve Handle



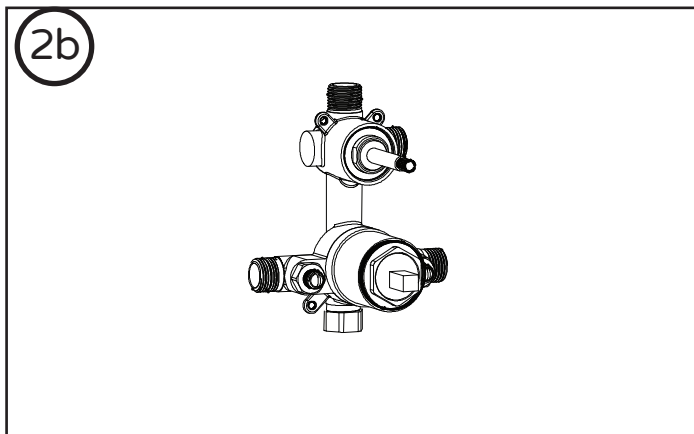
Installation Instructions



Confirm the installation position and remove the plaster guard.

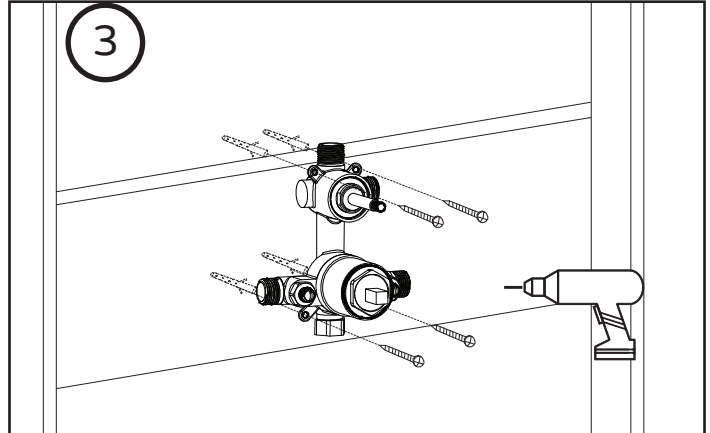


If there is a bath tub, remove the tub spout cap. Apply plumbers tape on all joint threads needed.

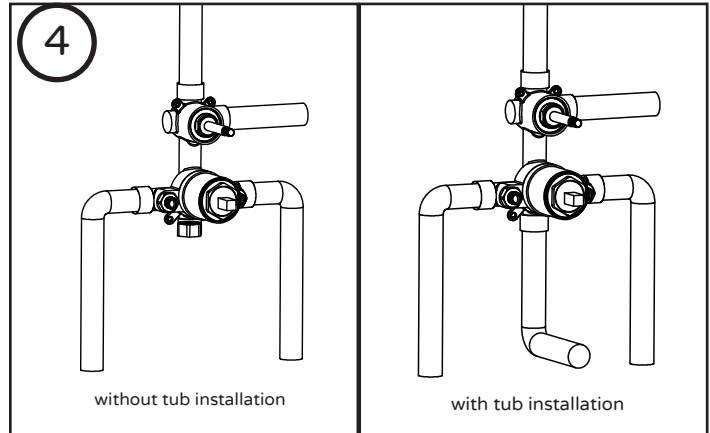


If no tub, keep the tub spout cap. Apply plumbers tape on all joint threads needed.

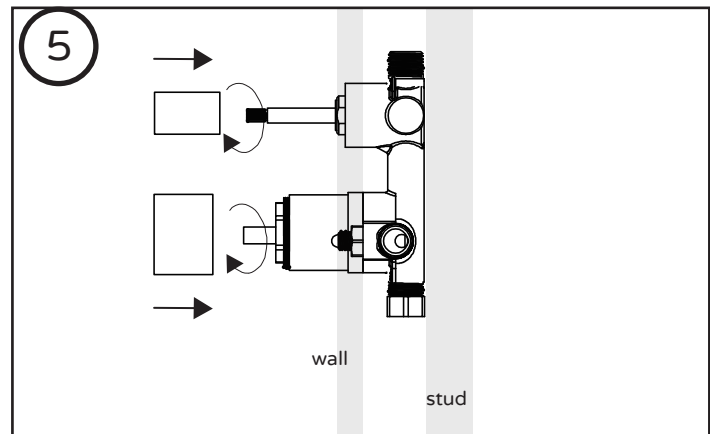
 If welding, plumbers tape is not necessary.



Drill screws to stud to fix main valve body.

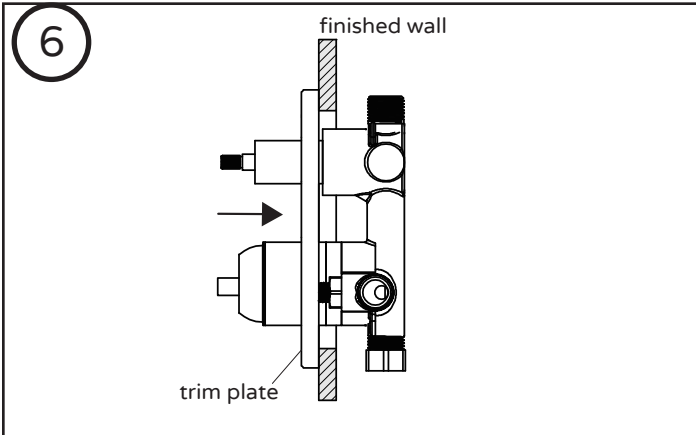


Connect the supply line to the valve, turn main water valve on and confirm there is no water leakage.

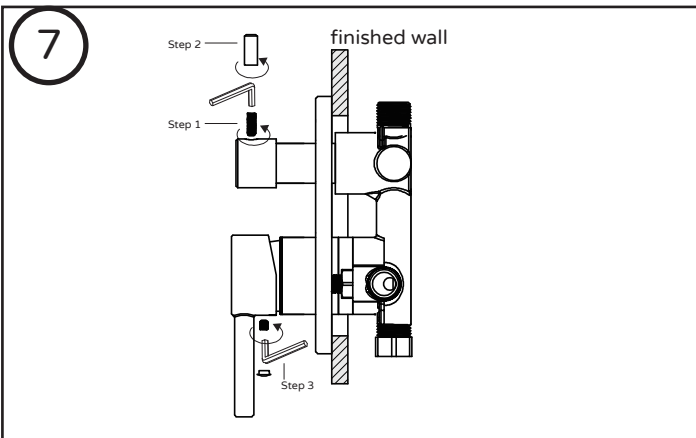


Install diverter trim sleeve and valve trim sleeve. Screw in trim nut.

Installation Instructions



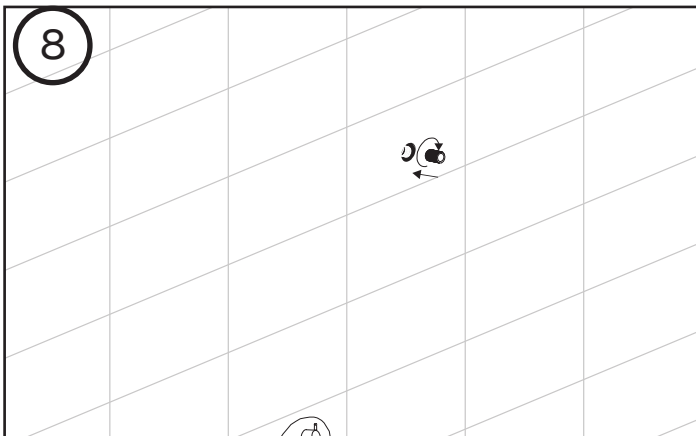
After finished wall, install valve trim plate. We recommend caulking around the trim.



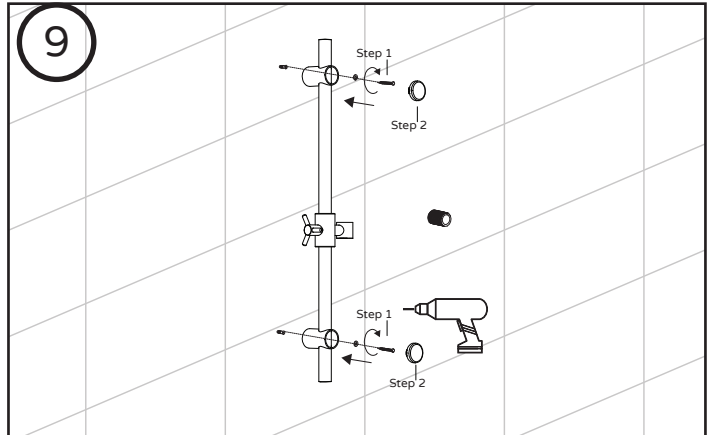
[Step 1] Insert allen wrench into diverter threaded pin and thread to diverter body. Place on top of diverter cartridge, and thread with allen wrench until secure.

[Step 2] Thread diverter handle onto diverter threaded pin.

[Step 3] Install valve handle and secure with set screw using allen wrench. Place cover over set screw.

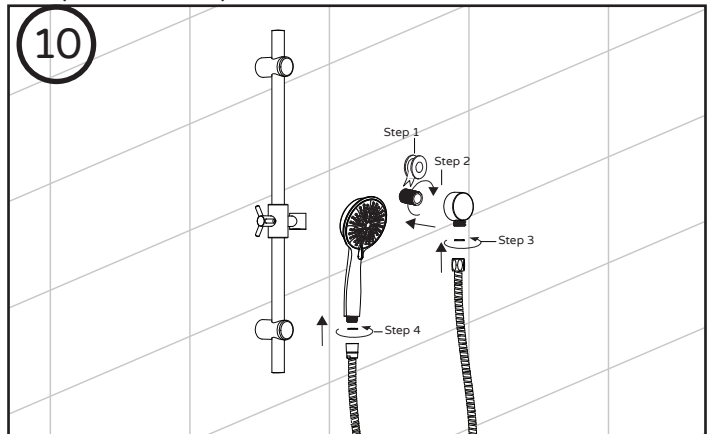


Screw in nipple.



[Step 1] Choose desired position and drill wall anchors into finished wall. Drill in gasket, and mounting screws onto slide bar.

[Step 2] Place cap covers on slide bar.

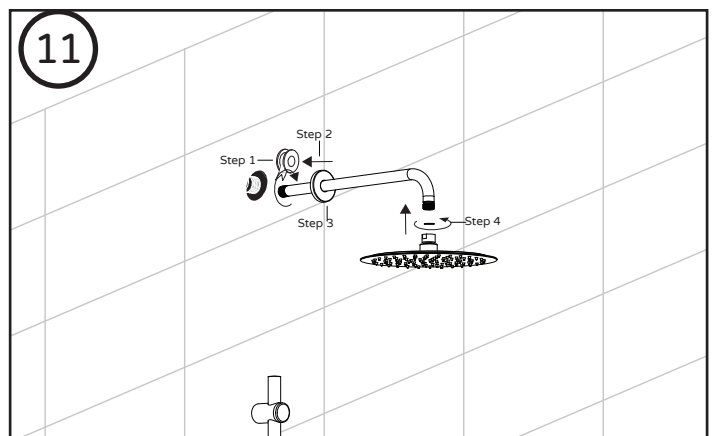


[Step 1] Place plumbers tape on nipple threads.

[Step 2] Screw in wall connector.

[Step 2] Insert rubber washer into hex end of hose and connect to wall connector.

[Step 3] Insert rubber washer into tapered end of hose and connect to handshower. Place in holder.



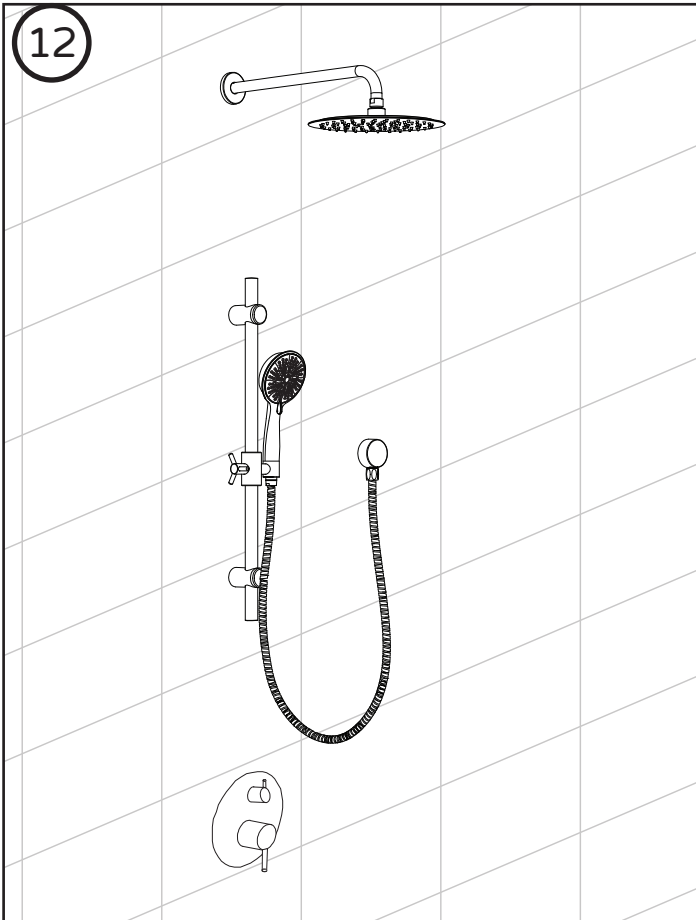
[Step 1] Place plumbers tape on nipple threads.

[Step 2] Screw in shower arm into plumbing and thread.

[Step 3] Slide escutcheon for smooth finish.

[Step 4] Insert washer into showerhead and thread onto shower arm.

Installation Instructions

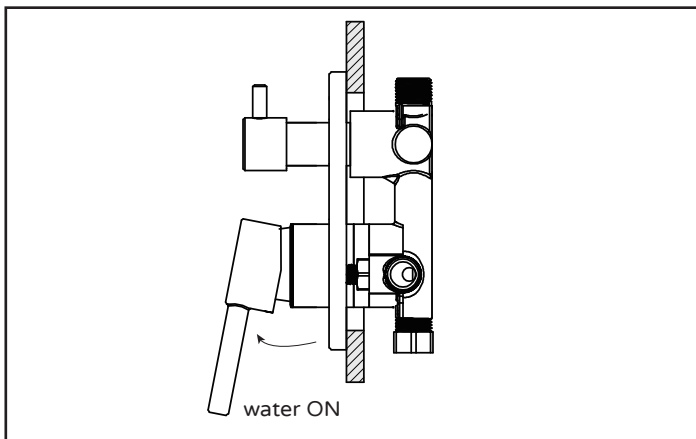


12

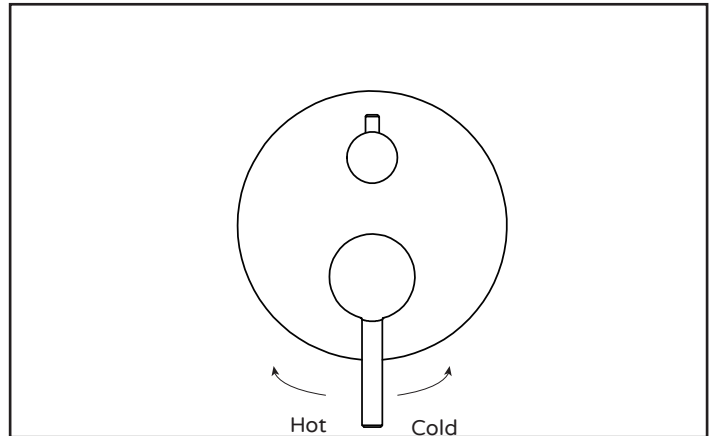
Product fully assembled

OPERATION:

VALVE FUNCTIONS:

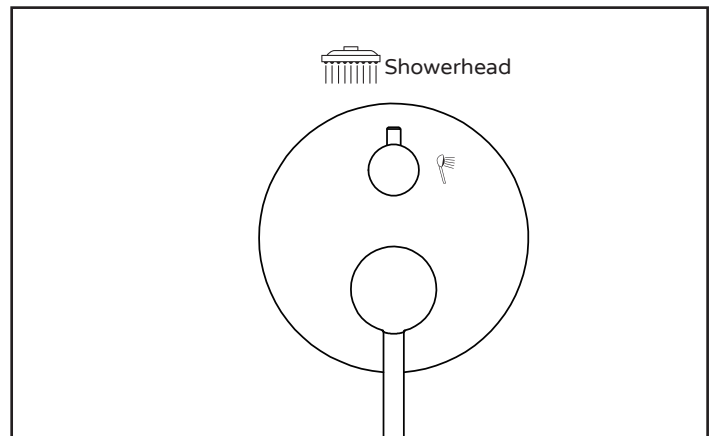


Turning valve ON, lift valve handle up.

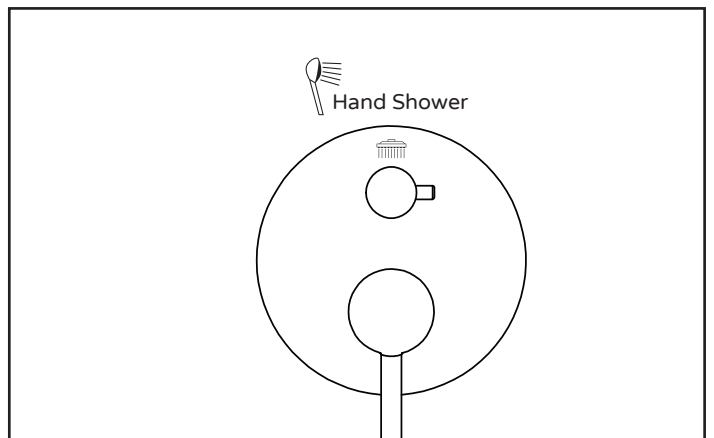


While ON, turn valve handle to the left for HOT and right for COLD.

DIVERTER FUNCTIONS:



Diverter handle facing up for showerhead.



Diverter handle facing to the right for hand shower.

Usage

Diverter valve controls the showerhead and handshower. Refer to drawings on "OPERATION" step.

Always turn cold water on first to help prevent any accidental burning or scalding; especially for children and elderly.

DO NOT use any part of the valve as a support device.

Care and Maintenance

To keep your valve looking new, wipe down after each use with a soft cotton cloth.

Protect your valve from hard water stains and mineral deposits by periodically using an auto spray wax.

Clean using mild liquid soap and a non-abrasive sponge or cloth. Rinse with clean water.

Do Not Use Any Kind Of
Chemicals Or Abrasives!

MANUFACTURER'S LIFETIME LIMITED WARRANTY

1. Defects Covered; Warranty Period: Pulse Shower Spas, Inc. ("Pulse") warrants to the original consumer purchaser who purchases this shower spa (the "Product") for use in his or her own home, that the Product will be free from defects in material and manufacturing workmanship for as long as the original consumer purchaser owns that same home. For all other purchasers (including, but not limited to purchasers for industrial, commercial and business use), the above warranty will apply for a period of 5 years from the original date of purchase.

2. Remedy: If the Product does not conform to the above warranty, Pulse, at its option, will repair or replace the Product, free of charge, or refund your purchase price. For warranty claims, please visit www.pulshowerspas.com/index.php/warranty. Pulse may require that you return the Product to Pulse, shipping prepaid, in which case Pulse will provide you with a return materials authorization number (RMA). Pulse may also require that you provide evidence of the date you purchased the Product. Pulse will ship a new or repaired Product to you, at the expense of Pulse, or refund your purchase price. Service labor performed by you or others in connection with the removal or replacement of the Product will not be reimbursed by Pulse.

3. Exclusions: Pulse shall not be responsible for failure of the Product, and the above warranties will not apply, if the Product fails as a result of improper installation, improper use, modifications or repairs by anyone other than Pulse, or accident or abuse (including damage during shipment).

4. Warranty on Repairs and Replacements: For consumer purchasers who purchased the Product for home use, repaired or replacement Products will continue to be covered under this warranty for as long as he or she owns that same home. For other purchasers, repaired or replacement Products will be covered for the balance of the original warranty period.

5. No Other Warranties; Limitation of Liability: OTHER THAN THE LIFETIME LIMITED WARRANTY STATED ABOVE, PULSE DISCLAIMS ALL OTHER WARRANTIES, EXPRESS OR IMPLIED, INCLUDING BUT NOT LIMITED TO WARRANTIES OF MERCHANTABILITY AND FITNESS FOR A PARTICULAR PURPOSE, TO THE EXTENT PERMITTED BY APPLICABLE LAW. THE REMEDIES STATED ABOVE ARE YOUR SOLE REMEDIES IN CONNECTION WITH THIS WARRANTY. IN NO EVENT WILL PULSE BE LIABLE TO YOU FOR ANY DAMAGES, WHETHER DIRECT, INDIRECT, INCIDENTAL, SPECIAL OR CONSEQUENTIAL, INCLUDING BUT NOT LIMITED TO LOST PROFITS OR BUSINESS INTERRUPTION, ARISING OUT OF OR RELATING TO THE PRODUCT OR ITS USE, WHETHER UNDER A CONTRACT, WARRANTY, TORT, OR ANY OTHER CAUSE OF ACTION, EVEN IF PULSE HAS BEEN ADVISED OF THE POSSIBILITY OF SUCH DAMAGES. NOTWITHSTANDING THE TERM OF ANY LIMITED OR IMPLIED WARRANTY, OR IN THE EVENT THAT ANY LIMITED WARRANTY FAILS OF ITS ESSENTIAL PURPOSE, IN NO EVENT WILL PULSE'S ENTIRE LIABILITY EXCEED THE PURCHASE PRICE OF THE PRODUCT. SOME STATES AND PROVINCES DO NOT ALLOW THE EXCLUSION OR LIMITATION OF INCIDENTAL OR CONSEQUENTIAL DAMAGES SO THE ABOVE LIMITATIONS OR EXCLUSIONS MAY NOT APPLY TO YOU. THIS LIMITED WARRANTY GIVES YOU SPECIFIC LEGAL RIGHTS, AND YOU MAY ALSO HAVE OTHER RIGHTS WHICH VARY FROM STATE TO STATE AND PROVINCE TO PROVINCE.

