

2953 WHEELCHAIR ACCESS

29" x 53"

Key Attributes

Walk-in Type: Wheelchair Accessible
 Material: Acrylic
 Soaker Weight: 140 lbs
 Jetted Weight: 175 lbs
 Average Fill Capacity*: 80-90 gal
 *Estimated with occupant inside. May vary based on occupant's volume.

Required Electrical

Service 110v

Air Bath or Whirlpool..... 1x 15 amp GFCI
 Whirlpool w/ Inline Heater..... 1x 20 amp GFCI
 Whirlpool & Air Jetted..... 1x 20 amp GFCI
 Soaker..... n/a

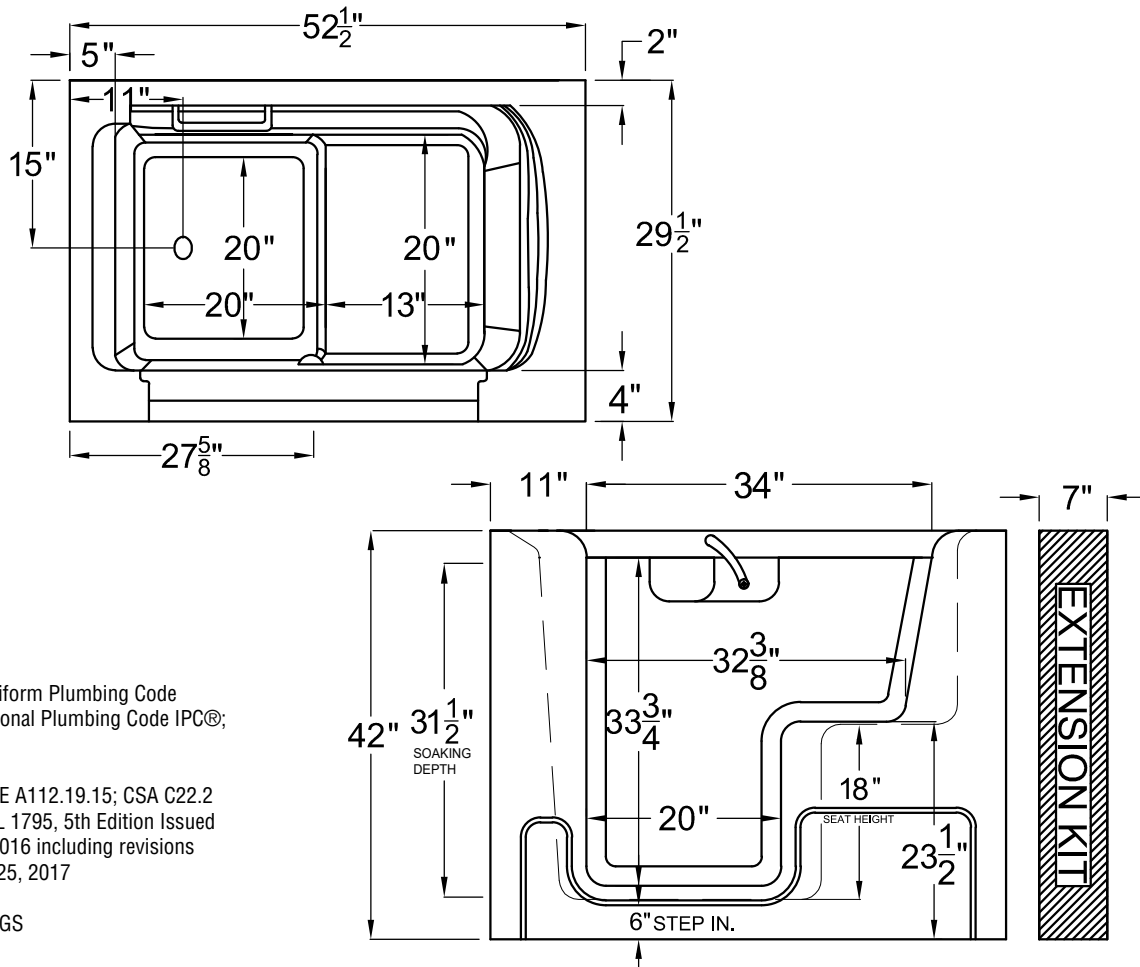
Available Therapy Systems

2953WCA**S Non-Jetted Soaking
 2953WCA**H..... Whirlpool Jetted
 2953WCA**A Air Jetted
 2953WCA**D..... Whirlpool & Air Jetted

Key Measurements (inches)

Overall Outer: 52.5 x 29.5 x 42
 Interior Width: 23.5
 Standing Area: 20 x 20
 Seat Width: 20
 Seat Height: 18
 Soaking Depth: 31.5
 Drain to Side Wall: 11
 Drain to Back Wall: 15
 Step-in Height: 6
 Door Clearance: n/a
 Faucet Deck: 5
 Tile Flange: 1.2
 Extension Kit: 7

It is vital that tub is completely level with all leveling feet touching the floor for the door, seal and drain to work properly.



Compliance: Uniform Plumbing Code
 UPC®;; International Plumbing Code IPC®;
 ADA

Standards: ASME A112.19.15; CSA C22.2
 No. 218.2-15; UL 1795, 5th Edition Issued
 September 02, 2016 including revisions
 through August 25, 2017

Certified: UPC, EGS

- **IMPORTANT!** TEST THE TUB'S DRAIN AND JETS (if any) BEFORE PERMANENT INSTALLATION!
- **INSPECT THE TUB WHEN RECEIVED!** Report any damages or missing parts within 5 business days of delivery date.
- Before ordering or installing, please consider future access to equipment.
- **Please measure tub on-site before building tub surrounding!**
- Jet, pump & blower locations are predetermined and cannot be changed.
- Tub door must remain closed when not in use.
- Please note that installer(s) must be certified or warranty will be voided.
- Measurements are subject to a +/- .5" variance and subject to change without notice. Measurements here in supersede all other published specs prior to publication date shown below.
- Inline heater (if included) is designed to maintain water temperature during operation. It will not heat cold water to desired bathing temperature.
- Product must be registered for warranty activation. See user manual or visit SWCORP.com/register for more information.