



Eclipse ShowerSpa

Model # 1060MB-BA-1.8GPM, 1060MB-BA, 1060MB-SSB-1.8GPM, 1060MB-SSB

PW-91060-4218BB, PW-91060-4225BB, PW-91060-4218BSS, PW-91060-4225BSS

Owner's Manual



Please Read The Following Instructions COMPLETELY Before Beginning!

Our goal is to ensure your installation goes smoothly and safely. Please read these instructions carefully and follow recommendations for plumbing and mounting. After reading instructions, if you determine you do not have the necessary skills and/or tools, we recommend that a licensed plumbing contractor complete the installation.

If you encounter any problems during installation
PLEASE VISIT CUSTOMER SUPPORT AT
WWW.PULSESHOWERSPAS.COM
Before returning your ShowerSpa to the store

You Will Need The Following Tools (NOT INCLUDED)

Soft pencil or felt pen to mark tile

Safety glasses

Tape measure

Level

Channel locks or adjustable wrench

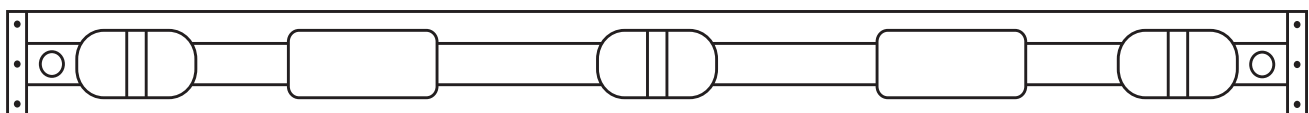
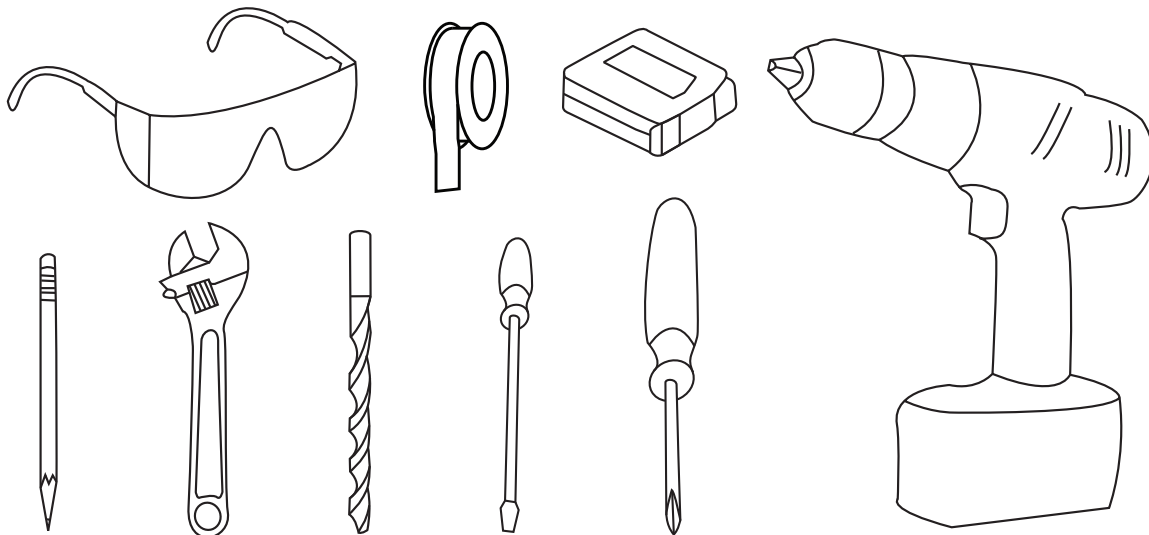
Drill (preferably cordless)

Masonry drill bit

Plumber's Tape

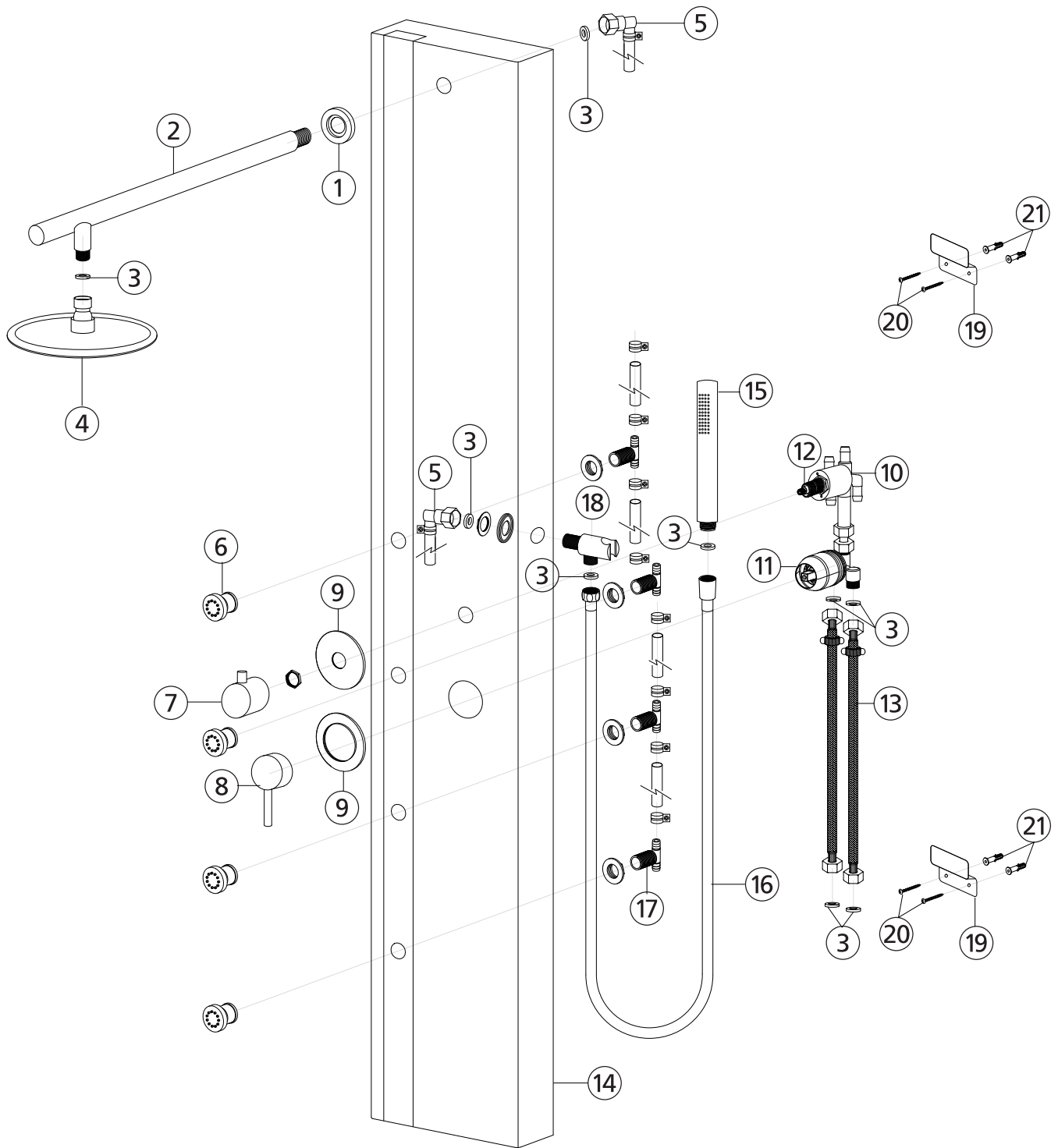
Slotted Screwdriver

Phillips Screwdriver



Parts Legend

- | | | |
|----------------------|----------------------------|-----------------------------|
| 1. Escutcheon | 8. Valve Handle | 15. Wand |
| 2. Shower Arm | 9. Valve Trim | 16. Hose |
| 3. Washer.....(9) | 10. Diverter Body | 17. Jet Body.....(4) |
| 4. Showerhead | 11. Pressure Balance Valve | 18. Wand Holder |
| 5. Fitting.....(2) | 12. Diverter Cartridge | 19. Shower Brackets.....(2) |
| 6. Body Jets.....(4) | 13. Flex Hose.....(2) | 20. Screws.....(4) |
| 7. Diverter Handle | 14. ShowerSpa | 21. Wall Anchors.....(4) |



Installation Instructions

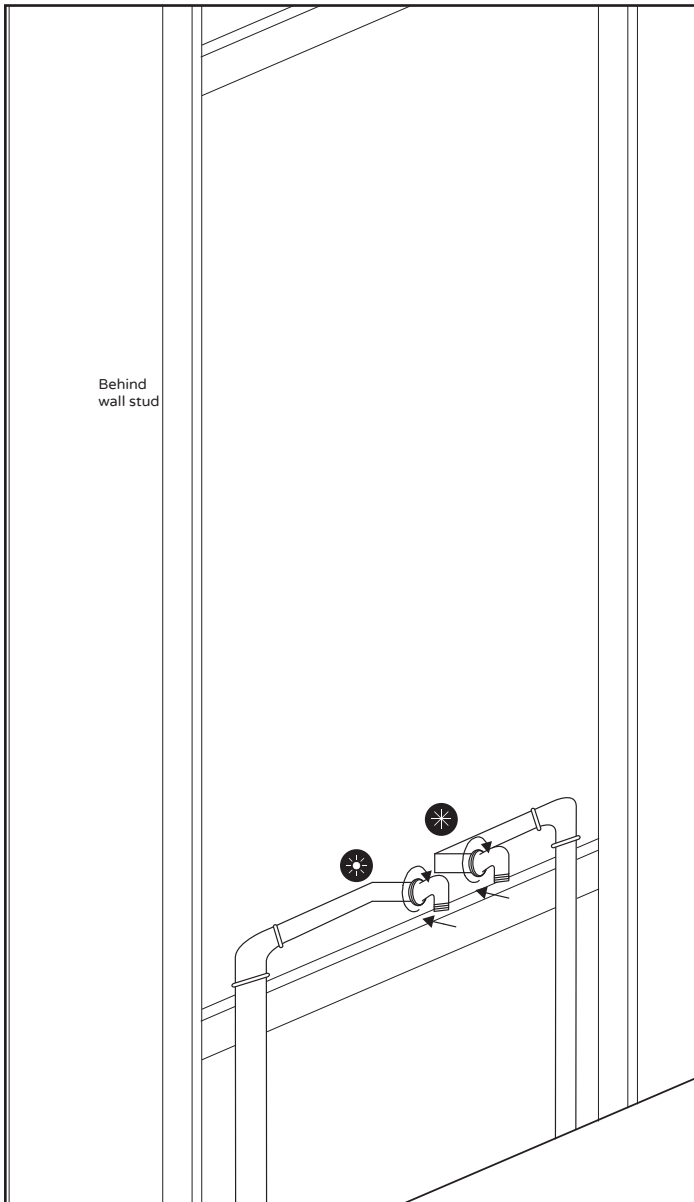
BEFORE YOU BEGIN

Measure the following to ensure your ShowerSpa will fit properly.

Professional installation may be required.

Shut off main water supply

New Construction



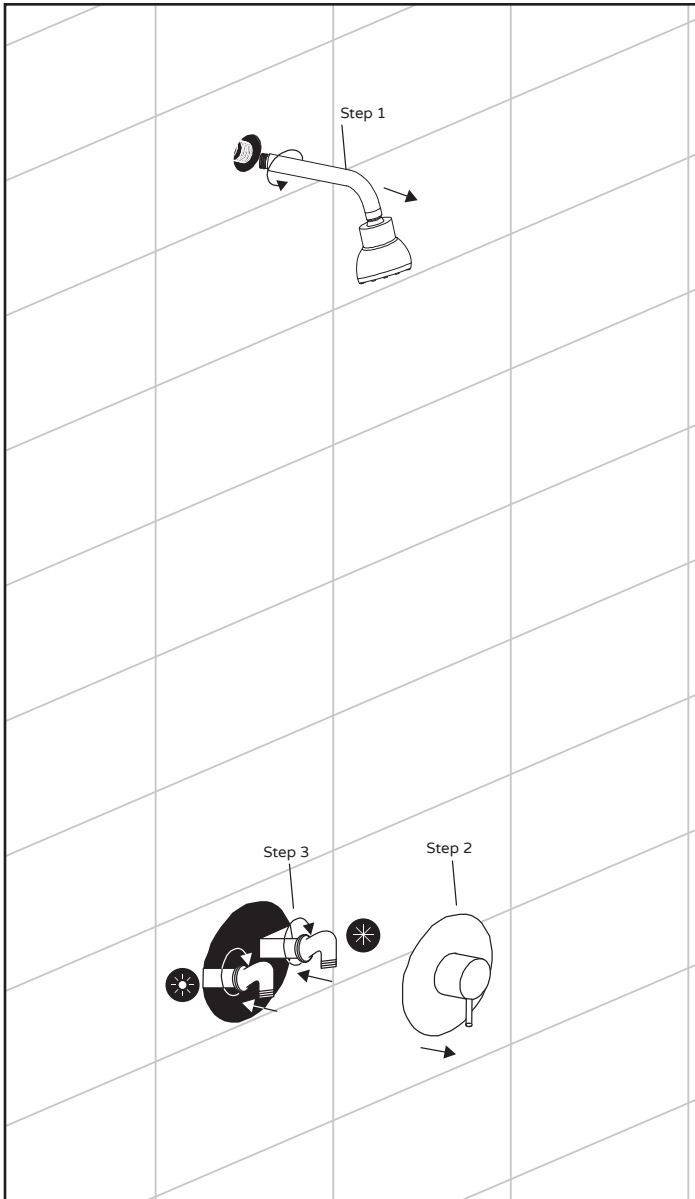
Preparation for installation:

1. This product can only be installed after having plumbing water supply cold and hot water to the wall. They should be placed where you want to install the shower panel.
2. Check that all the parts are available.
3. Before mounting, turn off the main water supply. Please note, this step is very important because it avoids the risk of flooding in your bathroom.
4. Connect an elbow fitting to the hot and cold water connection stub out.*
5. We advise you to clean dirt and residue deposits, before starting the installation of the shower column.
6. Determine the ideal height of the shower column according to your height and bathroom space.

* At the wall outlet, we recommend to put an elbow down position so that the flexible hose is not folded at right angles.

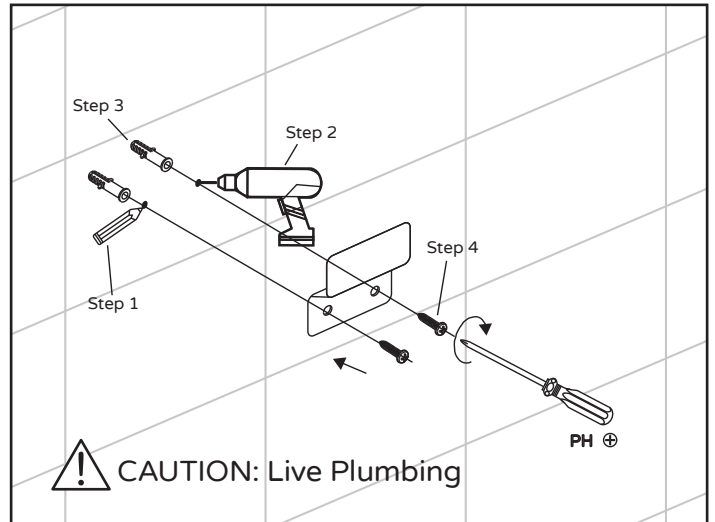
Installation Instructions

Retrofit



- [Step 1] Remove existing shower arm and showerhead. Seal top water supply line.
- [Step 2] Remove existing valve and trim.
- [Step 3] Stub out hot and cold water pipe, install an 90 degree elbow fitting (not provided) pointing down.

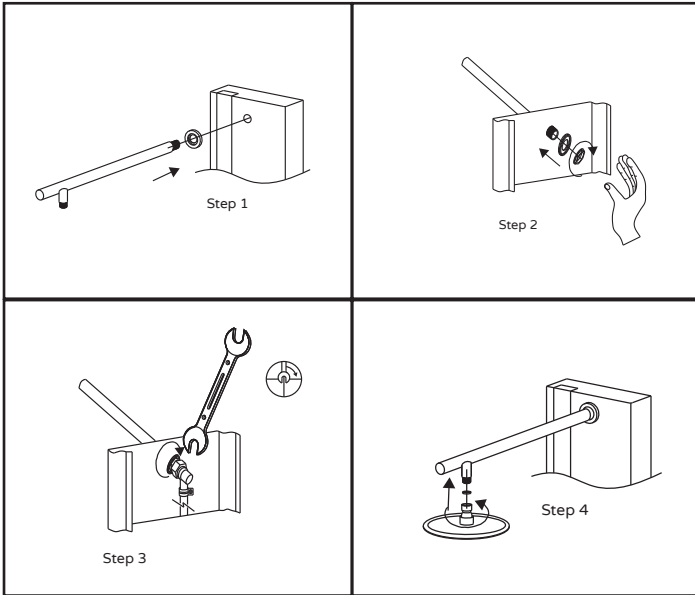
1



- [Step 1] After determining the ideal height for the wall brackets, mark the drill marks according to the distance of the holes in the shower brackets.
- [Step 2] Using a drill, drill the marked holes, being careful not to damage the supply piping.
- [Step 3] Insert wall anchors into the holes. Be sure to clean off any residue before placing them.
- [Step 4] Align shower brackets into position. Place screws in the holes of the shower brackets and screw them into the wall anchors. Tighten screws enough to hold shower brackets securely.

Installation Instructions

2 Shower arm and showerhead assembly



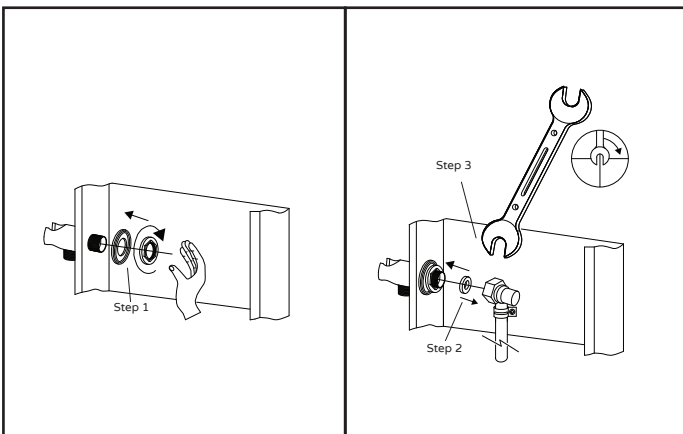
[Step 1] Place escutcheon (1) between the shower arm (2) and ShowerSpa (14).

[Step 2] Inside the ShowerSpa (14), place a washer (3) and screw in the fitting (5).

[Step 3] Connect the hose (16) to the shower arm (2). DO NOT OVERTIGHTEN.

[Step 4] Screw showerhead (4) onto shower arm (2).

3 Hand shower holder assembly

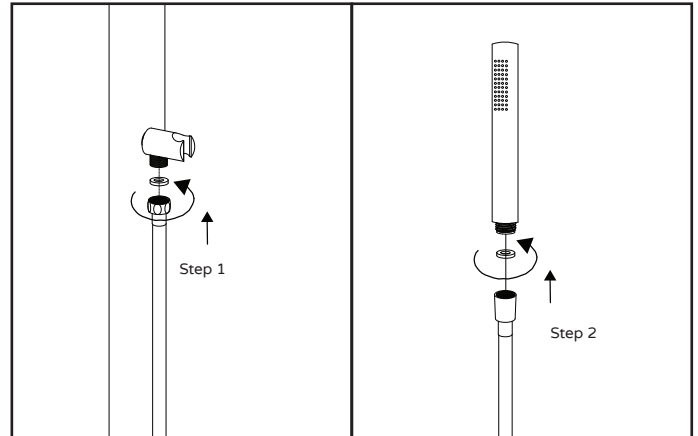


[Step 1] Place wand holder (18) into the side of the ShowerSpa (14).

[Step 2] Inside the ShowerSpa (14), place washer (3) into fitting (5).

[Step 3] Screw fitting (5) into wand holder (18). DO NOT OVERTIGHTEN

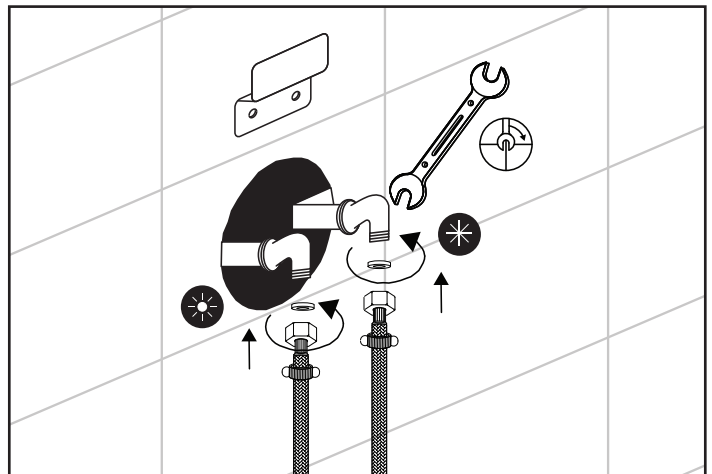
4



[Step 1] Insert washer (3) into the hex end of the wand hose (16). Attach hose to wand holder (18) located on the right side of ShowerSpa (14).

[Step 2] Insert washer (3) into the tapered end of the wand hose (16) and attach the wand (15). Place the tapered end of the hose into the wand holder (18).

5

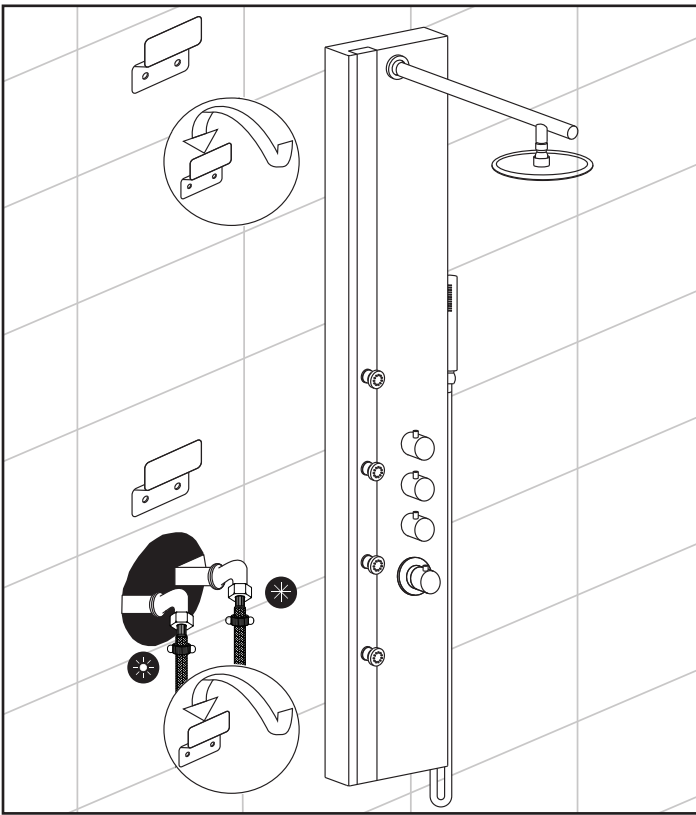


At the back of the ShowerSpa (14), connect the hot/cold flex hose (13) supply line to the plumbing. Be sure to connect hot and cold water properly.

Turn on water and check for any leaks.

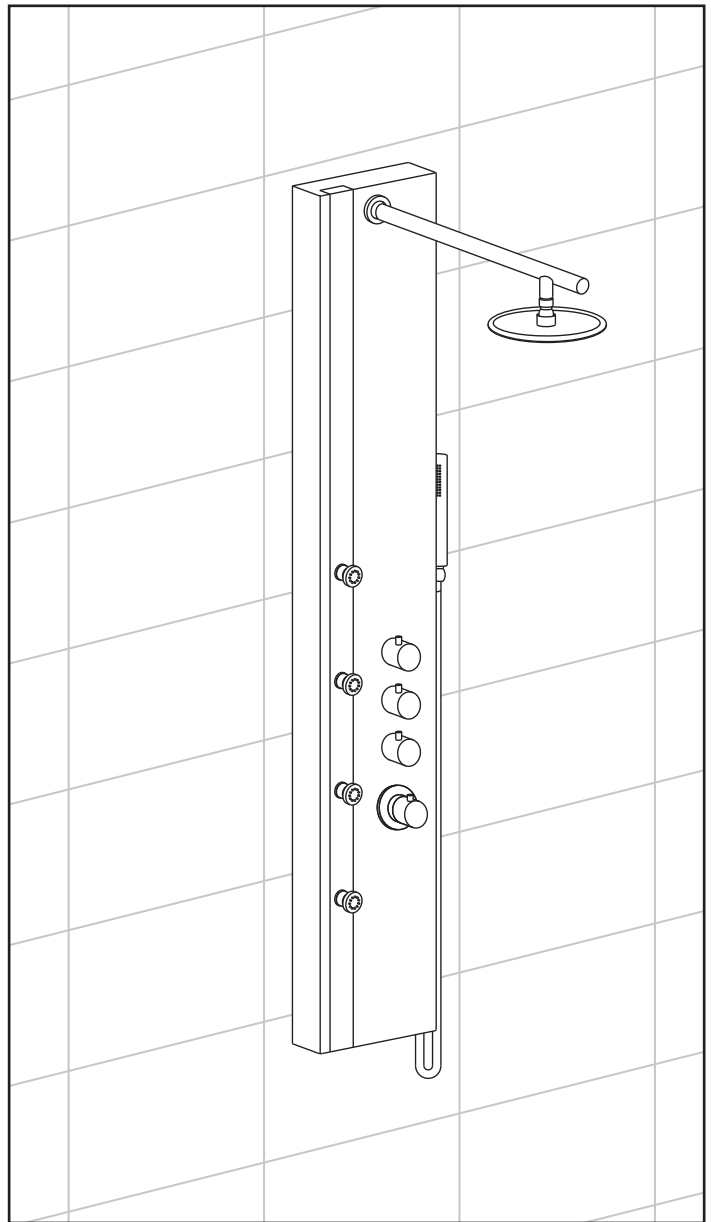
Installation Instructions

6




Hang the ShowerSpa (14) on the shower brackets (19). The ShowerSpa (14) should sit easily on the top and bottom bracket.

7



Product Fully Assembled

 Before use, make sure the ShowerSpa (14) is properly connected. Restore the water supply and check the tightness of the assembly. Always remember to turn the valve handle to "off" after every use.

Usage

Diverter valve controls the showerhead, handshower, and body jets functions. Turn diverter to change between functions.

Always turn cold water on first to help prevent any accidental burning or scalding; especially for children and elderly.

This ShowerSpa is equipped with Spray Straight™ technology in the tips of the showerhead and hand shower. If the stream becomes obstructed from mineral deposits, simply rub the soft tips with your finger to loosen the deposits.

DO NOT use any part of the ShowerSpa as a support device.

Care and Maintenance

To keep your ShowerSpa looking new, wipe down after each use with a soft cotton cloth.

Protect your ShowerSpa from hard water stains and mineral deposits by periodically using an auto spray wax.

Clean using mild liquid soap and a non-abrasive sponge or cloth. Rinse with clean water.

If the flow rate of your ShowerSpa is less than desired or reduces over time, flow restrictors located in the inlet fitting can be removed for cleaning. If further assistance is required please contact customer support at www.PulseShowerSpas.com

**Do Not Use Any Kind Of
Chemicals Or Abrasives!**

MANUFACTURER'S LIFETIME LIMITED WARRANTY

1. Defects Covered; Warranty Period: Pulse Shower Spas, Inc. ("Pulse") warrants to the original consumer purchaser who purchases this shower spa (the "Product") for use in his or her own home, that the Product will be free from defects in material and manufacturing workmanship for as long as the original consumer purchaser owns that same home. For all other purchasers (including, but not limited to purchasers for industrial, commercial and business use), the above warranty will apply for a period of 5 years from the original date of purchase.

2. Remedy: If the Product does not conform to the above warranty, Pulse, at its option, will repair or replace the Product, free of charge, or refund your purchase price. For warranty claims, please visit www.pulshower spas.com/index.php/warranty. Pulse may require that you return the Product to Pulse, shipping prepaid, in which case Pulse will provide you with a return materials authorization number (RMA). Pulse may also require that you provide evidence of the date you purchased the Product. Pulse will ship a new or repaired Product to you, at the expense of Pulse, or refund your purchase price. Service labor performed by you or others in connection with the removal or replacement of the Product will not be reimbursed by Pulse.

3. Exclusions: Pulse shall not be responsible for failure of the Product, and the above warranties will not apply, if the Product fails as a result of improper installation, improper use, modifications or repairs by anyone other than Pulse, or accident or abuse (including damage during shipment).

4. Warranty on Repairs and Replacements: For consumer purchasers who purchased the Product for home use, repaired or replacement Products will continue to be covered under this warranty for as long as he or she owns that same home. For other purchasers, repaired or replacement Products will be covered for the balance of the original warranty period.

5. No Other Warranties; Limitation of Liability: OTHER THAN THE LIFETIME LIMITED WARRANTY STATED ABOVE, PULSE DISCLAIMS ALL OTHER WARRANTIES, EXPRESS OR IMPLIED, INCLUDING BUT NOT LIMITED TO WARRANTIES OF MERCHANTABILITY AND FITNESS FOR A PARTICULAR PURPOSE, TO THE EXTENT PERMITTED BY APPLICABLE LAW. THE REMEDIES STATED ABOVE ARE YOUR SOLE REMEDIES IN CONNECTION WITH THIS WARRANTY. IN NO EVENT WILL PULSE BE LIABLE TO YOU FOR ANY DAMAGES, WHETHER DIRECT, INDIRECT, INCIDENTAL, SPECIAL OR CONSEQUENTIAL, INCLUDING BUT NOT LIMITED TO LOST PROFITS OR BUSINESS INTERRUPTION, ARISING OUT OF OR RELATING TO THE PRODUCT OR ITS USE, WHETHER UNDER A CONTRACT, WARRANTY, TORT, OR ANY OTHER CAUSE OF ACTION, EVEN IF PULSE HAS BEEN ADVISED OF THE POSSIBILITY OF SUCH DAMAGES. NOTWITHSTANDING THE TERM OF ANY LIMITED OR IMPLIED WARRANTY, OR IN THE EVENT THAT ANY LIMITED WARRANTY FAILS OF ITS ESSENTIAL PURPOSE, IN NO EVENT WILL PULSE'S ENTIRE LIABILITY EXCEED THE PURCHASE PRICE OF THE PRODUCT. SOME STATES AND PROVINCES DO NOT ALLOW THE EXCLUSION OR LIMITATION OF INCIDENTAL OR CONSEQUENTIAL DAMAGES SO THE ABOVE LIMITATIONS OR EXCLUSIONS MAY NOT APPLY TO YOU. THIS LIMITED WARRANTY GIVES YOU SPECIFIC LEGAL RIGHTS, AND YOU MAY ALSO HAVE OTHER RIGHTS WHICH VARY FROM STATE TO STATE AND PROVINCE TO PROVINCE.

