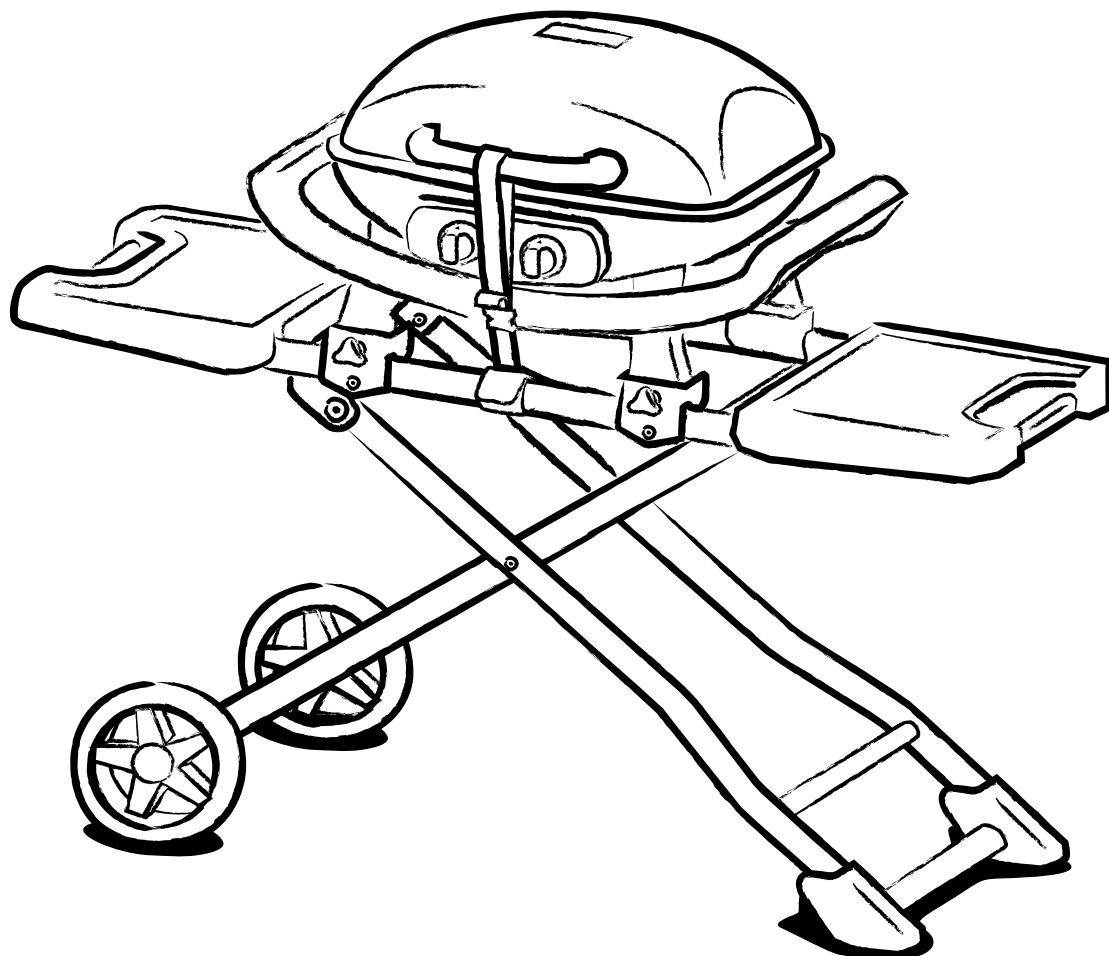




BURNHARD



KLAPPBARER ROLLWAGEN

FÜR GASGRILL WAYNE

FOLDABLE TROLLEY FOR GAS GRILL WAYNE

CONTENT

Technical Specifications	3
Scope of delivery	3
Safety instructions	3
Description of components	5
Assembling Trolley	7
Maintenance	16
Storing Trolley	16
Declaration of conformity	17
Customer service	17
Disposal/Recycling	17

TECHNICAL SPECIFICATIONS

Dimensions (W/H/D) assembled:	120 cm x 69.8 cm x 50.3 cm
Dimensions (W/H/D) folded:	134 cm x 120 cm x 50.3 cm
Weight:	9.1 kg
Includes:	Frame made of robust steel struts 2 synthetic side shelves, max. load of 9 kg each Solid rubber wheels

Subject to changes and errors in features, technology, colours, and design.

SCOPE OF DELIVERY

- Trolley for gas grill WAYNE
- Locking strap
- Bottle opener (pre-assembled)
- Fastenings
- Tools

SAFETY INSTRUCTIONS



Read all instructions and warnings of the trolley and the grill to be mounted before using the appliance.

Failures to adhere to the safety instructions can cause fire and/or serious personal injury.

EXPLANATION OF SYMBOLS



This symbol warns of hazards that can damage the device or cause injury.

INTENDED USE

- The trolley is only intended for the gas grill Wayne (Artikelnr.: 943294) of Burnhard.
- The appliance is for household only, not for steady use in industry.
- Danger to children or persons with limited ability to operate equipment. This appliance is not intended for use by children or persons with limited ability to operate equipment. The appliance may only be used by persons who are able to operate equipment safely.
- Use this appliance as described in the user manual. The manufacturer does not accept liability for any damages to objects and persons caused by failure to follow the instructions.
- Do not modify the appliance in any way. Any changes to the appliance can lead to accidents and invalidate the warranty.

GENERAL SAFETY INSTRUCTIONS

- Assemble the trolley correctly before mounting the gas grill. A correct assembly is important to guarantee stability.
- Mount the gas grill securely on the trolley before using the gas grill. A shifting gas grill can cause loss of control.
- Place the trolley on a fixed, flat horizontal surface. The gas grill cannot be used safely if the trolley shifts or wobbles.
- Do not overload the trolley and do not use the trolley as a ladder. Overloading of the trolley can change the center of gravity to the top and may cause the trolley overturning.
- Make sure that all screws and links are tightened.
- Only mount the gas grill if the trolley is placed securely.
- Note the maximum load of 9 kg per side shelf.
- Do not place your fingers near the hinge points when pushing the trolley together or pulling the trolley apart. Your fingers could be jammed.

INSTRUCTIONS FOR TRANSPORT

- Before using the trolley mode, always secure the grill cover with the locking strap.
- Transport the gas bottle separately from the gas grill.
- Transport the gas bottle upright.
- Secure the gas bottle against shifting and falling.
- Make sure that the valve of the gas bottle is closed and tight.

UNPACKING THE DEVICE



Warning

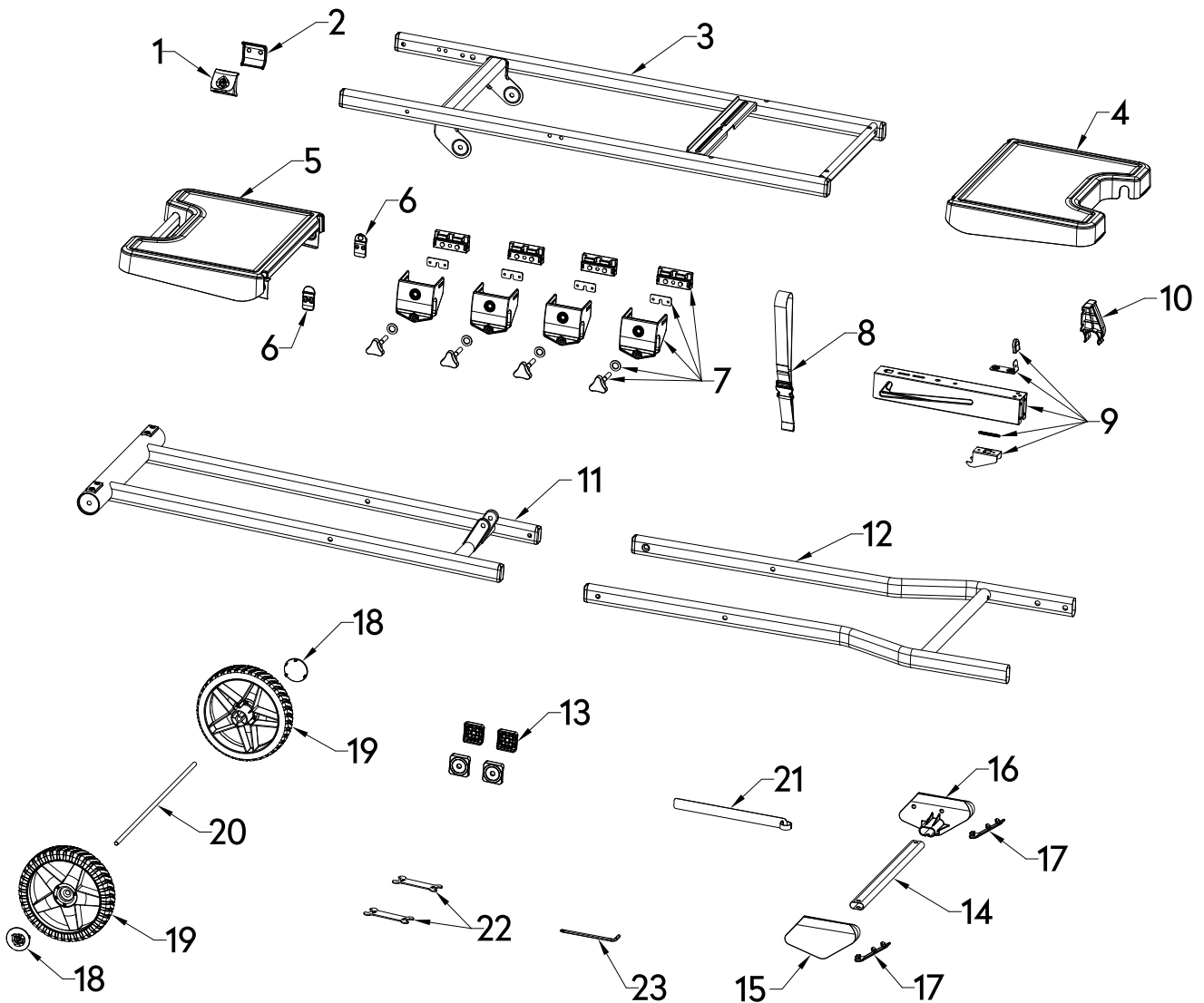
Danger to life through suffocation/ingestion.

- Keep the packaging material away from children.
- Dispose the packaging material immediately.
- Keep small parts out of the reach of children.

1. Unpack the device and check the scope of delivery.
2. Before assembling the device, remove all packaging materials and protective foils from the components.
3. Check the device for damage and proper function.
4. In case of defects, contact the customer service.

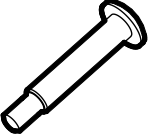






DESCRIPTION OF COMPONENTS

Note that some parts are pre-assembled.

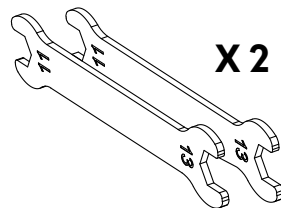
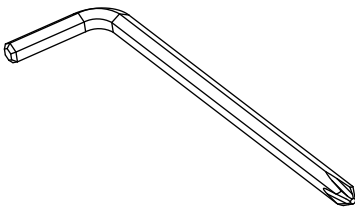


Ref.	Beschreibung	Menge	Ref.	Beschreibung	Menge
1	Bottle opener front shell	1	13	Rubber spacer	4
2	Bottle opener rear shell	1	14	Cart handle	1
3	Frame assembly	1	15	Right front foot cover	1
4	Right side shelf	1	16	Right rear foot cover	1
5	Left side shelf assembly	1	17	Rubber	2
6	Locking clip	2	18	Wheel cover	2
7	Leg mounting seats assembly	4	19	Wheel	2
8	Locking strap	1	20	Axle	1
9	Locking mechanism	1	21	Gas pipe strap	1
10	Folding lock	1	22	Double wrench	2
11	Left cart leg assembly	1	23	Wrench	1
12	Right cart leg assembly	1			

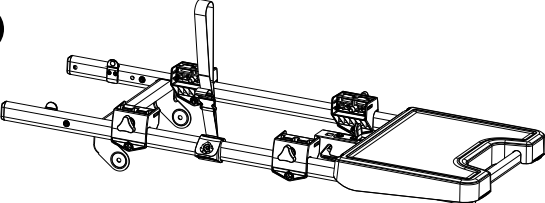
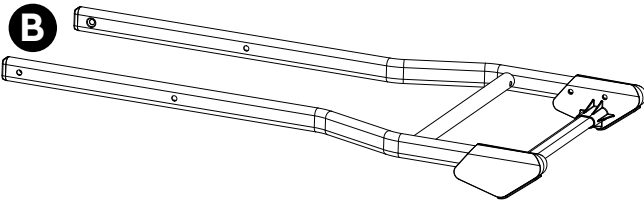
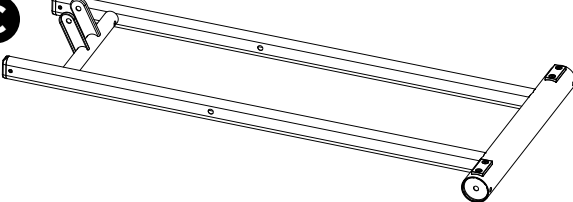
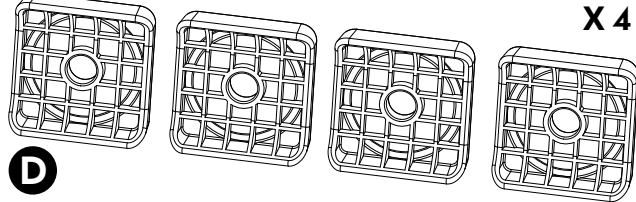
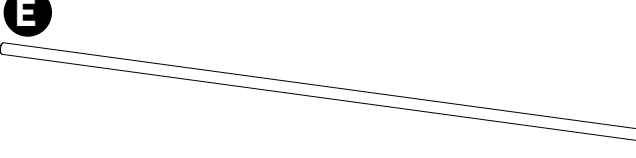
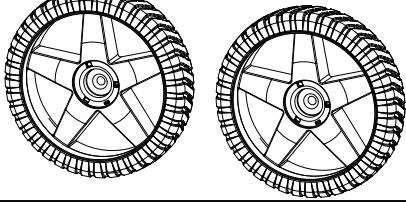

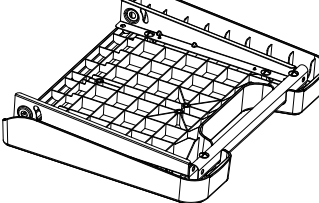
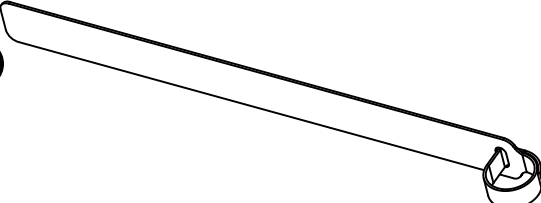
FASTENINGS

A	B	C	D	E	F	G
X 3 1/4"-20	X 2 1/4"-20	X 2 1/4"-20	X 2 1/4"-20	X 8 5/16"	X 2 5/16"	X 5 1/4"
						

TOOLS



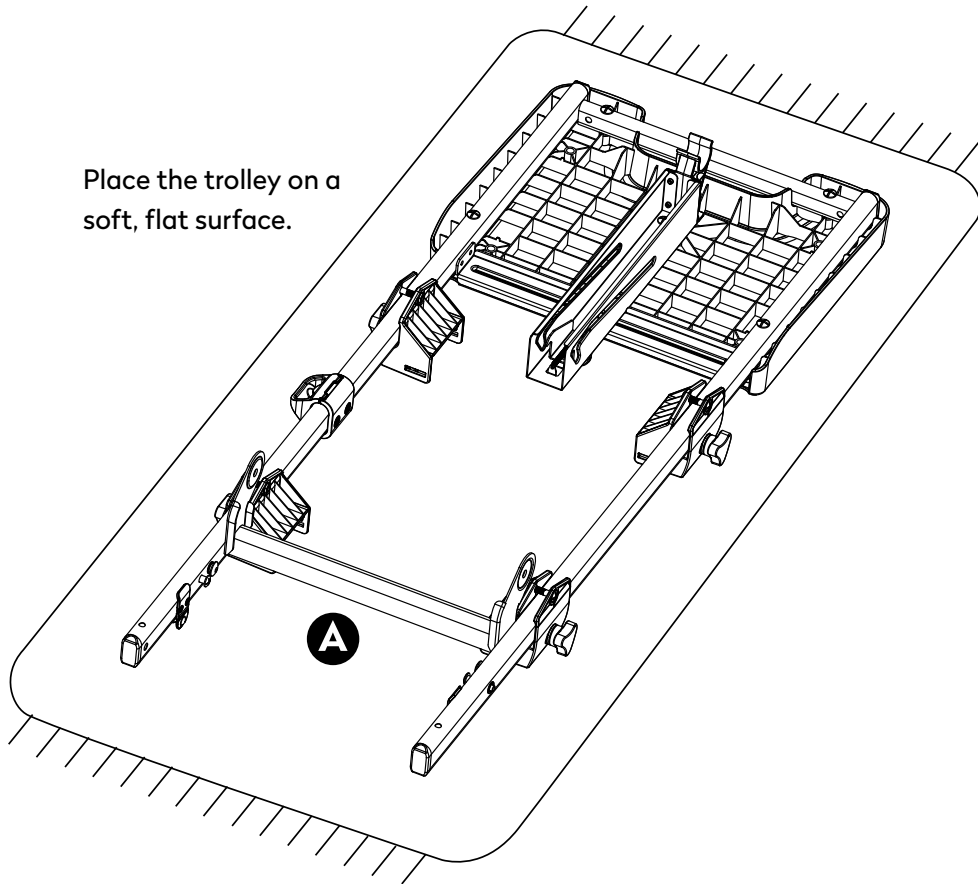
VERPACKUNGSIHALT

A 	B 
C 	D  X 4
E 	F  X 2
G  X 2	H 
I 	

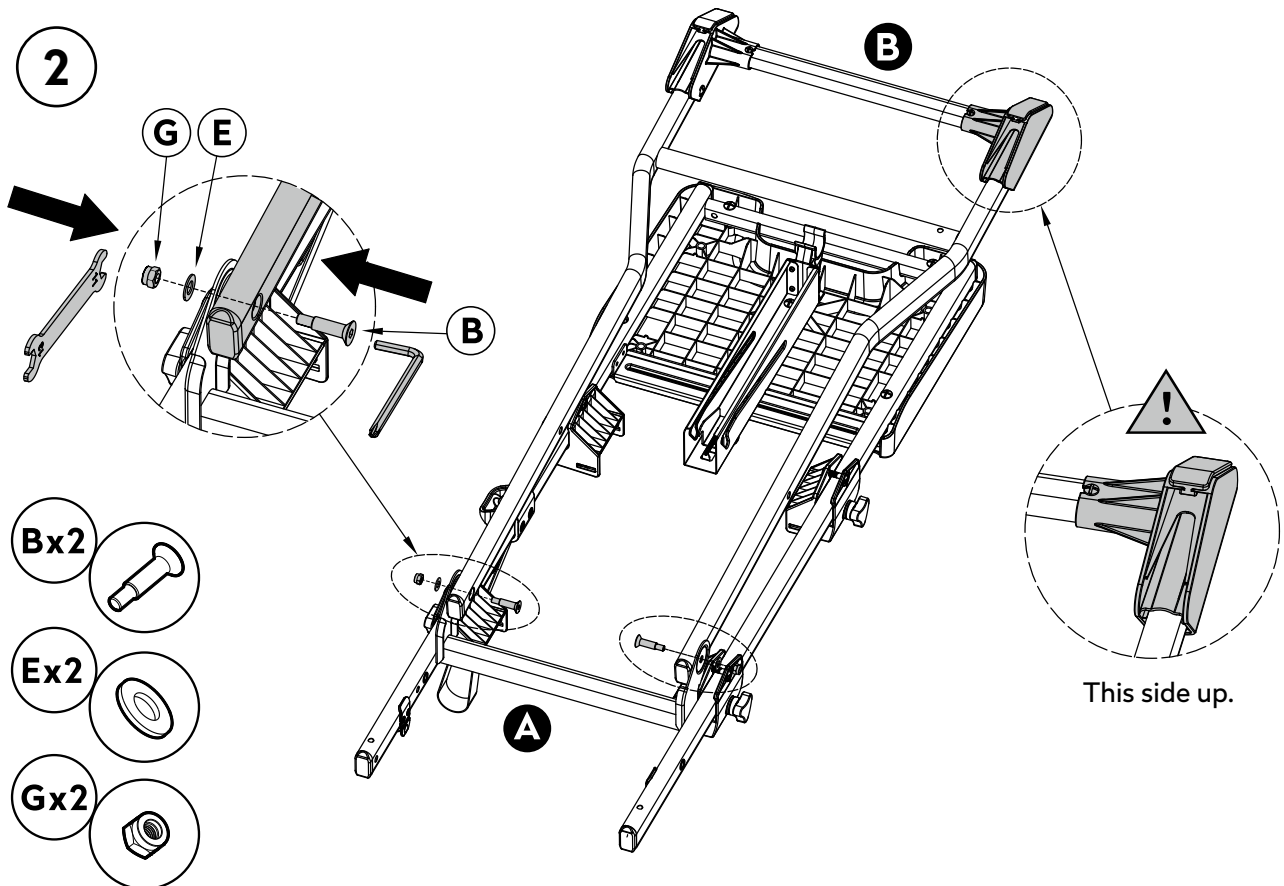
ASSEMBLING TROLLEY

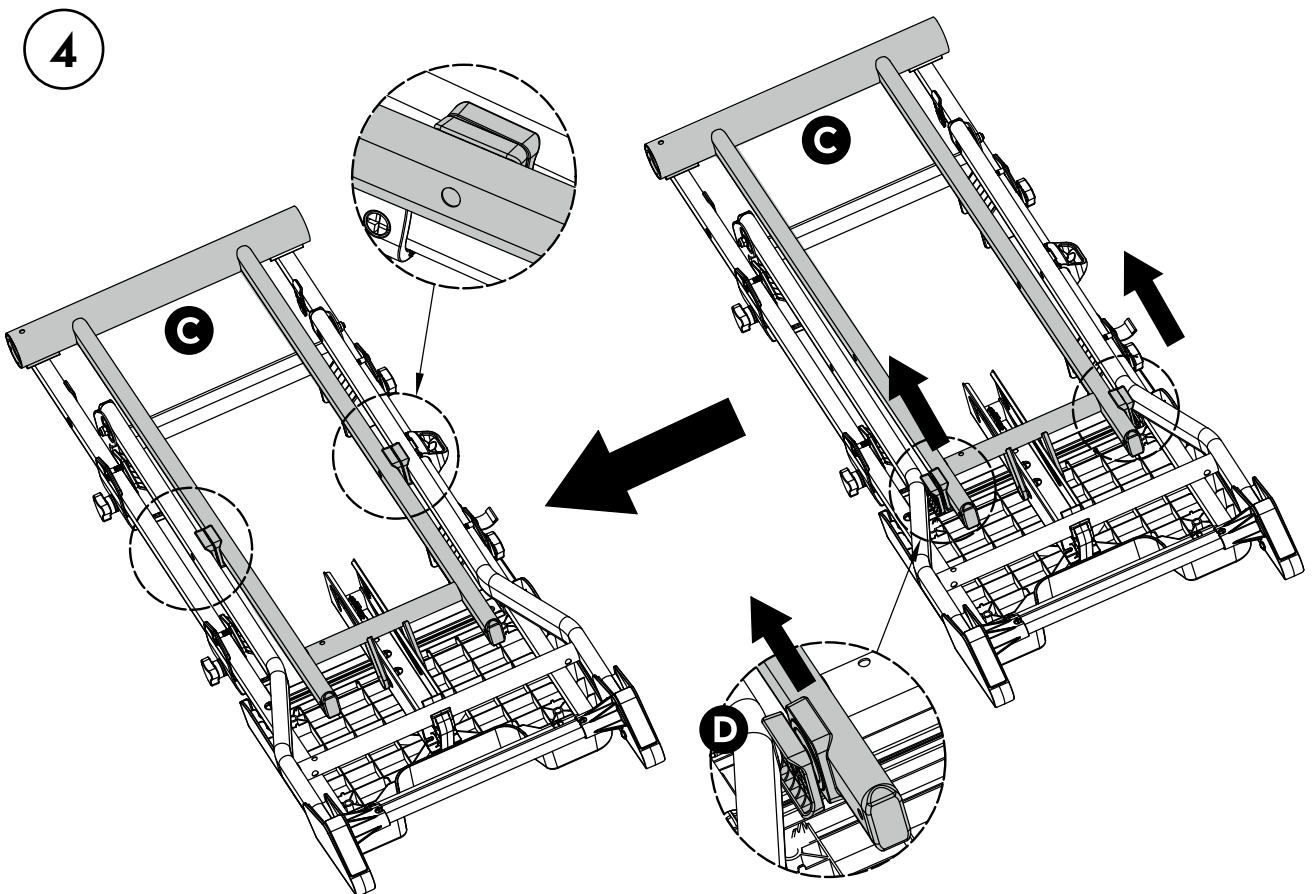
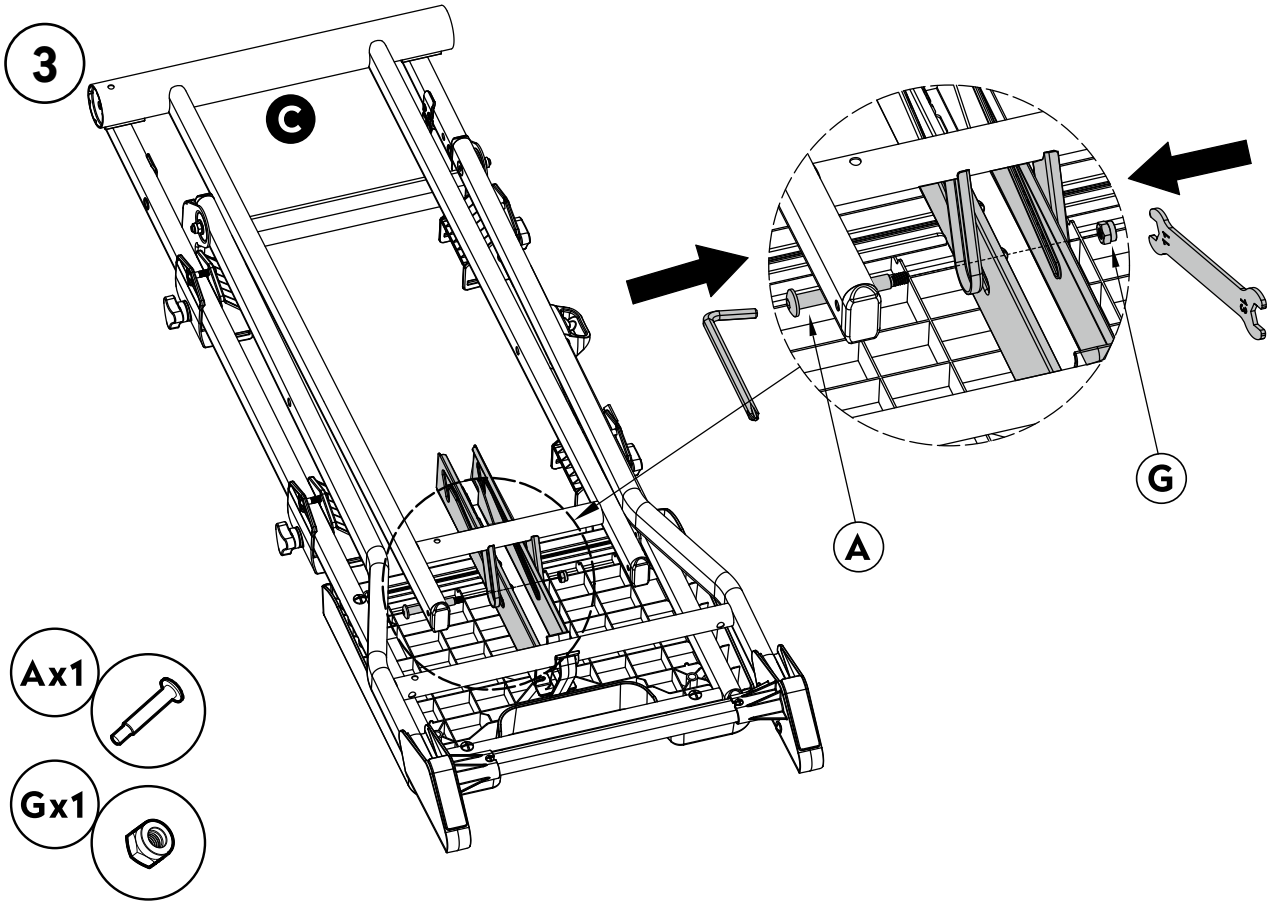
1

Place the trolley on a soft, flat surface.

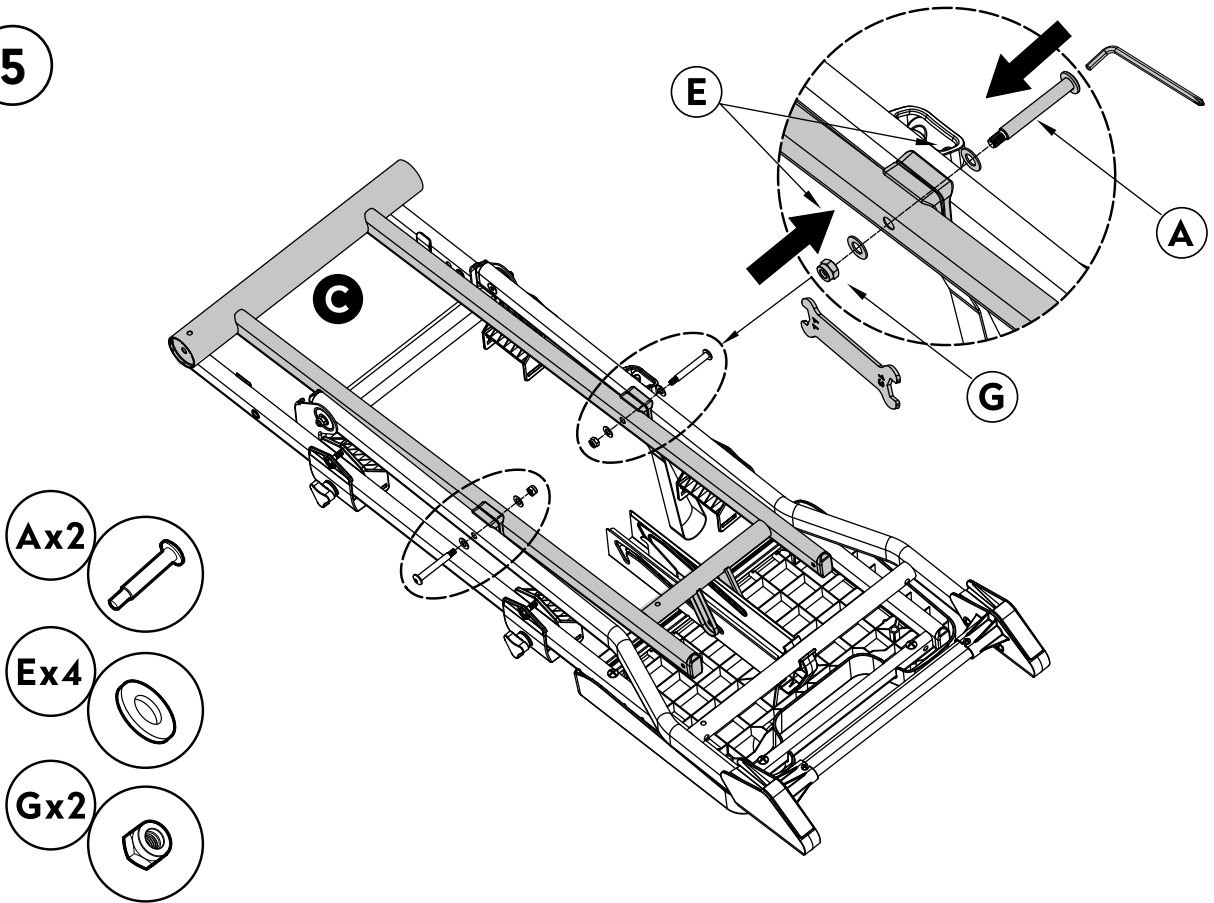


2

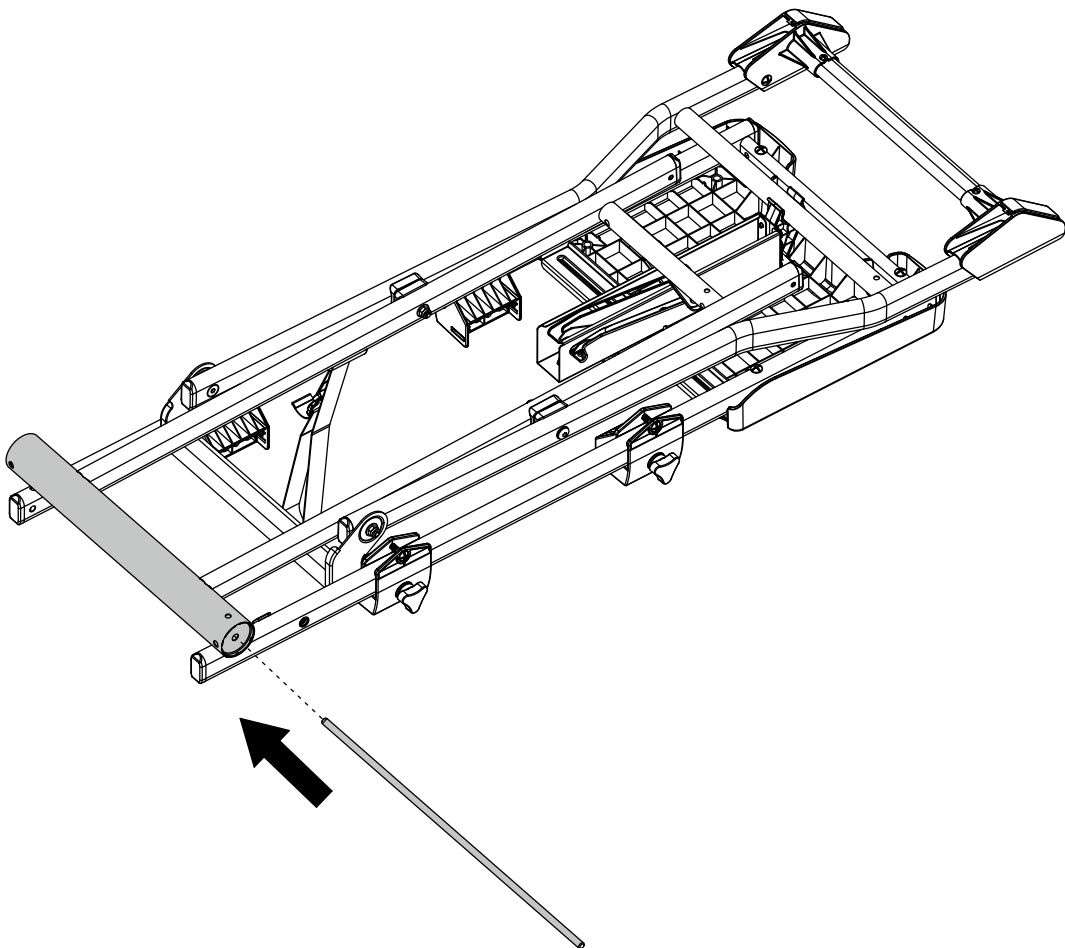




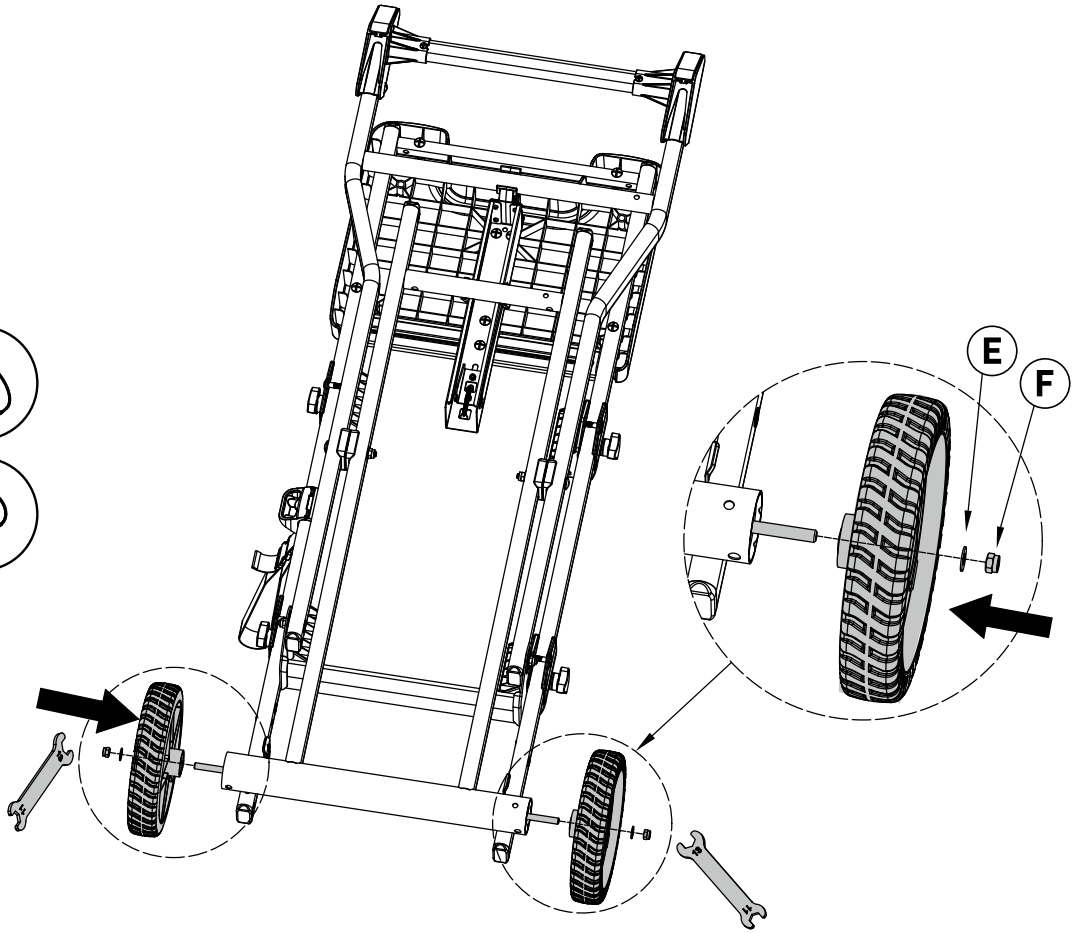
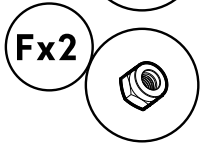
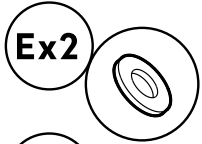
5



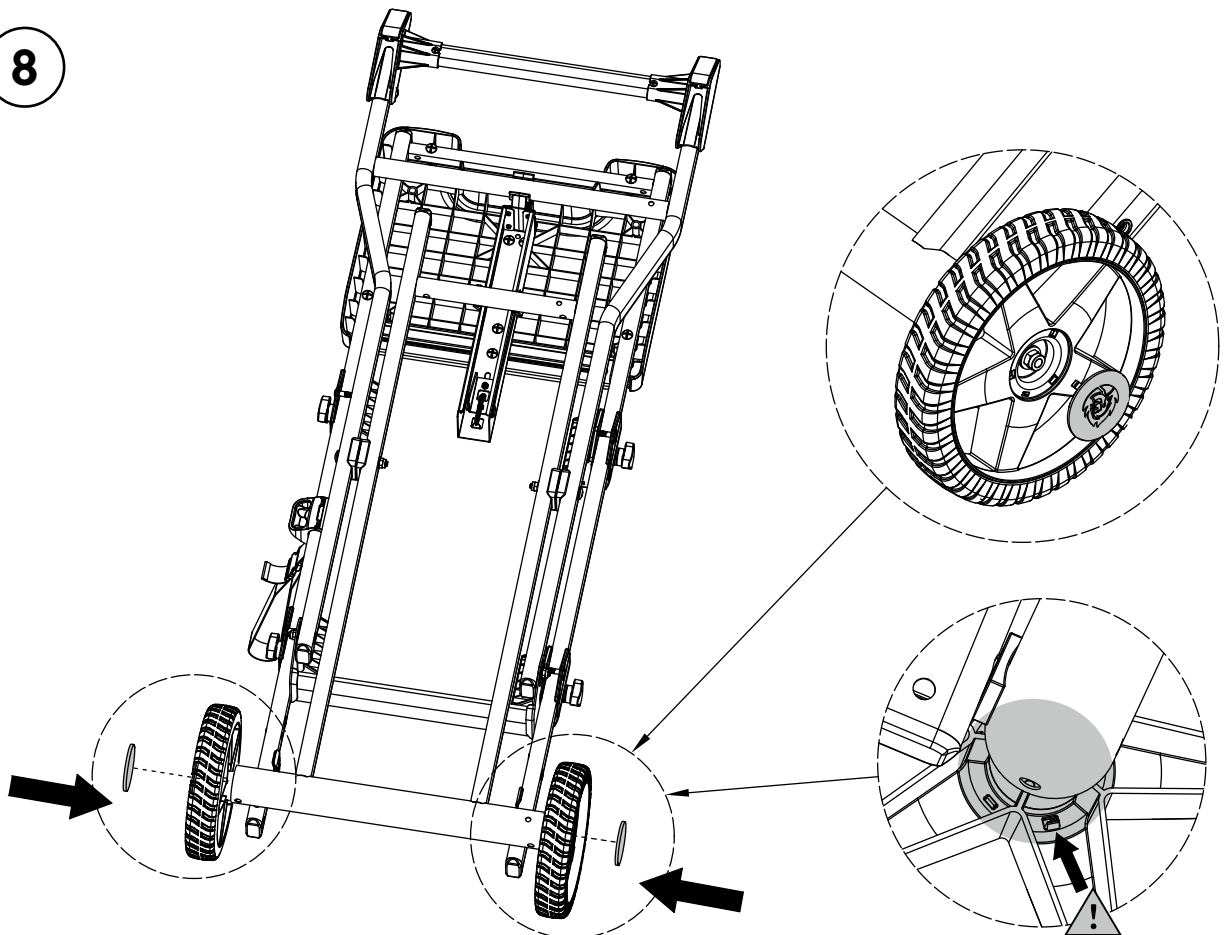
6



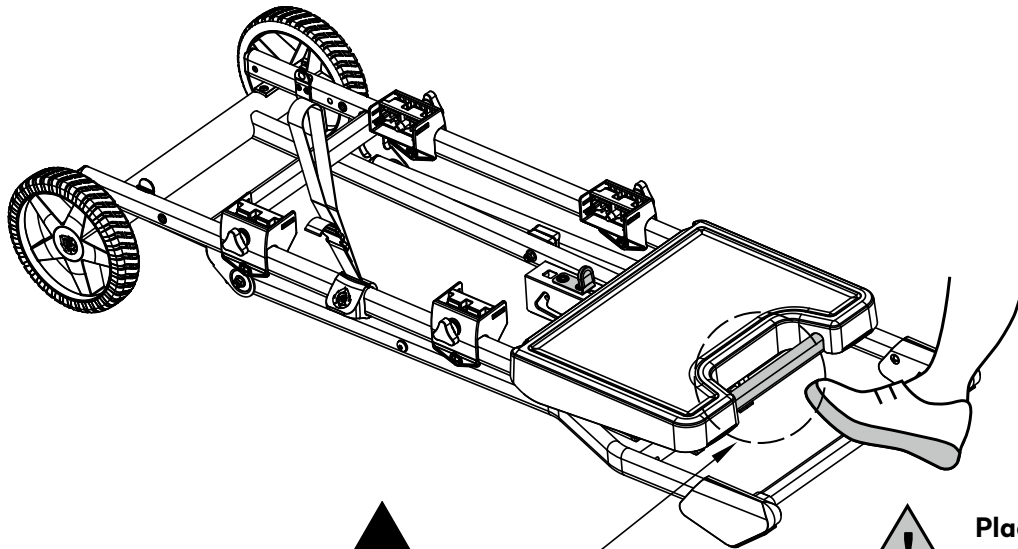
7



8

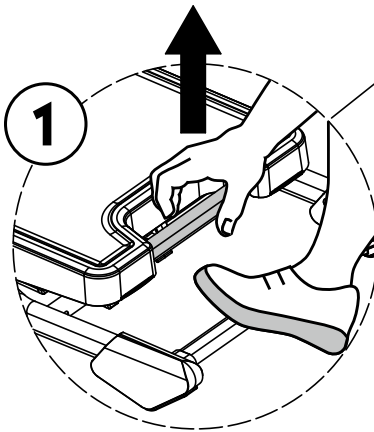


9



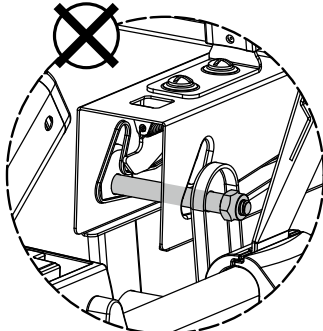
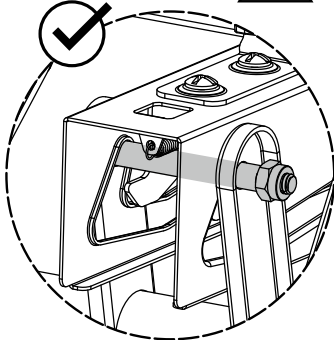
Place a foot on the strut.

1

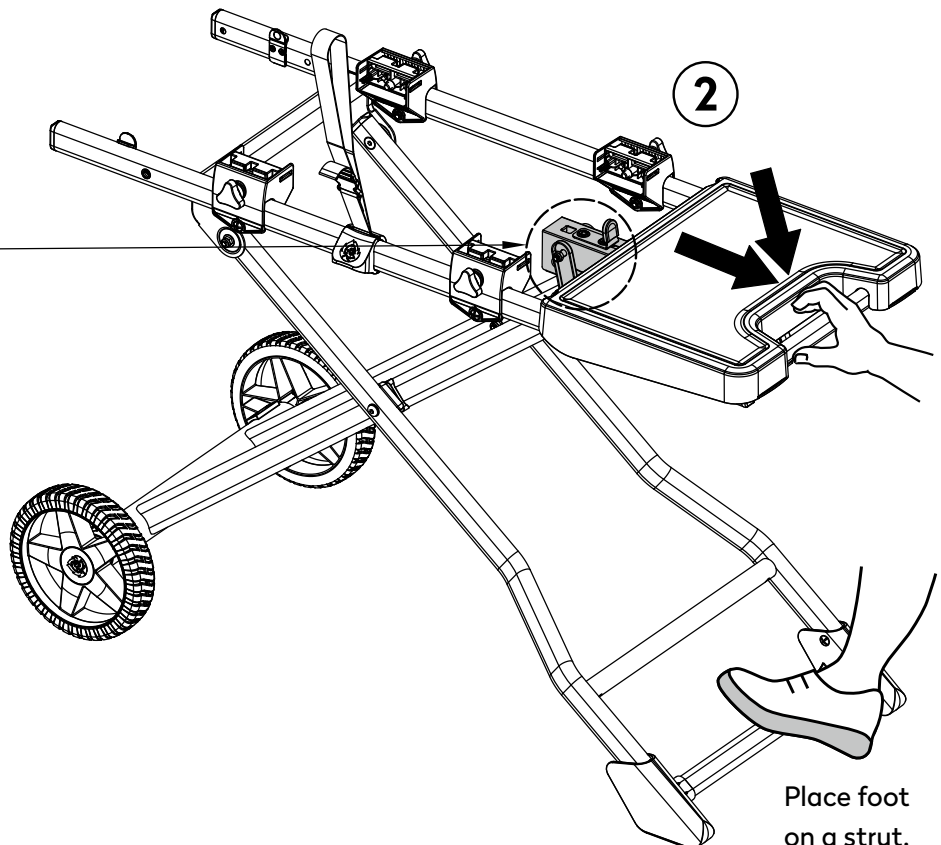


10

CLICK!

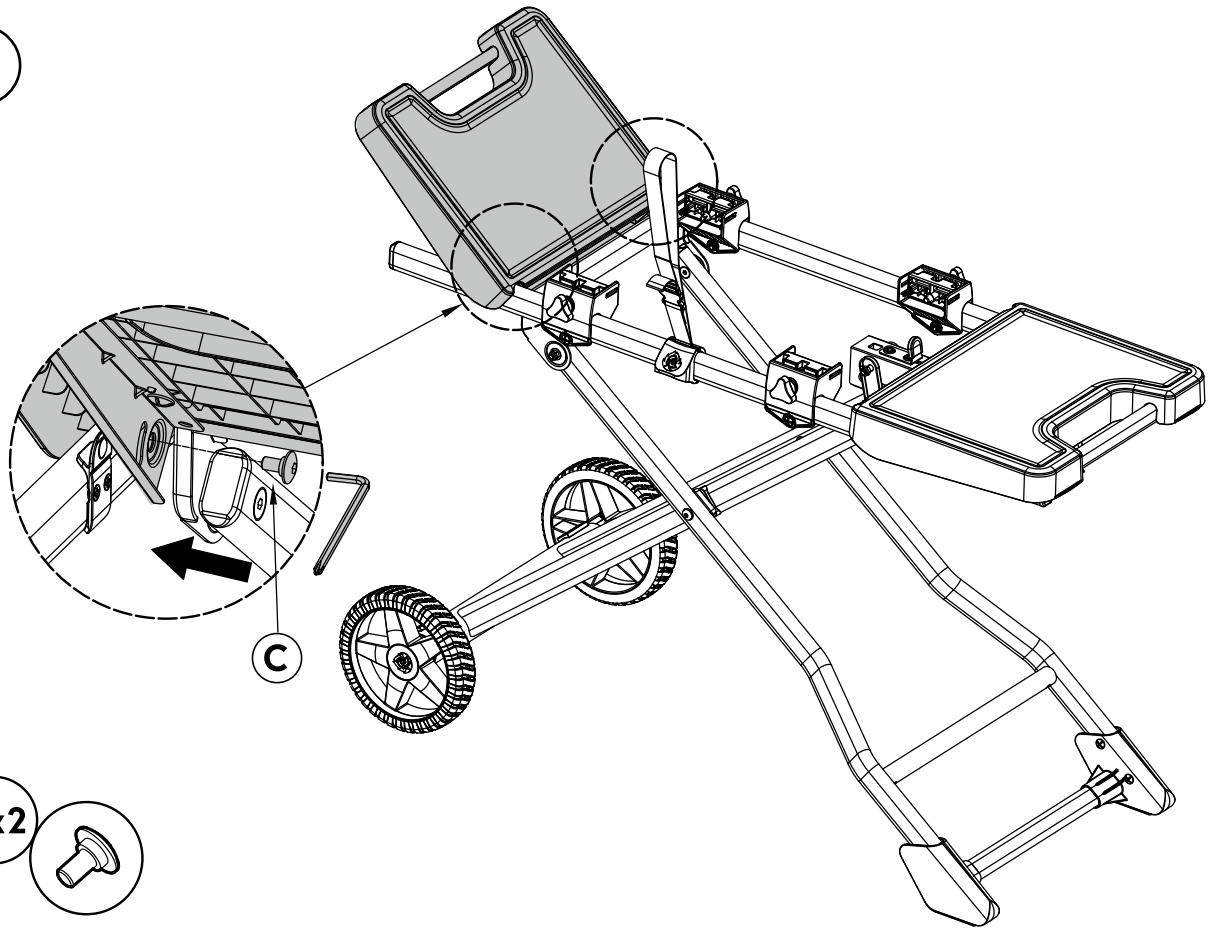


2

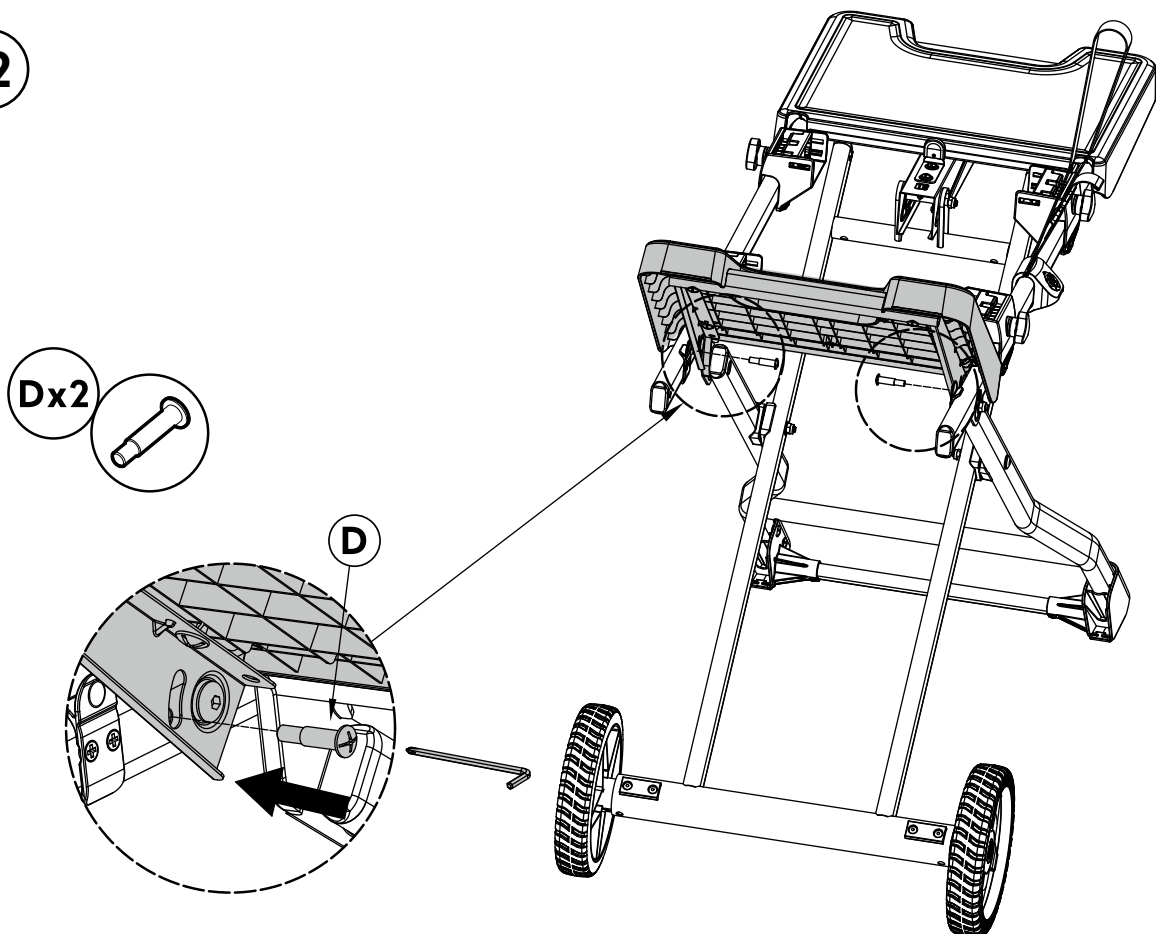


Place foot on a strut.

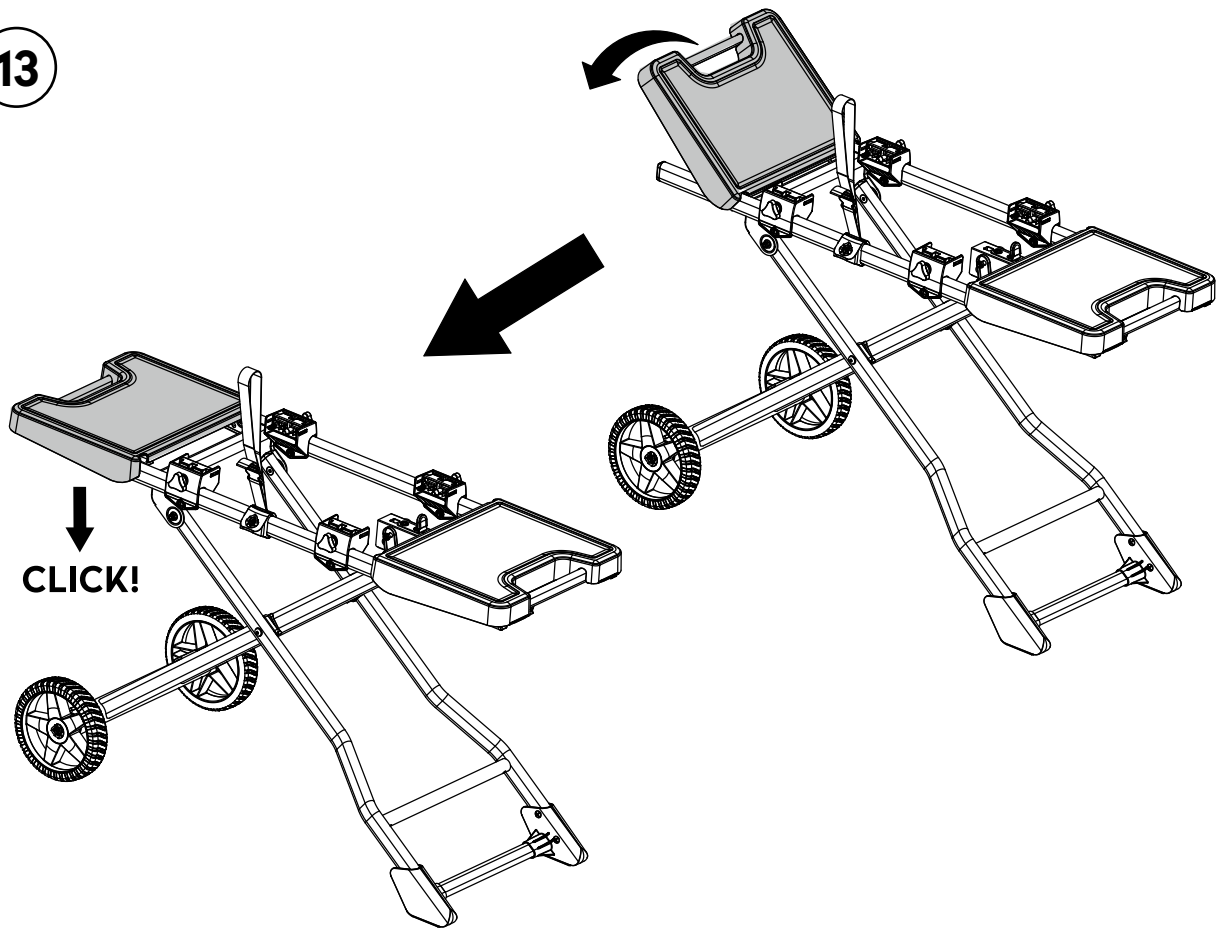
11



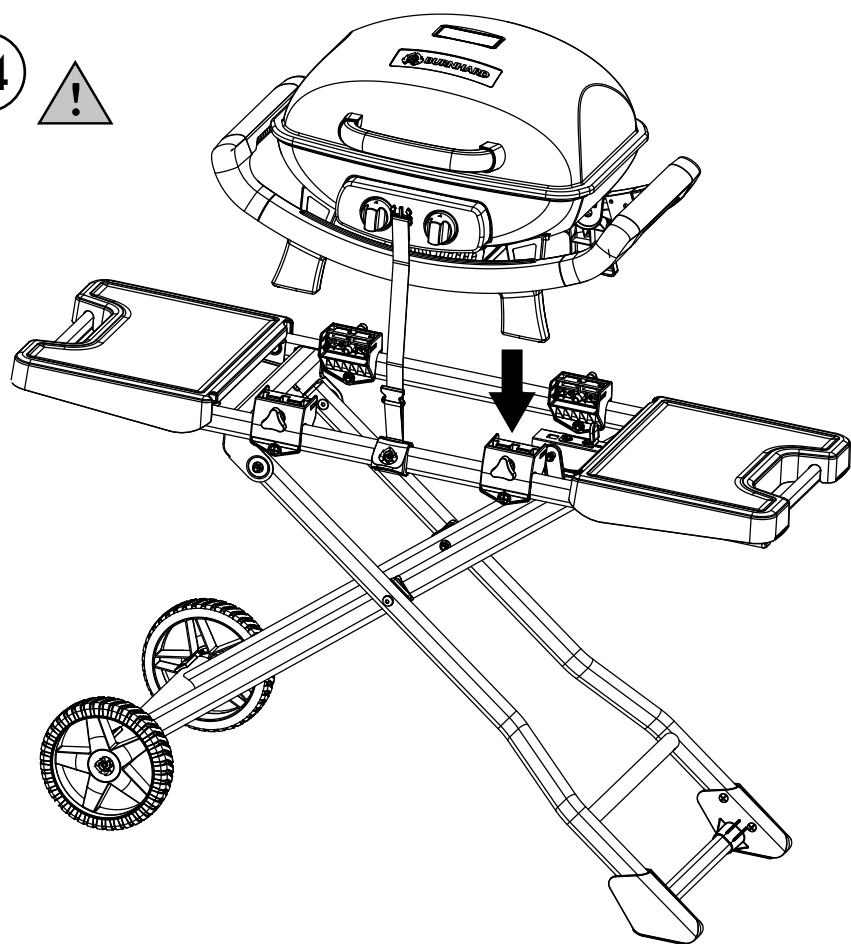
12



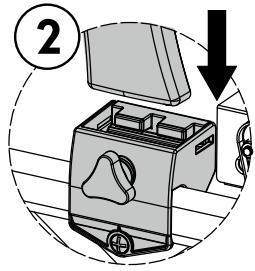
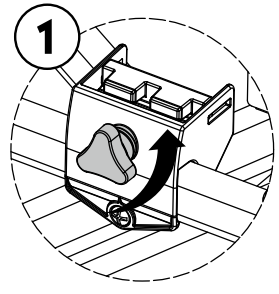
13



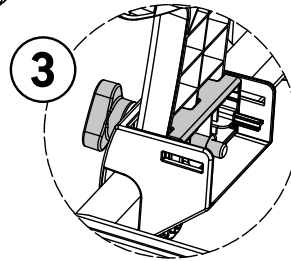
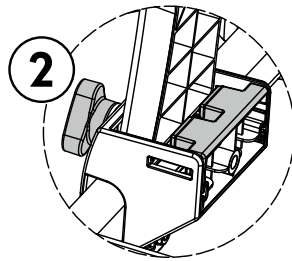
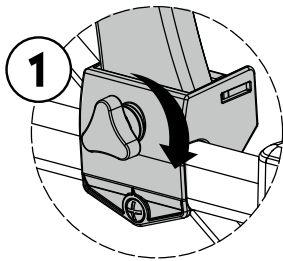
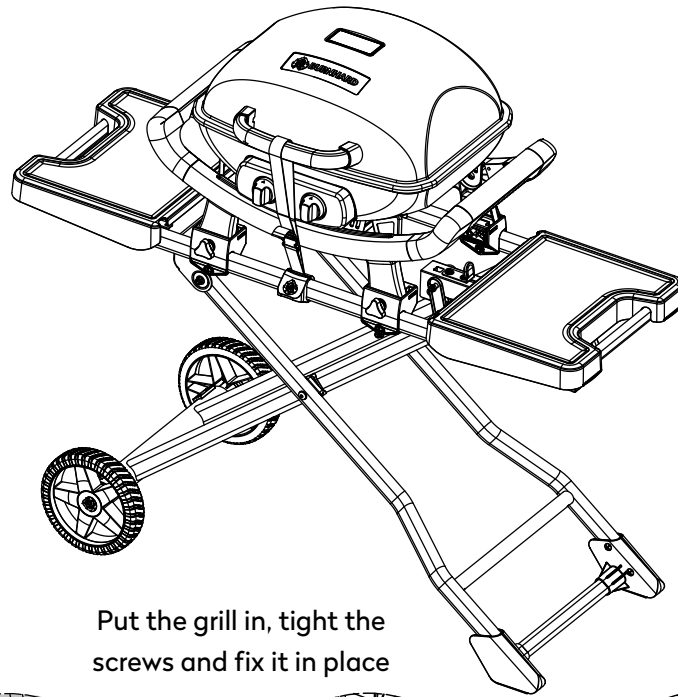
14



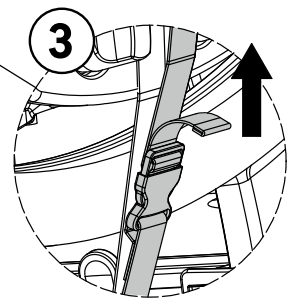
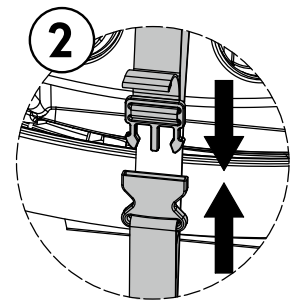
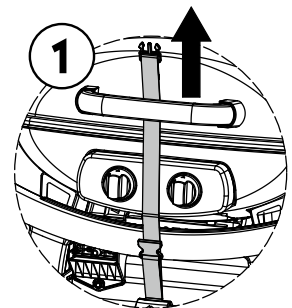
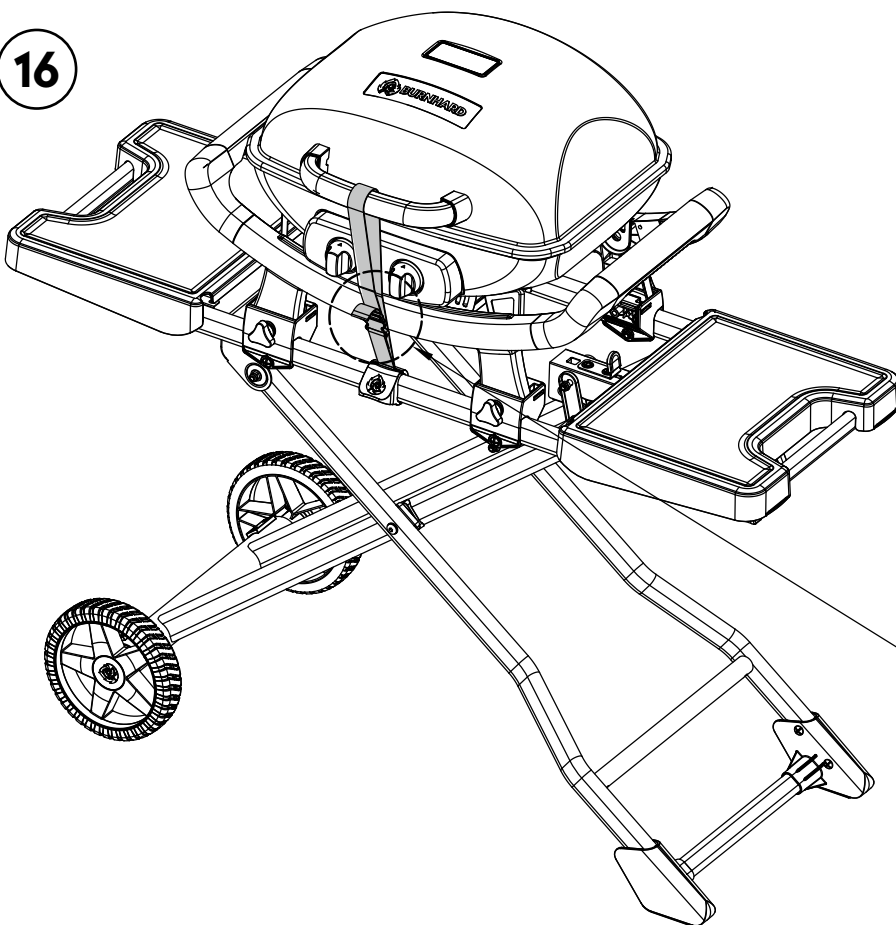
Untwist screws

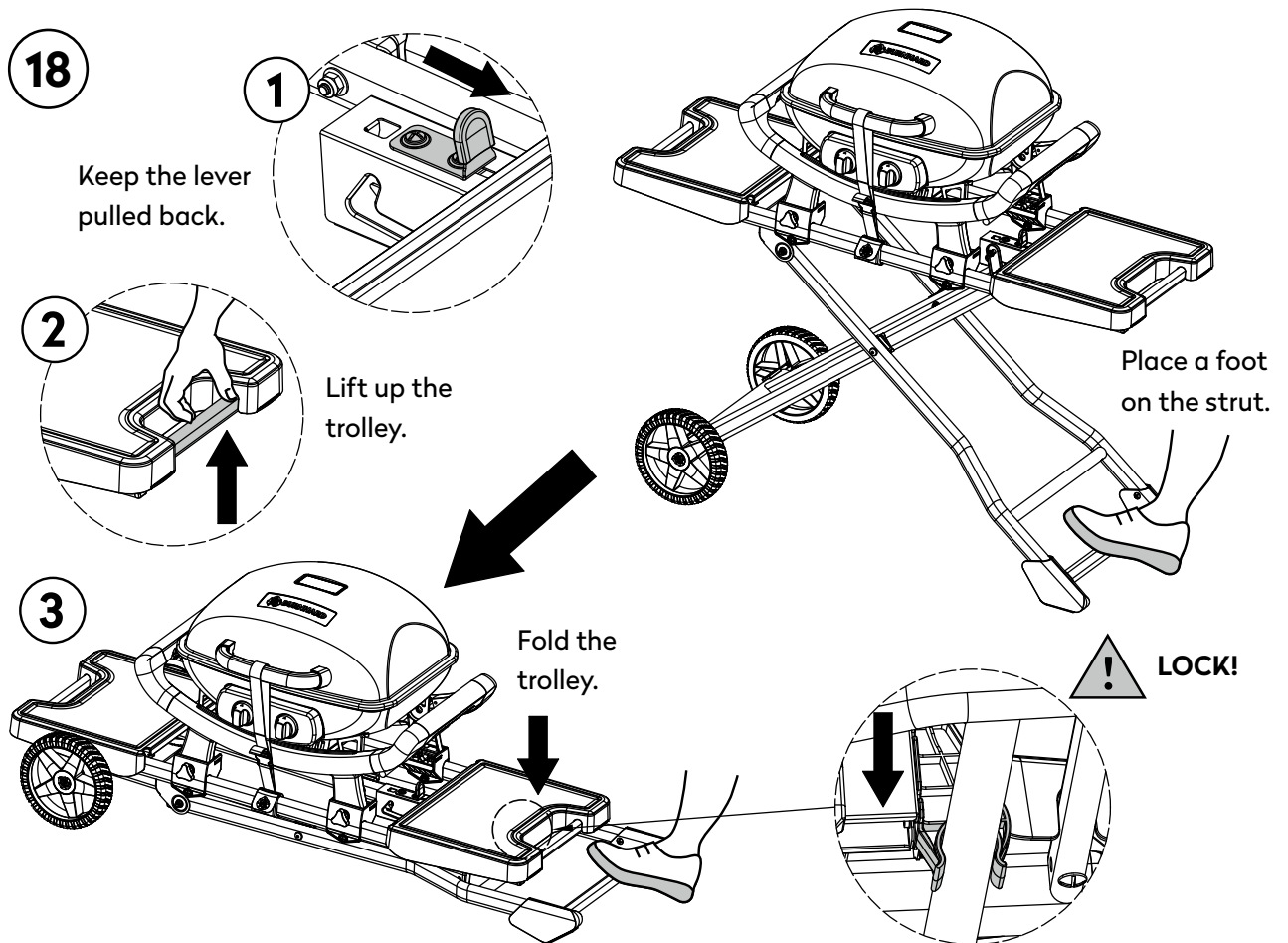
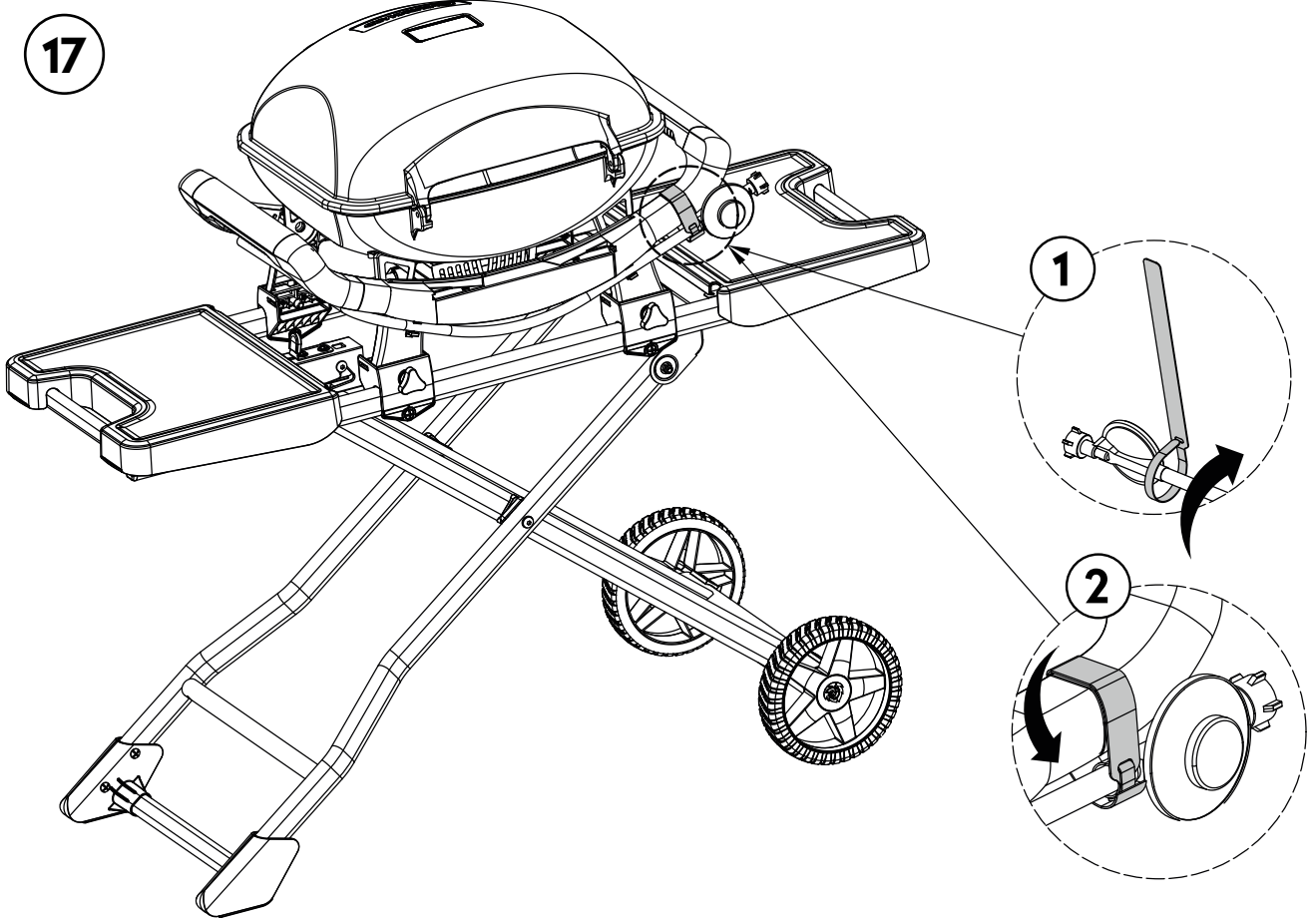


15

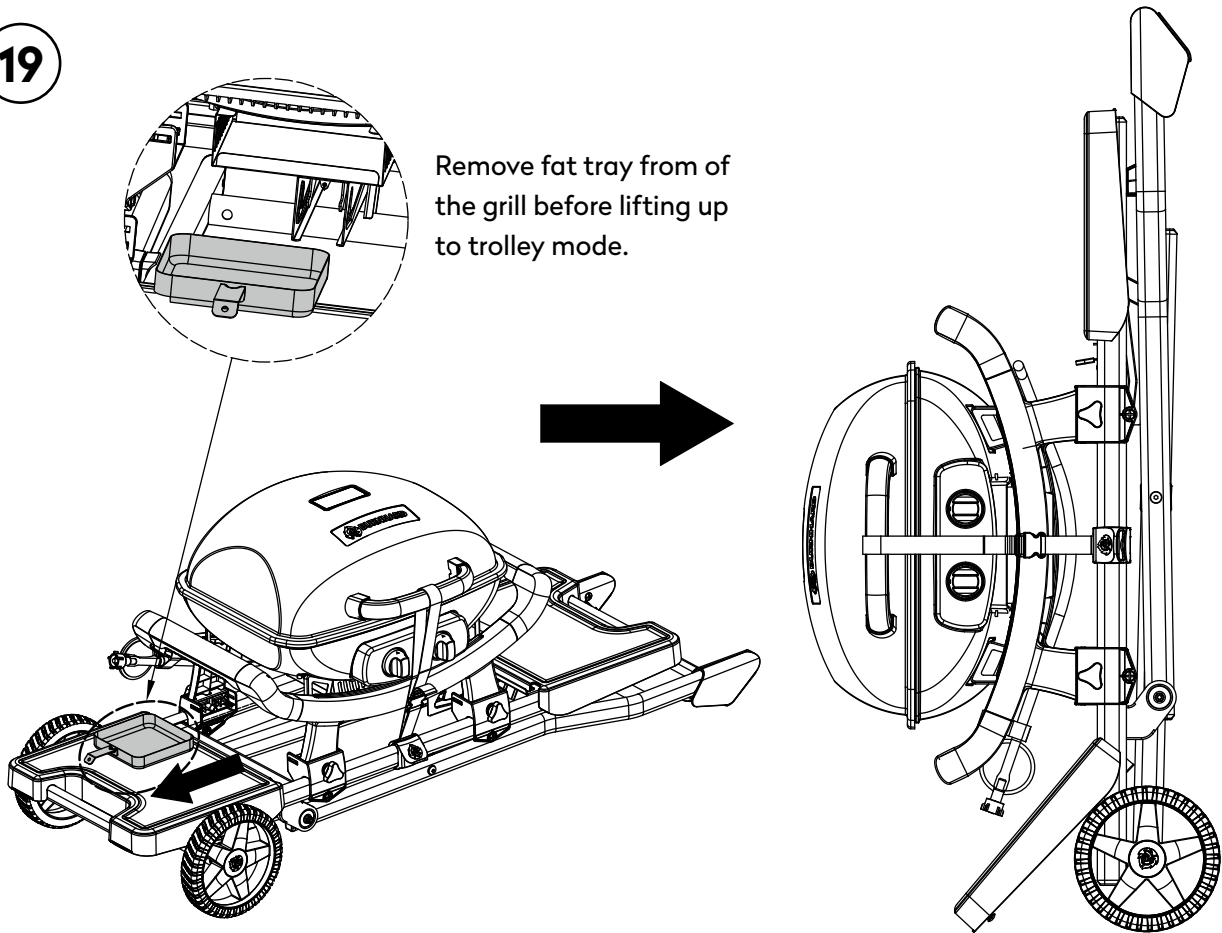


16





19



Remove fat tray from of the grill before lifting up to trolley mode.

MAINTENANCE

This appliance partly consists of synthetic parts that are susceptible to wear and tear. Due to incorrect use or storage, parts of this appliance can be damaged over time. This appliance is resistant against spills and dirt. The durability of the appliance is not permanent and can decrease over time due to regular usage. Damages caused by improper use or exposure to following impacts will invalidate the warranty. Trolleys can be damaged or become more susceptible to damages if they are subjected to the following:

- Temperatures beyond 23 to 158 °F
- Falling from a height of 50 cm or higher (especially when shifting to the side)
- Long-time immersion underwater (more than 24 hours)
- Repeated exposures to strong UV radiation
- Excessive or prolonged dirt

STORING TROLLEY

- Store the trolley in a dry and frost-protected area.
- Cover up the trolley to secure it against dirt and damage.
- A cover protects the gas grill and the trolley against elements such as rain, hail, snow, wind and frost all year round.
- For storing the trolley also note the hints in the safety instructions.

DECLARATION OF CONFORMITY

The Springlane GmbH hereby declares that this product conforms to the basic requirements as of the day of publication. The full declaration of conformity can be found at www.burnhard.de.

CUSTOMER SERVICE

In principle, our products have a legal warranty duty of 2 years. Further claims can only be processed in conjunction with a proof of purchase. Wearing parts exclude any warranty claims, when usual abrasion has occurred. The durability is determined by the respective handling and use of the products and is thus variable.

For questions concerning handling and functionality of our products, please contact our customer service:

Free hotline for Germany/Austria only: 0800 270 70 27

From other EU countries: +49 211 - 749 55 10*

*Different costs may apply.

E-Mail: service@burnhard.de

Internet: www.burnhard.de

DISPOSAL/RECYCLING

Our products are manufactured to high quality standards and are designed for a long service life. Regular maintenance and care will help to extend service life. If the appliance is defective and can no longer be repaired, it must not be disposed of in the normal household waste.

The product and its packaging must be disposed of in accordance with local regulations. Contact your local waste disposal company if necessary.