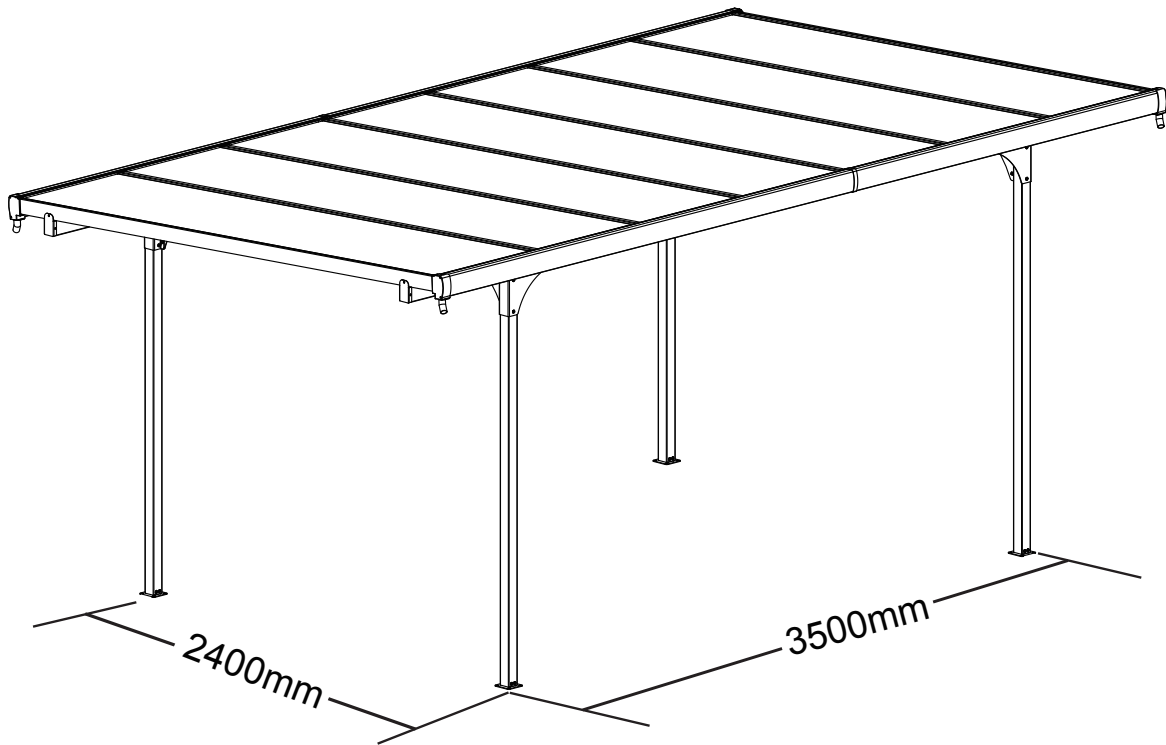


10' x 16' ALUMINUM CLEAR CARPORT



- Please read and understand the product manual completely before assembly
- Check against the parts list to make sure all parts are received
- Wear proper safety goggles or other protective gears while in assembly
- Do not return the product to dealer. They are not equipped to handle your requests.

Missing parts or have questions on assembly?
Please call: 1-877-761-2819 or email: cs@tmgindustrial.com

OTHER CAUTIONS

1. 3-4 people required, one is for measuring & taking marks to ensure the installation dimension ,the second person is responsible for the installation and the last one do as assistant and assure the safety.
 2. High-power electric tools are required, ensure the normal work of them and highly pay attention to electric safety.
 3. Be careful when using the kind of blunt tools, like hammer.
 4. Wearing long sleeve cotton overalls, gloves and helmet during installation and wear safety glasses when using power tools.
 5. No up watching when working height, or the drop screws may hurt your eyes and suffocation causing accidentally when fall into your mouth.
 6. No climbing, No standing on the tent to avoid falling down.
 7. If injuries immediately, using the first-aid kit to stop bleeding, bind up, In case of emergency , taken immediately to a nearby medical institutions.
-

TOOLS & EQUIPMENT REQUIRED

Protective Equipment:

1. Helmet
2. Glove
3. Long Sleeve Cotton Overalls
4. Emergency Medicine Cabinet
5. Eye Shield



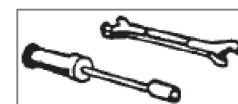
Measure (metric):


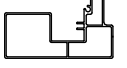









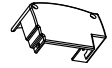








1. The Tape (5 m)
2. Angle Square
3. Level Meter

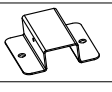

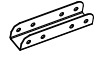
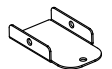

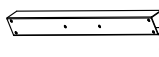
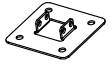
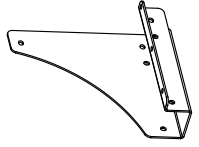
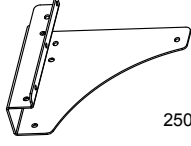
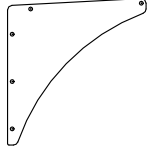
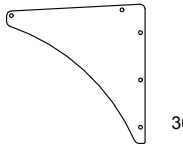

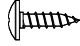


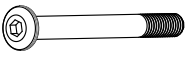



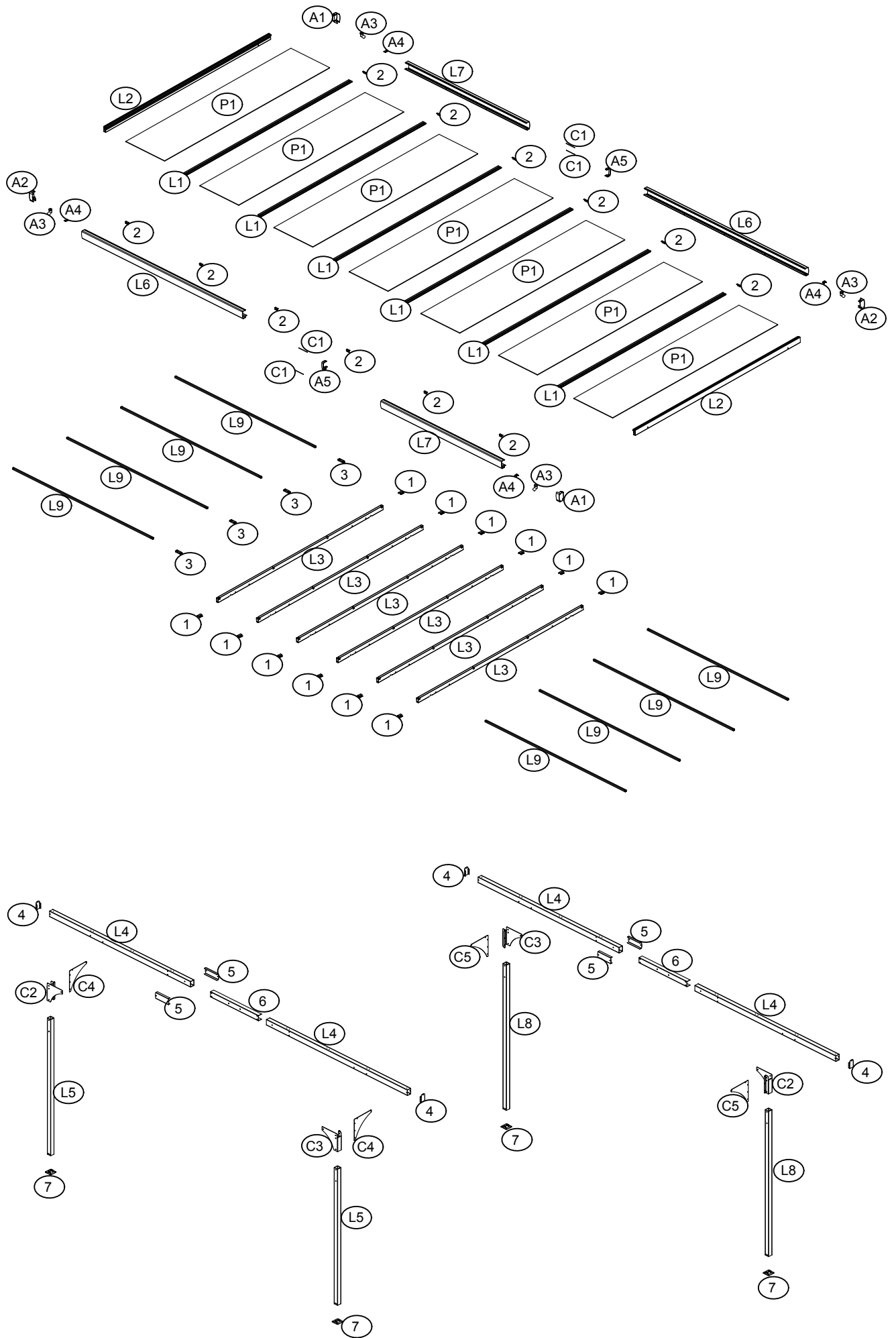
Installation Tool:

1. Spanner 8mm (Ratchet Wrench is better)
2. Electric screwdriver + 8mm hex bolt sleeve (suggest)
3. Wooden Mallet
4. Marking Pen
5. Silicon
6. Knife
7. Phillips screwdriver

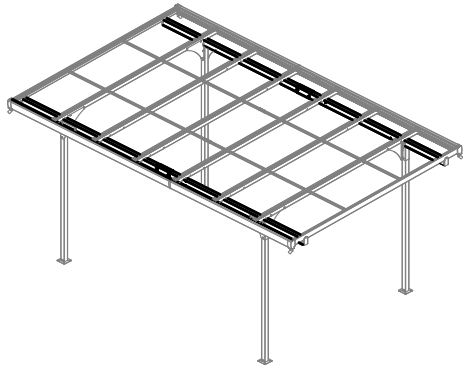


NO.	PART	Qty.
L1	 2898mm	6
L2	 2898mm	2
L3	 2898mm	6
L4	 2472mm	4
L5	 1950mm	2
L6	 2821mm	2
L7	 2119mm	2
L8	 2079mm	2
L9	 2459mm	8
P1	 2898mm	7
C1	 150mm	4
A1	 2	
A2	 2	
A3	 4	
A4	 4	
A5	 2	
A6	 16	
A7	 16	
F7	 12	
S3	 160	

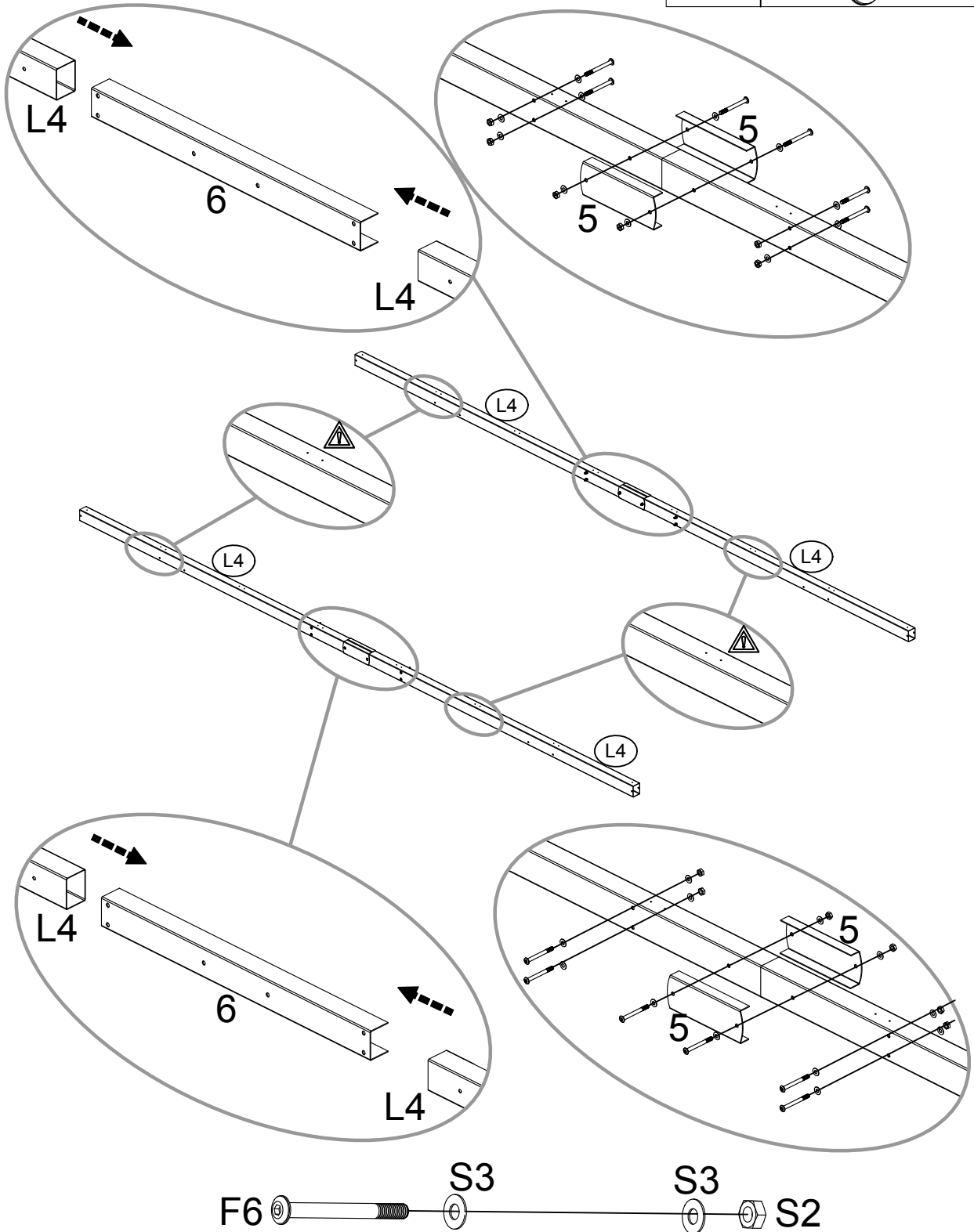
NO.	PART	Qty.
1	 55mm	12
2	 50mm	12
3	 100mm	4
4	 110mm	4
5	 235mm	4
6	 840mm	2
7	 130mm	4
C2	 250mm	2
C3	 250mm	2
C4	 300mm	2
C5	 300mm	2
F1	 160	
F3	 8	
F4	 30	
F5	 14	
F6	 34	
S2	 78	

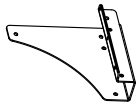
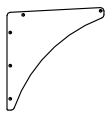
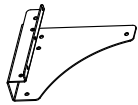
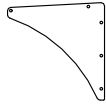

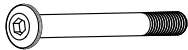




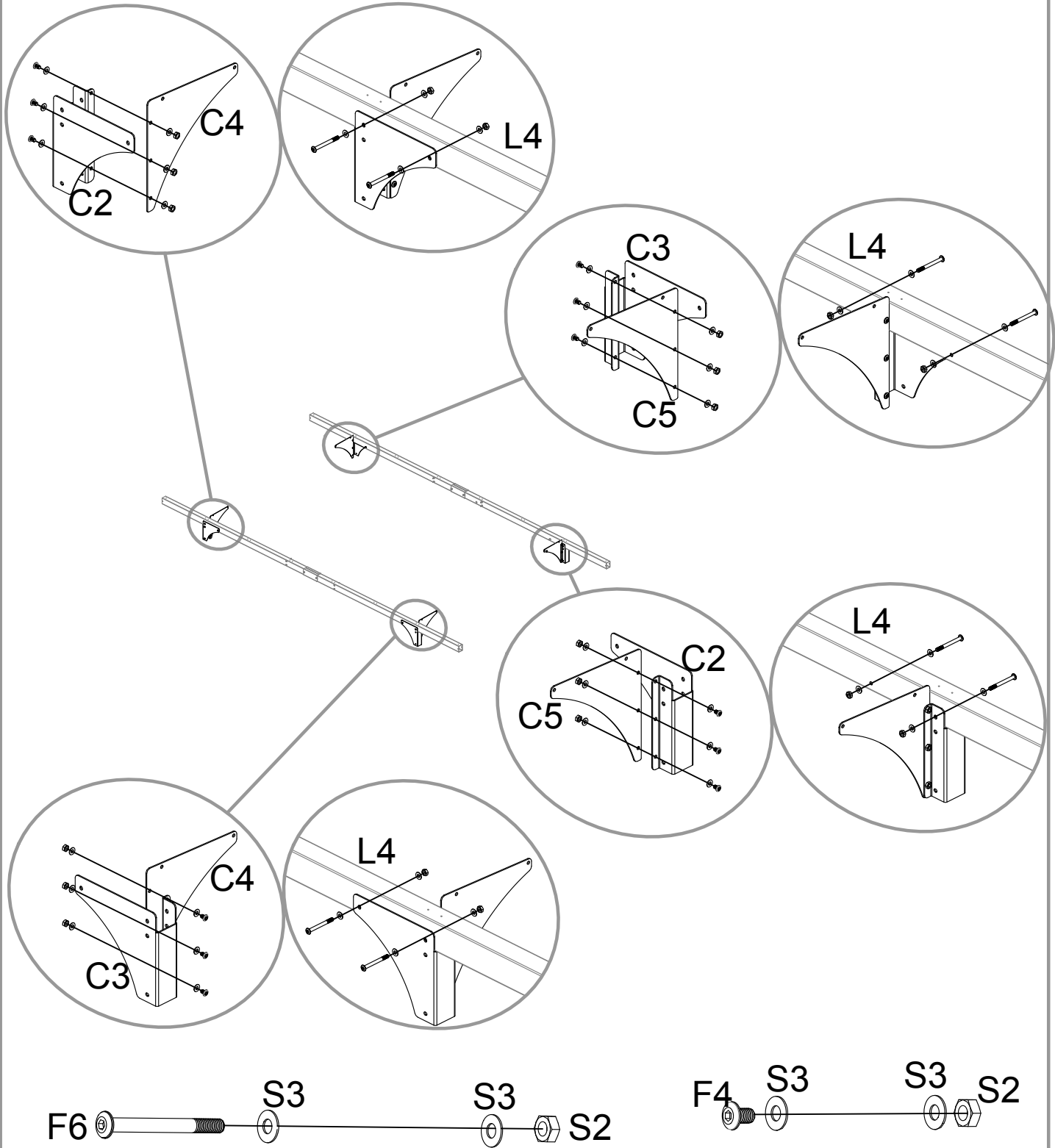
Step 1


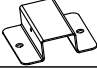



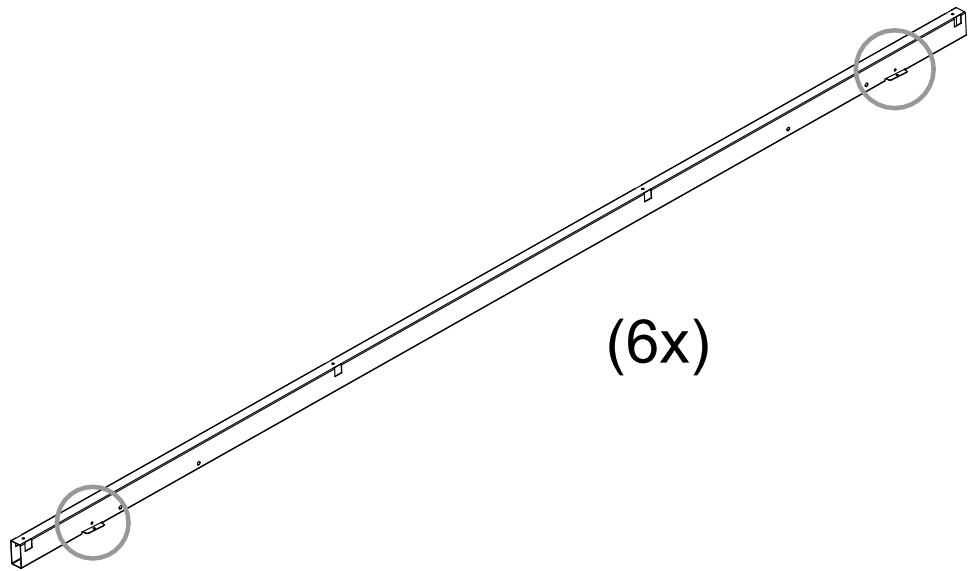
NO.	PART	Qty.
L4		4
5		4
6		2
F6		12
S2		12
S3		24



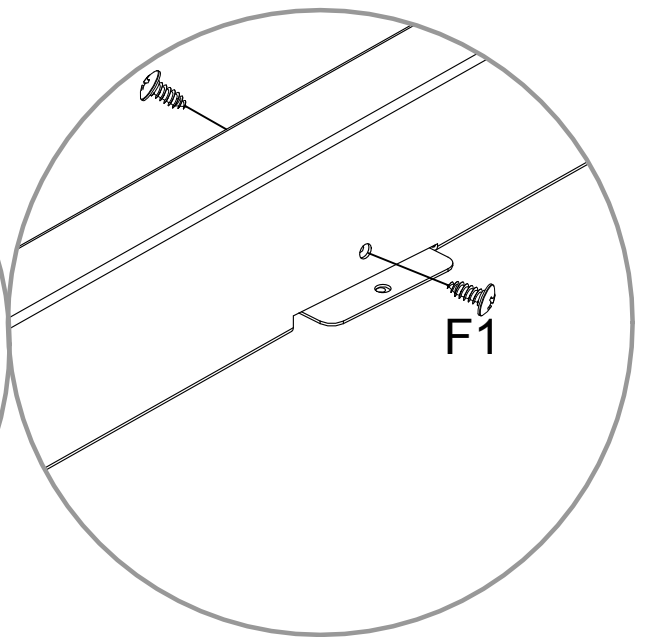
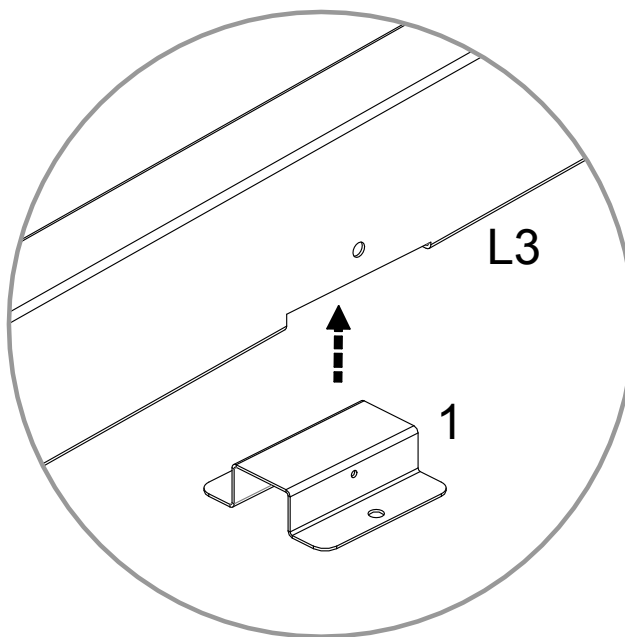
NO.	PART	Qty.	NO.	PART	Qty.
C2		2	C4		2
C3		2	C5		2
F4		12	F6		8
S2		20	S3		40



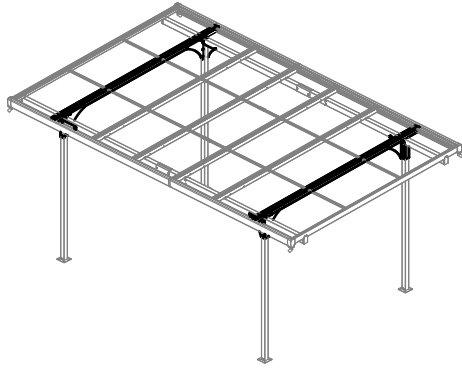
NO.	PART	Qty.
L3		6
1		12
F1		24







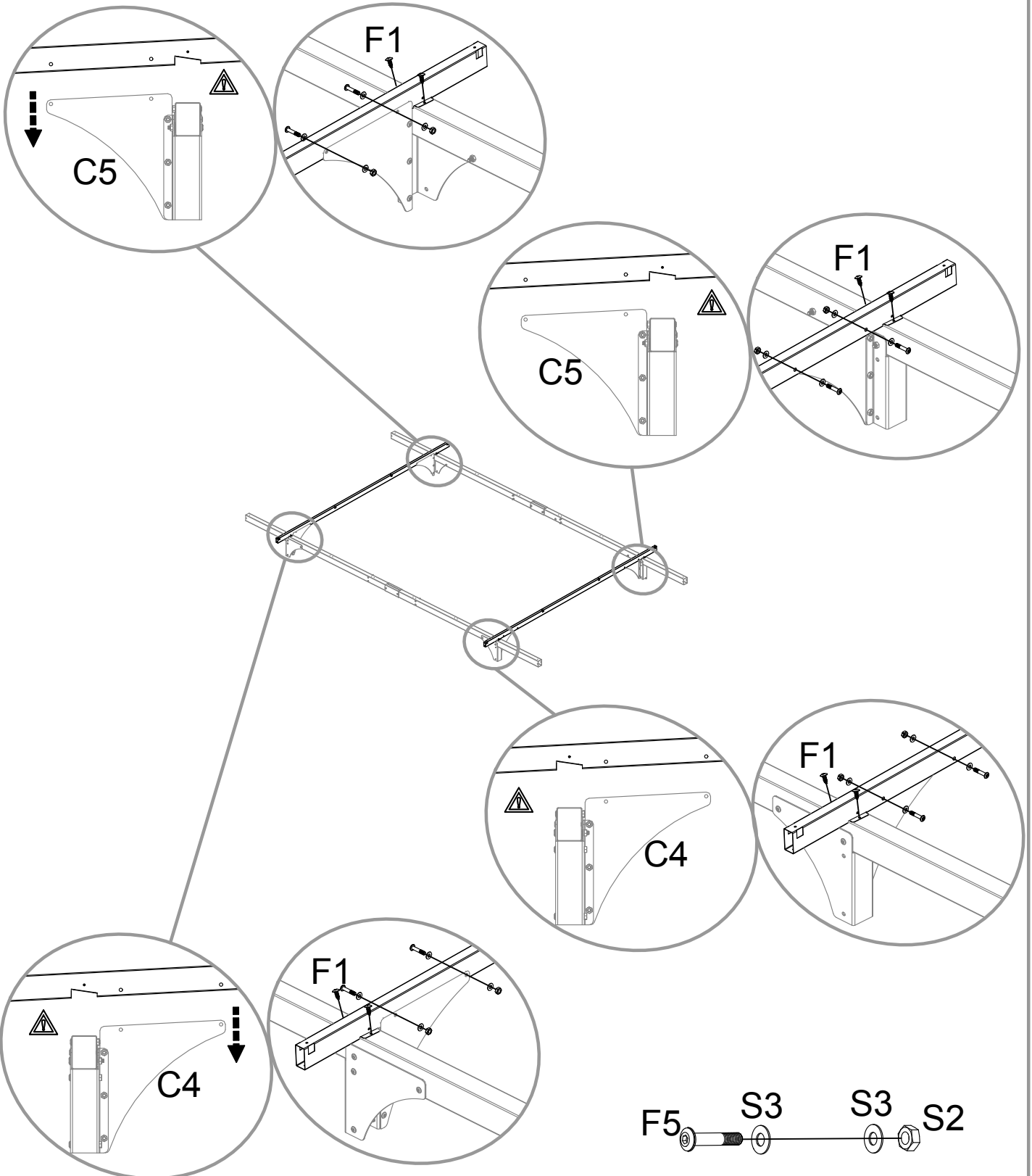
(6x)



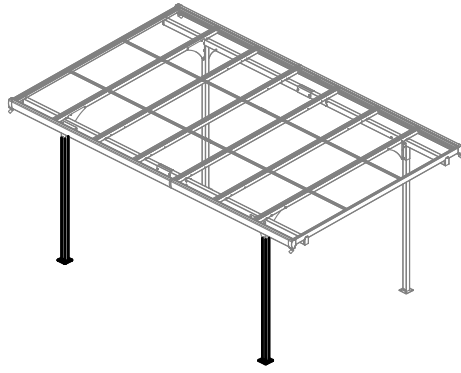
Step 2



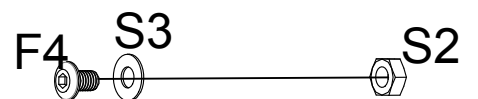
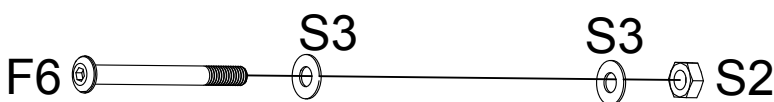
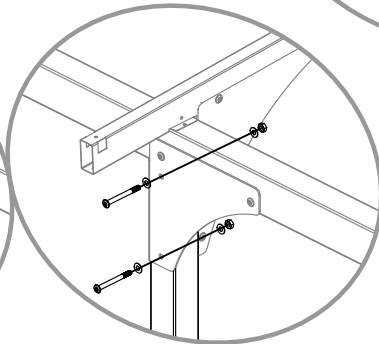
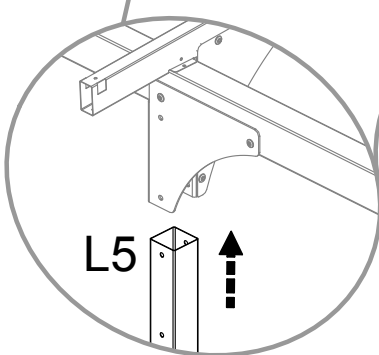
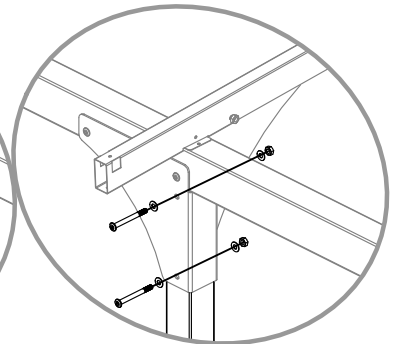
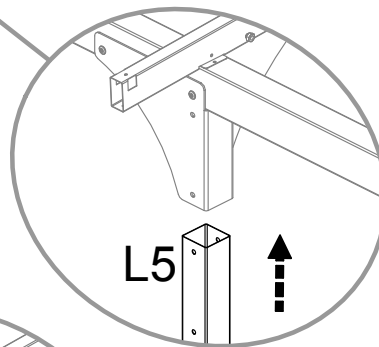
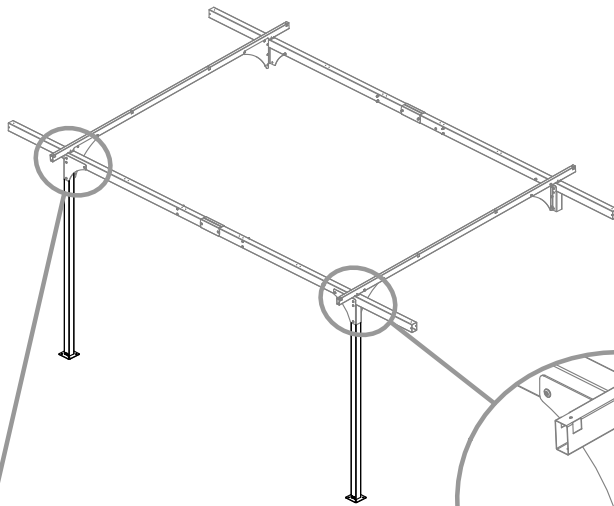
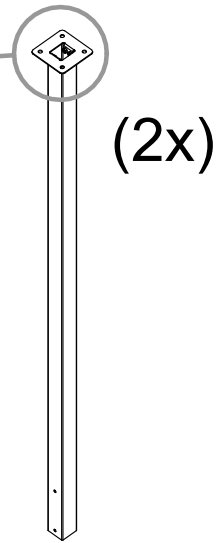
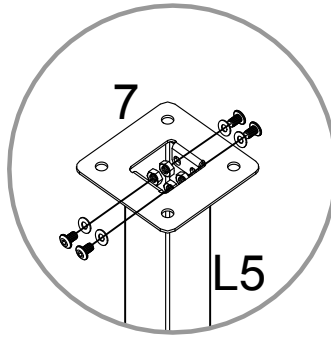
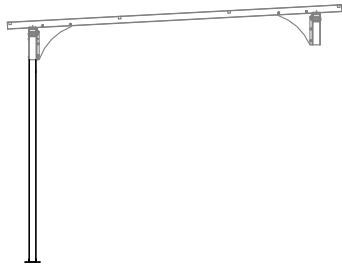
NO.	PART	Qty.
F1		8
F5		8
S3		16
S2		8



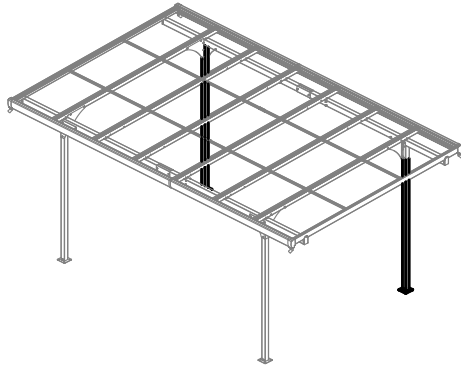
Step 3



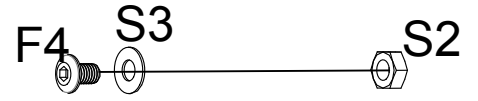
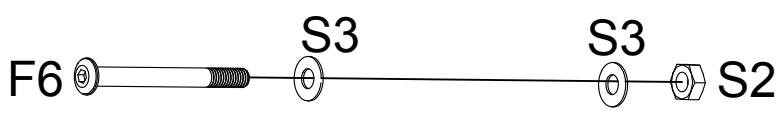
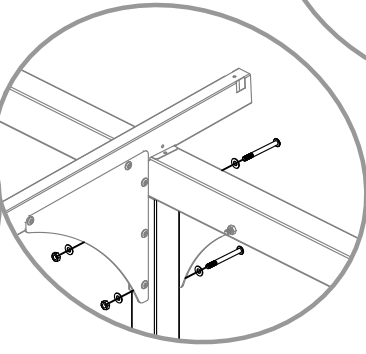
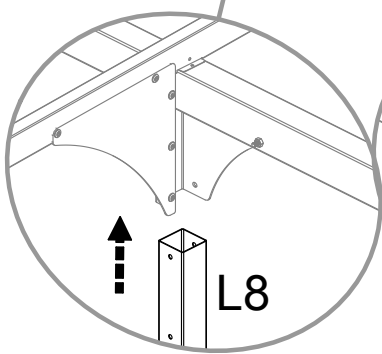
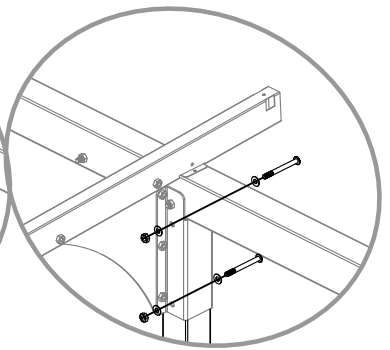
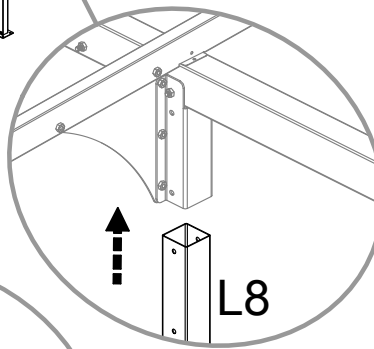
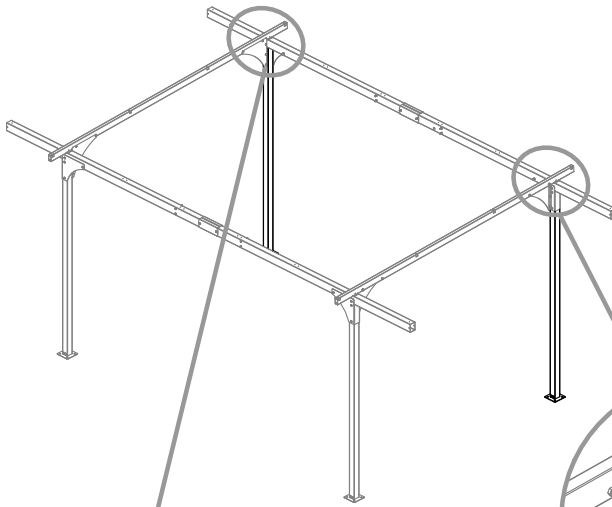
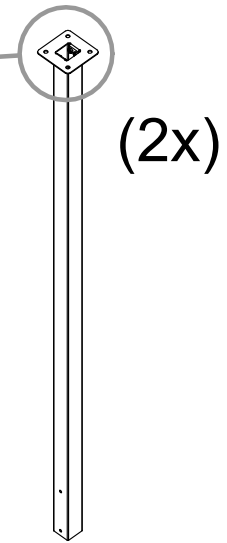
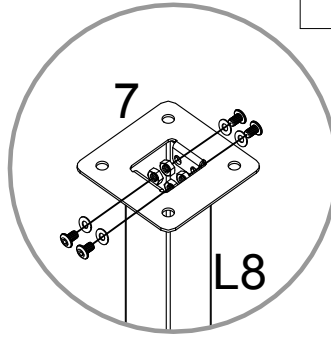
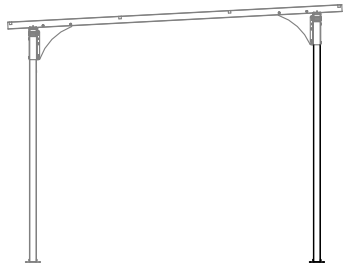
NO.	PART	Qty.
L5		2
7		2
S3		24
S2		12
F4		8
F6		4



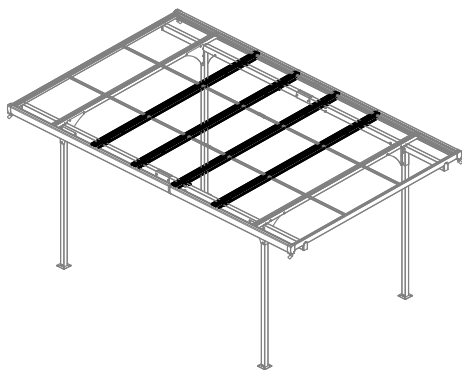
Step 4





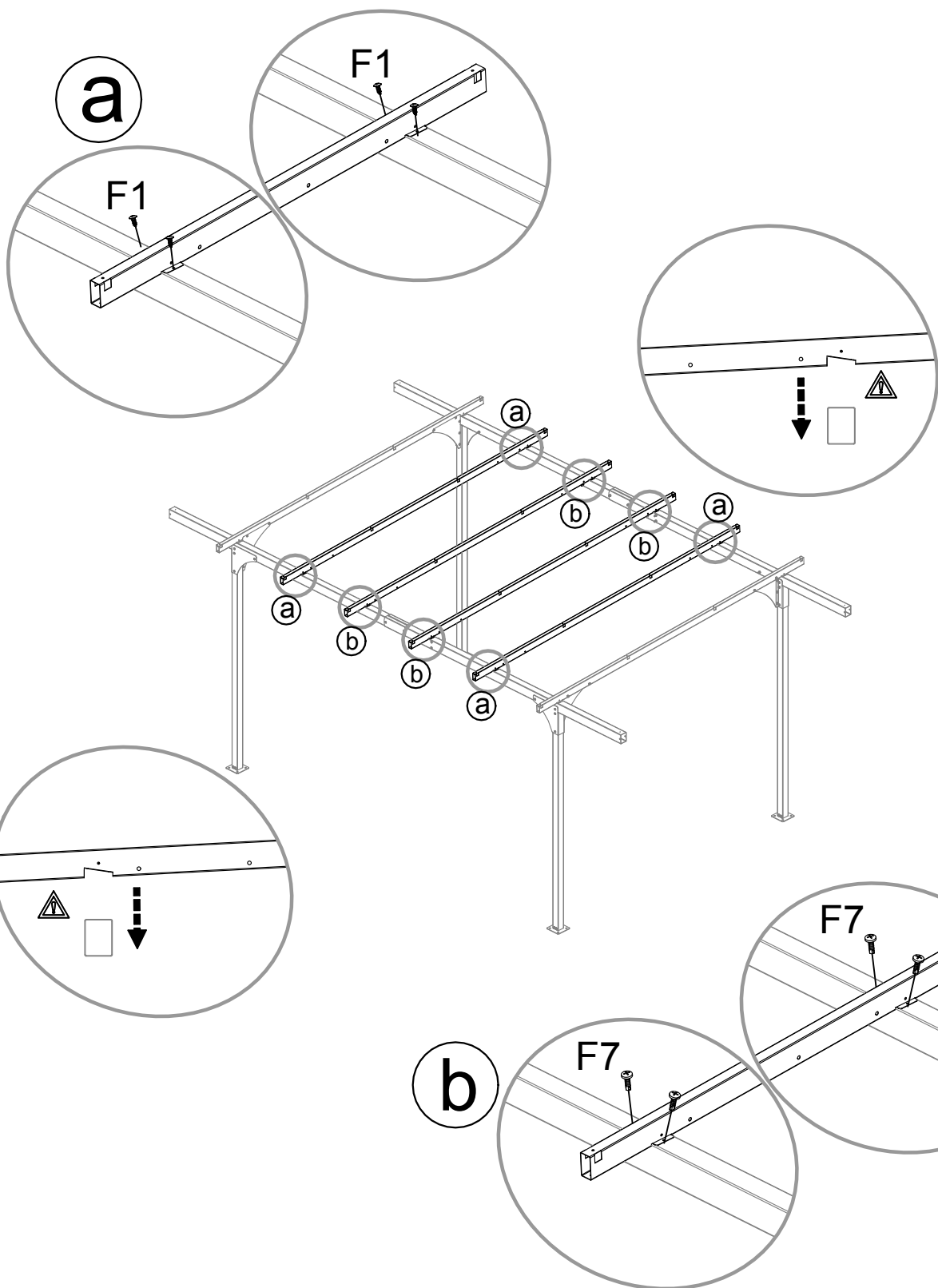
NO.	PART	Qty.
L8		2
7		2
S3		24
S2		12
F4		8
F6		4



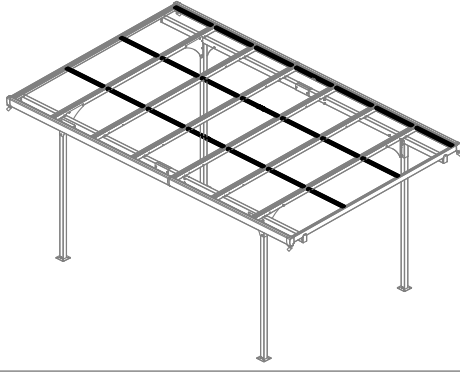
Step 5



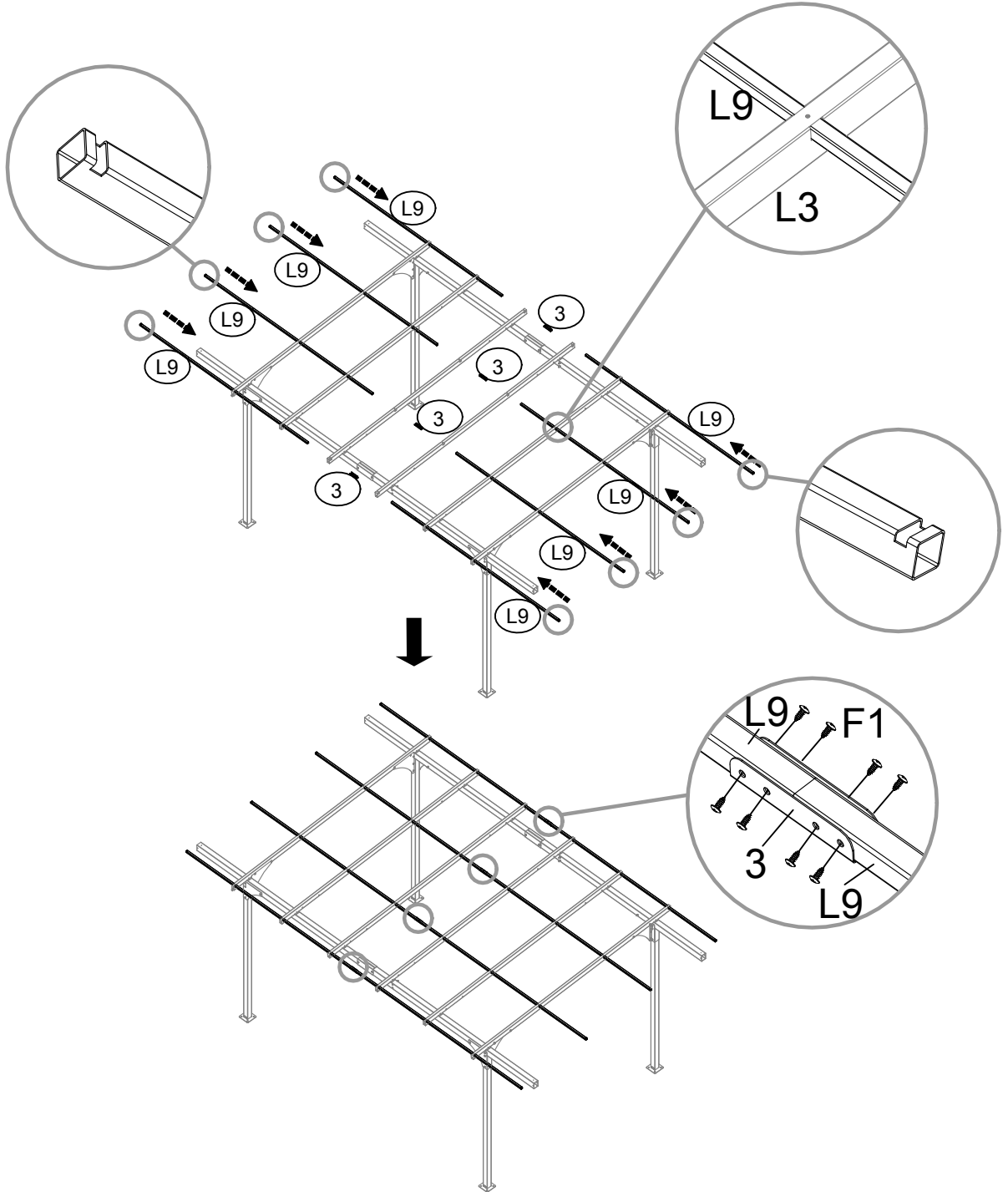
NO.	PART	Qty.
F1		8
F7		8



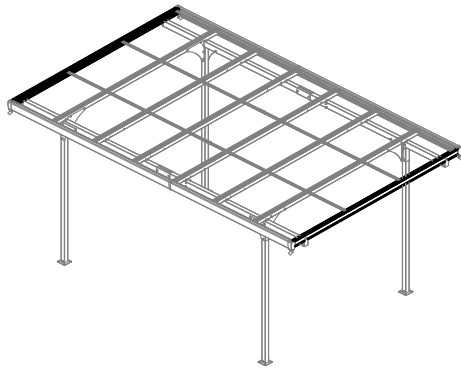
Step 6



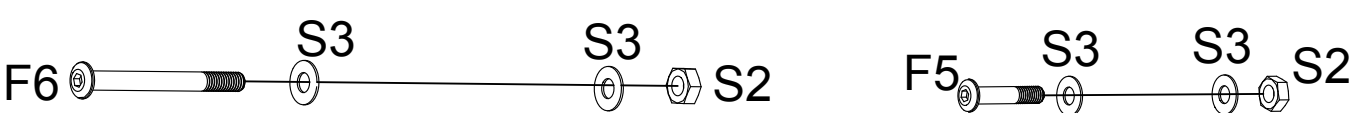
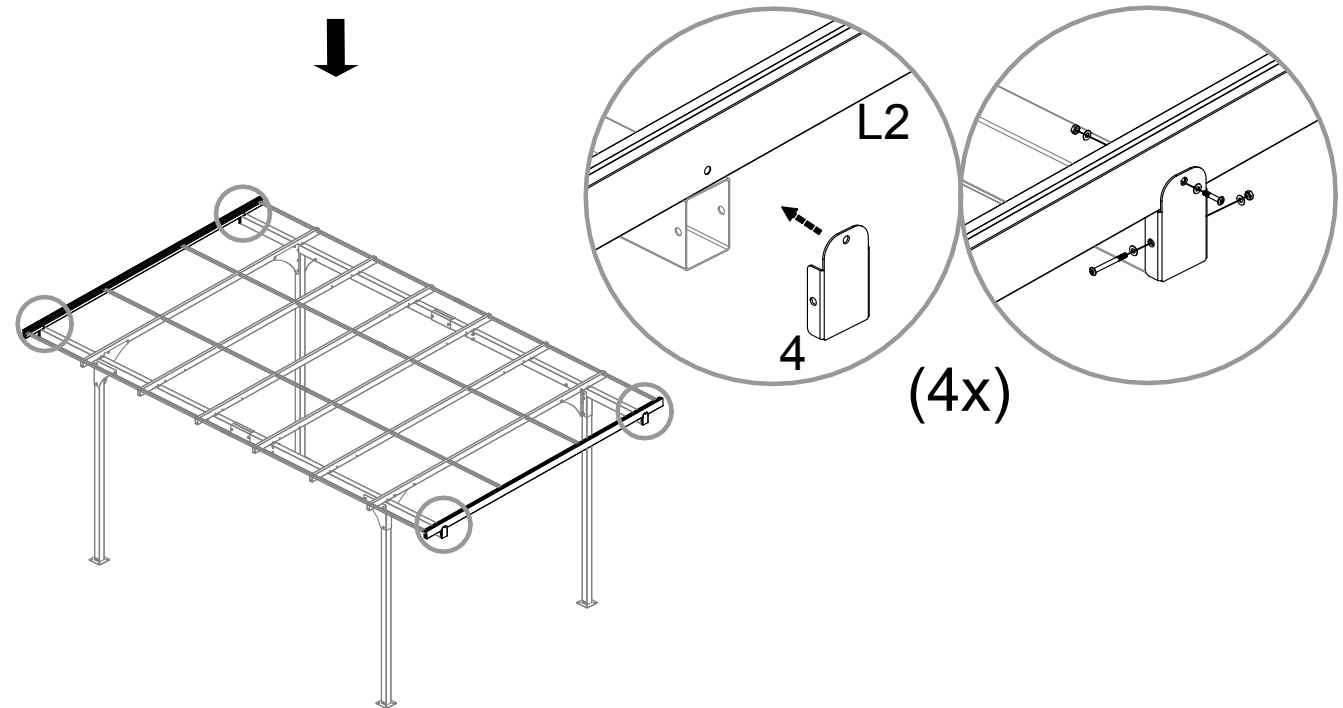
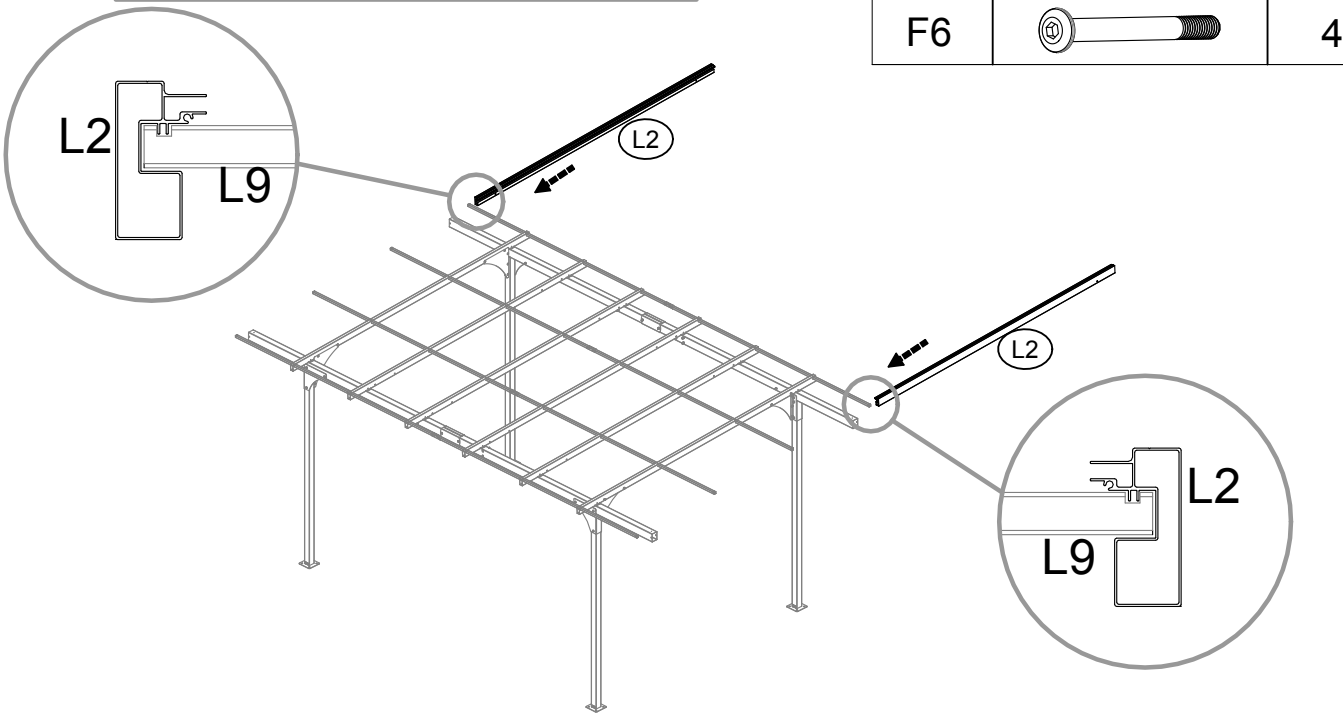
NO.	PART	Qty.
L9		8
3		4
F1		32



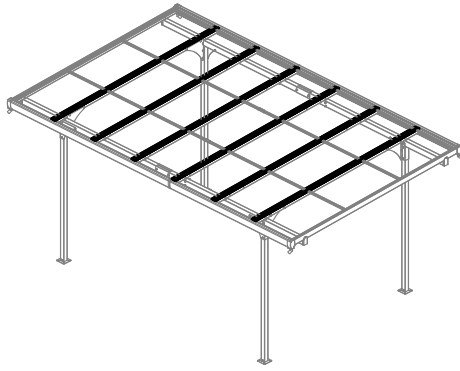
Step 7



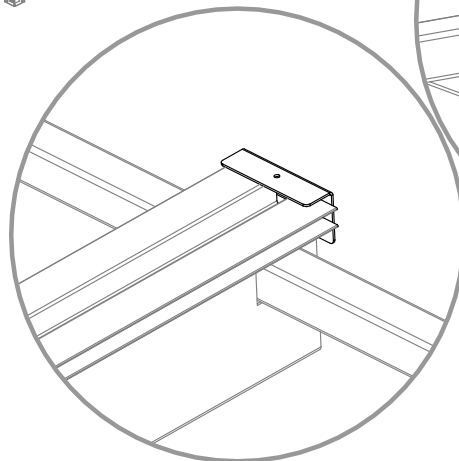
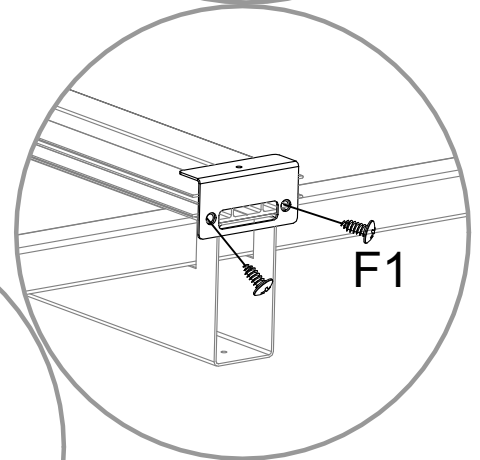
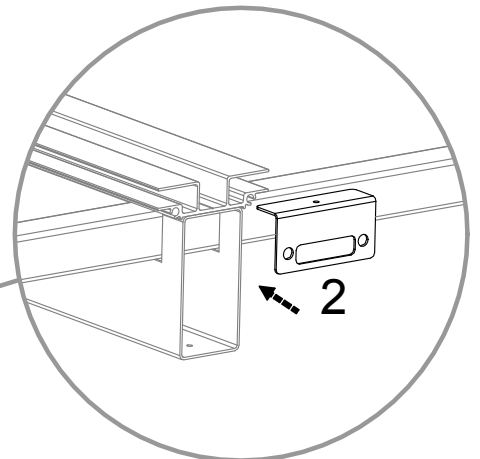
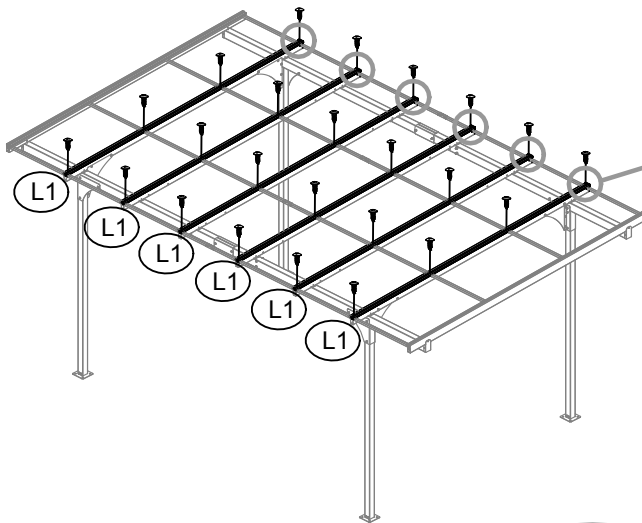
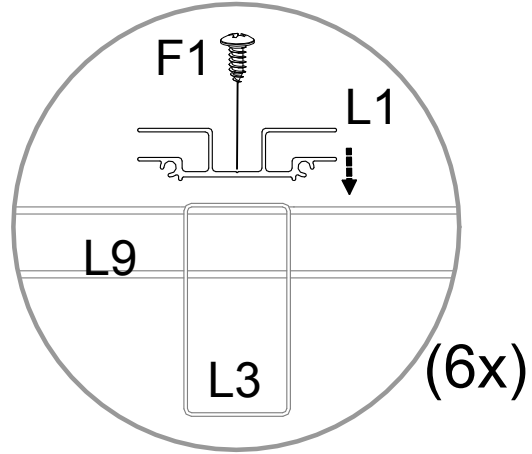
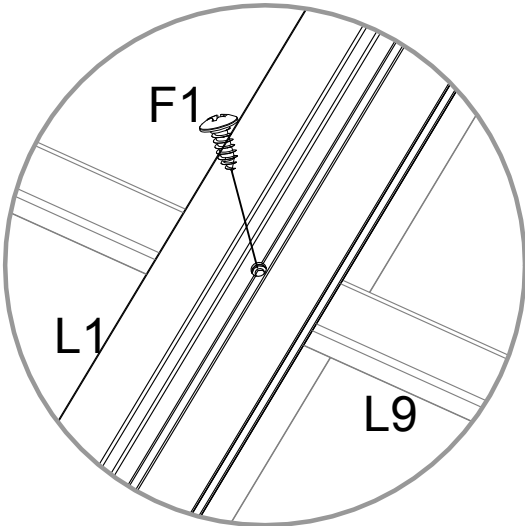
NO.	PART	Qty.
L2		2
4		4
S3		16
S2		8
F5		4
F6		4



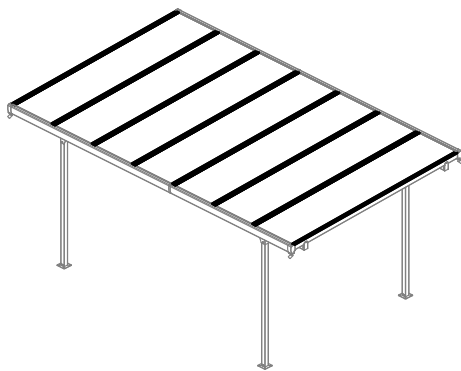
Step 8






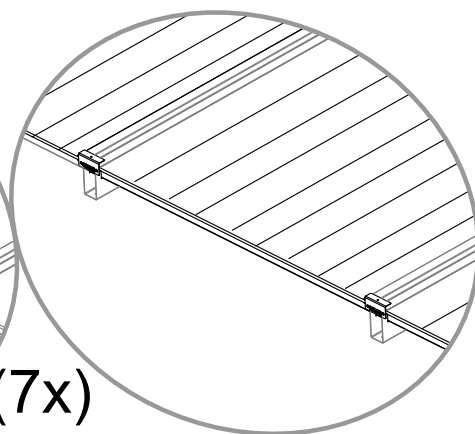
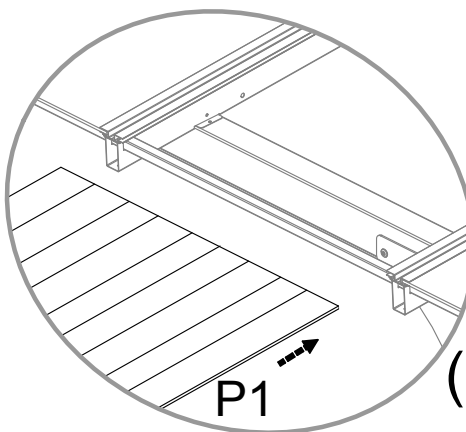
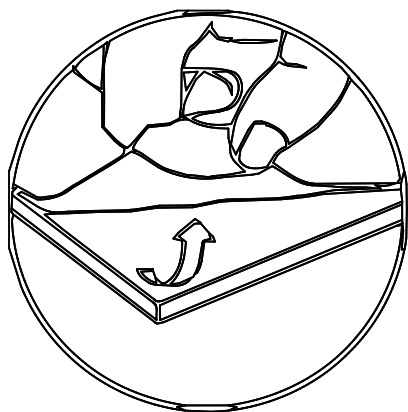
NO.	PART	Qty.
L1		6
2		6
F1		36



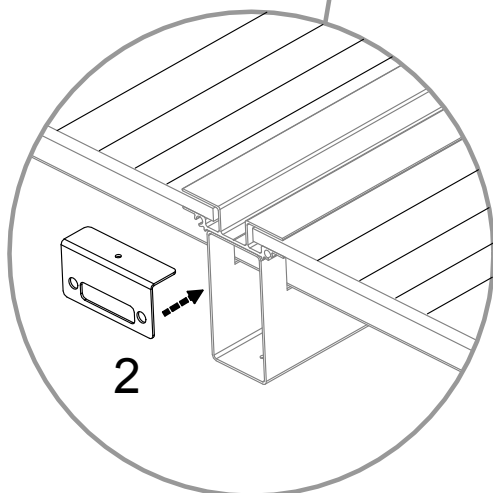
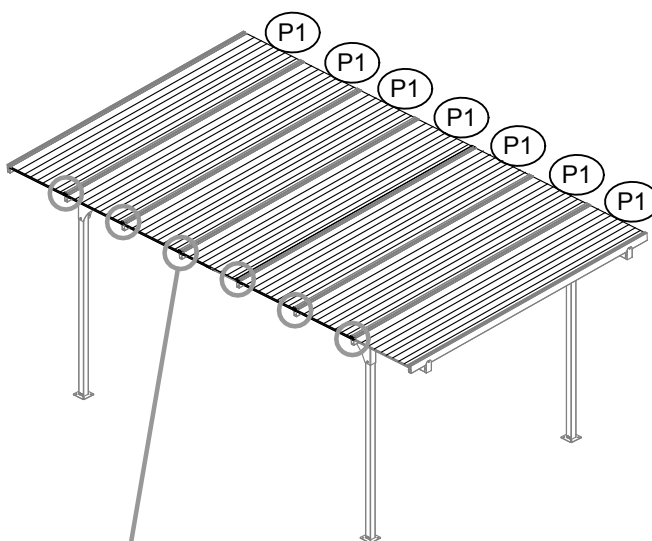
Step 9



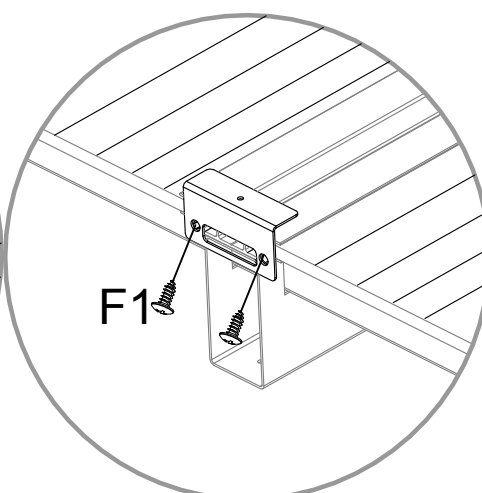
NO.	PART	Qty.
P1		7
2		6
F1		12



P1 (7x)

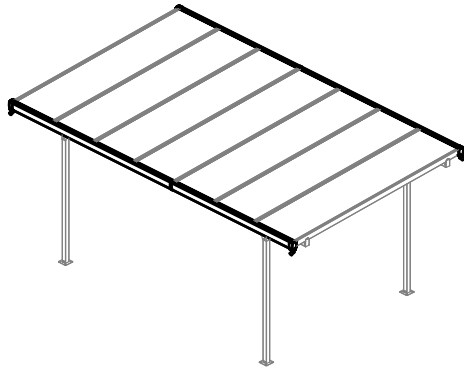


2

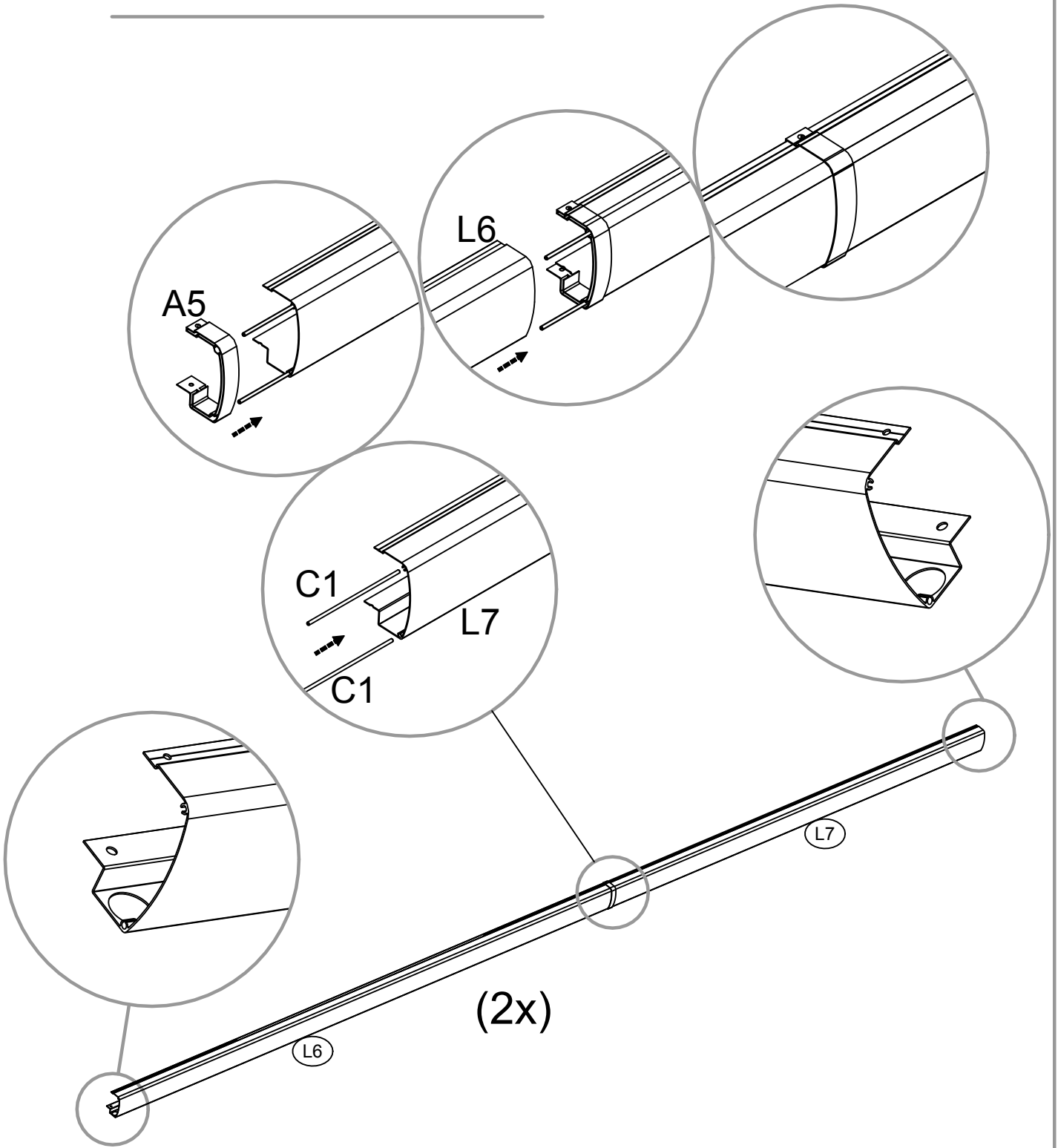


F1

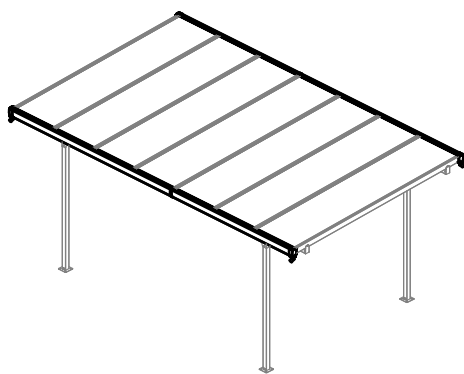
Step 10








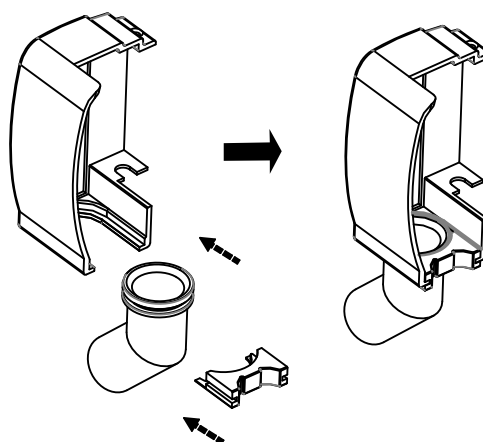
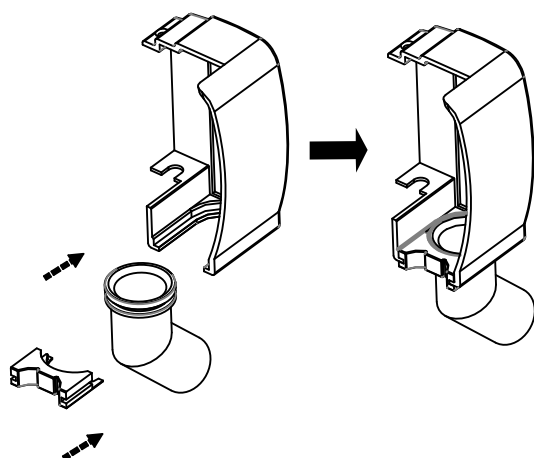
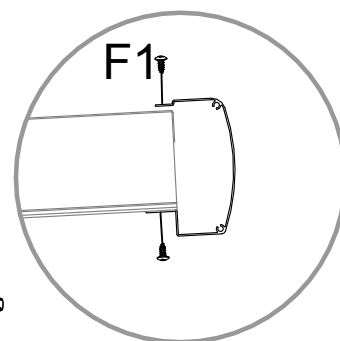
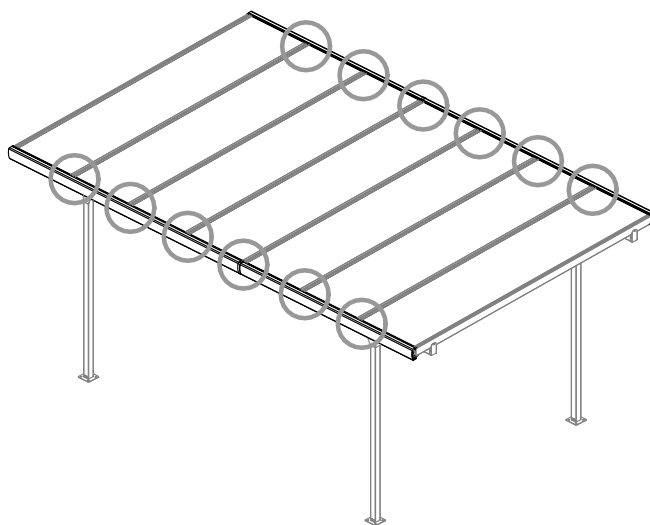
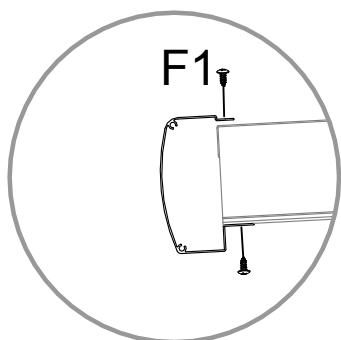
NO.	PART	Qty.
C1		4
L6		2
L7		2
A5		2



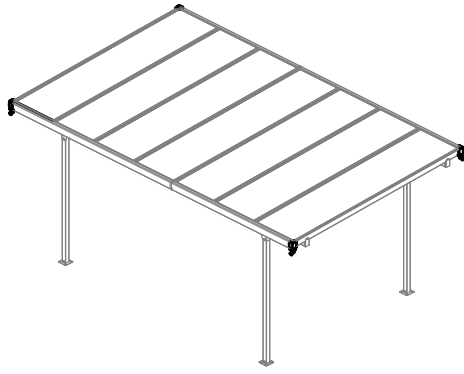
Step 10






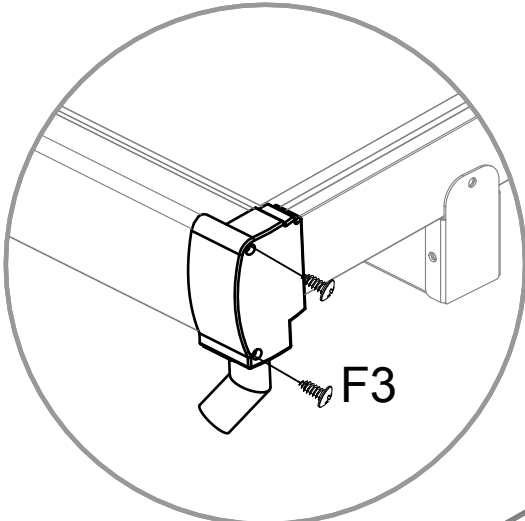
NO.	PART	Qty.
F1		24
A1		2
A2		2
A3		4
A4		4



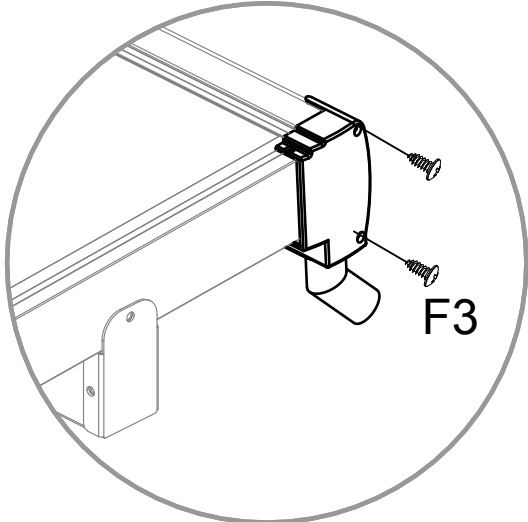
Step 10



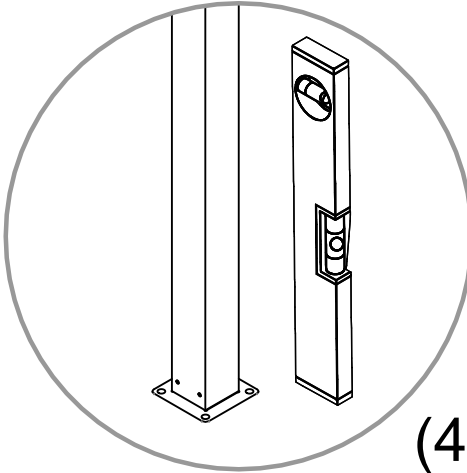
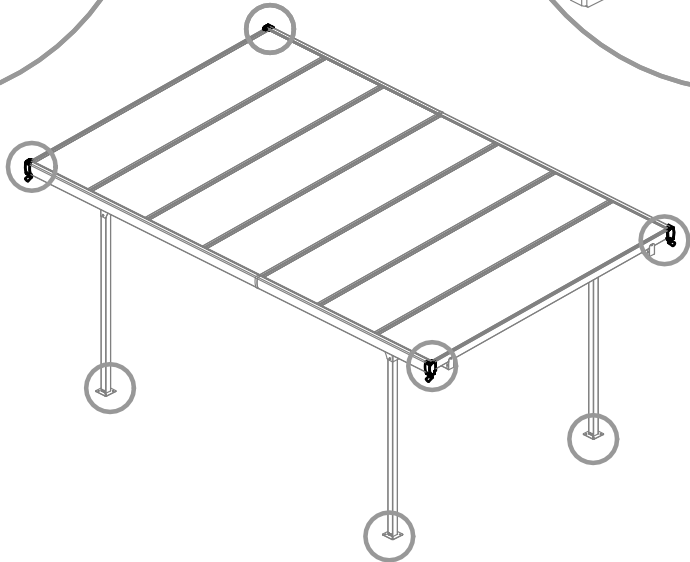
NO.	PART	Qty.
F3		8
A6		16
A7		16



(2x)



(2x)



(4x)

