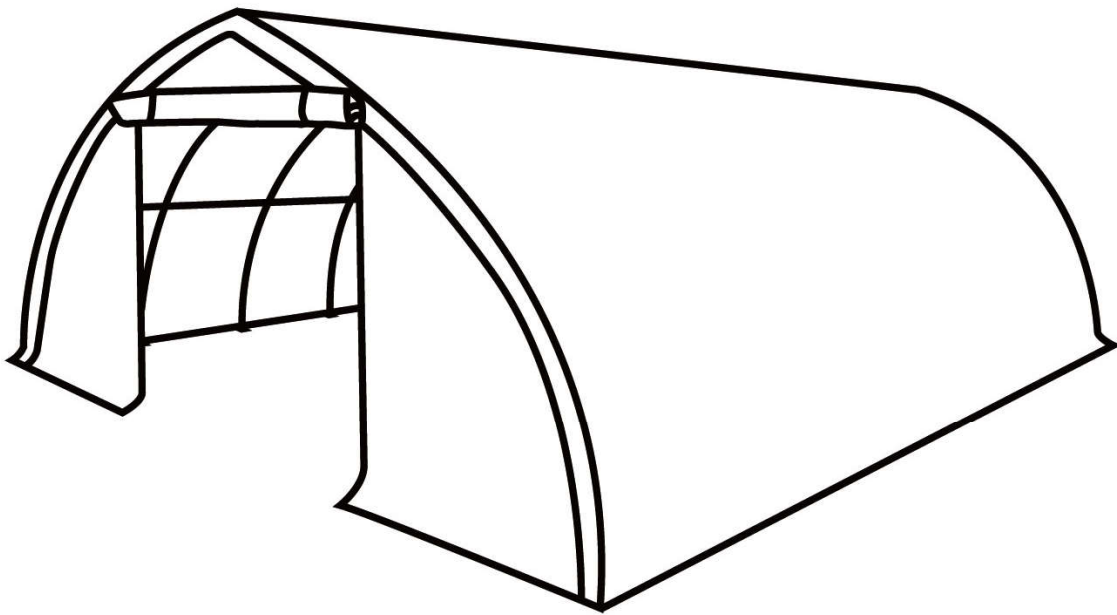


30' X 40' PVC FABRIC CEILING STORAGE SHELTER



This structure is intended for temporary outdoor storage use only. It is not designed to withstand heavy snow and wind loads and does not come with engineering drawings. To ensure suitability for your specific weather needs, it is your responsibility to verify their appropriateness for your intended use and local weather conditions, especially in areas prone to severe weather.

- Please read and understand the product manual completely before assembly
- Check against the parts list to make sure all parts are received
- Wear proper safety goggles or other protective gears while in assembly
- Do not return the product to dealer. They are not equipped to handle your requests.

Missing parts or have questions on assembly?
Please call: 1-877-761-2819 or email: cs@tmgindustrial.com

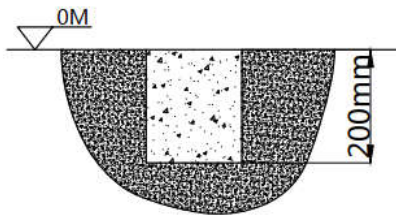
MAIN SPECIFICATIONS :

- Overall assembled size : W9.15 x L12 x H4.57 (m) / 30 x 39.4 x 15(ft)
- Front and back roll up door : W3.65 x H3.3 (m) / 12 x 10.8(ft)

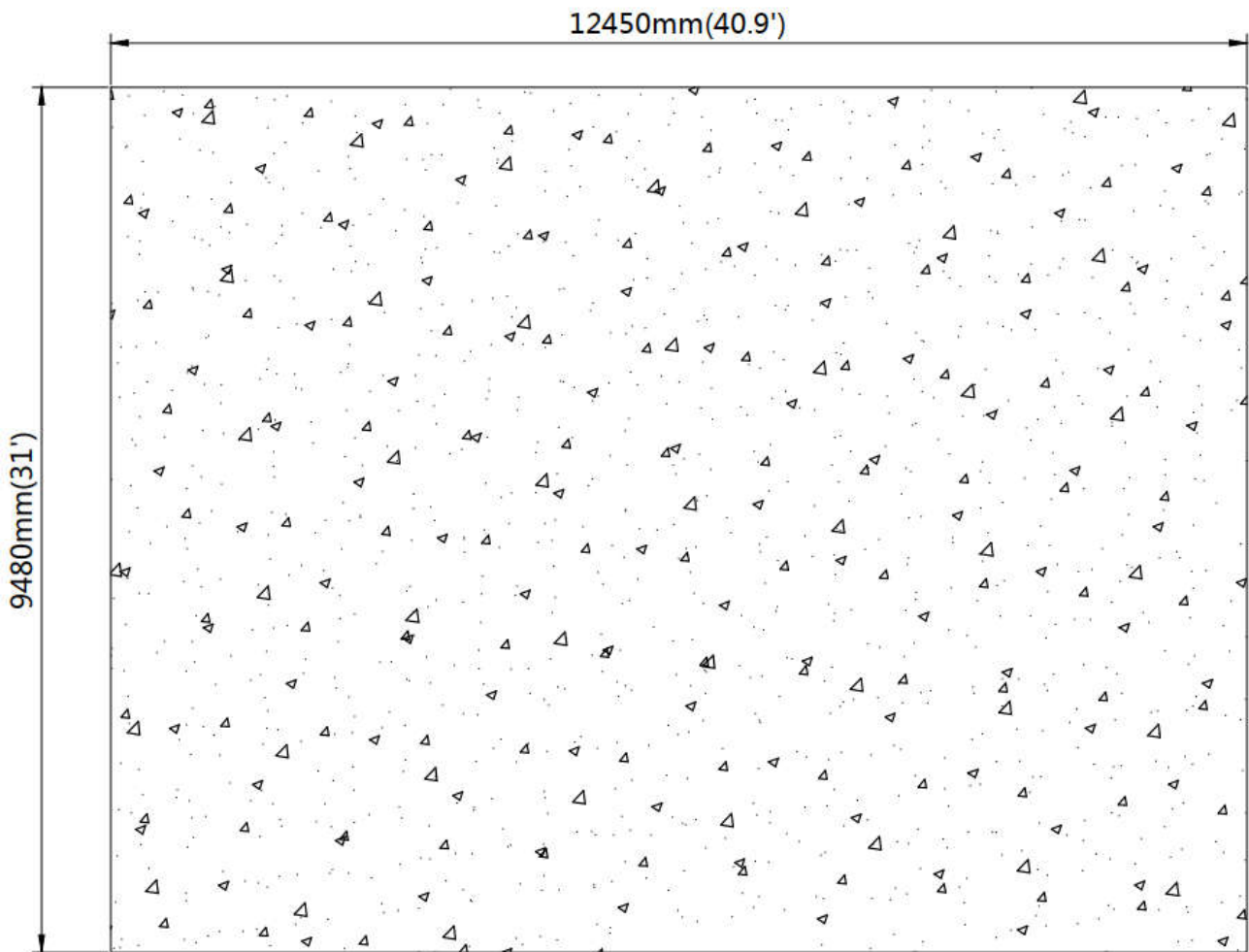
CONCRETE FOUNDATION SIZE SEE BELOW FIGURE.

- The layout of foundation(one).

Depth of cement



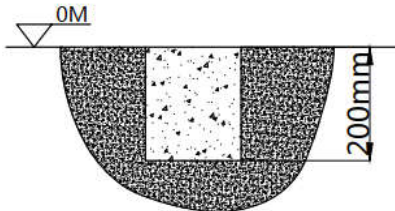
Unit : mm(ft)



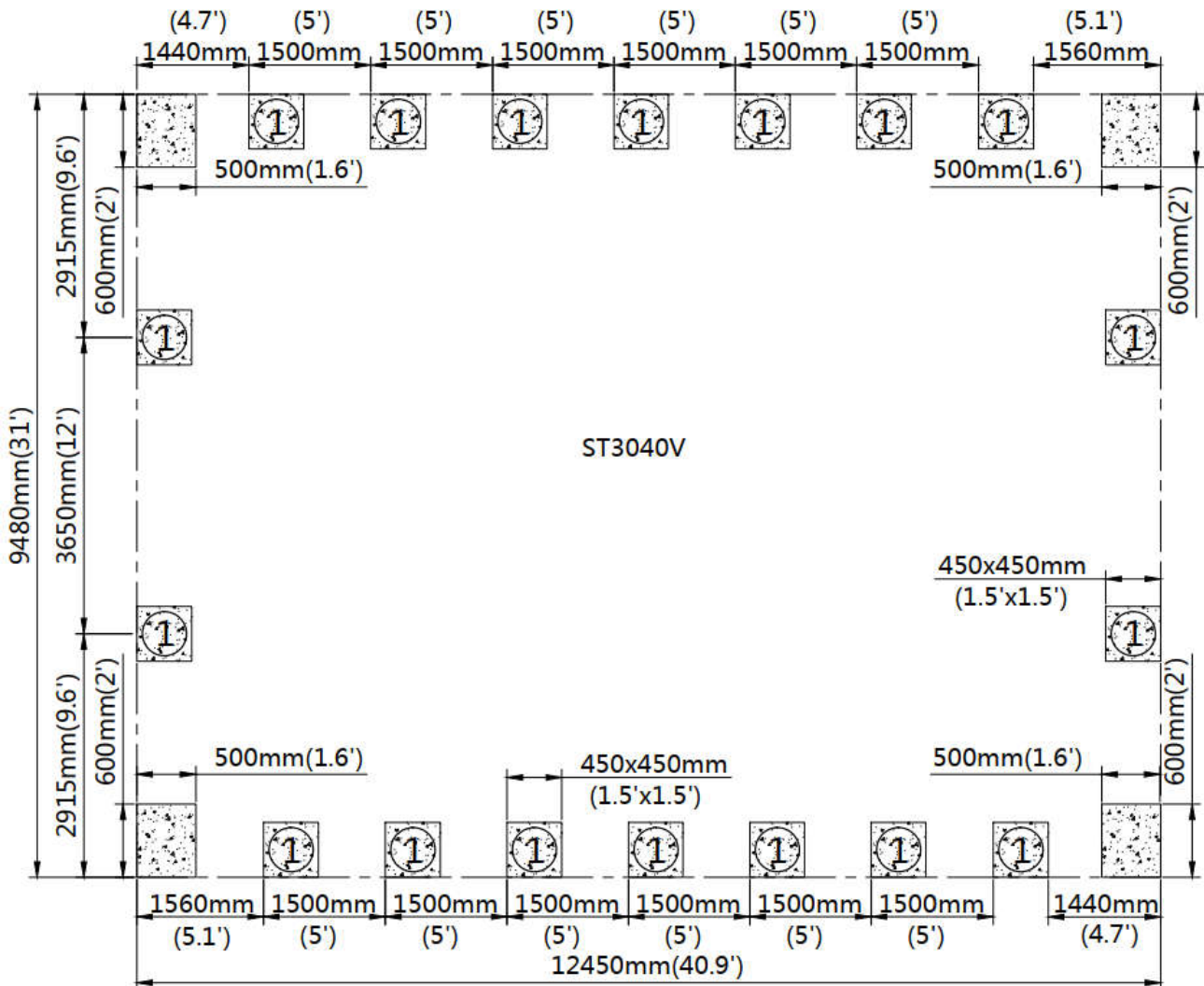
- The layout of foundation(two).

Note: the ground anchor is installed on the cement block.

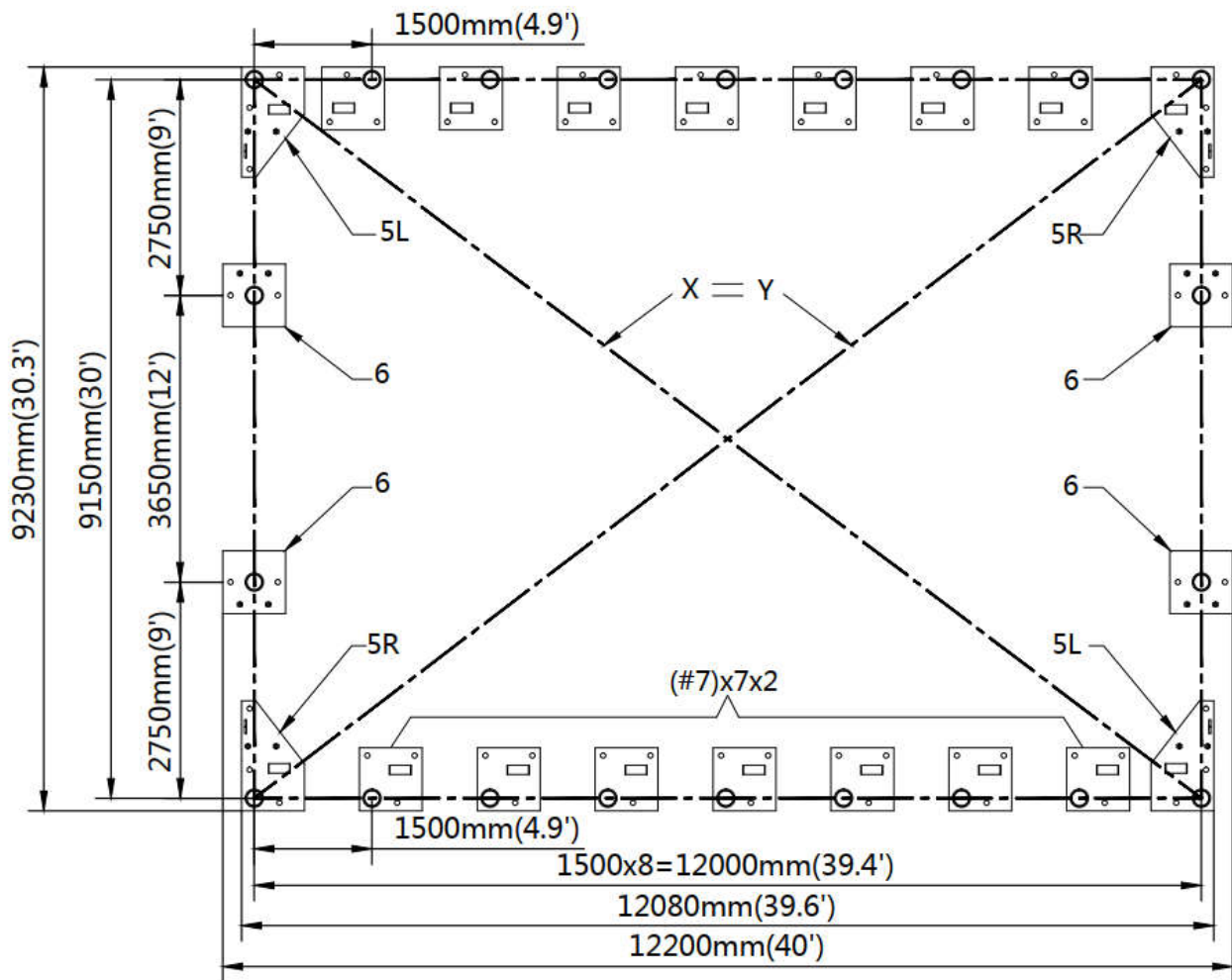
Depth of cement



Unit : mm(ft)



- Baseplate layout.



PRIOR TO ASSEMBLY

Please read the instructions carefully before installation. It is important to follow your local safety regulations and industry standards during installation. Regulations may include but are not limited to:

- Safety helmets, protective eyewear, and clothing
- Safety harnesses for all elevated workers
- Proper ladder, cage, and safety operation

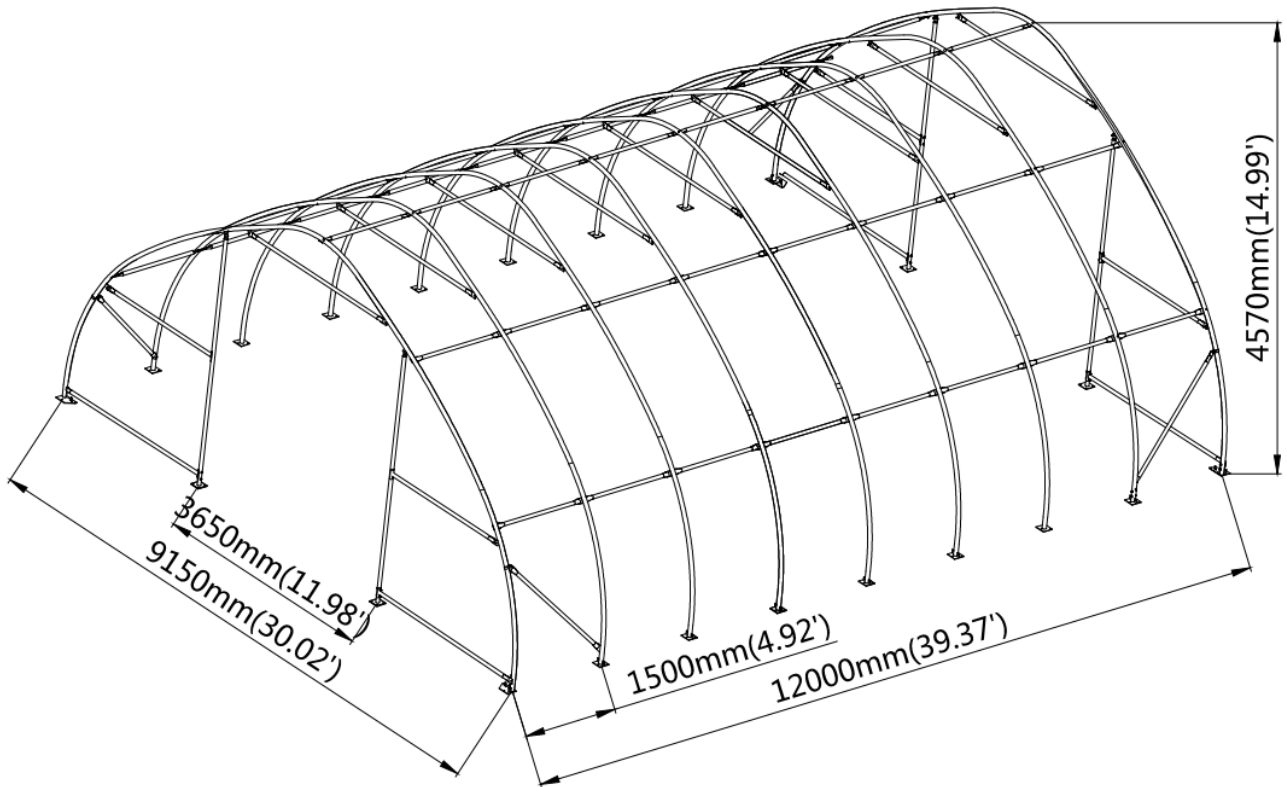
Check all components and parts before installation. All parts are marked with a part number, please refer to the parts list to make sure you have all parts.

Choose a day with low or no wind to install, assembly is hard in heavy wind. Do not make any alterations to the structure. Do not hang any weights on the frame during installation, including parts. We are not responsible for any damages or injuries caused by inappropriate installation, unauthorized modifications or extreme weather.










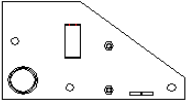
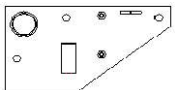

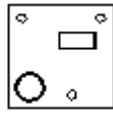



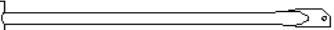

This building is not intended for human occupancy.


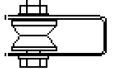

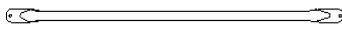

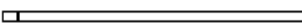
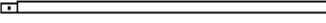
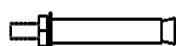
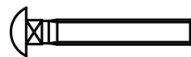
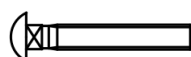
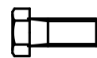
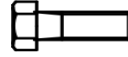


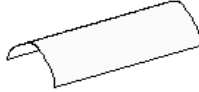
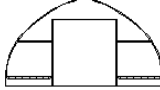



It is recommended to tape or add foam/rubber on the frame where joints connect and where it touches the cover. This will help extend the life span of the cover.

FRAME STRUCTURE DIAGRAM.



TMG-ST3040V PART LIST

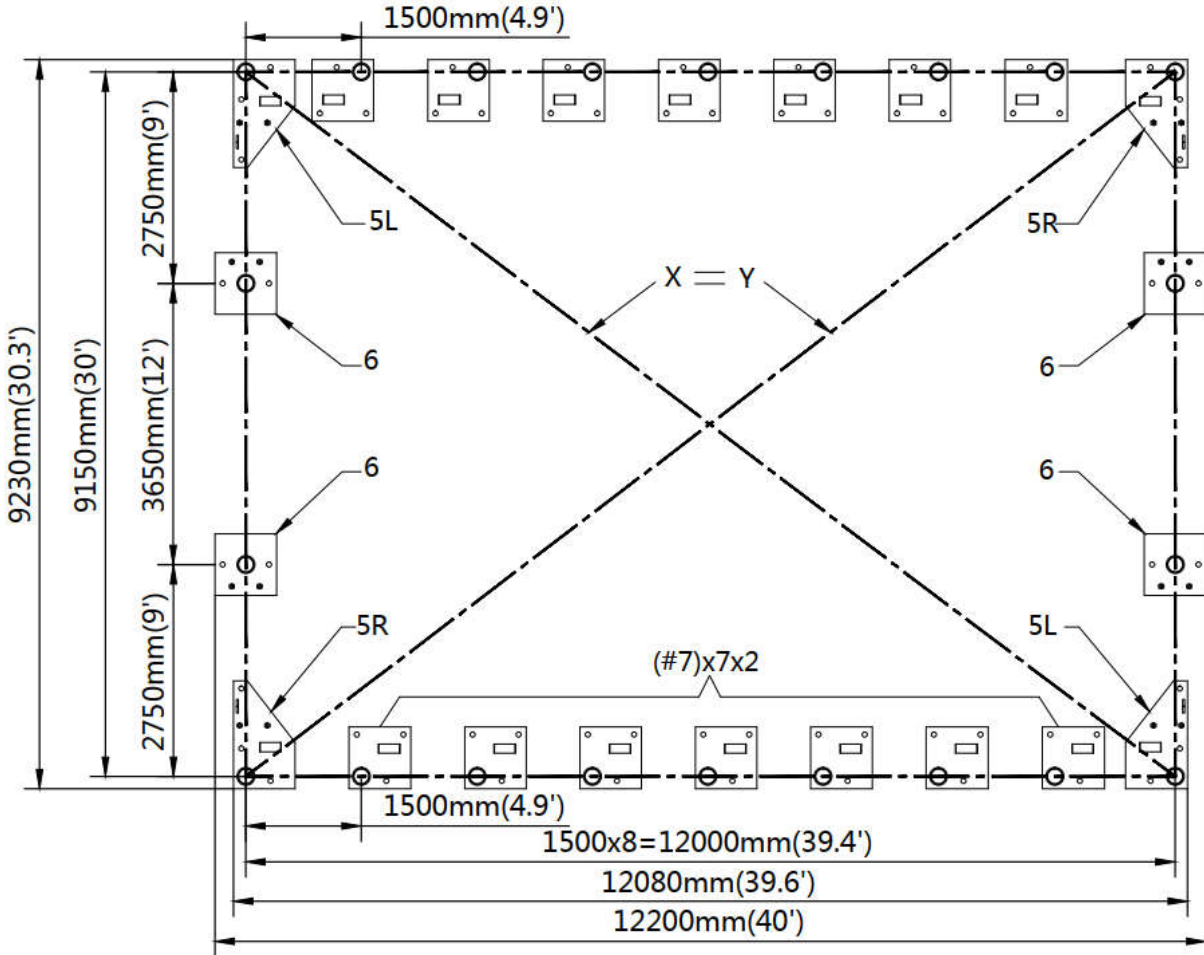
PARTS CODE	GRAPHICAL	DESCRIPTION	LENGTH	QTY
1		Peak arch tube	L2333mm	9
2		Upper rafter tube (middle truss)	L2886mm	14
2A		Upper rafter tube (front and rear trusses)	L2886mm	4
3		Lower rafter tube (middle truss)	L2838mm	14
3A		Lower rafter tube (front and rear trusses)	L2838mm	4
4		Roof purlin (horizontal tube)	L1440mm	40
4A		Middle truss connectors	L180mm	70
4B		Front and rear connectors	L121mm	10
4C		Self-tapping screws	#12x25mm	45
5L		Left corner baseplate (front and rear trusses)	W200xL350mm	2
5R		Right corner baseplate (front and rear trusses)	W200xL350mm	2
6		Door column baseplate (front and rear trusses)	W150xL200mm	4
7		Middle truss baseplate	W200xL200mm	14
7A		Ratchets	3T	18
8		Door frame lower tube (front and rear trusses)	L1920mm	4
9		Door frame upper tube (front and rear trusses)	L1800mm	4
10		Door frame middle tube (front and rear trusses)	L2090mm	4
11		Ceiling cross bar	L2480mm	9

11A		Rope pulley	L130mm	2
11B		Rope pulley	L85mm	2
12		Bottom tension bar (front and rear cover)	L2560mm	4
13		Diagonal bracing bar (for 1st and last span)	L2070mm	4
13A		Tube clamp	φ58mm	8
14		Top cover tension tube (for both bottom sides)	L1993mm L500mm	12+2
15		Door dropping tube	L1993mm L1750mm	2+2
16		Expansion bolt (not included)	φ16x150mm	62
17		Half round head bolt	M8x60mm	80
18		Half round head bolt	M8x70mm	124
19		Hex bolt	M10x30mm	26
19A		Hex bolt	M10x50mm	8
20		Nylon rope	L12m	4
21		Water plug	φ32mm	16
22		Top cover	W12.66xL14.14m	1
23		Front and rear cover panel	W4.66xL9.09m	2
24		Braided rope	φ8x160m	1 bundle
25		Tension band	L800mm	18
26		Scratch resistant tape	L10m	2

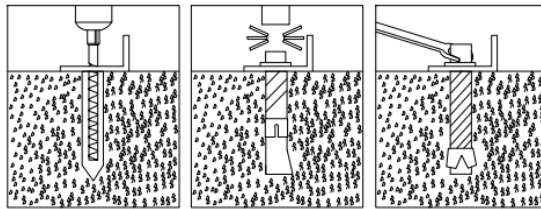
INSTALLATION STEPS

STEP 1 : REVIEW THE WHOLE STRUCTURE AND CHOOSE THE PROPER INSTALLATION SITE.

- Mark the ground in the final building location with a line showing the positions of base plates, front doors. All lines should be drawn from center to center of all baseplate tubes. Diagonal line X must be equal to Y.



- Installation diagram of expansion bolt.

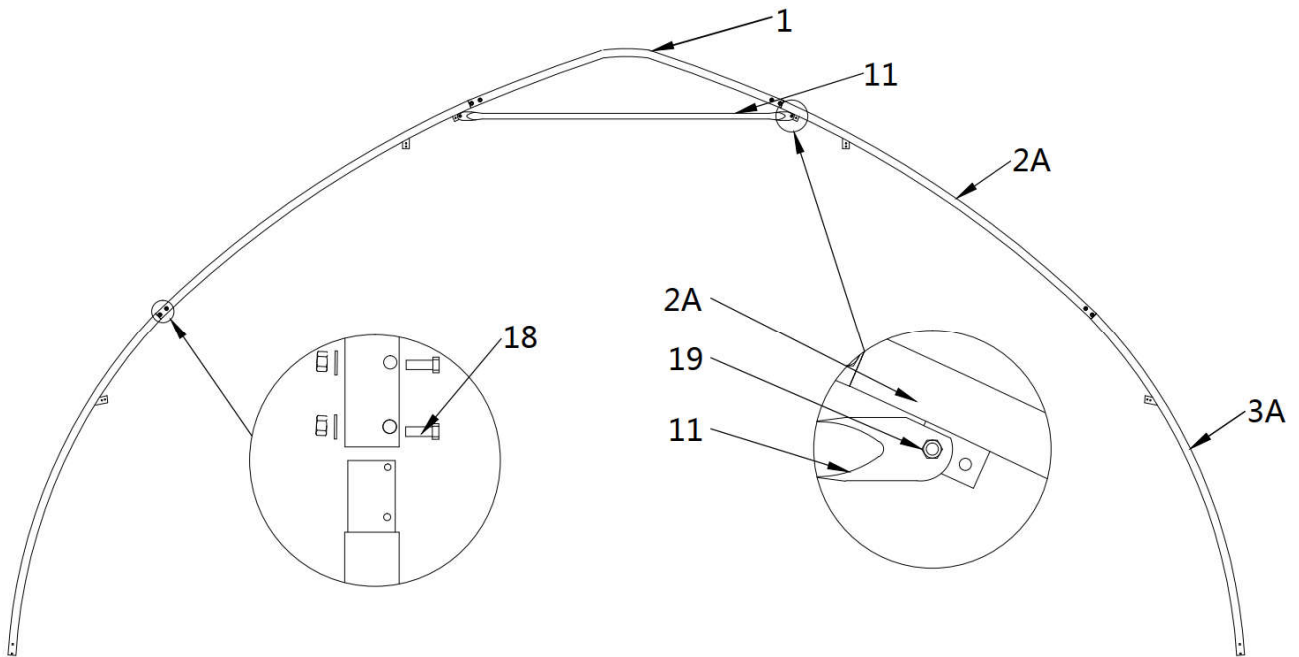


NO.	PART	QTY
5L		2
5R		2
6		4

NO.	PART	QTY
7		14
16		62

STEP 2 : ASSEMBLE ALL TRUSSES.

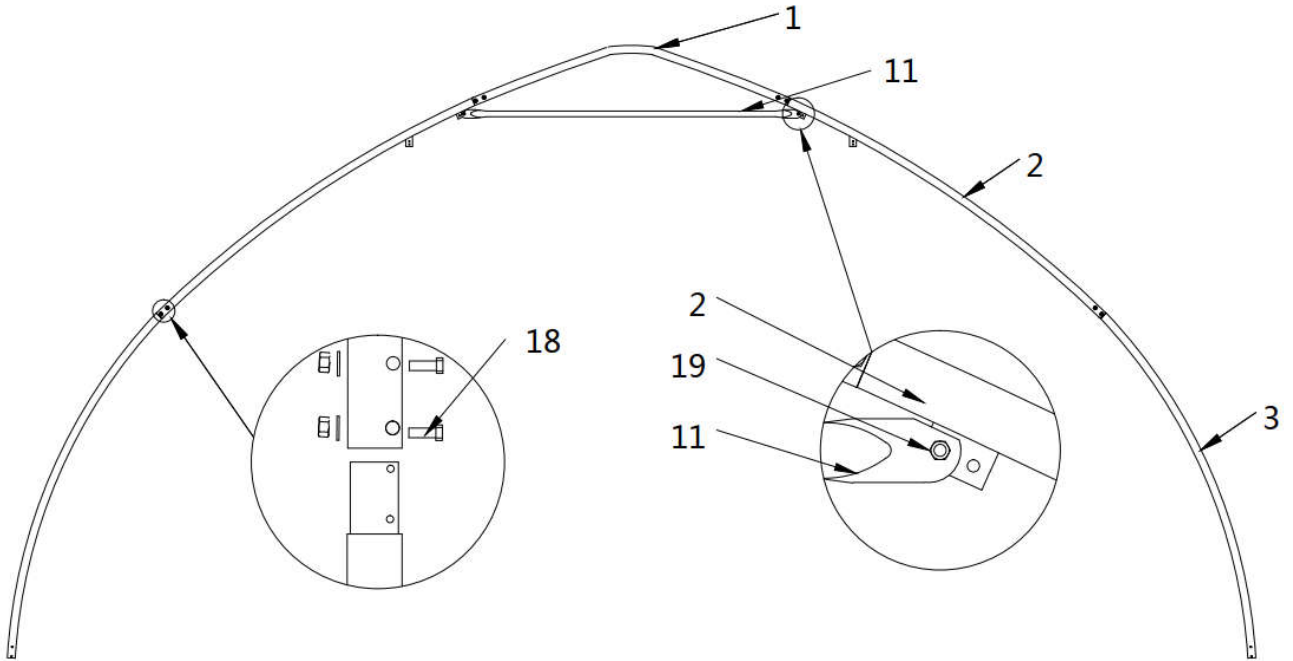
- The building includes 9 trusses : (1) front truss, (1) rear truss, and (7) middle trusses.
- Install front and rear trusses.






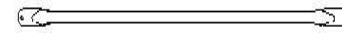
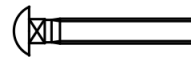

NO.	PART	QTY
1		1x2
2A		2x2
3A		2x2

NO.	PART	QTY
11		1x2
18		8x2
19		2x2

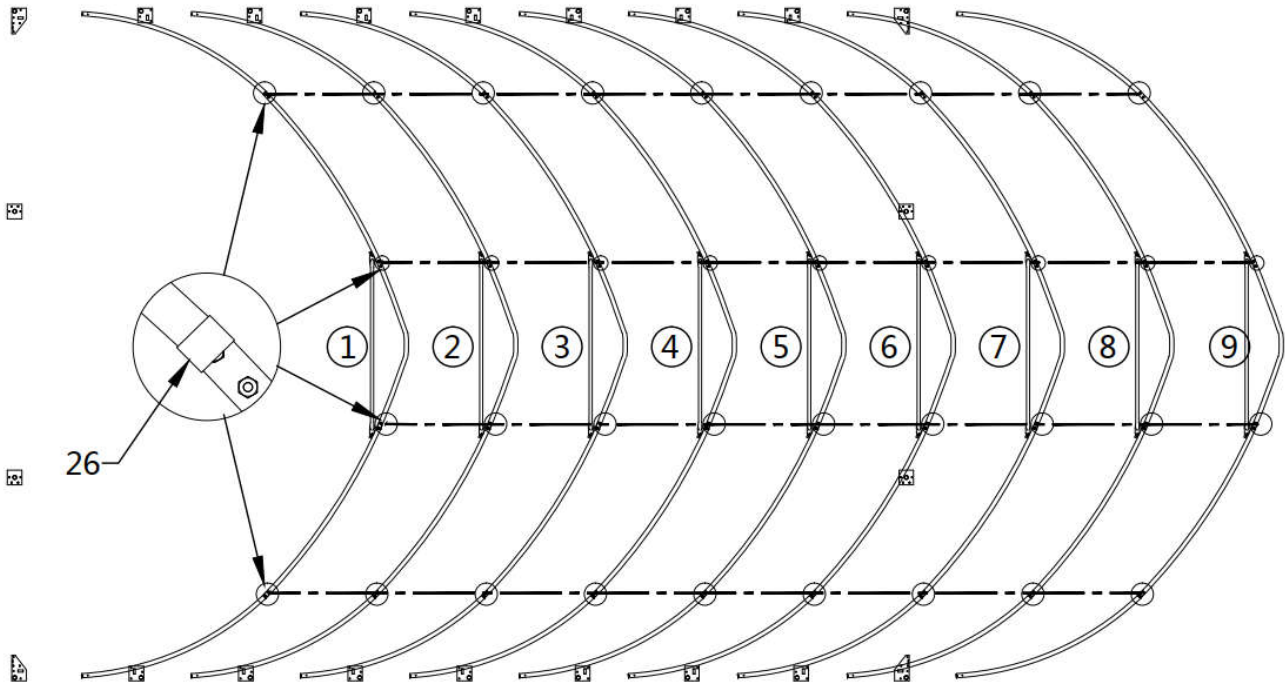
- Install (7) middle trusses.



NO.	PART	QTY
1		1x7
2		2x7
3		2x7

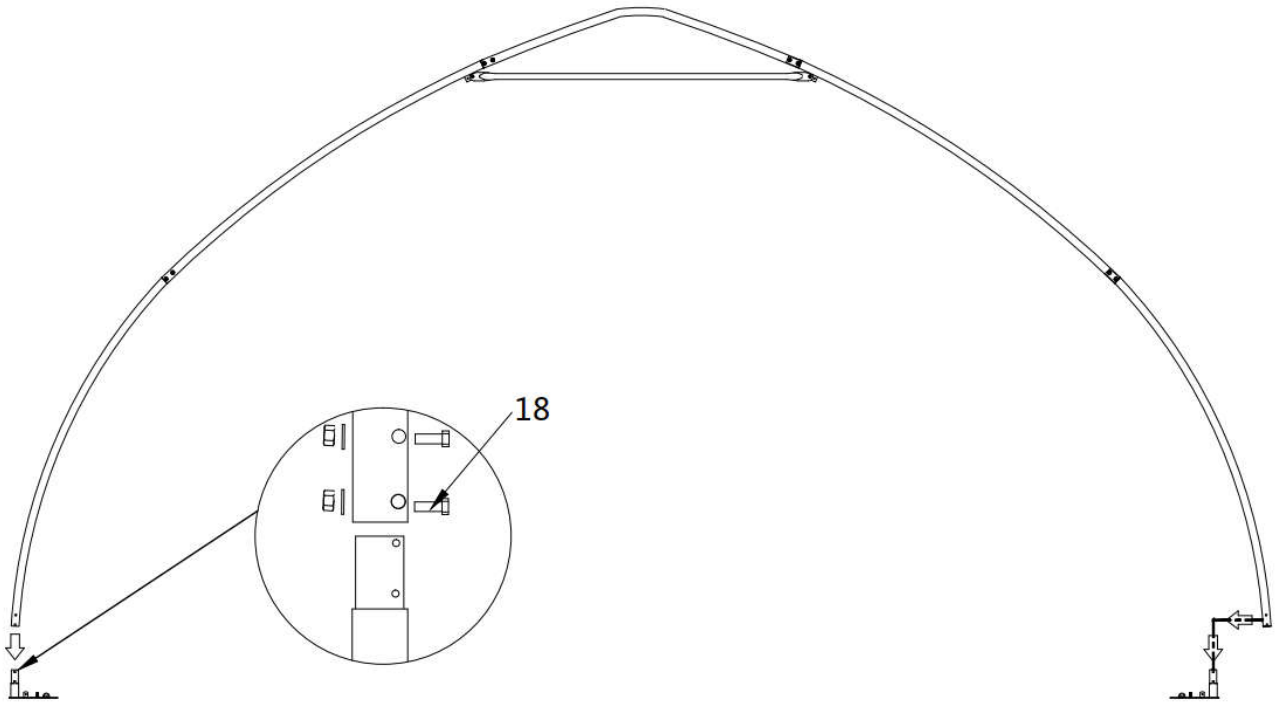
NO.	PART	QTY
11		1x7
18		8x7
19		2x7


- Lay down all (9) trusses on the ground when the assembly is all completed and before moving to next step, and then wrap (#26) around the sharp points of the joint to avoid friction between the fabric and the interface, resulting in fabric damage.



NO.	PART	QTY
26		2

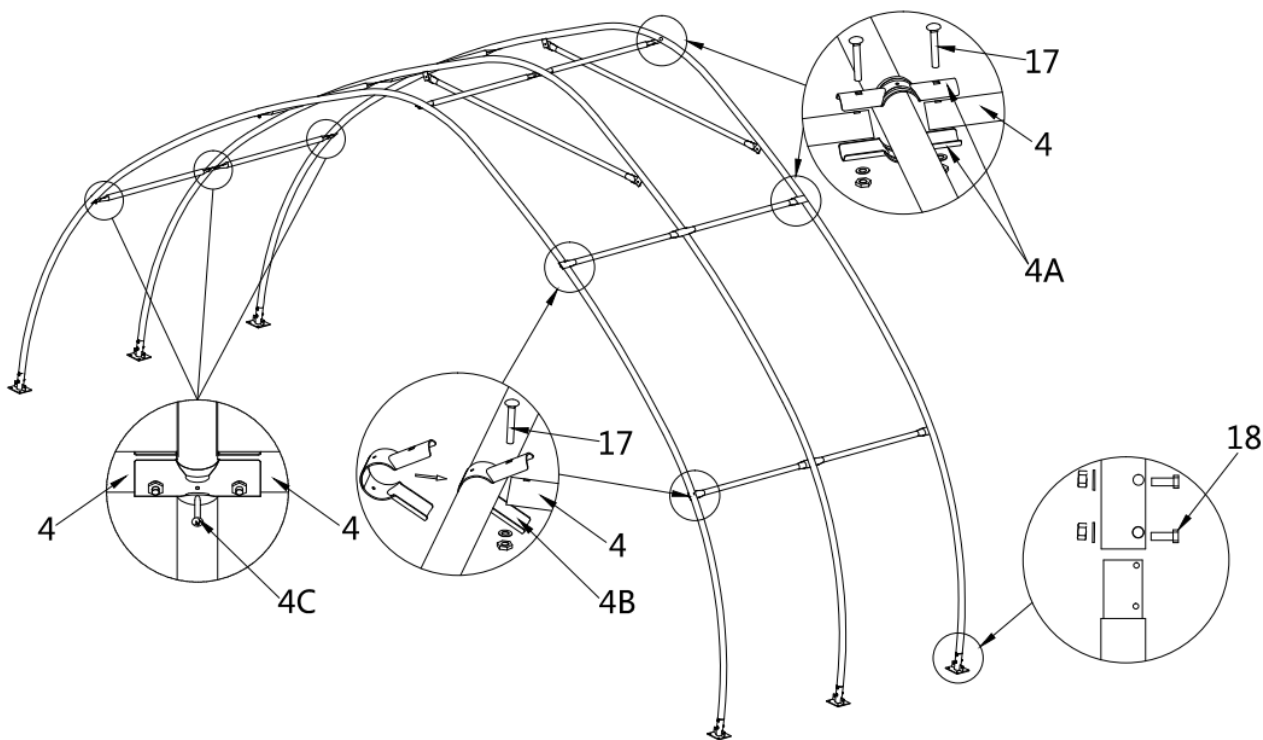
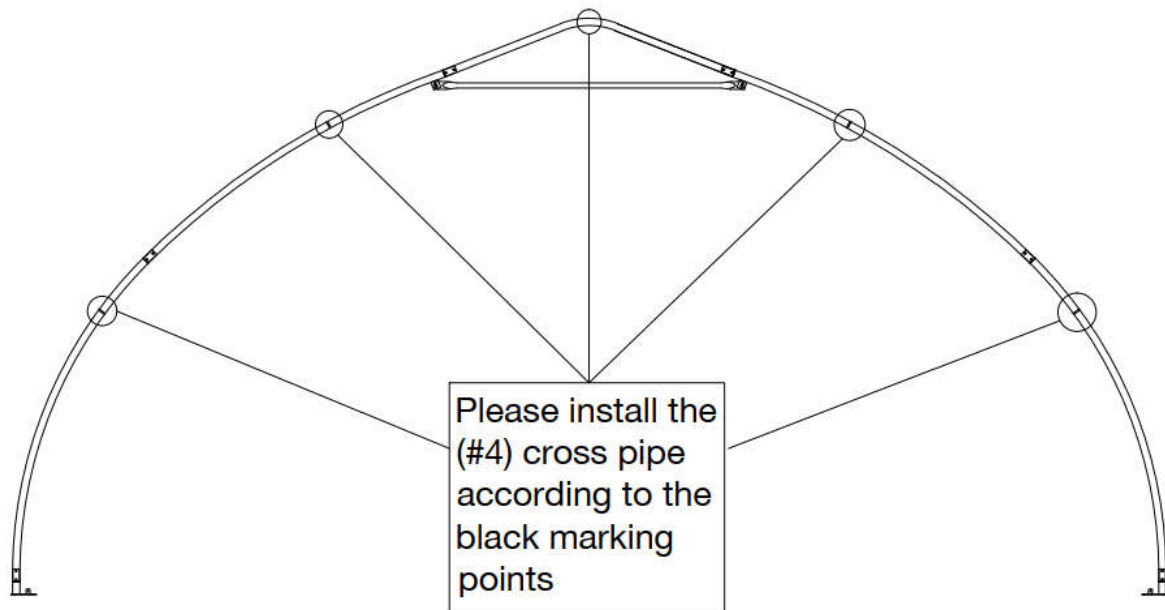
STEP 3: PUT UP THE FRONT TRUSS.



NO.	PART	QTY
18		4

STEP 4 : PUT UP THE REST TRUSSES.

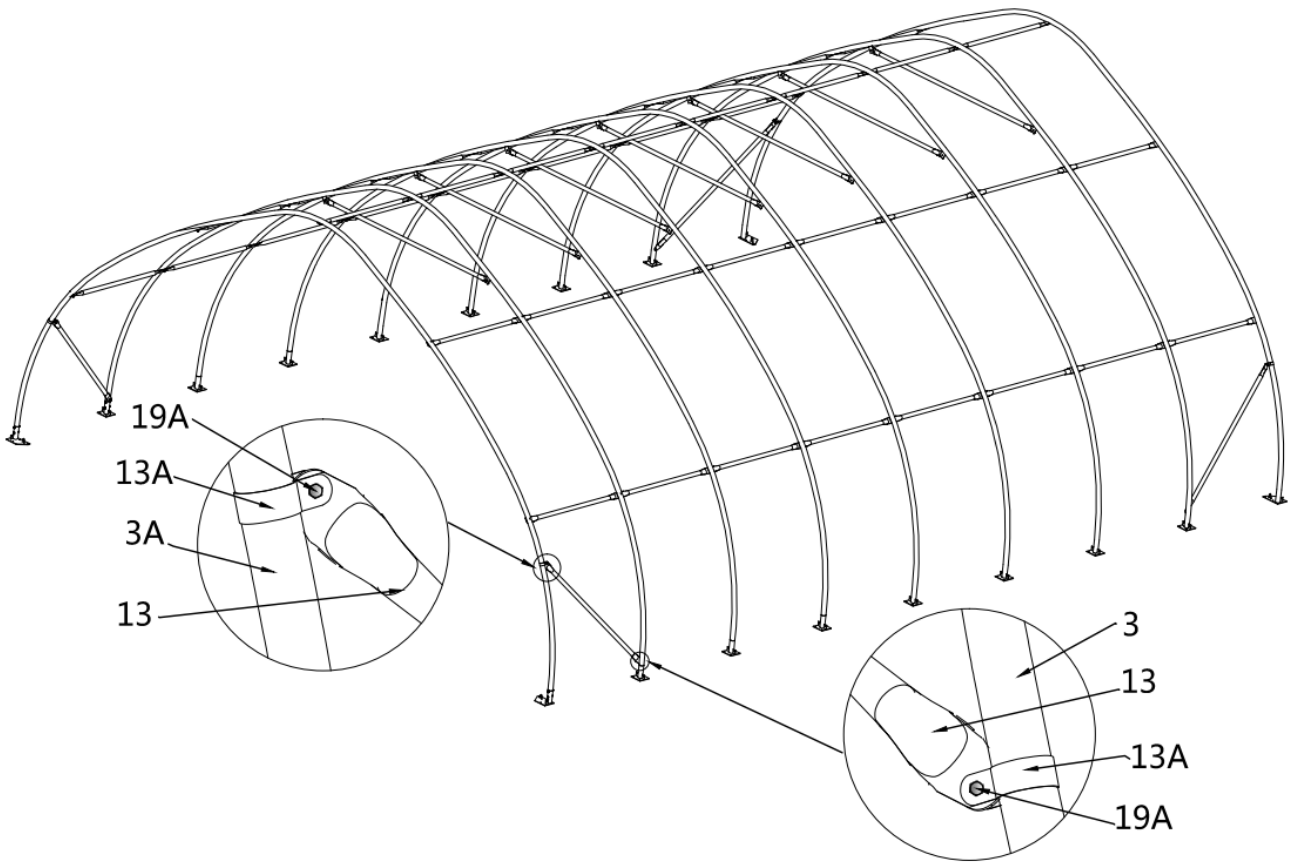
- Refer to Step 3 to put up the rest trusses, connect all purlins (#4) with bolt (#17) and secure all bolts firmly on each span before going to next truss.

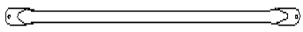

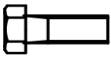


NO.	PART	QTY
4		40
4A		70
4B		10

NO.	PART	QTY
4C		45
17		80
18		32

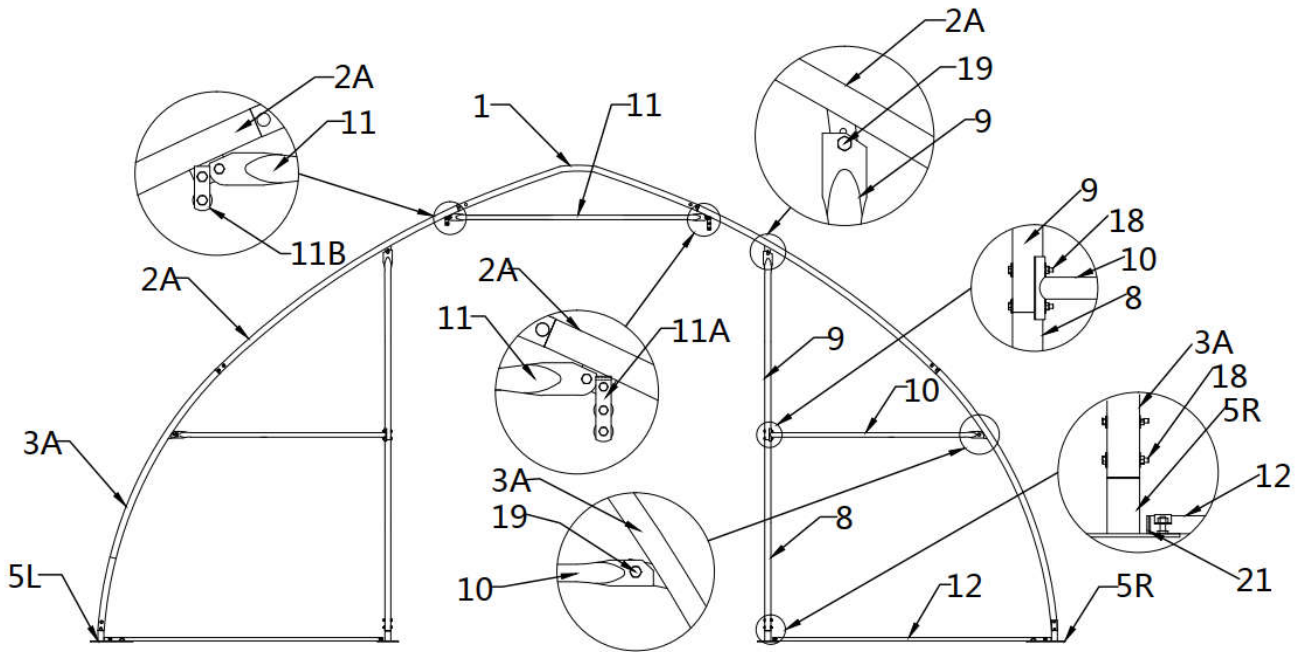
STEP 5 : INSTALL THE DIAGONAL BRACING BARS (#13).



NO.	PART	QTY
13		4
13A		8
19A		8

STEP 6 : FRONT AND REAR TRUSSES TO COMPLETE.

- Install rope pulley (#11A) on the right, (#11B) on the left as shown.

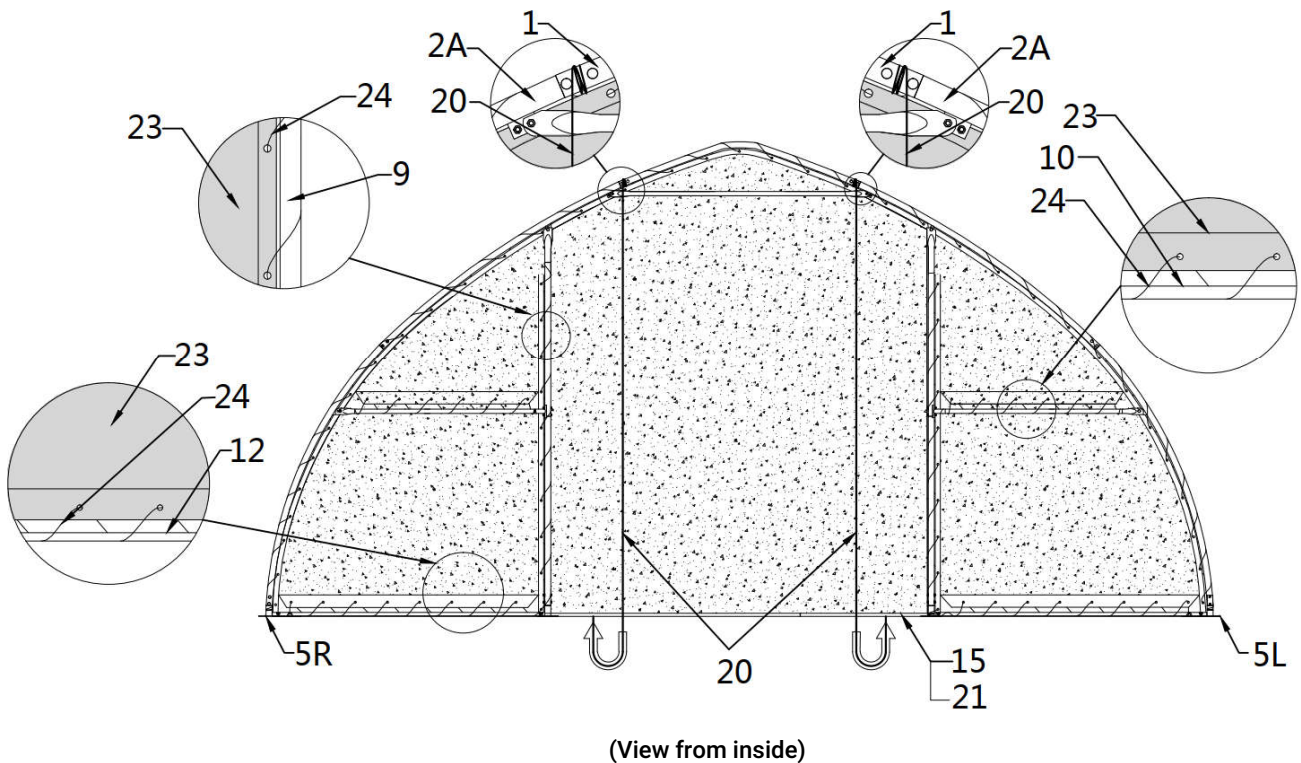


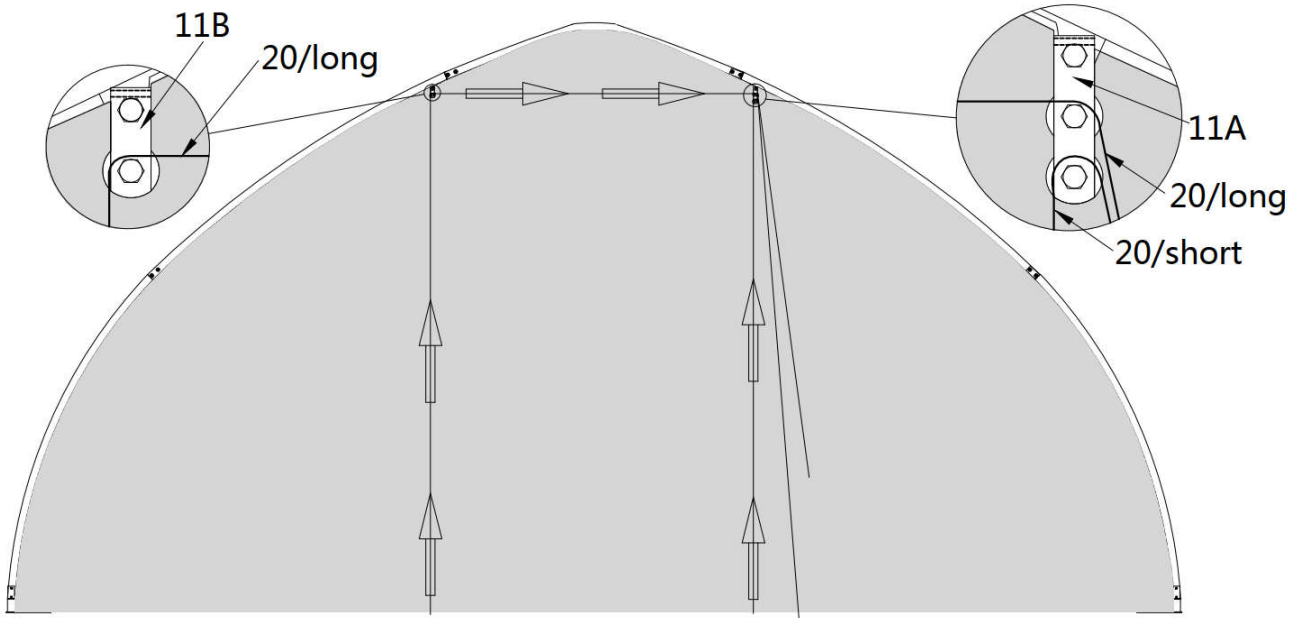
NO.	PART	QTY
8		2x2
9		2x2
10		2x2
11A		1x2
11B		1x2

NO.	PART	QTY
12		2x2
18		8x2
19		4x2
21		4x2

STEP 7 : INSTALL FRONT AND REAR COVER PANEL.

- The door cover must be zipped. Use rope (#24) to lift up the front cover (#23) from the center grommet and tie it firm to the truss tube and spread toward both sides through each grommet along the tube.
- Insert the dropping tube (#15) into the bottom groove pocket on the door cover. Tie two ropes (#20) separately on both sides of the peak arch tube. Pull both ropes under through the bottom of the door cover from the back, then go up from front and through both pulley (#11A) and (#11B).
- The rope coming out from pulley (#11B) must go through the upper wheel of pulley (#11A), then pull both ropes together slowly and start to lift the door cover.
- Tie both ropes to the corner baseplate. Now the door cover is up. When you drop down the door cover, do not let go too quick, otherwise it might get stuck and damage the fabric.





(view from outside)

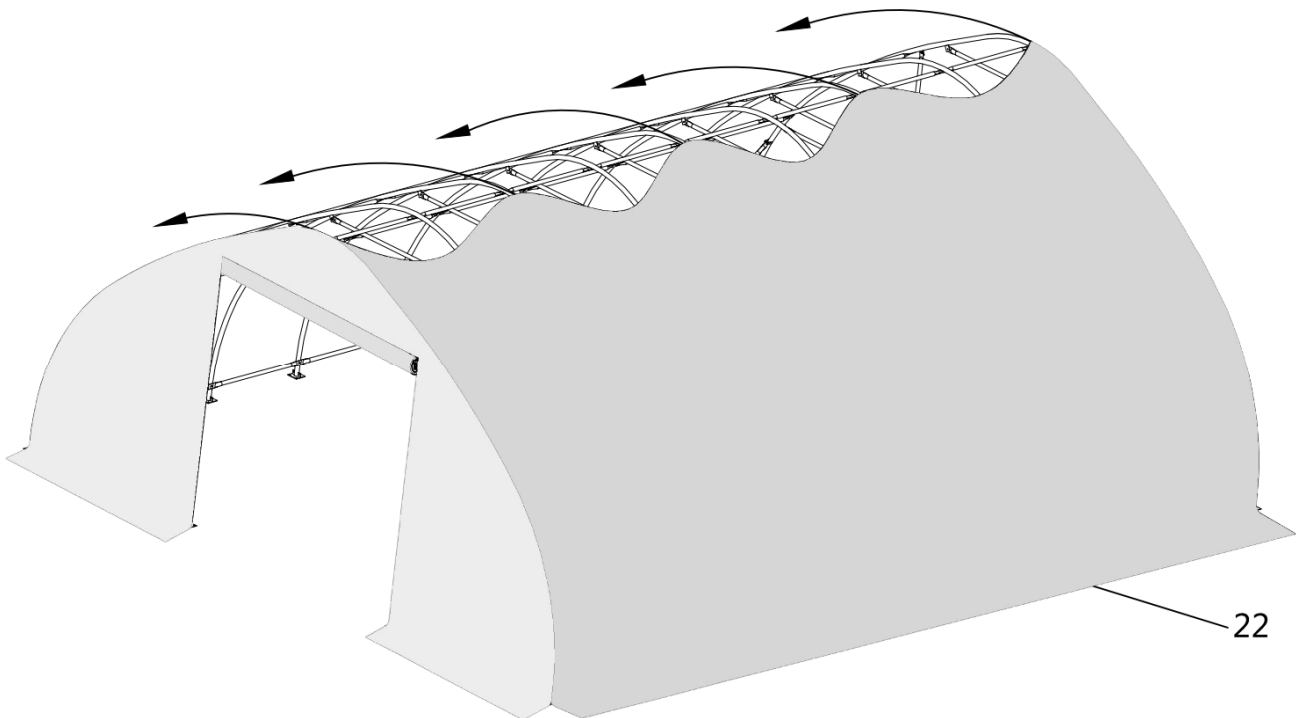
NO.	PART	QTY
15		2+2
20		2x2
21		2x2


NO.	PART	QTY
23		1x2
24		1

STEP 8 : INSTALL THE TOP COVER.

DO NOT INSTALL THE COVER DURING WINDY WEATHER!

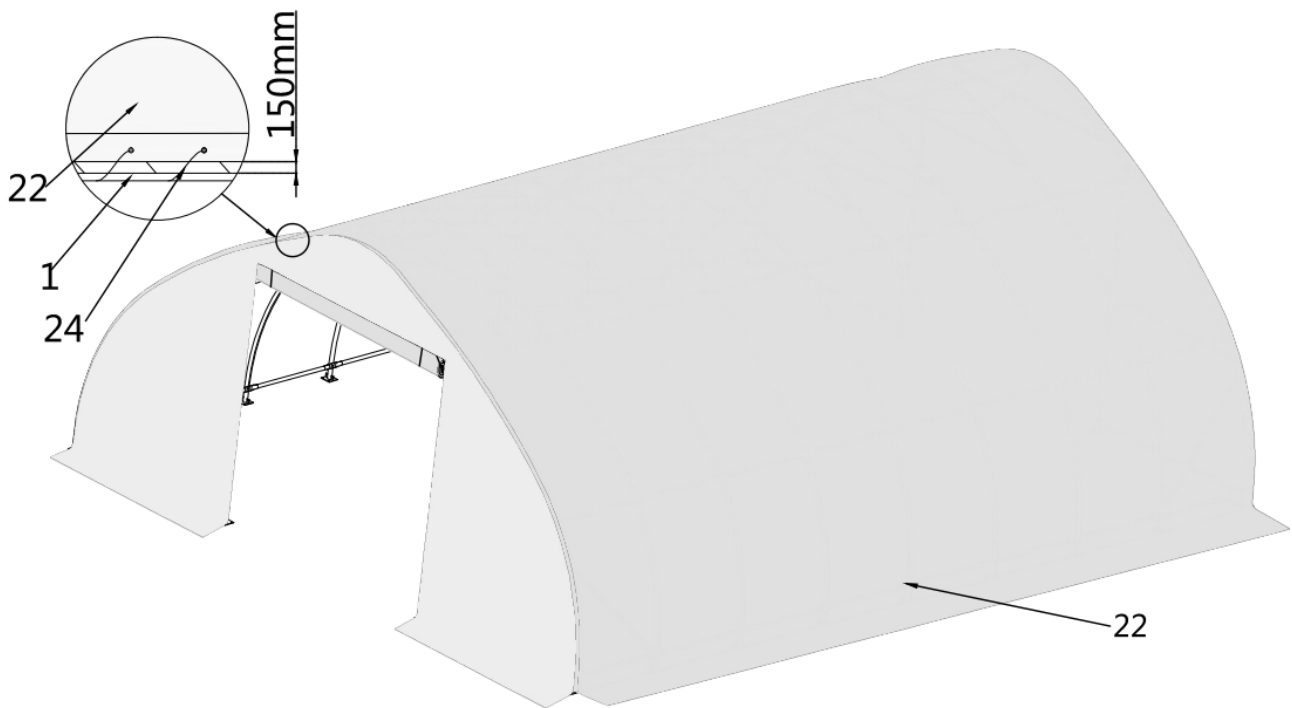
- Unpack the top cover and place it along one of the long sides of the structure.
- Use 3 to 5 ropes (#24) to pull the top cover (#22) the top of the structure, 2 or 3 people standing inside on ladders to push upwards will help to move the cover smooth without any damage.



NO.	PART	QTY
22		1

STEP 9 : STRETCH AND TIGHTEN TOP COVER.

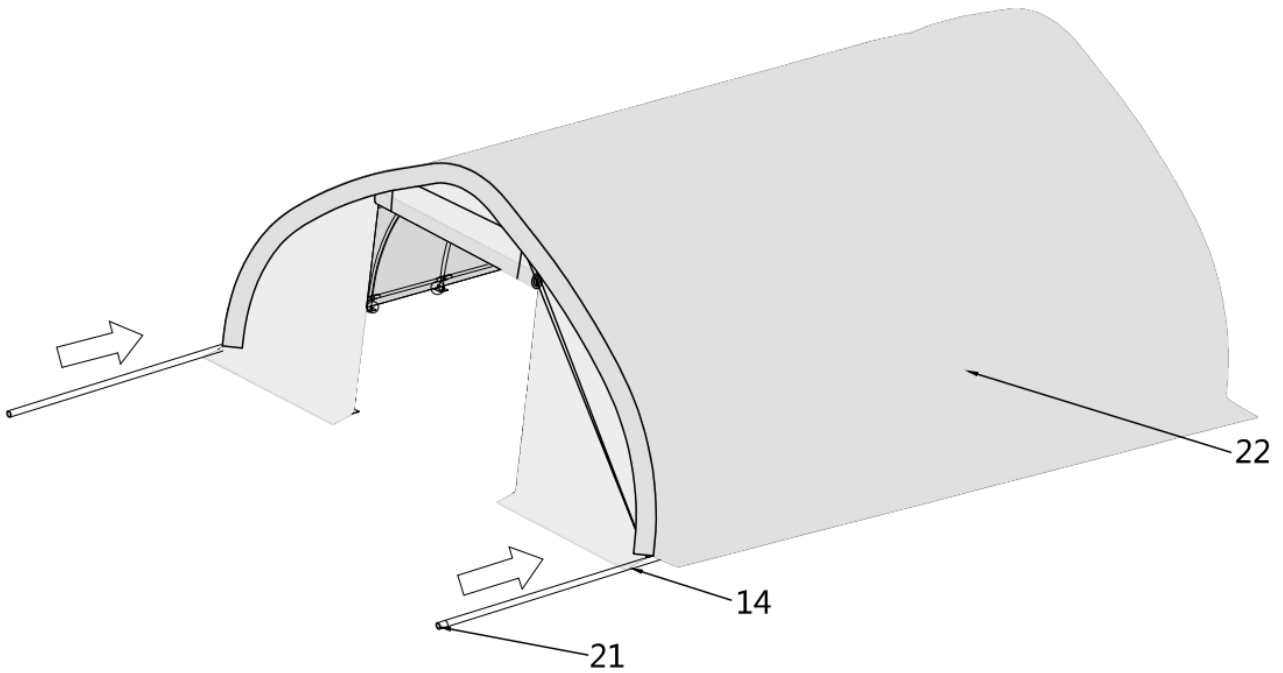
- The roof cover must be stretched and tied to the front and rear truss by rope going through the flap grommets on the cover. Start from the top center and go toward both side on each end. Add or cut the rope as needed.
- Pull and stretch the cover enough only to take wrinkles out. Repeat for the rear truss. Do not over stretch as it could rip off the grommets.





NO.	PART	QTY
24		1

STEP 10 : TENSION THE COVER ON THE STRUCTURE FROM BOTH SIDES.

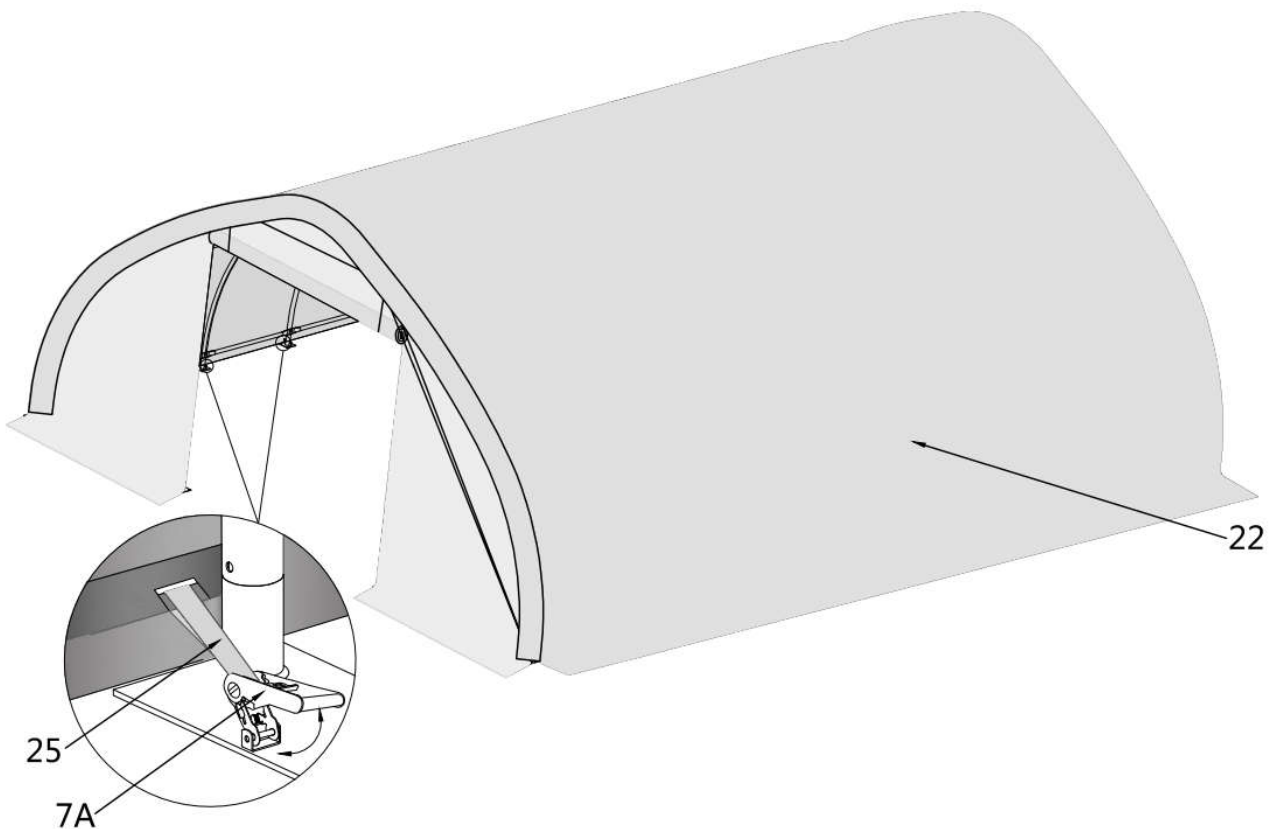
- Insert tension tubes (#14) slowly into the bottom groove pocket on both long sides. Add the water plug (#21) on the first tension tube to avoid tearing the fabric and add one to the end of last tube as well.
- Repeat the same step for the other side.





NO.	PART	QTY
14		12+2
21		4

STEP 11 : INSTALL RATCHET STRAPS.

- Stretch and adjust the cover from left and right, back and forth, to make sure it is square and centered. Cut the groove pocket where it aligns with ratchet (#7A), and use tension band (#25) to pull tension tube (#14) toward the ratchet and secure it.
- Evenly adjust all ratchets on both sides to take wrinkles out and make the cover flat and smooth.



NO.	PART	QTY
7A		18
25		18

AFTER THE INSTALLATION

Walk around and inspect the shelter periodically to make sure all components are still firmly secured and the whole shelter is well supported. Check all bolts and nuts as well as all connection points to make sure they are all in good position. Check the base plates, adjust the ropes and tie downs if required and clean the cover regularly.

Snow accumulating on the fabric cover must be removed as soon as possible. If snow becomes solid ice on the cover, it will increase the weight on the roof and may collapse the shelter or reduce the life span.

Keep the shelter on a dry ground most of the time. Do not keep the fabric dirt skirt under water all the time, otherwise the fabric will deteriorate.

We strongly recommend you remove any snow from the roof immediately. Do not leave any snow load on the roof overnight. Keep 3 feet of clearance on all sides at all times. Do not allow snow to accumulate and pile up on the sides of the building. Otherwise the pressure from the sides will push inwards and could lead to a collapse.

WARRANTY INFORMATION:

Please refer to our website for detailed warranty conditions and coverage.
For the most up-to-date and comprehensive warranty information, visit www.tmgindustrial.com