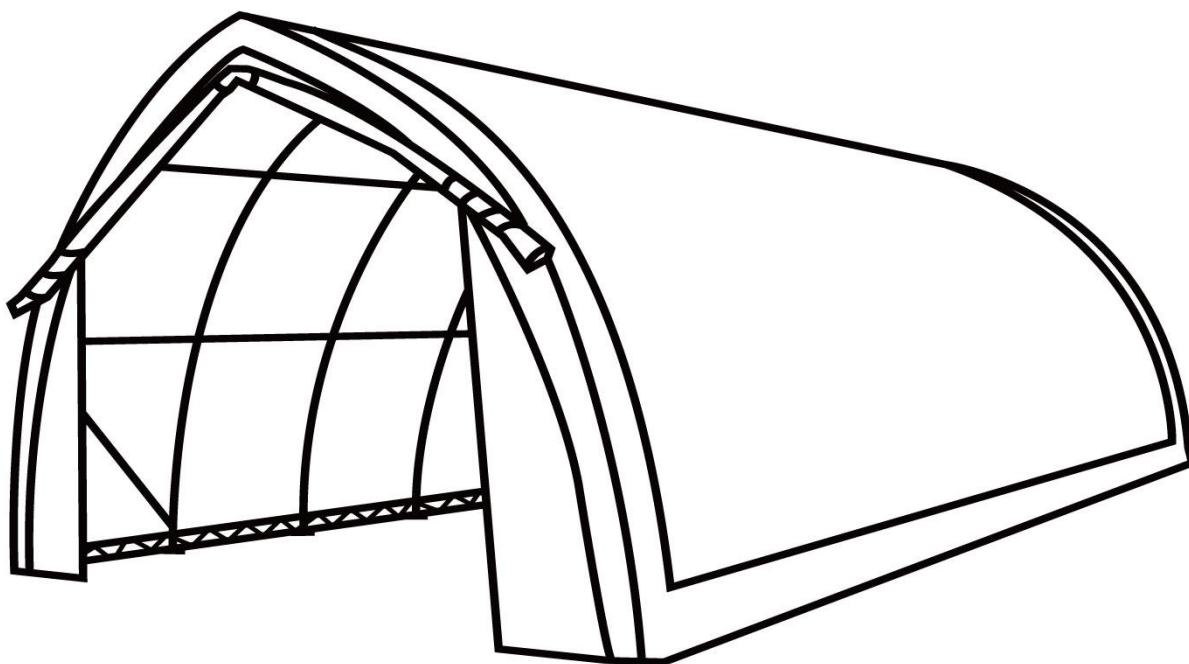


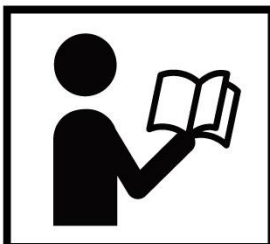
20' X 30'

ARCH WALL PEAK CEILING

STORAGE SHELTER



⚠ WARNING



This structure is intended for temporary outdoor storage use only. It is not designed to withstand heavy snow and wind loads and does not come with engineering drawings. To ensure suitability for your specific weather needs, it is your responsibility to verify their appropriateness for your intended use and local weather conditions, especially in areas prone to severe weather.

- Please read and understand the product manual completely before assembly
- Check against the parts list to make sure all parts are received
- Wear proper safety goggles or other protective gears while in assembly
- Do not return the product to dealer. They are not equipped to handle your requests.

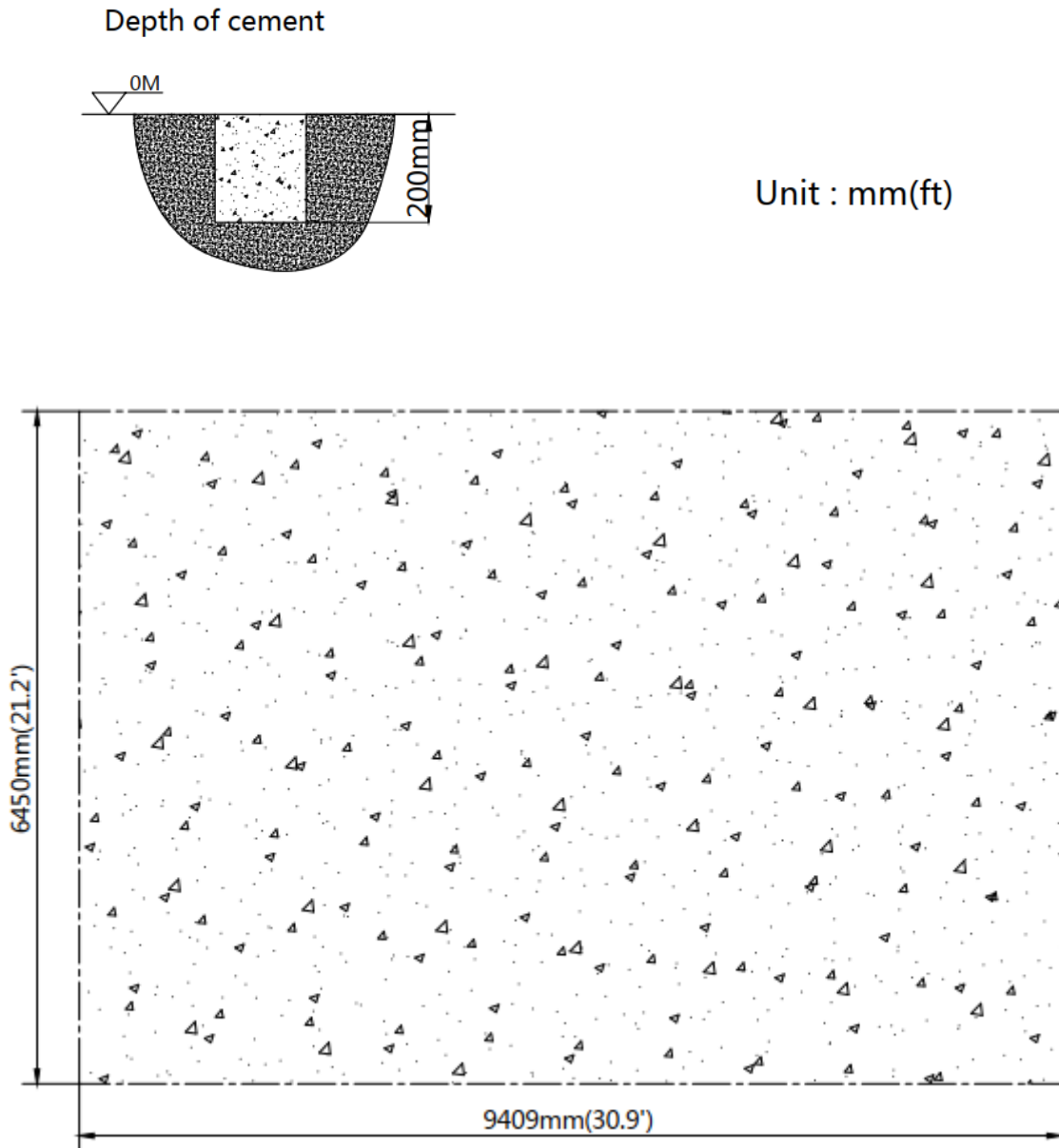
Missing parts or have questions on assembly?
Please call: 1-877-761-2819 or email: cs@tmgindustrial.com

MAIN SPECIFICATIONS :

- Overall assembled size : W6.1 x L9.15 x H3.66 (m) / 20 x 30 x 12 (ft)
- Roll up door : W4.3 x H3.2 (m) /14.1 x 10.5 (ft)

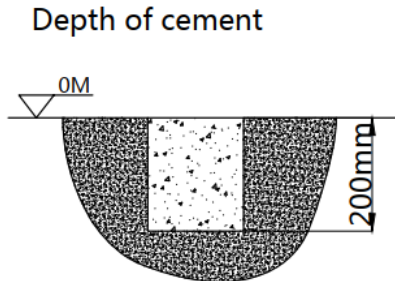
CONCRETE FOUNDATION SIZE SEE BELOW FIGURE.

- The layout of foundation (one).

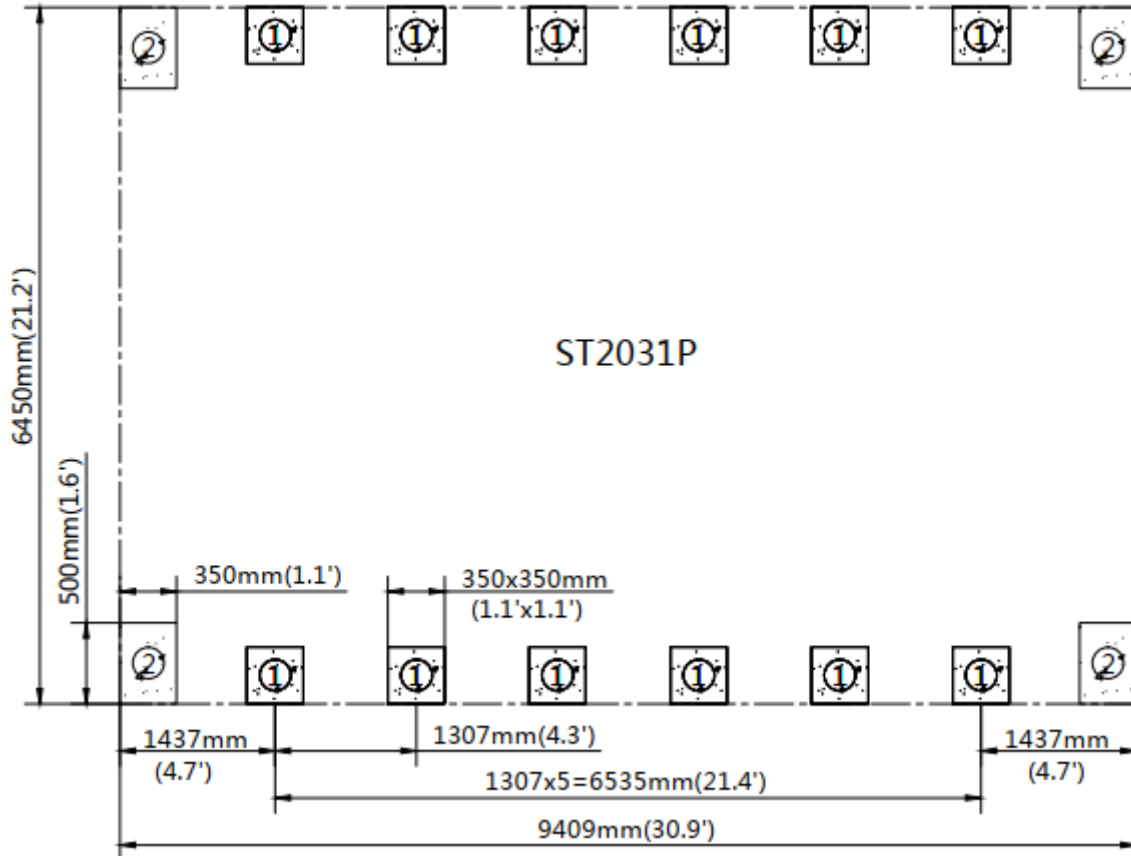



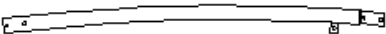
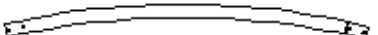

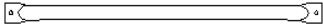
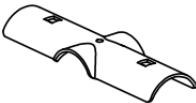




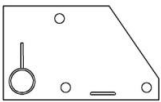
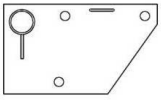
- The layout of foundation(two).

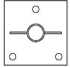

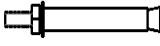
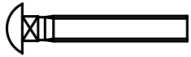
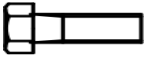
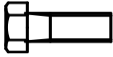
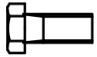

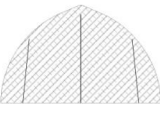

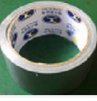
Note: the ground anchor is installed on the cement block.



Unit : mm(ft)



TMG-ST2031PV PART LIST				
PARTS CODE	GRAPHICAL	DESCRIPTION	LENGTH	QTY
1		Peak arch tube	φ42xL1712mm	8
2		Middle bent tube	φ42xL2145mm	16
3		Lower bent tube	φ42xL2128mm	16
4		Roof purlin (horizontal tube)	φ42xL1261mm	35
5		Bottom tension tube (for both long bottom sides)	φ32xL260mm	14
5A		Middle truss connectors	W50xL180mm	60
5B		Front and rear connectors	W50xL121mm	10
5C		Self-tapping screws	#12x25mm	40
6		Diagonal bracing bar	φ42xL1900mm	2
7		Ceiling cross bar	φ32xL1890mm	8
7L		Left corner baseplate (front and rear trusses)	W150xL250mm	2
7R		Right corner baseplate (front and rear trusses)	W150xL250mm	2

8		Middle truss baseplate	W150xL150mm	12
9		Tube clamp	φ42	4
10		Expansion bolt (not included)	φ14x100mm	48
11		Half round head bolt	M8x60mm	70
12		Hex bolt and nut	M8x60mm	96
12A		Hex bolt and nut	M10x30mm	4
13		Hex bolt and nut	M10x20mm	44
14		Top cover panel	W9480xL10920mm	1
15		Front and rear cover panel	W3700xL6060mm	2
16		Braided rope	φ8xL100m	1 bundle
17		Scratch resistant tape	L10m	1

INSTALLATION STEPS

STEP 1: REVIEW THE WHOLE STRUCTURE AND CHOOSE THE PROPER INSTALLATION SITE

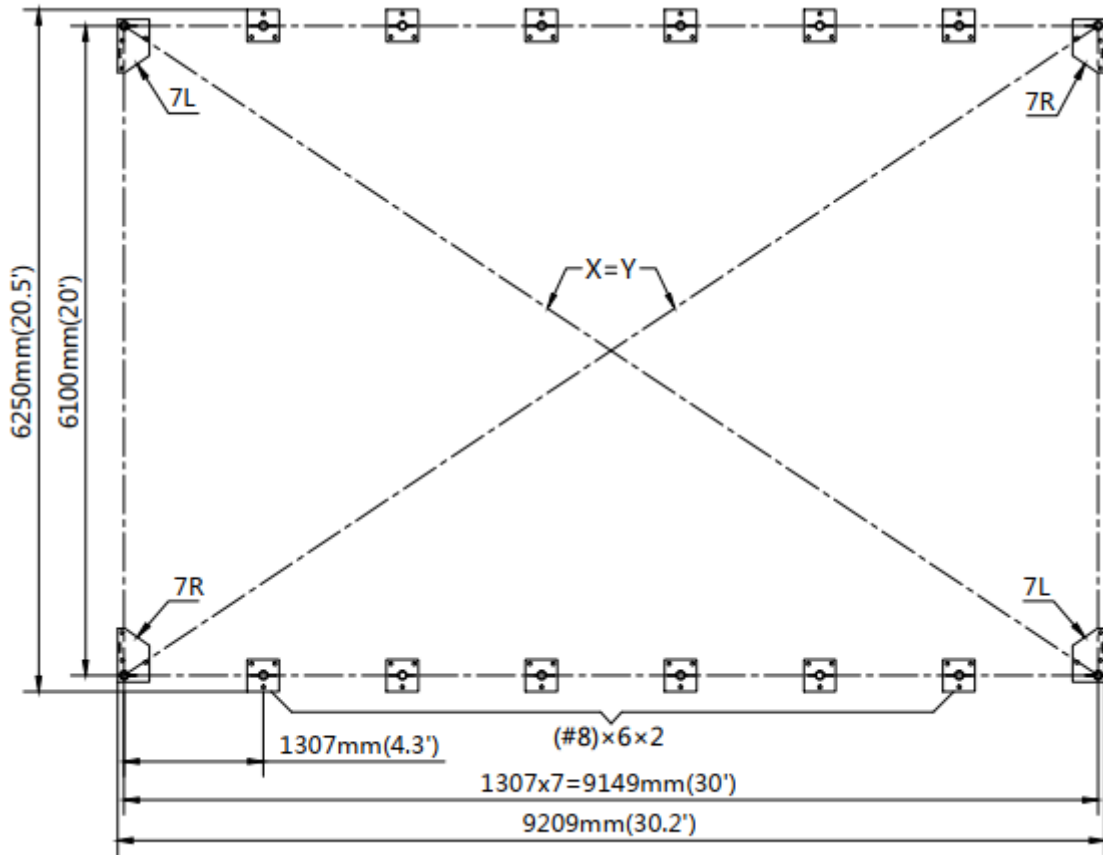
Choose a solid flat level ground area to set up the building. Do not install the building on soft ground, wetland, uneven surfaces, sloped surfaces, or on top of structures that are not rated to hold its weight.

We strongly recommend that you build the structure on a solid foundation such as cement and use anchor bolts on all baseplates.

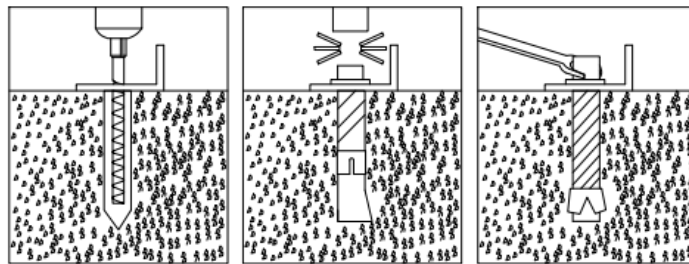
Be aware of the surrounding area. Do not set up the building near snowdrifts, open flames or exposed electrical wires. Do not keep heat sources near the fabric cover. Keep the building surroundings clear at all times.

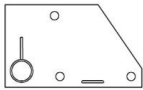
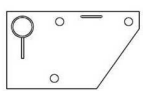
STEP 2 : INSTALL BASE PLATES, ALL BASE PLATES MUST BE INSTALLED FIRMLY WITH EXPANSION BOLTS.

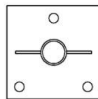
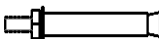
- The diagonal X and Y must be equal.



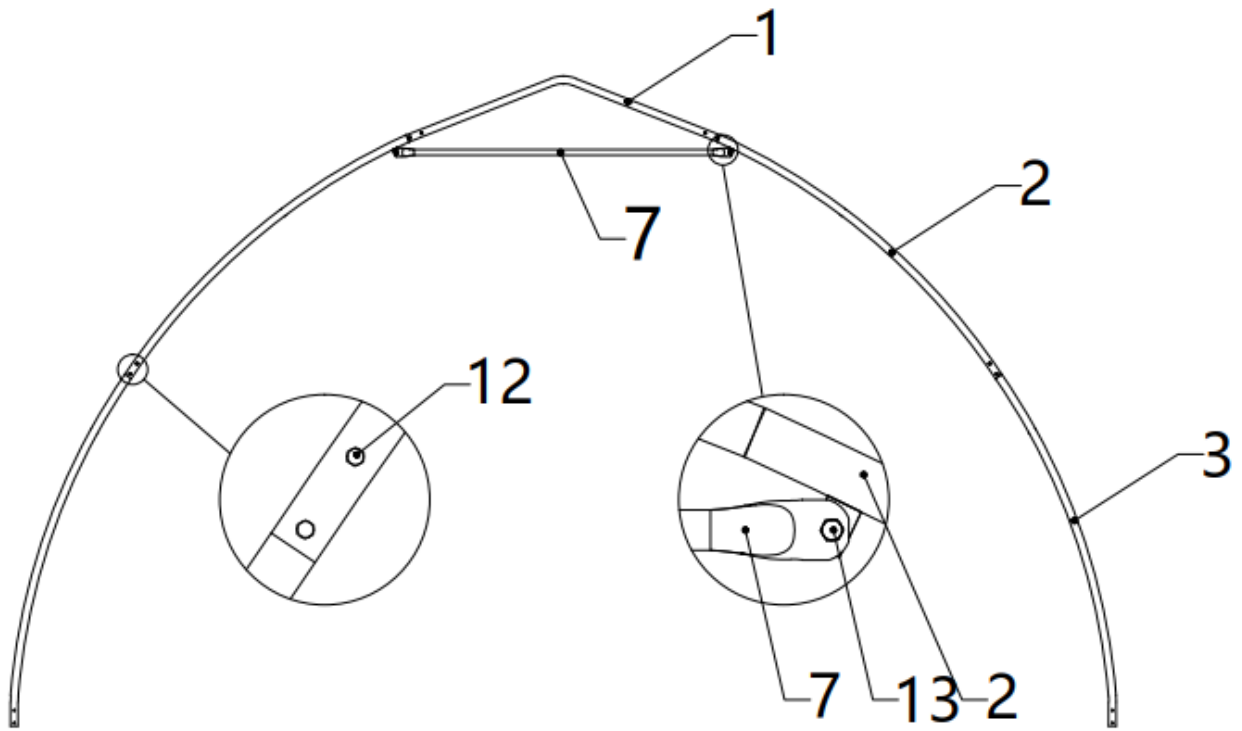
- Installation diagram of expansion bolt.


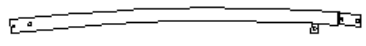
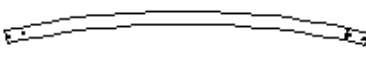



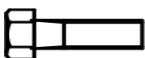
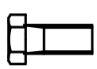
NO.	PART	QTY
7L		2
7R		2

NO.	PART	QTY
8		12
10		48

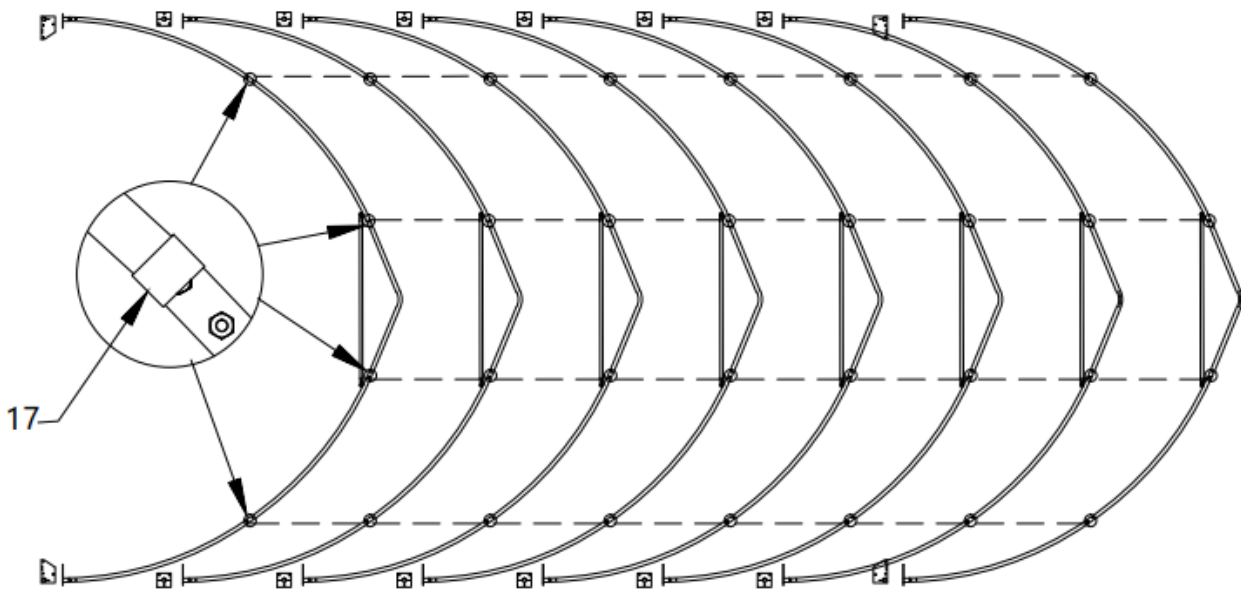
STEP 3 : ASSEMBLE ALL TRUSSES.




NO.	PART	QTY
1		8
2		16
3		16

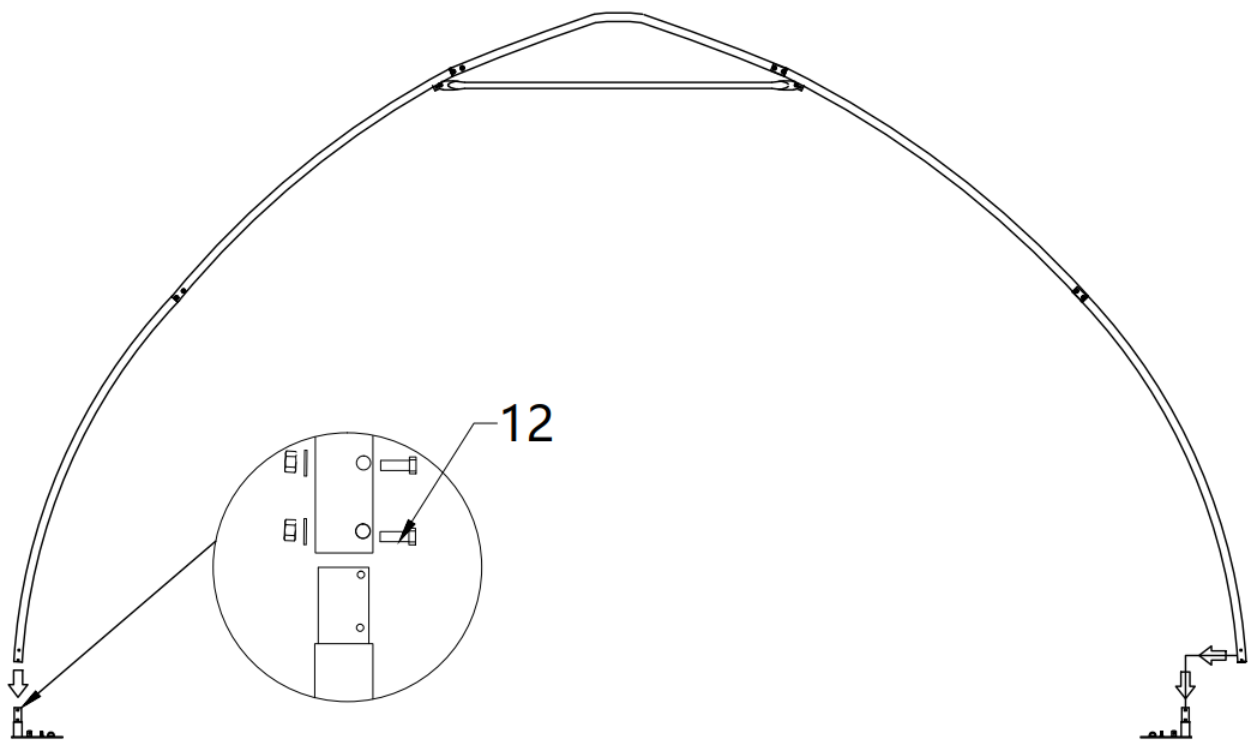
NO.	PART	QTY
7		8
12		64
13		16

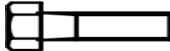
STEP 4 : WRAP (#17) AROUND THE SHARP POINTS OF THE JOINT TO AVOID FRICTION BETWEEN THE FABRIC AND THE INTERFACE.



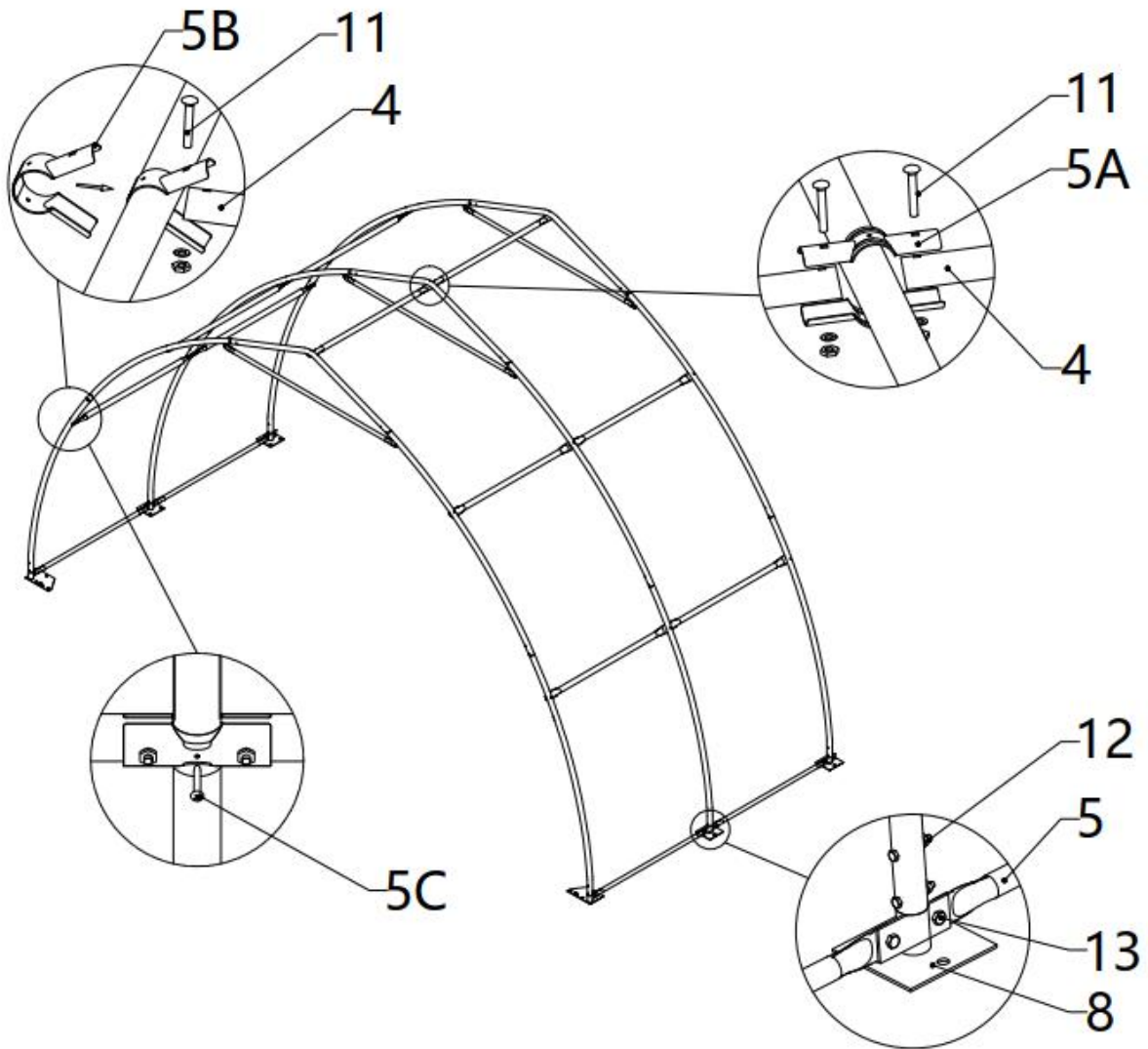
NO.	PART	QTY
17		2

STEP 5 : PUT UP THE ALL TRUSS.



NO.	PART	QTY
12		32

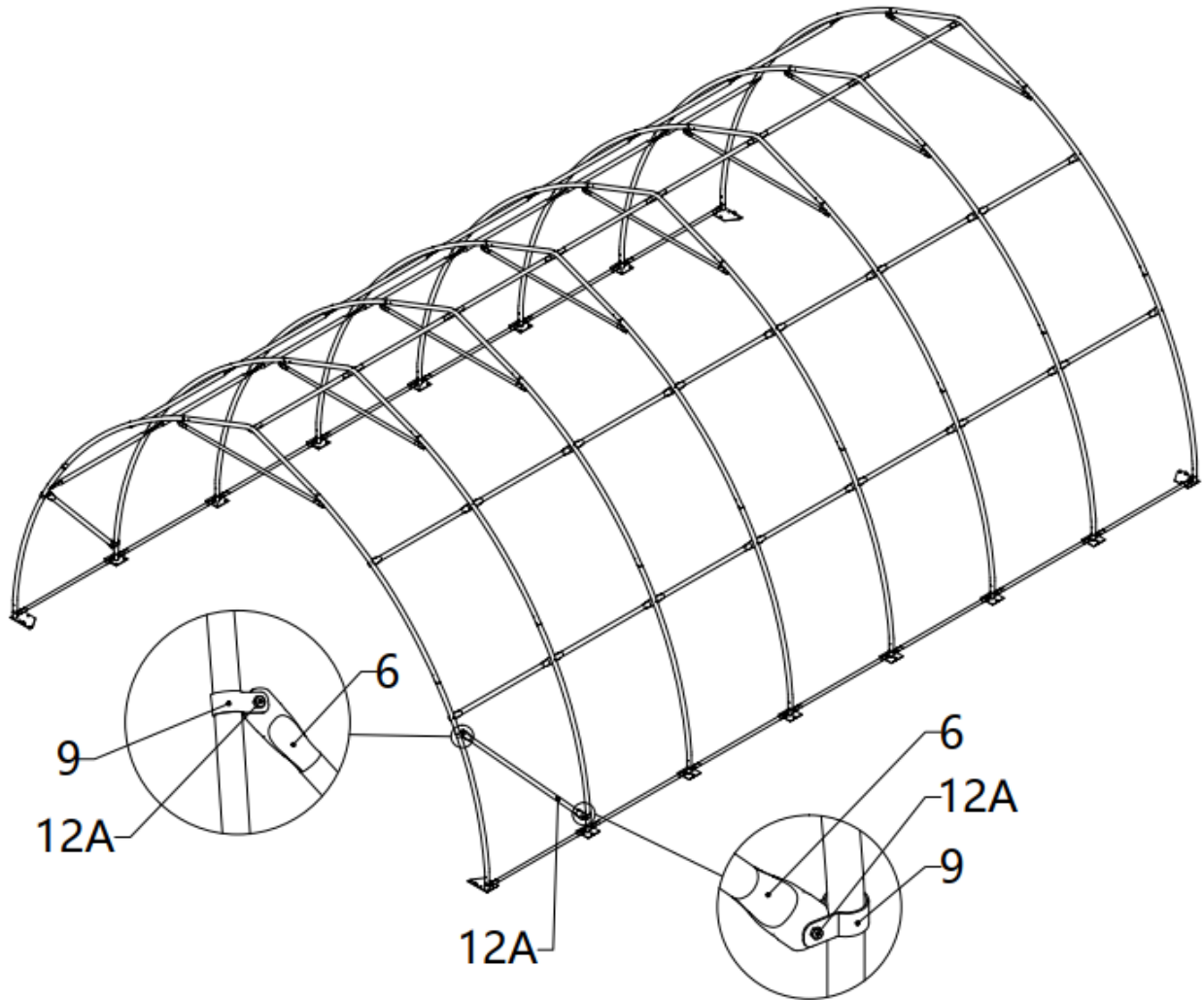
STEP 6 : PUT UP THE REST TRUSSES.






NO.	PART	QTY
4		35
5		14
5A		60
5B		10

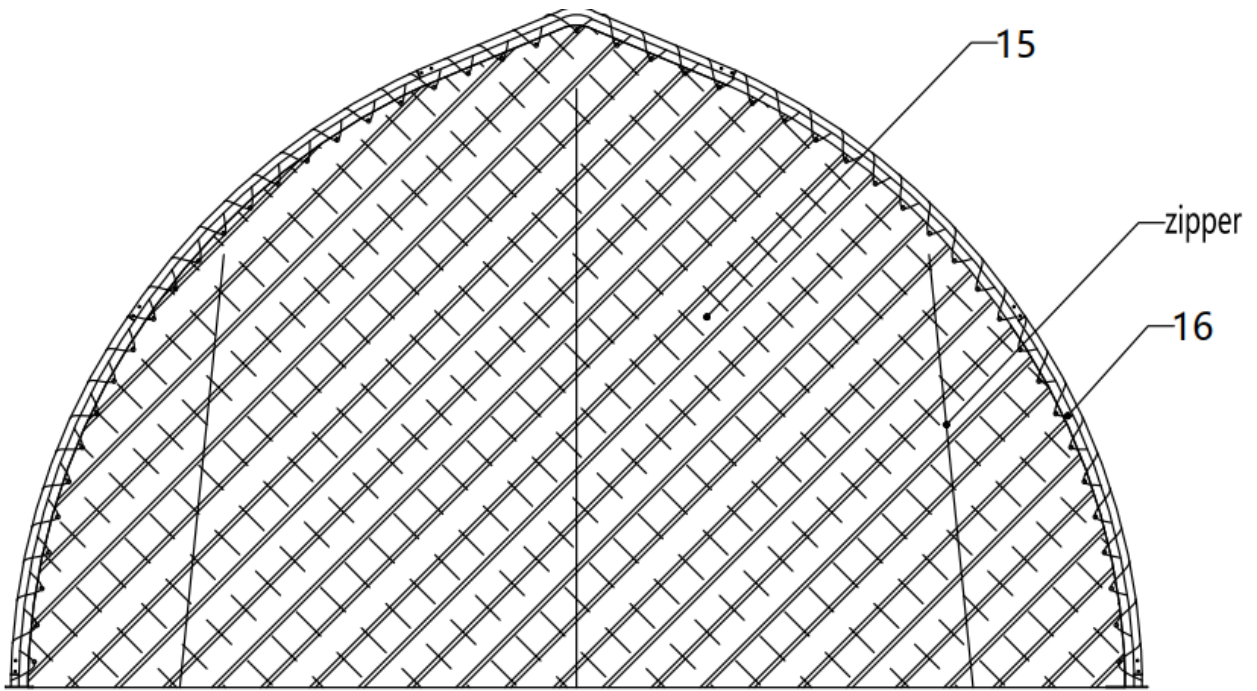
NO.	PART	QTY
5C		40
11		70
13		28

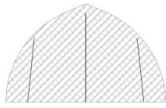
STEP 7 : INSTALL THE DIAGONAL BRACING BARS (#6).




NO.	PART	QTY
6		4
9		8
12A		8

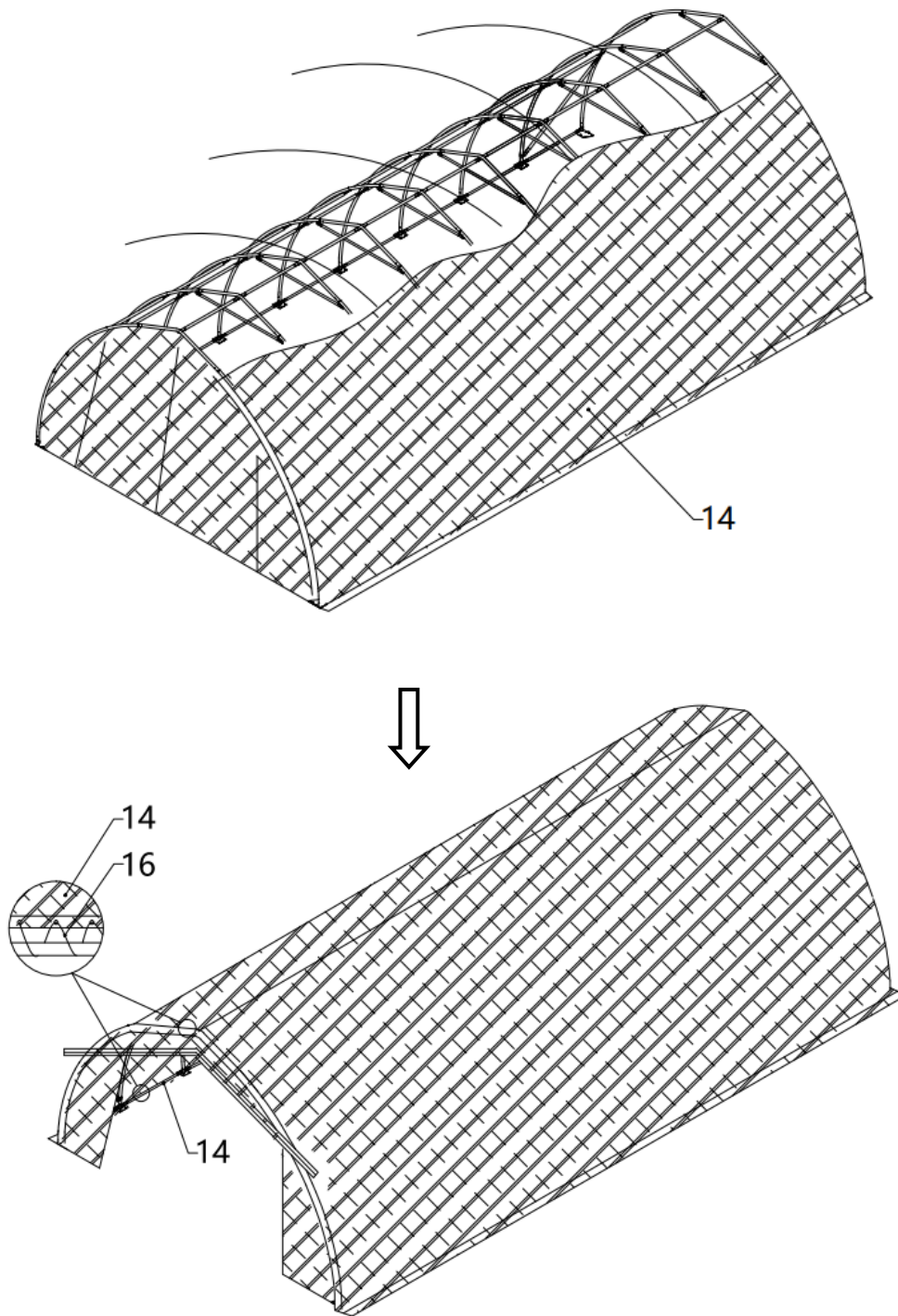
STEP 8 : INSTALL FRONT AND REAR FABRIC PANELS.





NO.	PART	QTY
15		2

NO.	PART	QTY
16		1

STEP 9 : INSTALL THE TOP COVER (#14) STRETCH AND TIGHTEN TOP COVER.



NO.	PART	QTY
14		1

NO.	PART	QTY
16		1

AFTER THE INSTALLATION

Walk around and inspect the shelter periodically to make sure all components are still firmly secured and the whole shelter is well supported. Check all bolts and nuts as well as all connection points to make sure they are all in good position. Check the base plates, adjust the ropes and tie downs if required and clean the cover regularly.

Snow accumulating on the fabric cover must be removed as soon as possible. If snow becomes solid ice on the cover, it will increase the weight on the roof and may collapse the shelter or reduce the life span.

Keep the shelter on a dry ground most of the time. Do not keep the fabric dirt skirt under water all the time, otherwise the fabric will deteriorate.

We strongly recommend you remove any snow from the roof immediately. Do not leave any snow load on the roof overnight. Keep 3 feet of clearance on all sides at all times. Do not allow snow to accumulate and pile up on the sides of the building. Otherwise the pressure from the sides will push inwards and could lead to a collapse.

WARRANTY INFORMATION:

Please refer to our website for detailed warranty conditions and coverage.
For the most up-to-date and comprehensive warranty information, visit www.tmgindustrial.com