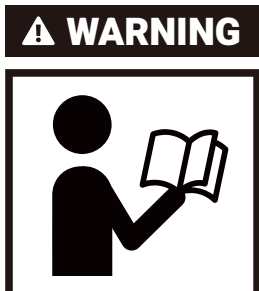
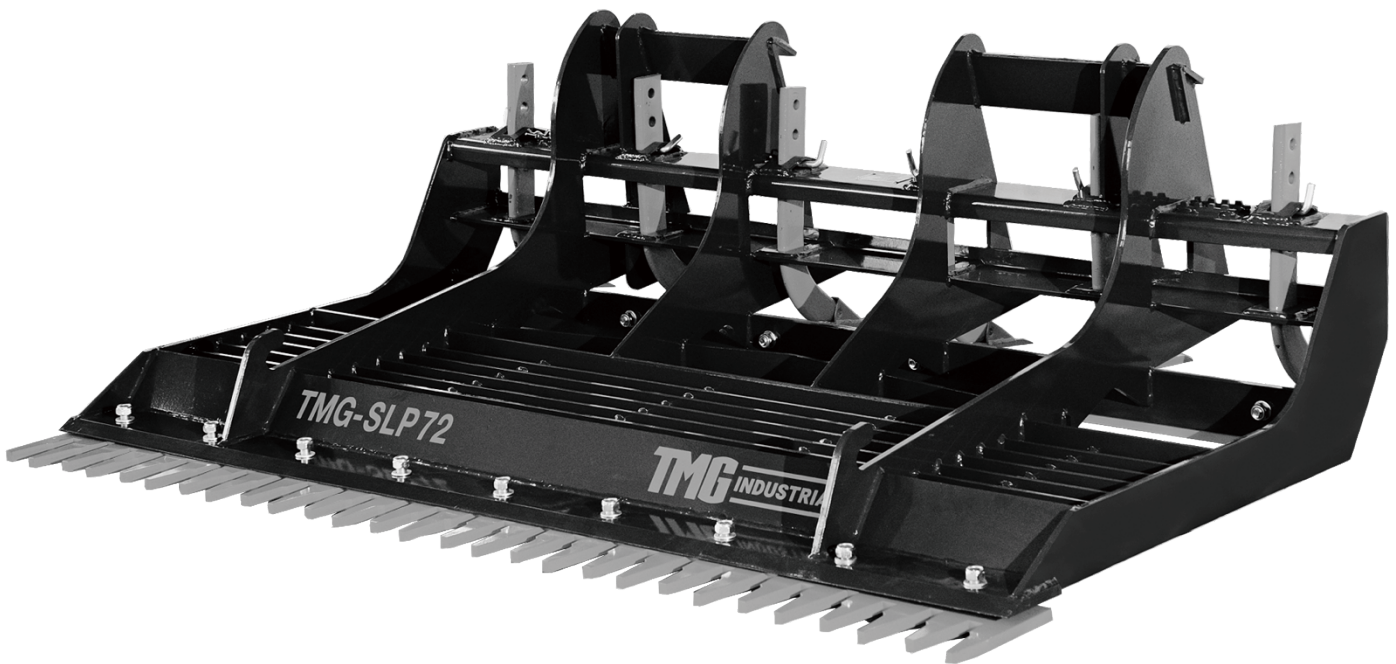


# 72" SKID STEER LAND PLANER



- Please read and understand the product manual completely before assembly
- Check against the parts list to make sure all parts are received
- Wear proper safety goggles or other protective gears while in assembly
- Do not return the product to dealer. They are not equipped to handle your requests.

Missing parts or have questions on assembly?  
Please call: 1-877-761-2819 or email: [cs@tmgindustrial.com](mailto:cs@tmgindustrial.com)

# CONTENTS

|  |           |
|--|-----------|
| <b>IMPORTANT SAFETY INFORMATION</b> .....    | <b>3</b>  |
| <b>YOUR SAFETY</b> .....                     | 3         |
| <b>GENERAL SAFETY</b> .....                  | 3         |
| <b>EQUIPMENT SAFETY GUIDELINES</b> .....     | 4         |
| <b>SAFETY TRAINING</b> .....                 | 5         |
| <b>SAFETY SIGNS</b> .....                    | 5         |
| <b>SAFETY DECALS</b> .....                   | 6         |
| <b>PREPARATION</b> .....                     | 6         |
| <b>MAINTENANCE SAFETY</b> .....              | 6         |
| <b>TRANSPORT SAFETY</b> .....                | 7         |
| <b>TO THE NEW OPERATOR OR OWNER</b> .....    | 7         |
| <b>OPERATION</b> .....                       | <b>8</b>  |
| <b>MACHINE COMPONENTS</b> .....              | 8         |
| <b>SECURE THE MOUNTING:</b> .....            | 8         |
| <b>RAISE THE LAND PLANE:</b> .....           | 8         |
| <b>BOLT TORQUE</b> .....                     | 8         |
| <b>SPECIFICATION</b> .....                   | <b>9</b>  |
| <b>SPECIFICATIONS &amp; CAPACITIES</b> ..... | 9         |
| <b>PARTS LIST</b> .....                      | <b>10</b> |
| <b>SLP72 LAND PLANE ASSEMBLY</b> .....       | 10        |

# IMPORTANT SAFETY INFORMATION

## Your Safety

YOU are responsible for the SAFE operation and maintenance of your TMG Skid Steer Land Plane. YOU must ensure that you and anyone else who is going to use, maintain or work around the Skid Steer Land Plane be familiar with the using and maintenance procedures and related SAFETY information contained in this manual. This manual will take you step-by-step through your working day and alerts you to all good safety practices that should be used while using the Skid Steer Land Plane. Remember, YOU are the key to safety. Good safety practices not only protect you but also the people around you. Make these practices a working part of your safety program. Be certain that EVERYONE using this equipment is familiar with the recommended using and maintenance procedures and follows all the safety precautions. Most accidents can be prevented. Do not risk injury or death by ignoring good safety practices.

1. Skid Steer Land Plane owners must give operating instructions to operators or employees before allowing them to operate the machine, and at least annually thereafter.
2. The most important safety device on this equipment is a SAFE operator. It is the operator's responsibility to read and understand ALL Safety and Operating instructions in the manual and to follow these. Most accidents can be avoided.
3. A person who has not read and understood all using and safety instructions is not qualified to use the machine. An untrained operator exposes himself and bystanders to possible serious injury or death.
4. Do not modify the equipment in any way. Unauthorized modification may impair the function and/or safety and could affect the life of the equipment.
5. Think SAFETY! Work SAFELY!

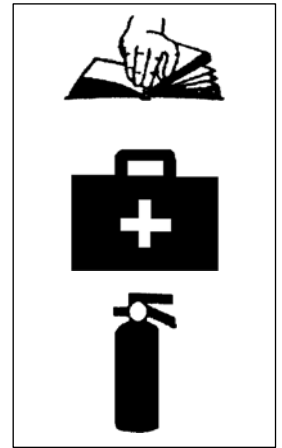
## General Safety

1. Read and understand the Operator's Manual and all safety signs before using, maintaining, adjusting, or cleaning the Skid Steer Land Plane.
2. Have a first-aid kit available for use should the need arise and know how to use it.
3. Have a fire extinguisher available for use should the need arise and know how to use it.
4. Do not allow riders.
5. Wear appropriate protective gear. This list includes but is not limited to:
  - A hard hat
  - Protective shoes with slip resistant soles



- Heavy gloves
- Wet weather gear
- Hearing Protection

6. Install and secure all guards before starting.
7. Wear suitable ear protection for prolonged exposure to excessive noise.
8. Turn machine off, stop and disable engine, remove ignition key and place in your pocket, set park brake and wait for all moving parts to stop before servicing, adjusting, repairing, or unplugging.
9. Clear the area of people, especially small children, before using the unit.
10. Review safety related items annually with all personnel who will operating or maintaining the Skid Steer Land Plane.



### Equipment Safety Guidelines

1. Safety of the operator and bystanders is one of the main concerns in designing and developing equipment. However, every year many accidents occur which could have been avoided by a few seconds of thought and a more careful approach to handling equipment. You, the operator, can avoid many accidents by observing the following precautions in this section. To avoid personal injury or death, study the following precautions and insist those working with you, or for you to follow them.
2. In order to provide a better view, certain photographs or illustrations in this manual may show an assembly with a safety shield removed. However, equipment should never be used in this condition. Keep all shields in place. If shield removal becomes necessary for repairs, replace the shield prior to use.
3. Replace any safety sign or instruction sign that is not readable or is missing. Location of such safety signs is indicated in this manual.
4. Never use alcoholic beverages or drugs which can hinder alertness or coordination while using this equipment. Consult your doctor about using this machine while taking prescription medications.
5. Under no circumstances should young children be allowed to work with this equipment. Do not allow persons to use or assemble this unit until they have read this manual and have developed a thorough understanding of the safety precautions and of how it works. Review the safety instructions with all users annually.
6. This equipment is dangerous to children and persons unfamiliar with its operation. The operator should be a responsible, properly trained and physically able person familiar with machinery and trained in this equipment's operations. If the elderly are assisting with work, their physical limitations need to be recognized and accommodated.
7. Never exceed the limits of a piece of machinery.

If its ability to do a job, or to do so safely, is in question - DON'T TRY IT.

8. Do not modify the equipment in any way. Unauthorized modification may result in serious injury or death and may impair the function and life of the equipment.
9. In addition to the design and configuration of this implement, including Safety Signs and Safety Equipment, hazard control and accident prevention are dependent upon the awareness, concern, prudence, and proper training of personnel involved in the operation, transport, maintenance, and storage of the machine. Refer also to Safety Messages and operation instruction in each of the appropriate sections of the skid steer and machine manuals. Pay close attention to the Safety Signs affixed to the skid steer and the machine.

### **Safety Training**

1. Safety is a primary concern in the design and manufacture of our products. Unfortunately, our efforts to provide safe equipment can be wiped out by a single careless act of an operator or bystander.
2. In addition to the design and configuration of equipment, hazard control and accident prevention are dependent upon the awareness, concern, prudence, and proper training of personnel involved in the operation, transport, maintenance, and storage of this equipment.
3. It has been said, "The best safety feature is an informed, careful operator." We ask you to be that kind of an operator. It is the operator's responsibility to read and understand ALL Safety and Using instructions in the manual and to follow these. Accidents can be avoided.
4. the machine. If this machine is used by any person other than yourself, or is loaned or rented, it is the machine owner's responsibility to make certain that the operator, prior to using:
  - a. Reads and understands the operator's manuals.
  - b. Is instructed in safe and proper use.
5. Know your controls and how to stop the skid steer tractor and machine quickly in an emergency. Read this manual and the one provided with skid steer tractor.
6. Train all new personnel and review instructions frequently with existing workers. Be certain only a properly trained and physically able person will use the machinery. A person who has not read and understood all using and safety instructions is not qualified to use the machine. An untrained operator exposes himself and bystanders to possible serious injury or death. If the elderly is assisting with the work, their physical limitations need to be recognized and accommodated.

### **Safety Signs**

1. Always keep safety signs clean and legible.
2. Replace safety signs that are missing or have become illegible.

3. Replaced parts that displayed a safety sign should also display the current sign.
4. Safety signs have a part number in the lower righthand corner. Use this part number when ordering replacement parts.
5. Safety signs are available from your authorized Distributor or Dealer Parts Department or the factory.

### Safety Decals



### Preparation

1. Never use the machine until you have read and completely understand this manual, the skid steer tractor Operator's Manual and each of the Safety Messages found on the safety signs on the skid steer tractor and machine.
2. Personal protection equipment including hard hat, safety glasses, safety shoes, and gloves are recommended during assembly, installation, operation, adjustment, maintaining, repairing, removal, cleaning, or moving the unit. Do not allow long hair, loose fitting clothing or jewelry to be around equipment.
3. **PROLONGED EXPOSURE TO LOUD NOISE MAY CAUSE PERMANENT HEARING LOSS!**  
 Power equipment with or without equipment attached can often be noisy enough to cause permanent, partial hearing loss. We recommend that you wear hearing protection on a full-time basis if the noise in the Operator's position exceeds 80db. Noise over 85db on a long-term basis can cause severe hearing loss. Noise over 90db adjacent to the Operator over a long-term basis may cause permanent, total hearing loss. NOTE: Hearing loss from loud noise (from tractors, chain saws, radios, and other such sources close to the ear) is cumulative over a lifetime without hope of natural recovery.
4. Clear working area of stones, branches or hidden obstacles that might be hooked or snagged, causing injury or damage.
5. Use only in daylight or good artificial light.
6. Be sure machine is properly mounted, adjusted and in good operating condition.
7. Ensure that all safety shielding, and safety signs are properly installed and in good condition.

### Maintenance Safety

1. Good maintenance is your responsibility. Poor maintenance is an invitation to trouble.
2. Follow good shop practices.
  - Keep service area clean and dry.
  - Be sure electrical outlets and tools are properly grounded.
  - Use adequate light for the job at hand.



3. Make sure there is plenty of ventilation. Never operate the engine of the towing vehicle in a closed building. The exhaust fumes may cause asphyxiation.
4. Before working on this machine, shut off the engine, set the brake, and turn fuel valve off.
5. Never work under equipment unless it is blocked securely.
6. Always use personal protection devices such as eye, hand and hearing protectors, when performing any service or maintenance work. Use heavy or leather gloves when handling blades.
7. Where replacement parts are necessary for periodic maintenance and servicing, genuine factory replacement parts must be used to restore your equipment to original specifications. The manufacturer will not be responsible for injuries or damages caused by use of unapproved parts and/or accessories.
8. A fire extinguisher and first aid kit should be kept readily accessible while performing maintenance on this equipment.
9. Periodically tighten all bolts, nuts and screws and check that all electrical and fuel connections are properly secured to ensure unit is in a safe condition.
10. When completing a maintenance or service function, make sure all safety shields and devices are installed before placing unit in service.



#### **Transport Safety**

1. Comply with state and local laws governing safety and transporting of machinery on public roads.
2. Check that all the lights, reflectors and other lighting requirements are installed and in good working condition.
3. Do not exceed a safe travel speed. Slow down for rough terrain and cornering.
4. Do not drink and drive.
5. Be a safe and courteous driver. Always yield to oncoming traffic in all situations, including narrow bridges, intersections, etc. Watch for traffic when operating near or crossing roadways.

#### **To the New Operator or Owner**

Follow all safety instructions exactly. Safety is everyone's business. By following recommended procedures, a safe working environment is provided for the operator, bystanders, and the area around the worksite. Untrained operators are not qualified to operate the machine.

Many features incorporated into this machine are the result of suggestions made by customers like you. Read this manual carefully to learn how to use the chipper safely and how to set it to provide maximum field efficiency. By following the using instructions in conjunction with a good maintenance program, your Skid Steer Land Plane will provide many years of trouble-free service.

# OPERATION

## Machine Components

The machine is shipped from the factory in a basic, universal configuration that allows it to be mounted to any model skid steer. However, the skid steer must be equipped with a remote hydraulic outlet on the front of the cab frame.

The Land Plane should always be located on a level, dry area that is free of debris and other foreign objects. When attaching the Land Plane to a skid steer, follow this procedure:

Make sure that all bystanders, especially small children are clear of the work area.

Make sure there is enough room and clearance to safely drive up to the Land Plane.

Drive up to The Land Plane while aligning the mounting components, and hook up into the mount.

### Secure the mounting:

1. Drive into the mounting frame.
2. Seat the top of the face plate into the frame of the Land Plane.
3. Raise the loader and tilt the face plate until it is fully mated.

### Raise The Land Plane:

1. Reverse the above procedure when unhooking.
2. Place planks or boards under the frame for extra support if required.

### Bolt Torque

#### CHECKING BOLT TORQUE

The tables shown below give correct torque values for various bolts and cap screws.

Tighten all bolts to the torques specified in chart unless otherwise noted. Check tightness of bolts periodically, using bolt torque chart as a guide. Replace hardware with the same strength bolt.

Torque figures indicated above are valid for non-greased or non-oiled threads and heads unless otherwise specified. Therefore, do not grease or oil bolts or cap screws unless otherwise specified in this manual. When using locking elements, increase torque values by 5%.

\* Torque value for bolts and cap screws are identified by their head markings

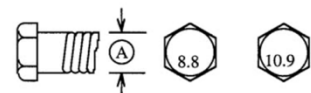
#### ENGLISH TORQUE SPECIFICATIONS

| Bolt Diameter "A" | Bolt Torque*        |     |                     |     |                     |     |
|-------------------|---------------------|-----|---------------------|-----|---------------------|-----|
|                   | SAE 2 (N.m) (lb-ft) |     | SAE 5 (N.m) (lb-ft) |     | SAE 8 (N.m) (lb-ft) |     |
| 1/4"              | 8                   | 6   | 12                  | 9   | 17                  | 12  |
| 5/16"             | 13                  | 10  | 25                  | 19  | 36                  | 27  |
| 3/8"              | 27                  | 20  | 45                  | 33  | 63                  | 45  |
| 7/16"             | 41                  | 30  | 72                  | 53  | 100                 | 75  |
| 1/2"              | 61                  | 45  | 110                 | 80  | 155                 | 115 |
| 9/16"             | 95                  | 60  | 155                 | 115 | 220                 | 165 |
| 5/8"              | 128                 | 95  | 215                 | 160 | 305                 | 220 |
| 3/4"              | 225                 | 165 | 390                 | 290 | 540                 | 400 |
| 7/8"              | 230                 | 170 | 570                 | 420 | 880                 | 650 |
| 1"                | 345                 | 225 | 850                 | 630 | 1320                | 970 |



#### METRIC TORQUE SPECIFICATIONS

| Bolt Diameter "A" | Bolt Torque*      |      |                    |      |
|-------------------|-------------------|------|--------------------|------|
|                   | 8.8 (N.m) (lb-ft) |      | 10.9 (N.m) (lb-ft) |      |
| M3                | .5                | .4   | 1.8                | 1.3  |
| M4                | 3                 | 2.2  | 4.5                | 3.3  |
| M5                | 6                 | 4    | 9                  | 7    |
| M6                | 10                | 7    | 15                 | 11   |
| M8                | 25                | 18   | 35                 | 26   |
| M10               | 50                | 37   | 70                 | 52   |
| M12               | 90                | 66   | 125                | 92   |
| M14               | 140               | 103  | 200                | 148  |
| M16               | 225               | 166  | 310                | 229  |
| M20               | 435               | 321  | 610                | 450  |
| M24               | 750               | 553  | 1050               | 774  |
| M30               | 1495              | 1103 | 2100               | 1550 |
| M36               | 2600              | 1917 | 3675               | 2710 |





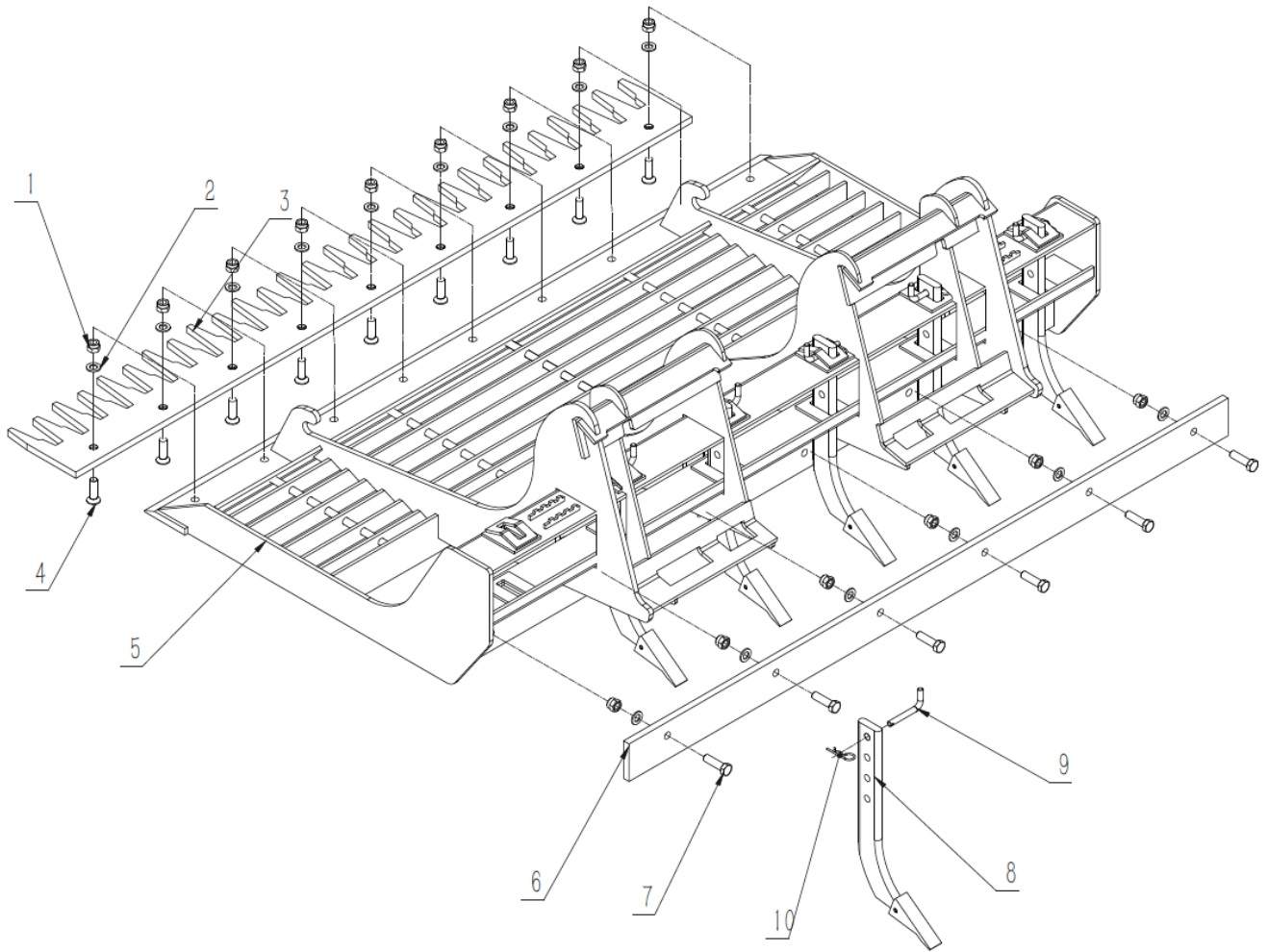
# SPECIFICATION

## Specifications & Capacities

- Universal skid steer mount
- Used to break up clumps before leveling
- Fixed sift screen trays
- Removable pin locked ripper
- Removable bolt-on 16mm planner comb
- Adjustable and reversible scarifier teeth
- Heavy-Duty design structure
- 72-inch planers and combs
- Overall Height: 587mm
- Overall Depth: 1281mm
- Overall Width: 72-in
- Max Rip Depth: 4-in.
- Ripper: 6
- Comb Material: NM400 Heavy-Duty Steel
- Weight Capacity: 1,100 lb.
- Product Weight:315kg

# PARTS LIST

## SLP72 Land Plane Assembly



| Part No. | Ref.        | Part Description | QTY |
|----------|-------------|------------------|-----|
| 1        | GB/T889.1   | Lock Nut M16     | 15  |
| 2        | GB/T 97.1   | Plain Washer 16  | 15  |
| 3        | SLP72.2     | Comb             | 1   |
| 4        | GB/T 70.3   | Screw M16*55     | 9   |
| 5        | SLP72.1     | Frame Weldment   | 1   |
| 6        | SLP72.3     | SCRAPER BLADE    | 1   |
| 7        | GB/T5783    | Bolt M16*55      | 6   |
| 8        | 6BS-2A      | Ripper           | 6   |
| 9        | 6BS-5       | Pin              | 6   |
| 10       | EFGC125.110 | R Pin 3.2        | 6   |