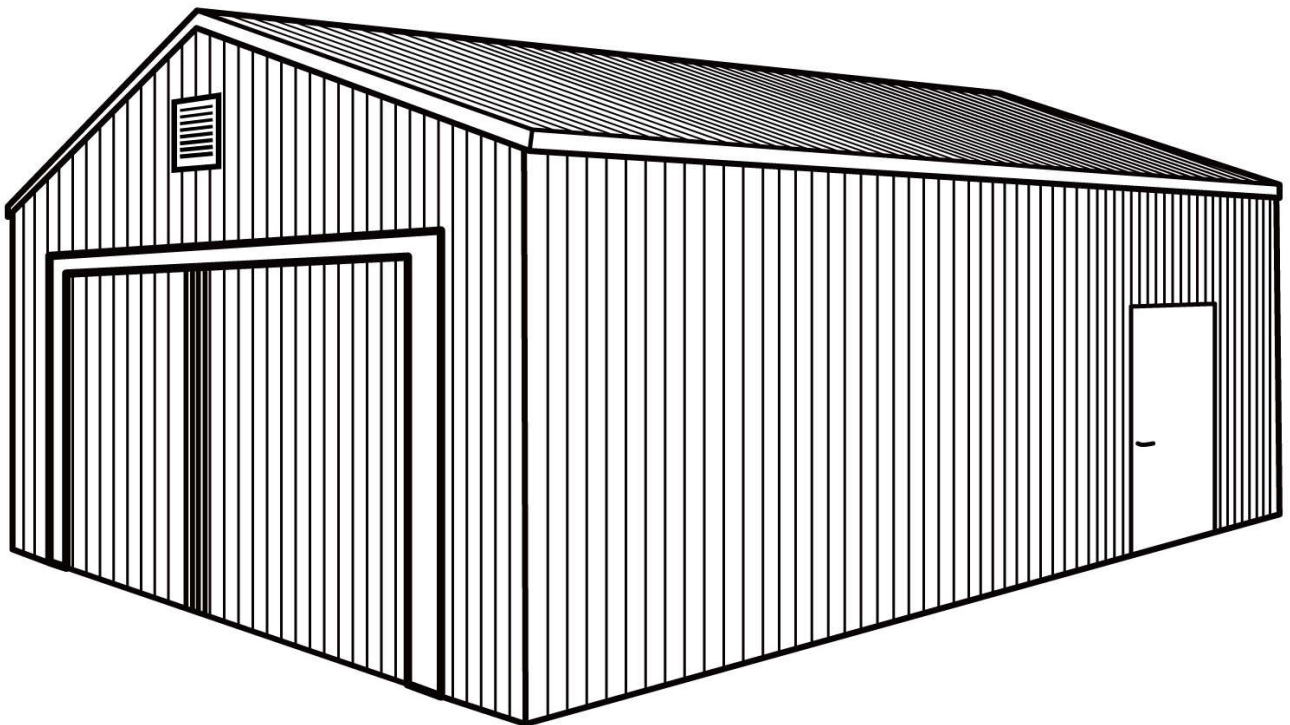
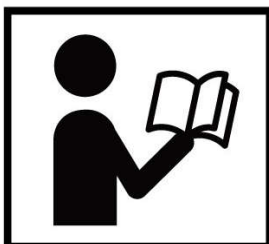


# 16' X 24' GARAGE METAL SHED WITH 12' SWING DOOR



## **⚠ WARNING**



This structure is intended for temporary outdoor storage use only. It is not designed to withstand heavy snow and wind loads and does not come with engineering drawings. To ensure suitability for your specific weather needs, it is your responsibility to verify their appropriateness for your intended use and local weather conditions, especially in areas prone to severe weather.

- Please read and understand the product manual completely before assembly
- Check against the parts list to make sure all parts are received
- Wear proper safety goggles or other protective gears while in assembly
- Do not return the product to dealer. They are not equipped to handle your requests.

Missing parts or have questions on assembly?

Please call: 1-877-761-2819 or email: [cs@tmgindustrial.com](mailto:cs@tmgindustrial.com)

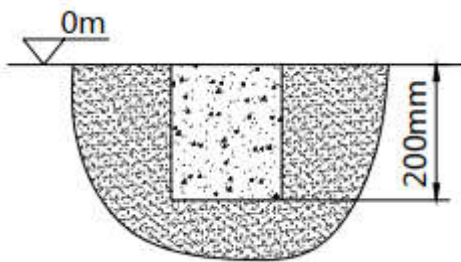
**MAIN SPECIFICATIONS:**

- Overall assembled size : W4.88 x L7.5x H3.05 (m) / 16 x 24.6 x 10 (ft)
- Front door : W3.6 x H2.0 (m) / 11.8 x 6.56 (ft)
- Side door : W0.9 x H2.0 (m) / 2.95 x 5.56 (ft)

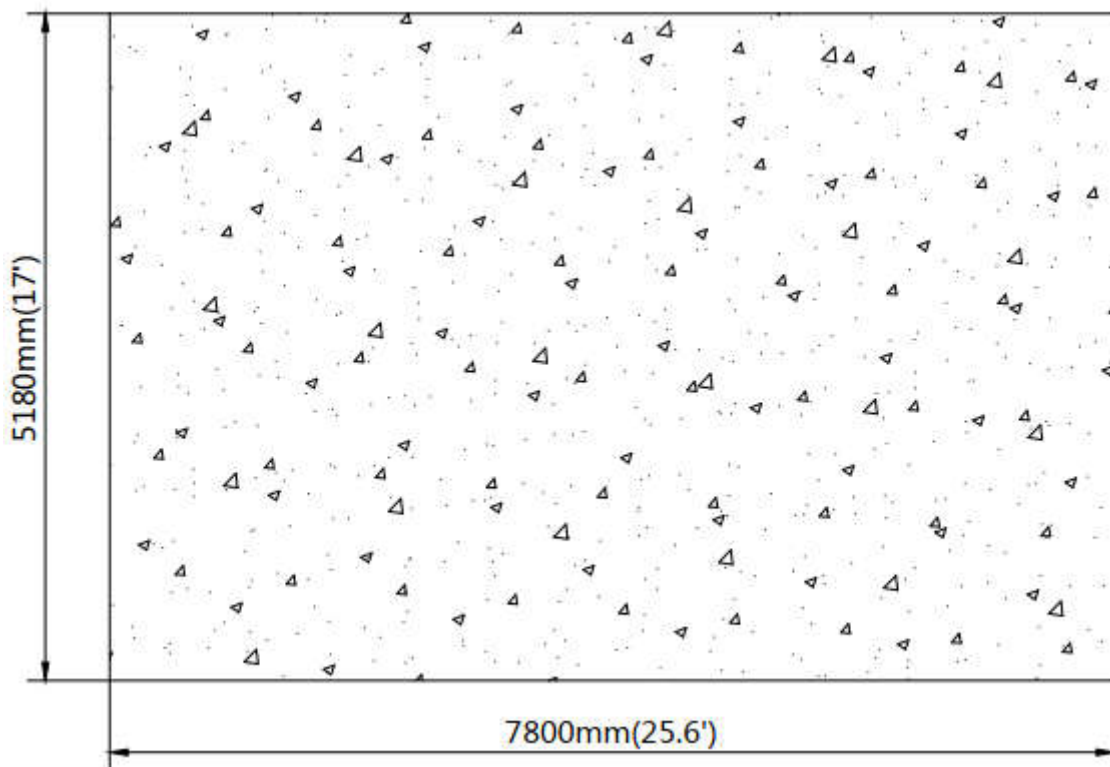
**CONCRETE FOUNDATION SIZE SEE BELOW FIGURE.**

- The layout of foundation (one).

Depth of cement



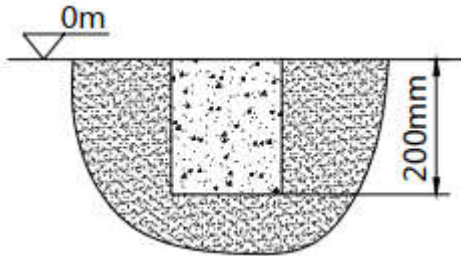
Unit: mm (ft)



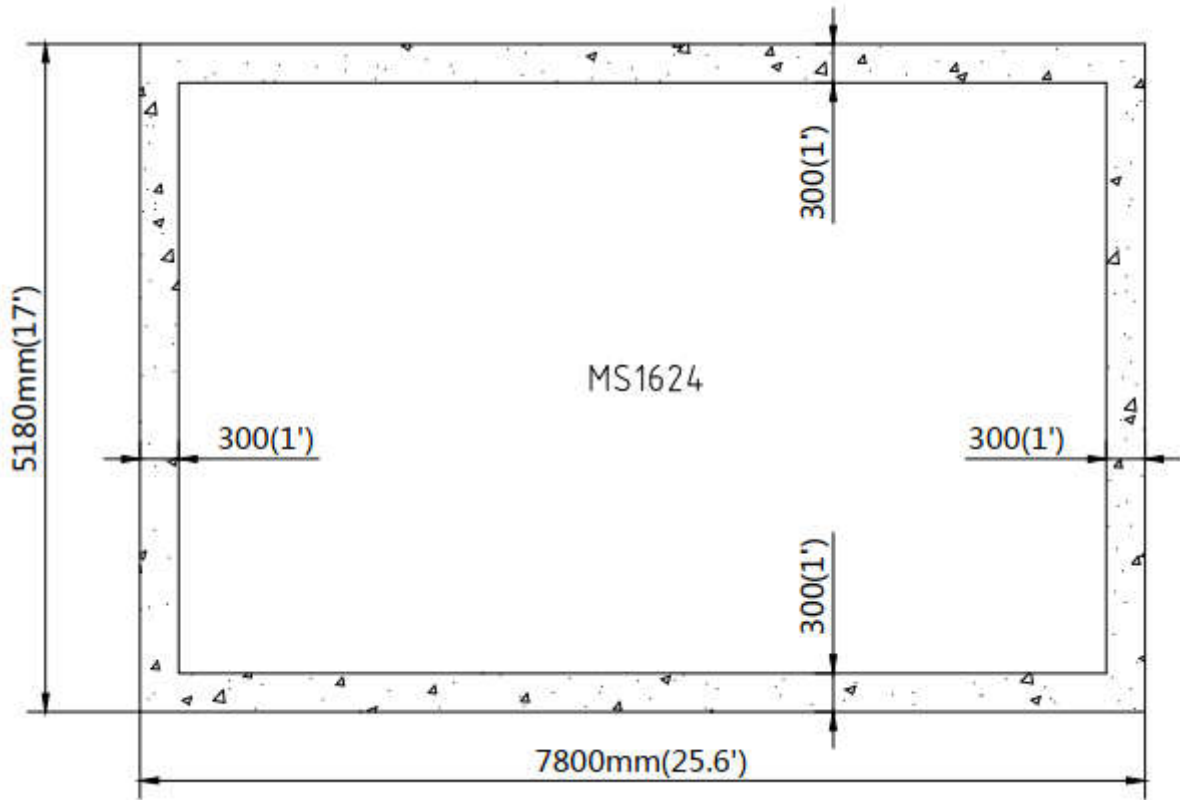
- The layout of foundation(two).

Note: the ground anchor is installed on the cement block.

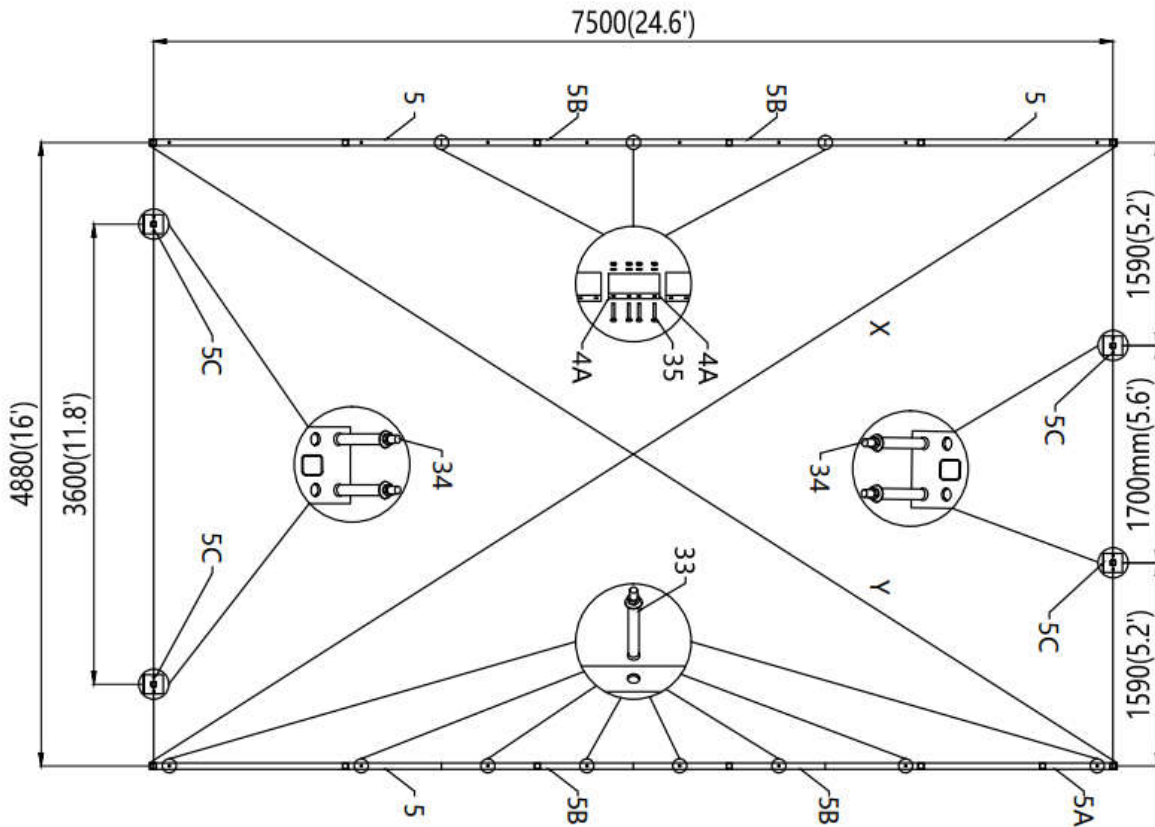
Depth of cement



Unit: mm (ft)



- Baseplate layout.



**PRIOR TO ASSEMBLY**

Please read the instructions carefully before installation. It is very important to follow your local safety regulations and industry standards during installation. Regulations may include but are not limited to:

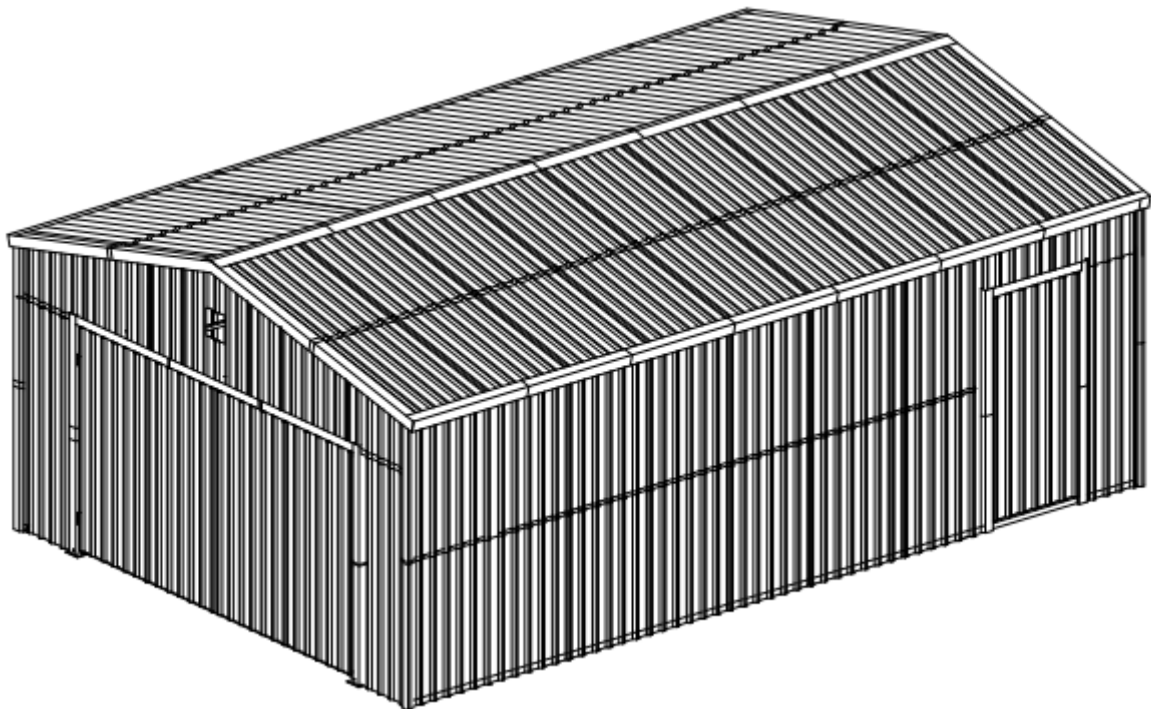
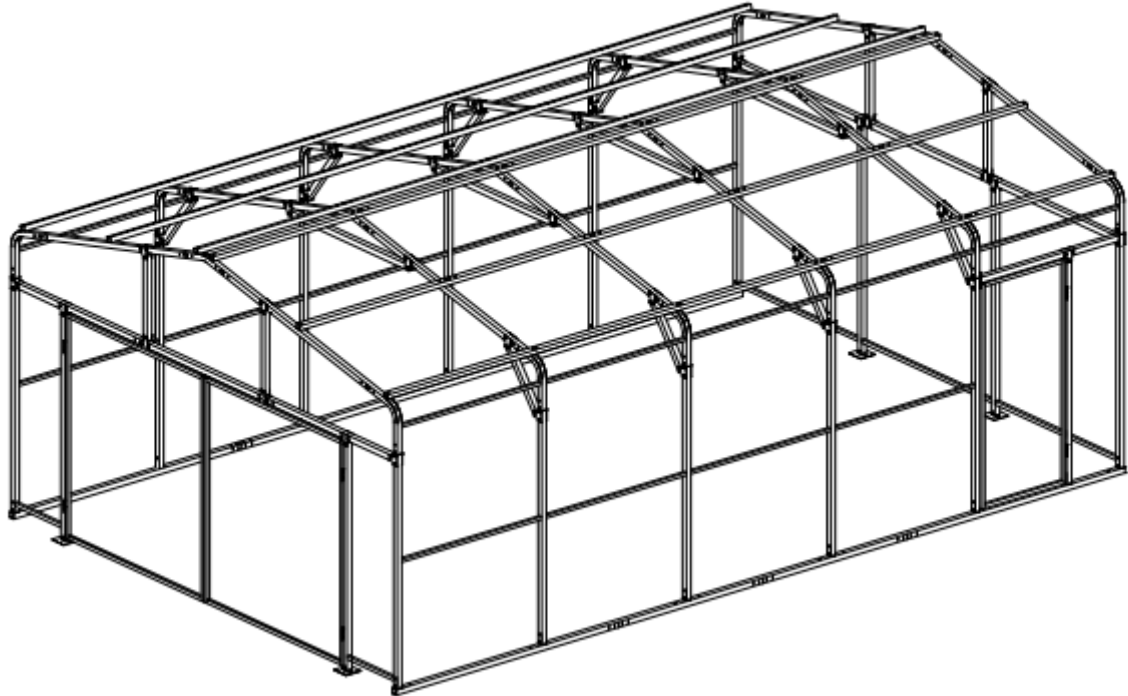
- Safety helmets, protective eyewear, and clothing.
- Safety harnesses for all elevated workers.
- Proper ladder, cage, and safety operation.

Check all components and parts before installation. All parts are marked with a part number, please refer to the parts list to make sure you have all parts.


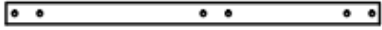



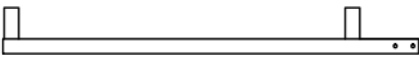
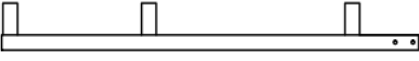
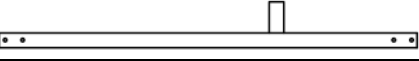





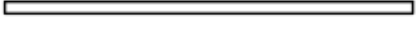




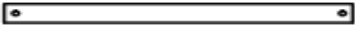

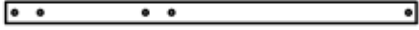
Choose a day with low or no wind to install, assembly is hard in heavy wind. Do not make any alterations to the structure. Do not hang any weights on the frame during installation, including parts. We are not responsible for any damages or injuries caused by inappropriate installation, unauthorized modifications or extreme weather.



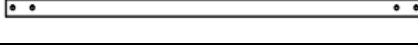









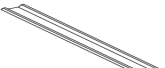
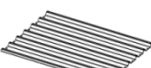
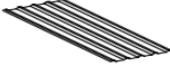

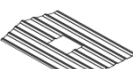
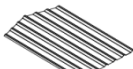



This building is not intended for human occupancy.


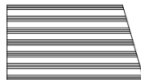



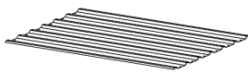



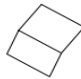




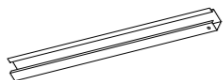
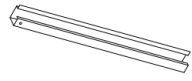

**FRAME STRUCTURE DIAGRAM**



**TMG-MS1624 Part List**










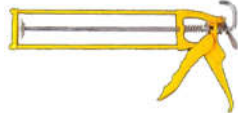




<b>PARTS CODE</b>	<b>GRAPHICAL</b>	<b>DESCRIPTION</b>	<b>LENGTH</b>	<b>QTY</b>
1		Peak arch tube	483mm	6
2		Middle rafter tube	1895mm	12
3		Shoulder tube	644mm	12
4		Sidewall tube	2033mm	12
4A		Long casing	200mm	46
5		Foot tube (front and rear)	1890mm	3
5A		Foot tube (side door)	1890mm	1
5B		Foot tube (middle)	1890mm	4
5C		Base plate	150x150mm	4
6		Top cross bar	1500mm	24
6A		Top cross bar A	1550mm	6
6B		Short casing	100mm	24
6C		Side cross bar	1448mm	19
6D		Front cross bar	588mm	2
6E		Rear cross bar	1538mm	2
6F		Rear cross bar F	1648mm	1
6G		Corner code	30x40mm	48
7		Ceiling cross bar (top)	1540mm	4
7A		Reinforcing tube (both sides)	655mm	8
7B		Reinforced tube mounting plate	100x100mm	82
8		Cross tube (front door both sides)	1600mm	2

8A		Cross tube (front door middle)	1600mm	1
8B		Cross tube (rear both sides)	1600mm	2
8C		Cross tube (rear middle)	1600mm	1
9		Support tube (front and rear)	805mm	4
10		Vertical tube (front and rear)	1982mm	4
11		Vertical tube (side door)	1965mm	1
12		Cross tube (side door)	1448mm	1
13		Door frame column tube	1956mm	6
13A		Door horizontal tube (front door)	1700mm	4
13B		Door horizontal tube (side door)	810mm	2
14		Metal sheet (top)	870x1400mm	36
15		Metal sheet (both sides)	870x1290mm	32
15A		Metal sheet (both sides)	276x1290mm	2
16		Metal sheet (side door top)	870X490mm	2
16A		Metal sheet (side door right)	613x2080mm	1
16B		Metal sheet (side door)	800x1880mm	1
17		Metal sheet (front window)	870x1100mm	1
17A		Metal sheet (rear middle)	870x1100mm	1
17L		Metal sheet (L)	435x1000mm	2
17R		Metal sheet (R)	435x1000mm	2
17L1		Metal sheet (L1)	870x927mm	2

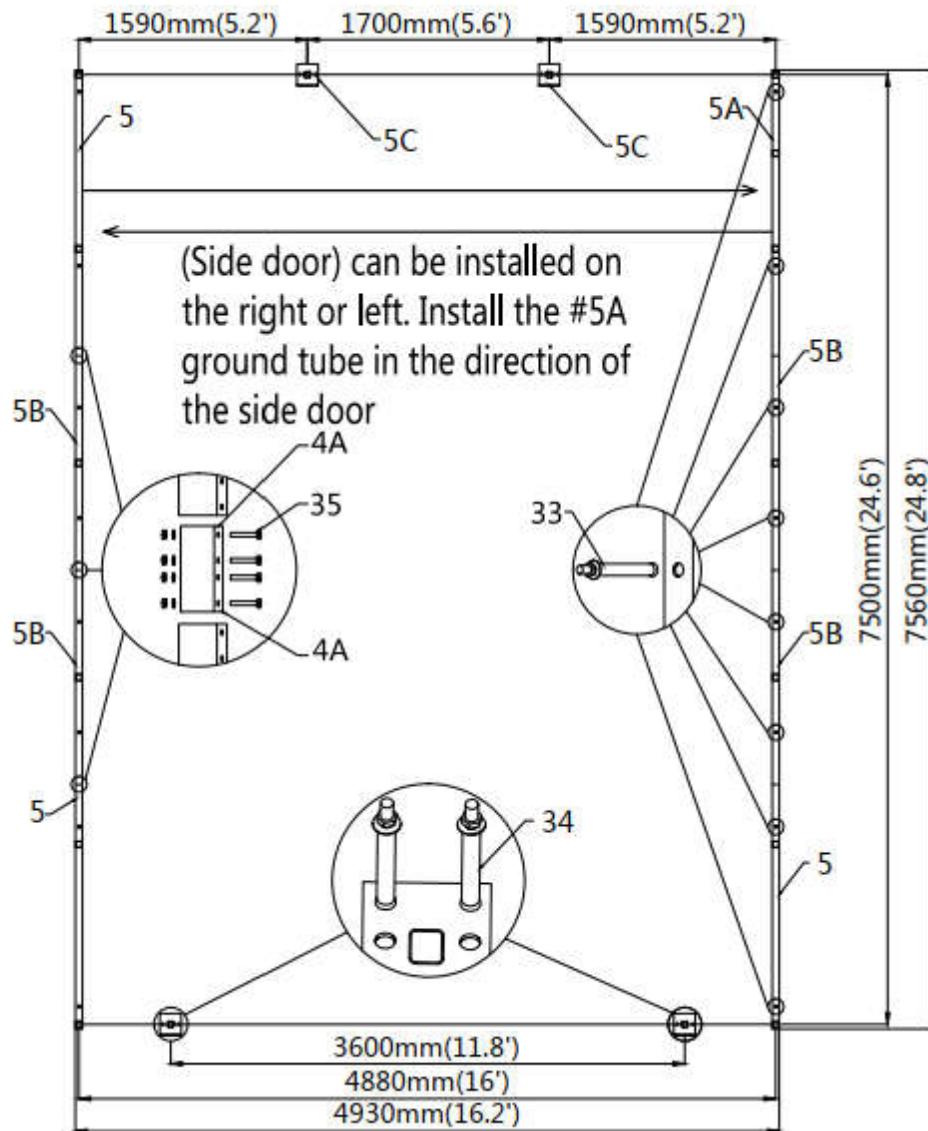
17R1		Metal sheet (R1)	870x927mm	2
17L2		Metal sheet (L2)	870x728mm	2
17R2		Metal sheet (R2)	870x728mm	2
18		Metal sheet (front door both sides)	680x2060mm	2
18A		Metal sheet (front door)	870x1880mm	4
19		Metal sheet (rear)	870x2100mm	6
20		Edge protector (top)	1200mm	7
21		Edge protector (both sides)	1200mm	14
21A		Edge protector (front and rear)	1350mm	8
21B		Edge protector (front and rear)	100mm	4
22		Edge protector (corner)	1290mm	8
23R		Edge protector (front and side share)	1050mm	2
23L		Edge protector (front door L)	1050mm	1
23L1		Edge protector (side door L1)	1050mm	1
24L		Edge protector (front door L)	1100mm	1
24R		Edge protector (front door R)	1100mm	1
25L		Edge protector (side door L)	1100mm	1


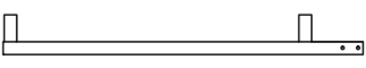
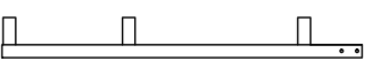




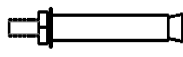
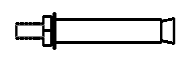

25R		Edge protector (side door R)	1100mm	1
26		Edge protector (front)	1200mm	1
26L		Edge protector (front)	1200mm	1
26R		Edge protector (front)	1200mm	1
27		Edge protector (side)	898mm	1
28		Edge protector (front and side share)	1890mm	6
28A		Edge protector (front door)	1688mm	4
28B		Edge protector (side door)	808mm	2
29		Edge protector (side door)	1890mm	1
30		Baffle ( front door )	100x1760mm	2
30A		Baffle ( side door )	100x870mm	1
31		Fixed plate ( door )	200x200mm	8
32		Fixed plate (loose-leaf )	80x100mm	6
32A		Fixed plate ( side door )	50x130mm	1
33		Expansion bolt	φ 16x150mm	16
34		Expansion bolt	φ 14x100mm	8
35		Hex bolt and nuts	M10x70mm	289
36		Self locking bolt and nuts	M10x100mm	36
37		Self locking bolt and nuts	M10x50mm	24
38		Half round head bolt	M6x50mm	12

39		Self tapping screw	#12x25mm	858
40		Blind rivet	φ 5x10mm	98
41		Blind rivet	φ 3.2x10mm	458
42		Loose-leaf	80mm	6
43		Door lock handle	φ 12x6"	3
44		Ground lock	φ 12x12"	2
45		Lock		1
46		Shutters	300x300	1
47		Waterproof silicon sealant		1
47A		Teroson statu		1
48		Inside hexagonal wrench	4mm	1
50		Sleeve	8mm	2
51		Drill	φ 3.5	2
52		Drill	φ 5.2	1

**STEP 1 : FOOT TUBE AND BASE PLATE INSTALLATION.**

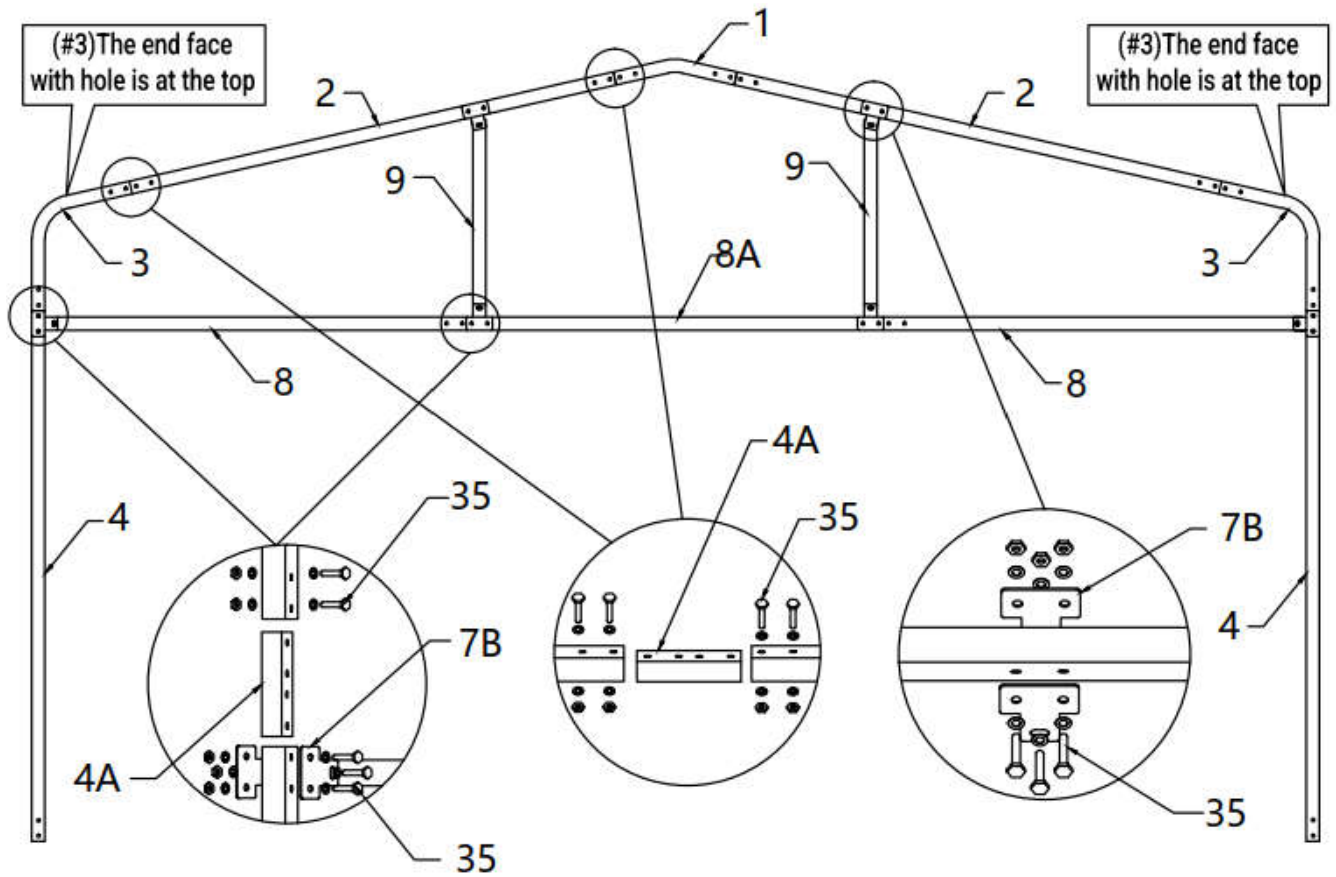


NO.	PART	QTY
4A		6
5		3
5A		1
5B		4

NO.	PART	QTY
5C		4
33		16
34		8
35		24

**STEP 2 : FRONT AND REAR TRUSSES INSTALLATION.**

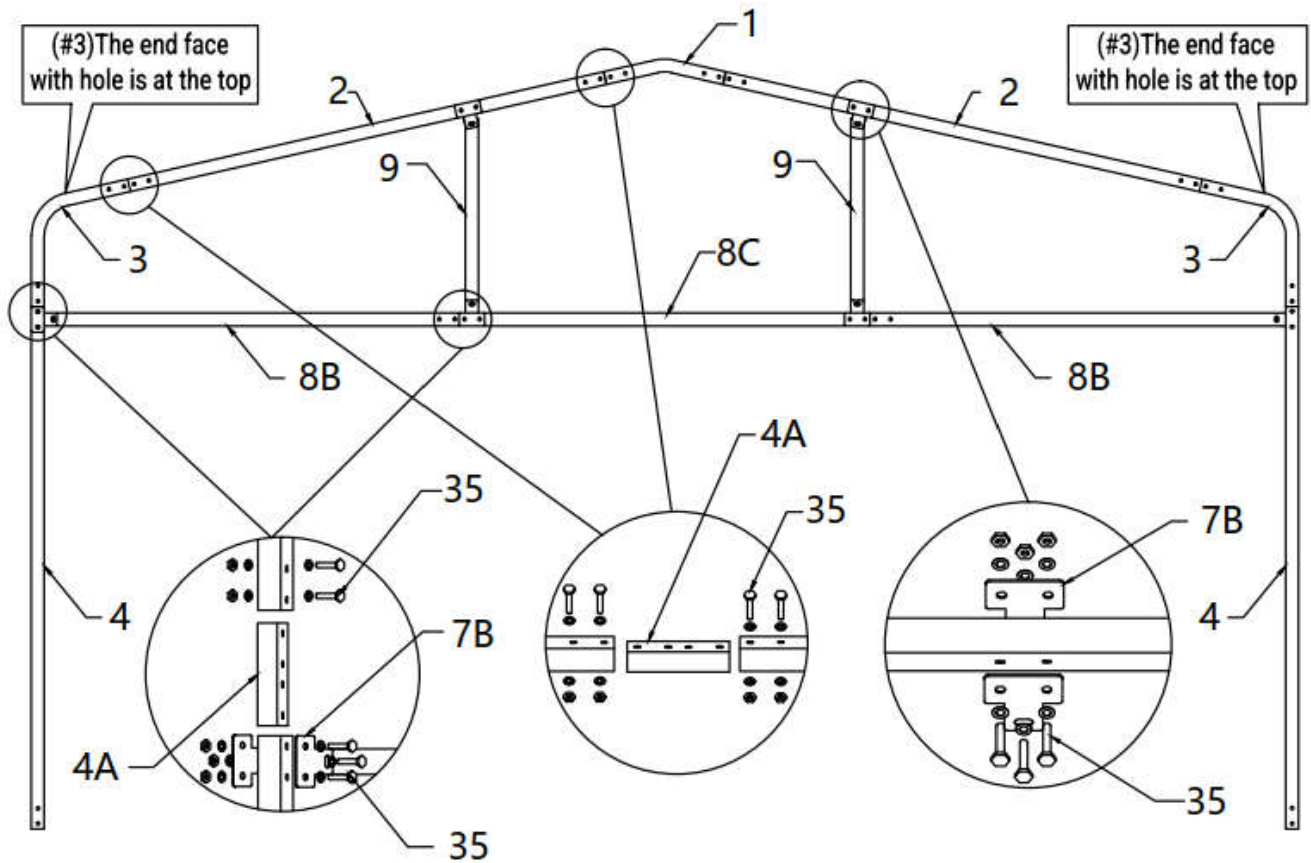
**THE FRONT TRUSS INSTALLATION.**



NO.	PART	QTY
1		1
2		2
3		2
4		2
4A		8

NO.	PART	QTY
7B		12
8		2
8A		1
9		2
35		42

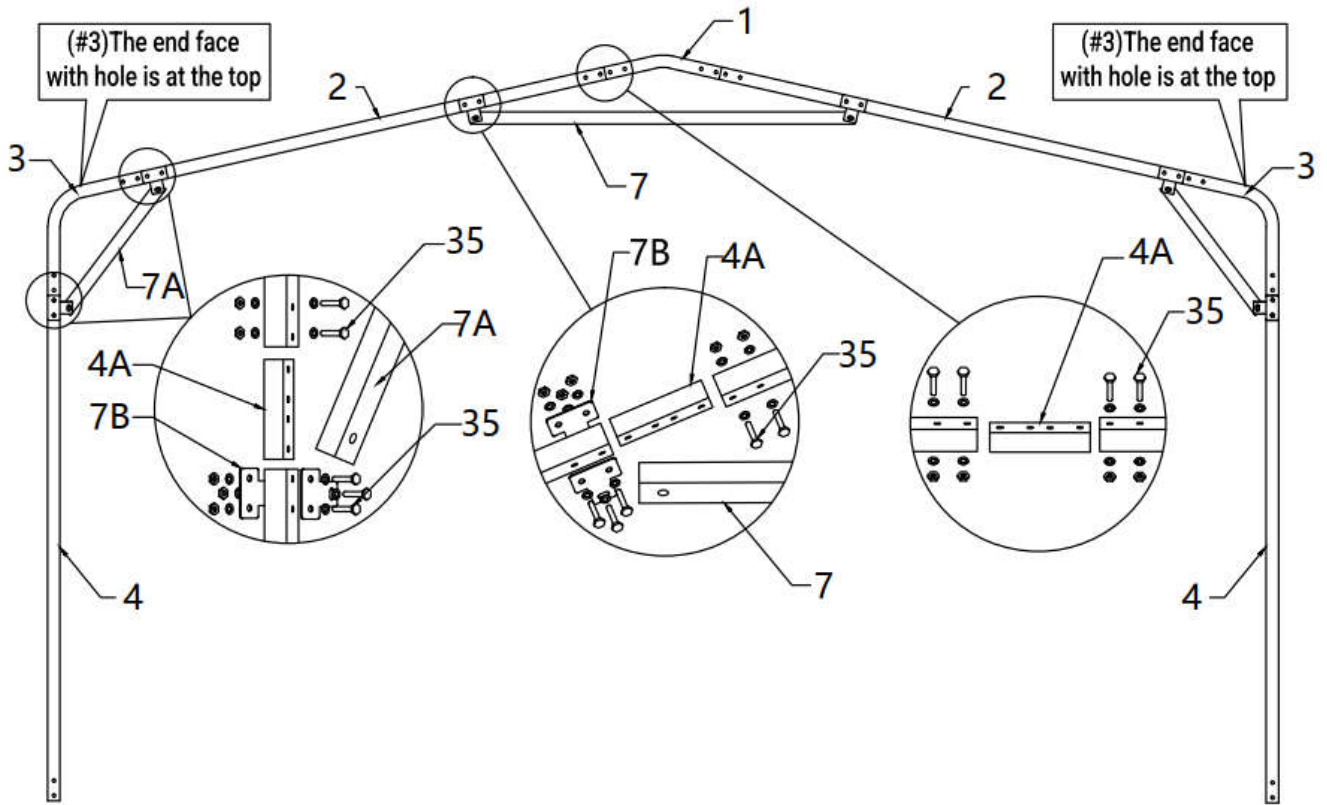
**THE REAR TRUSS INSTALLATION.**



NO.	PART	QTY
1		1
2		2
3		2
4		2
4A		8

NO.	PART	QTY
7B		12
8B		2
8C		1
9		2
35		42

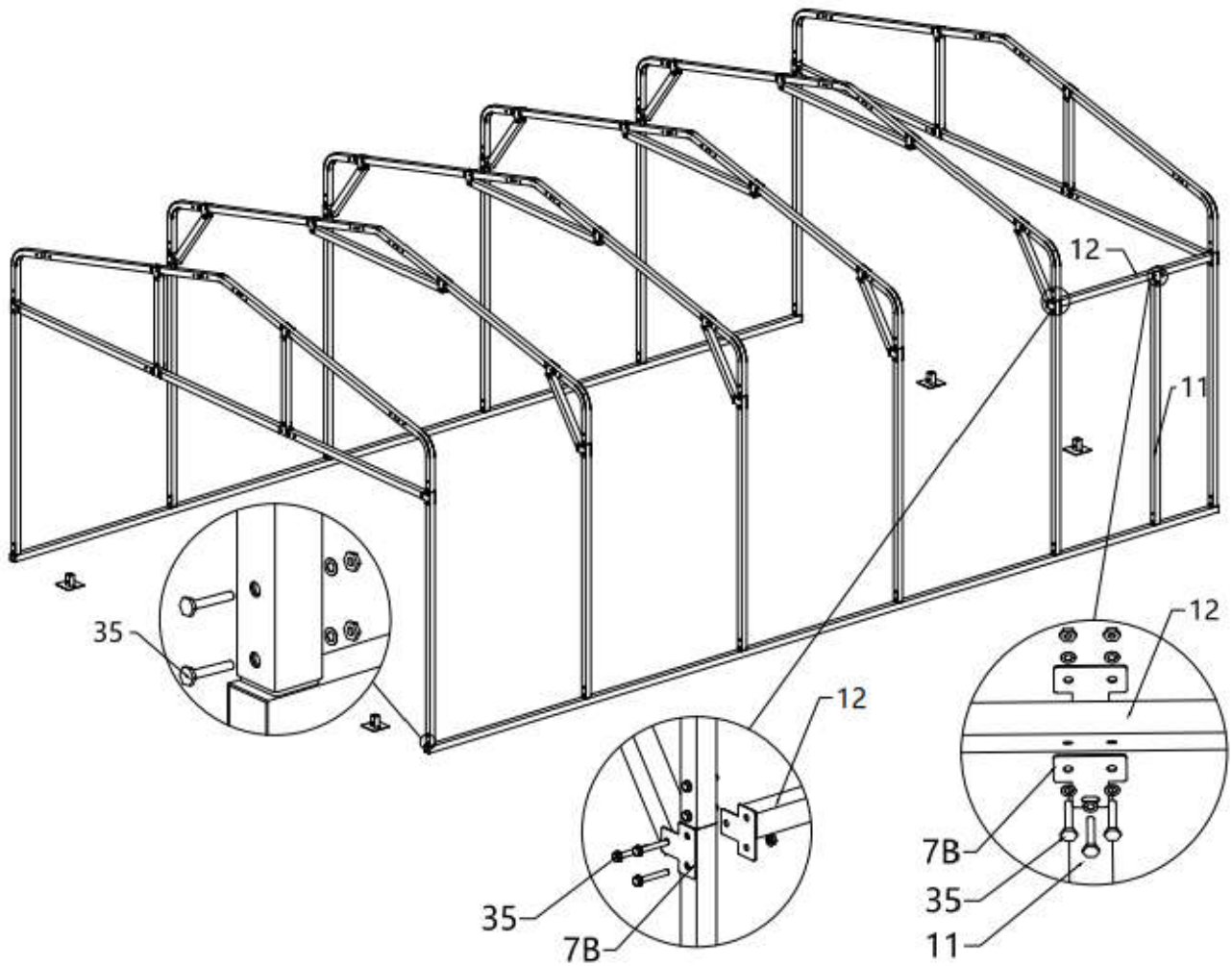
**STEP 3 : MIDDLE TRUSSES INSTALLATION.**

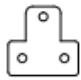





NO.	PART	QTY
1		1x4
2		2x4
3		2x4
4		2x4
4A		8x4

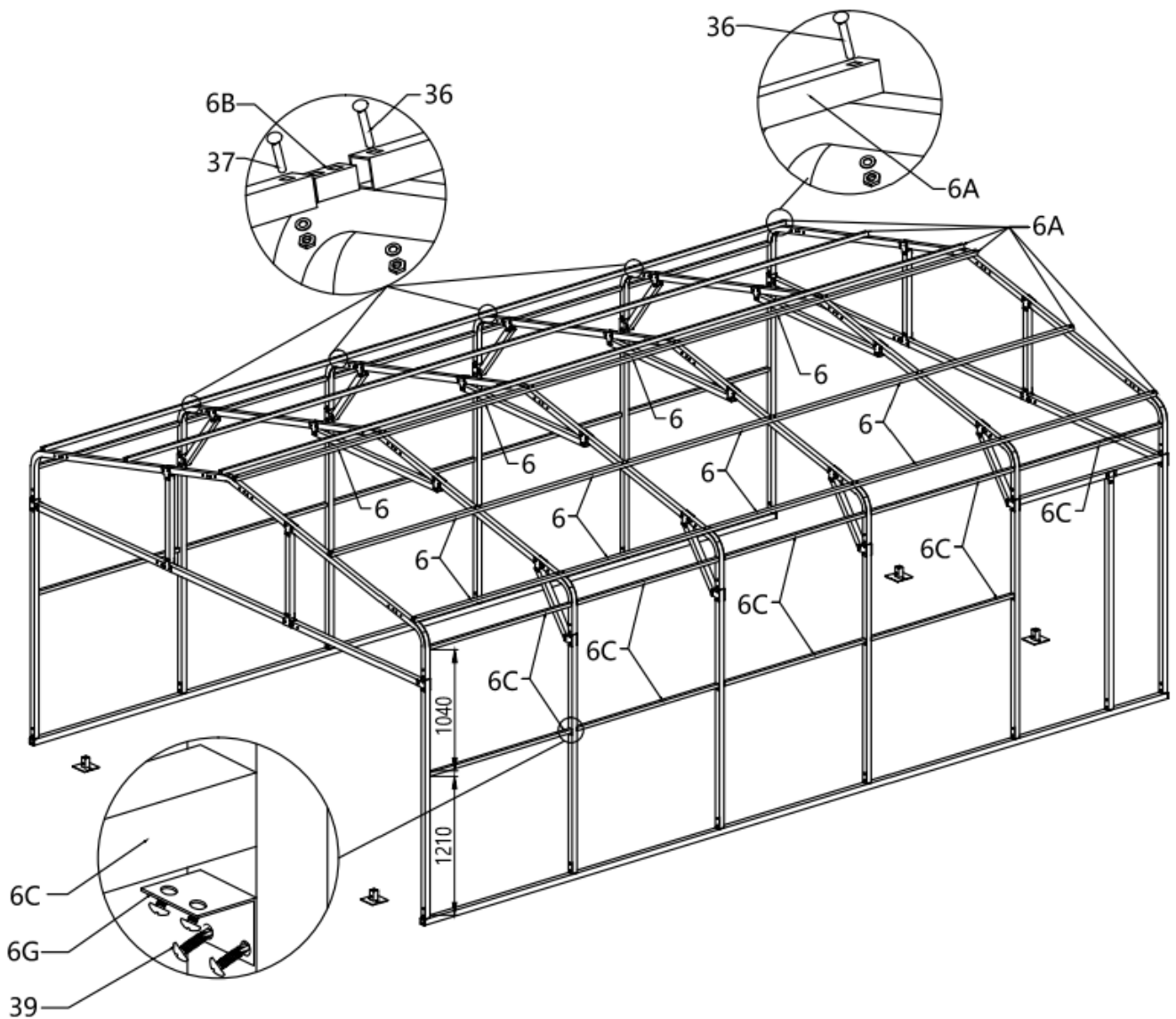
NO.	PART	QTY
7		1x4
7A		2x4
7B		12x4
35		34x4





**STEP 4 : TRUSS FIXED AND CROSS TUBE INSTALLATION.**




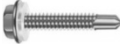


NO.	PART	QTY
7B		2
11		1
12		1
35		29

**STEP 5 : TOP CROSS BAR AND SIDE CROSS BAR INSTALLATION.**

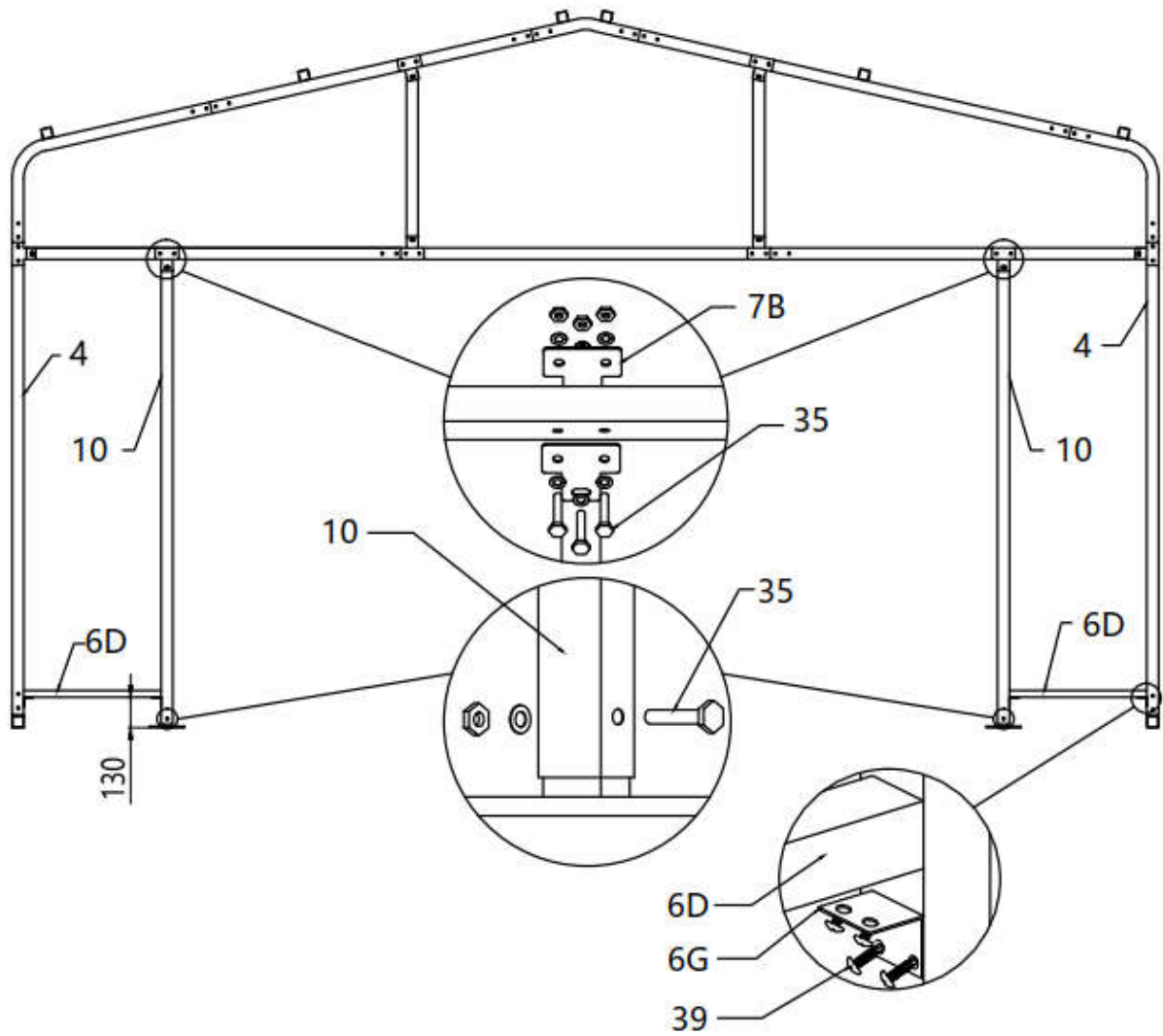








NO.	PART	QTY
6		24
6A		6
6B		24
6C		19

NO.	PART	QTY
6G		38
36		36
37		24
39		152

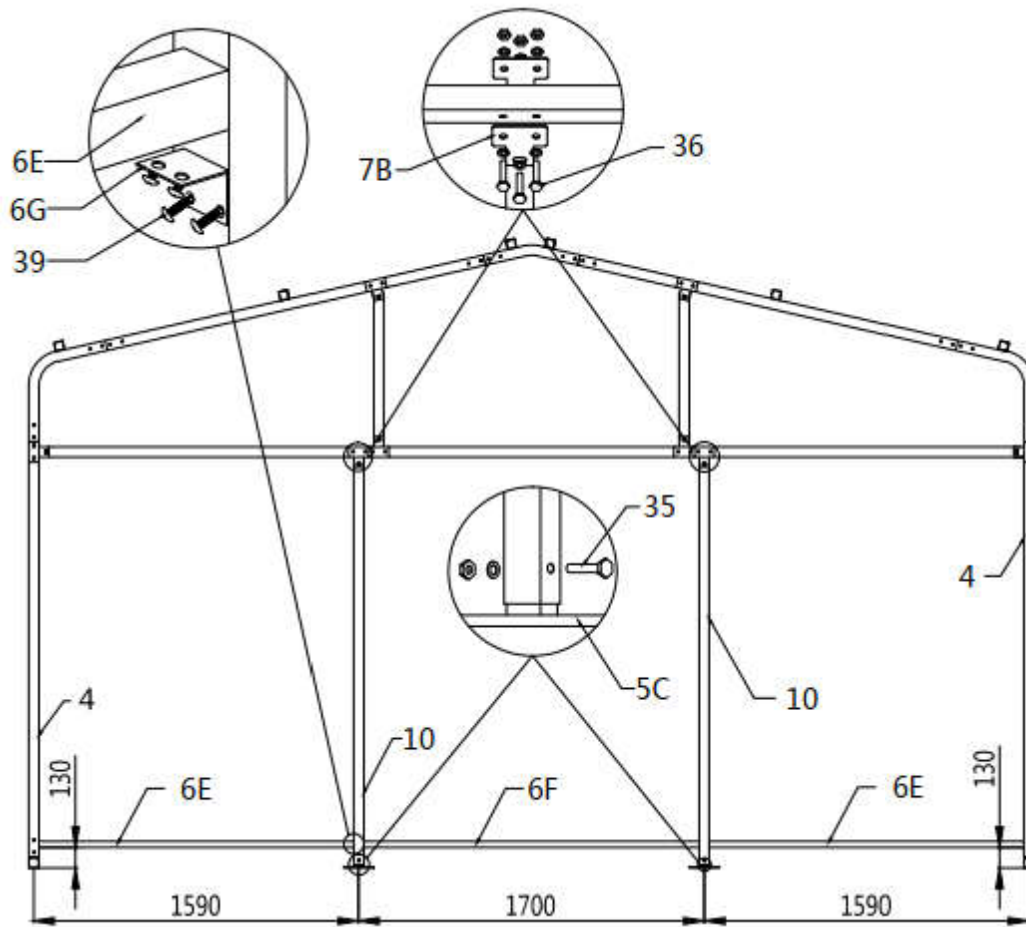






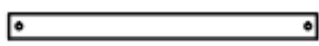


**STEP 6 : FRONT DOOR INSTALLATION.**



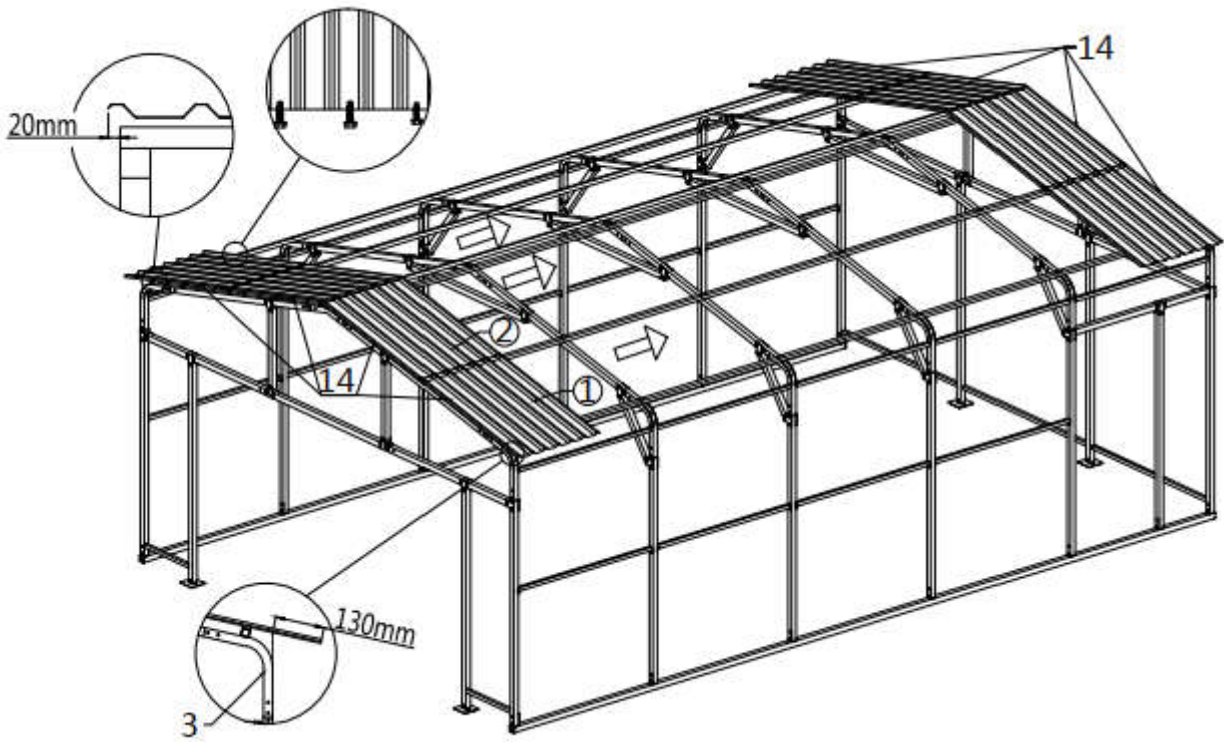
NO.	PART	QTY
6D		2
6G		4
7B		4
10		2
35		8
39		16

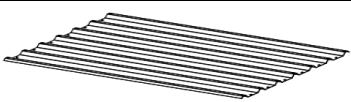

**STEP 7 : REAR WALL INSTALLATION.**



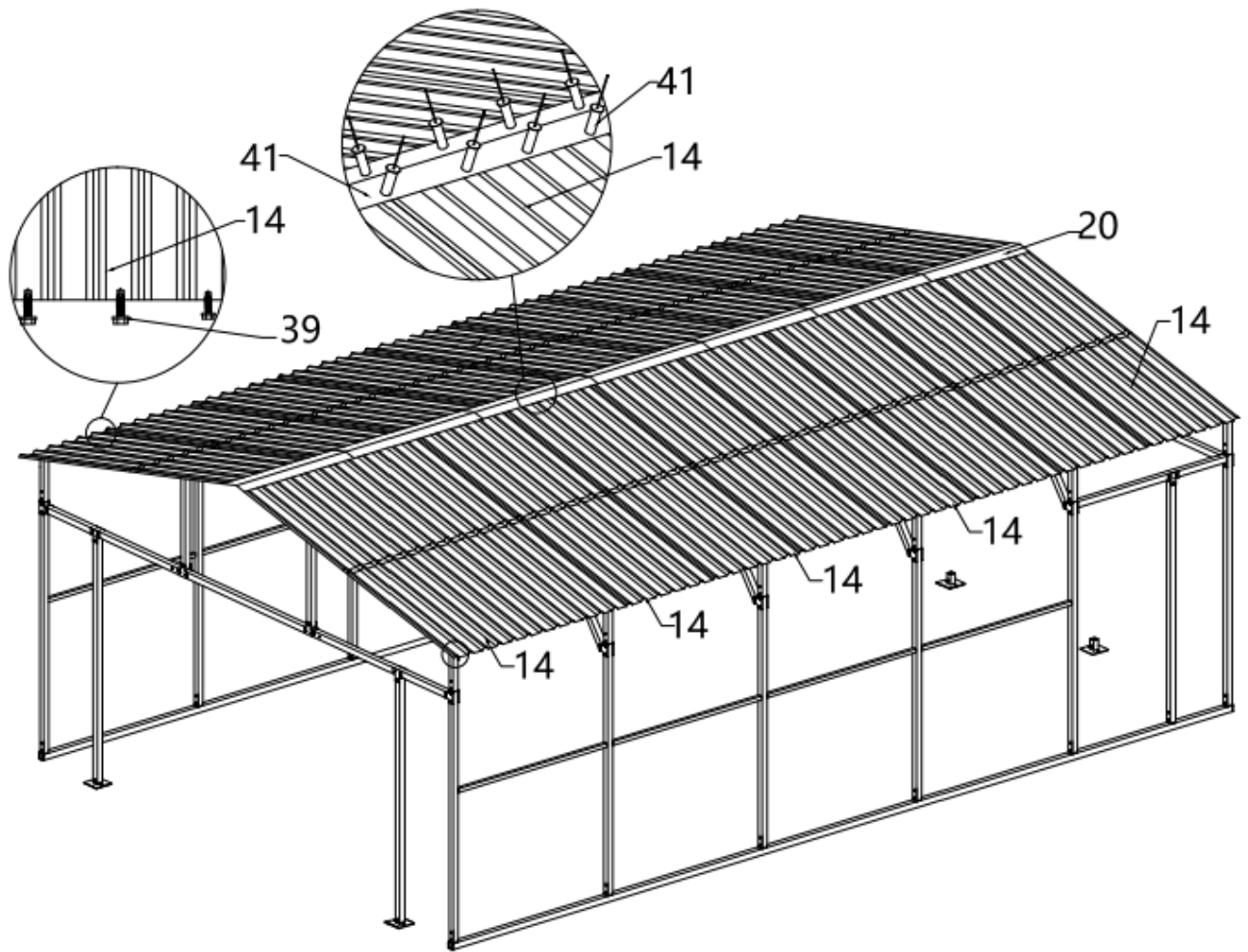
NO.	PART	QTY
6E		2
6F		1
6G		6
7B		4
10		2
35		8
39		24

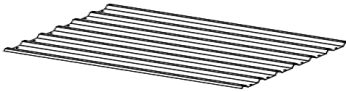



**STEP 8 : INSTALL THE COLOR IRON TILE.**



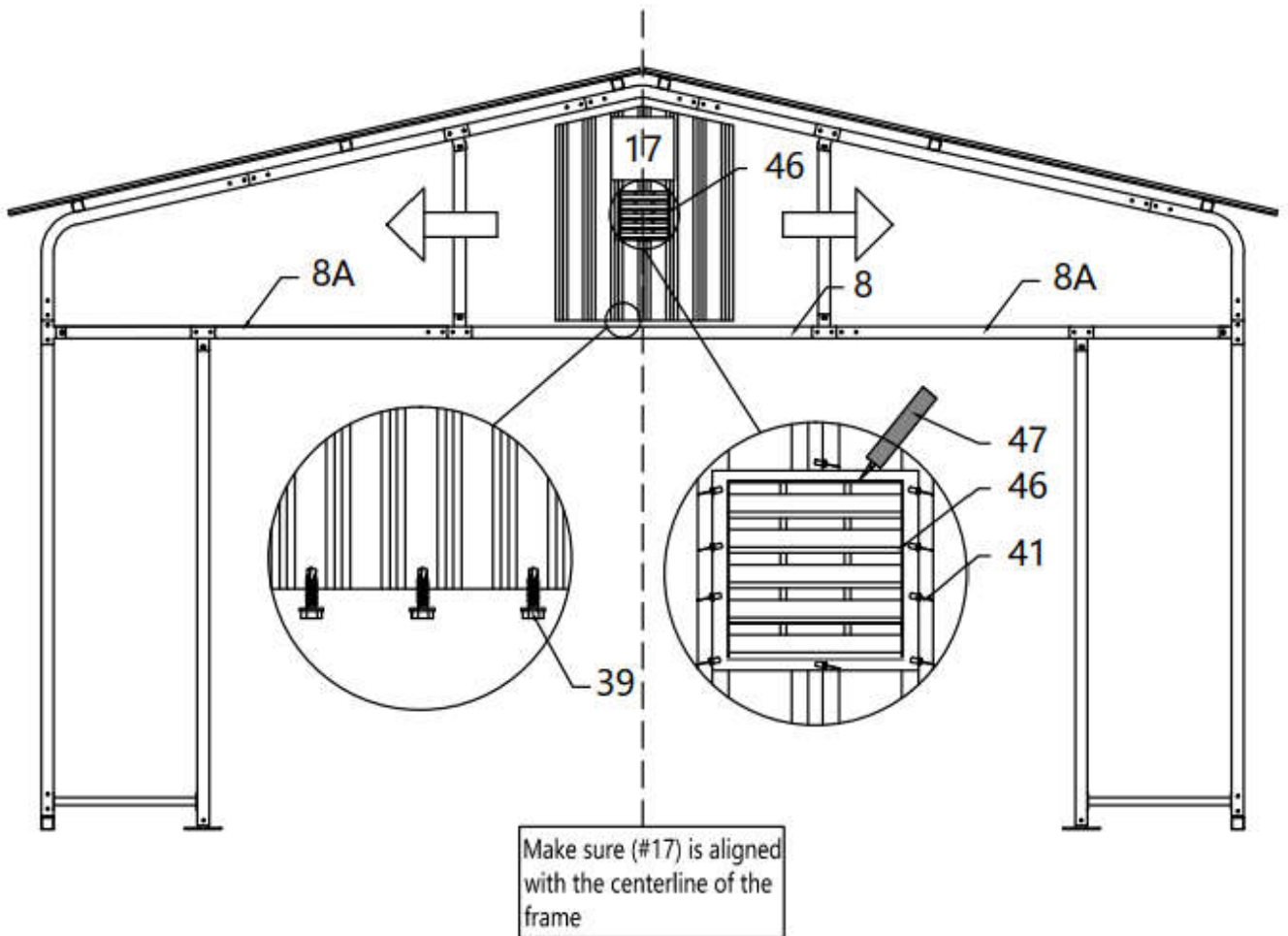
NO.	PART	QTY
14		8
39		48

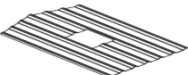




AFTER SETTING THE POSITION, YOU CAN COMPLETE THE REMAINING COLORED STEEL TILES.



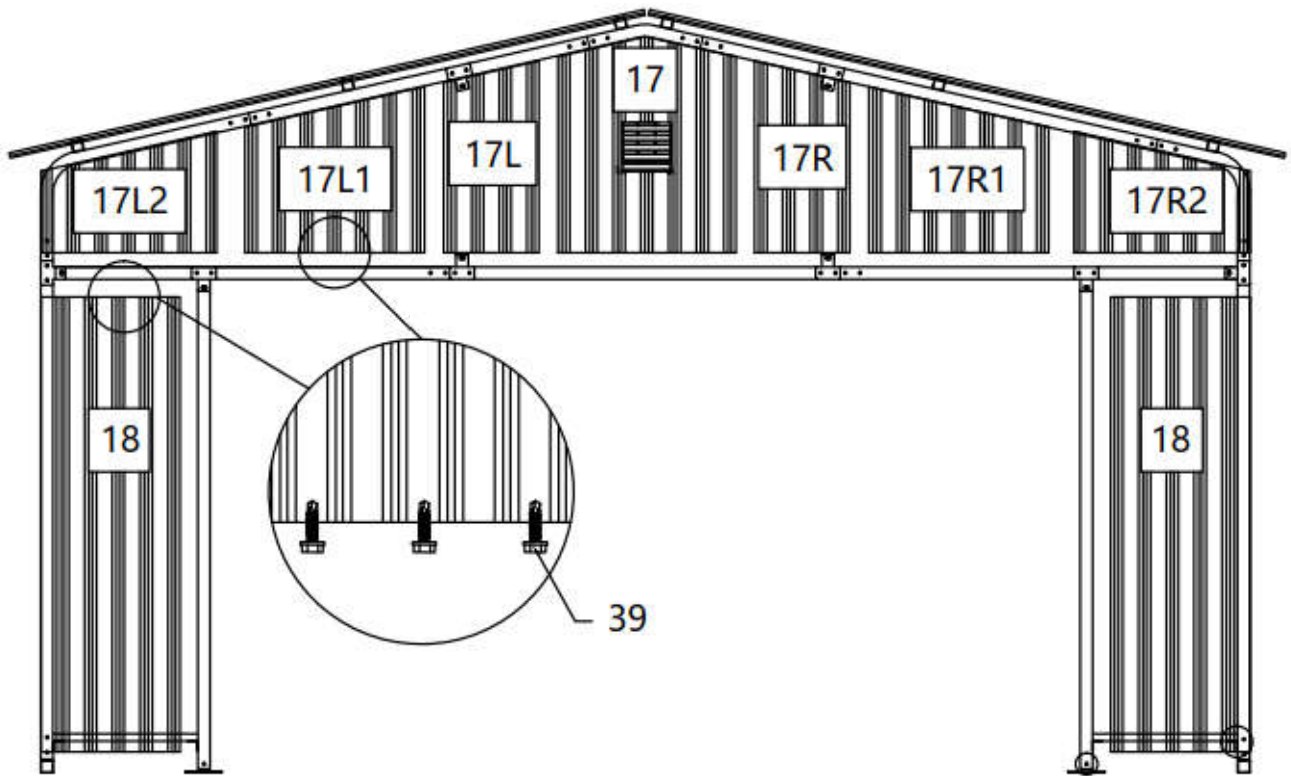
NO.	PART	QTY
14		28
20		7
39		168
41		70

**STEP 9 : INSTALL THE COLOR STEEL TILE OF THE FRONT DOOR.**



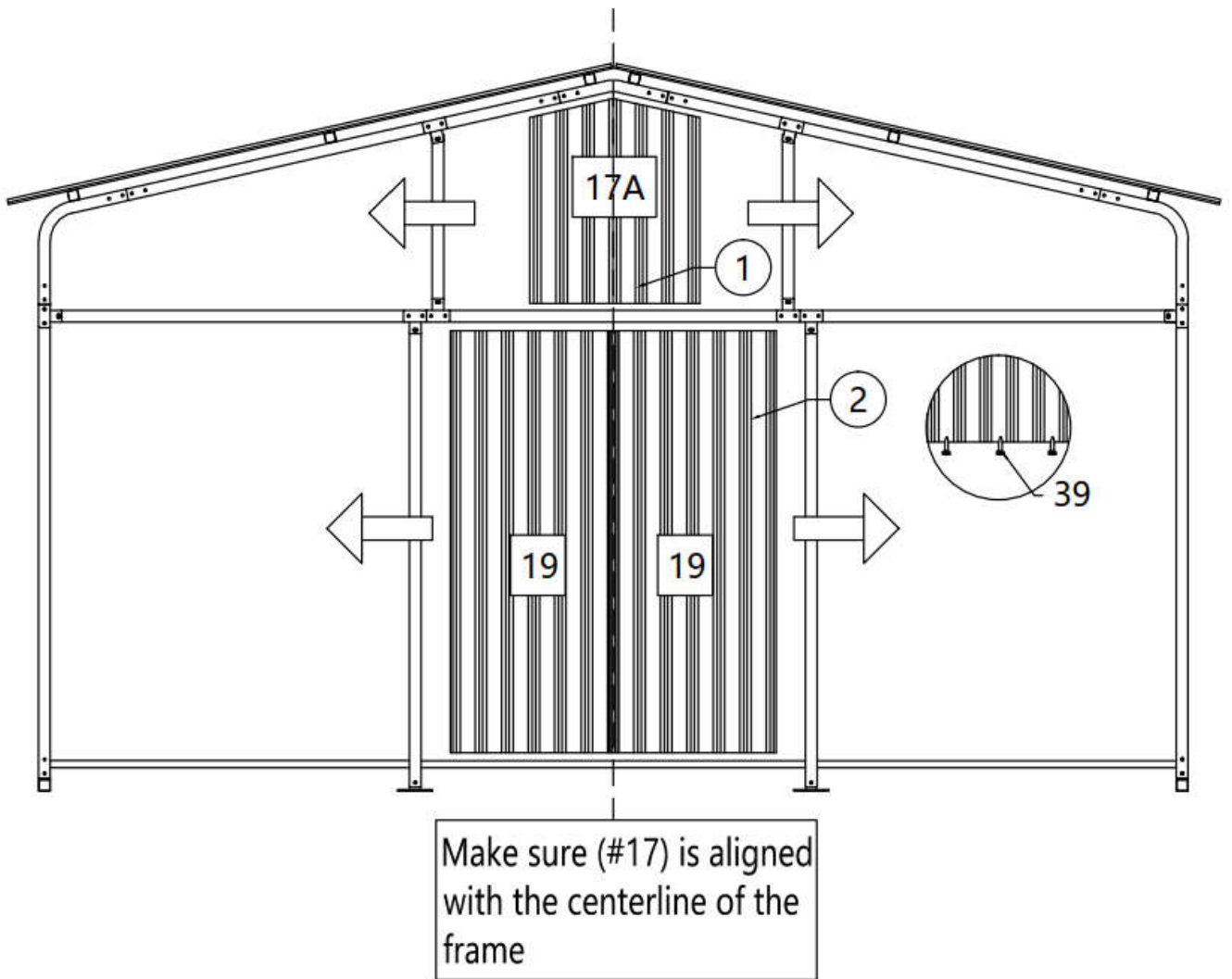
NO.	PART	QTY
17		1
39		8
41		10
46		1
47		1

AFTER SETTING THE POSITION, YOU CAN COMPLETE THE REMAINING COLORED STEEL TILES.



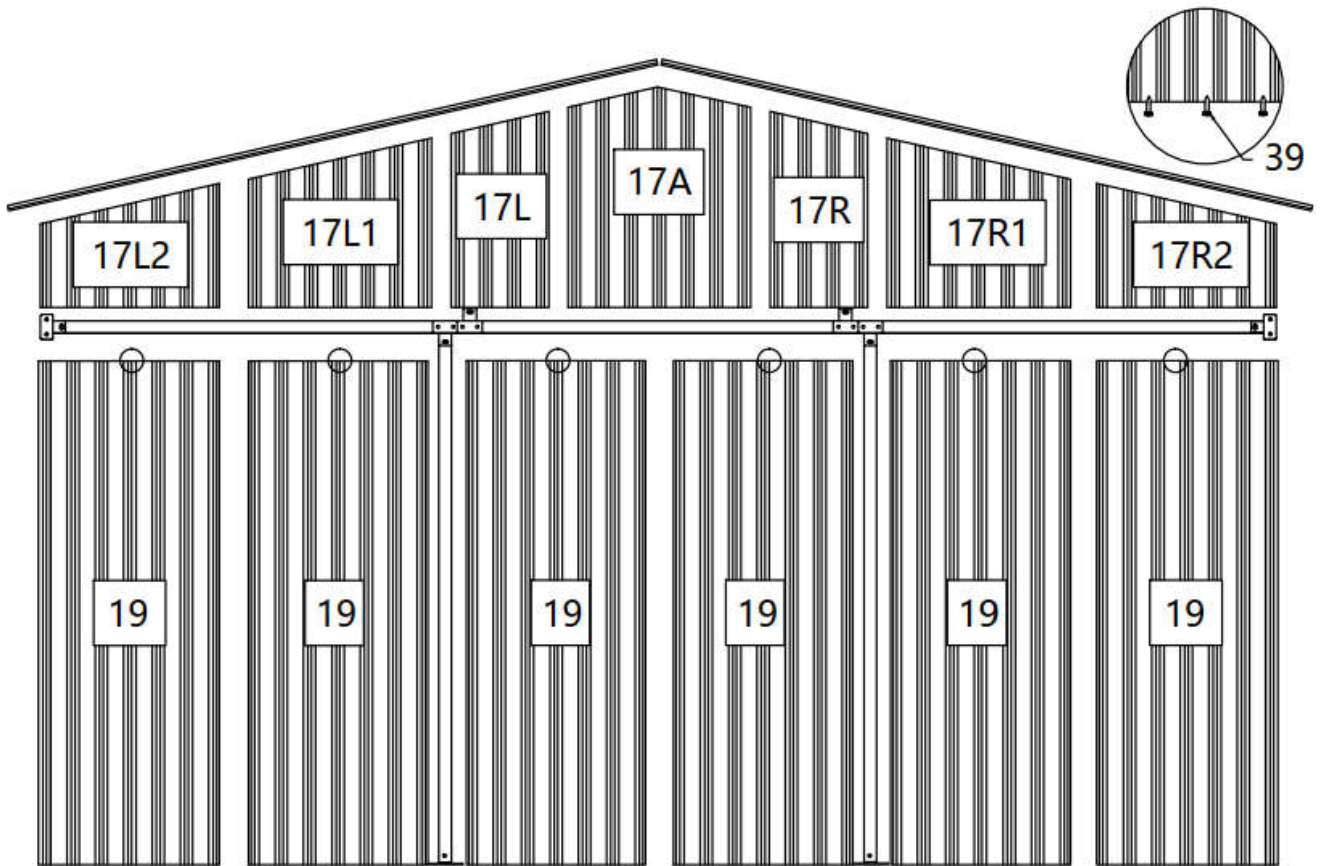
NO.	PART	QTY
17L		1
17R		1
17L1		1
17R1		1
17L2		1
17R2		1
18		2
39		56

**STEP 10 : INSTALL REAR GEAR COLOR STEEL TILE.**



NO.	PART	QTY
17A		1
19		2
39		24

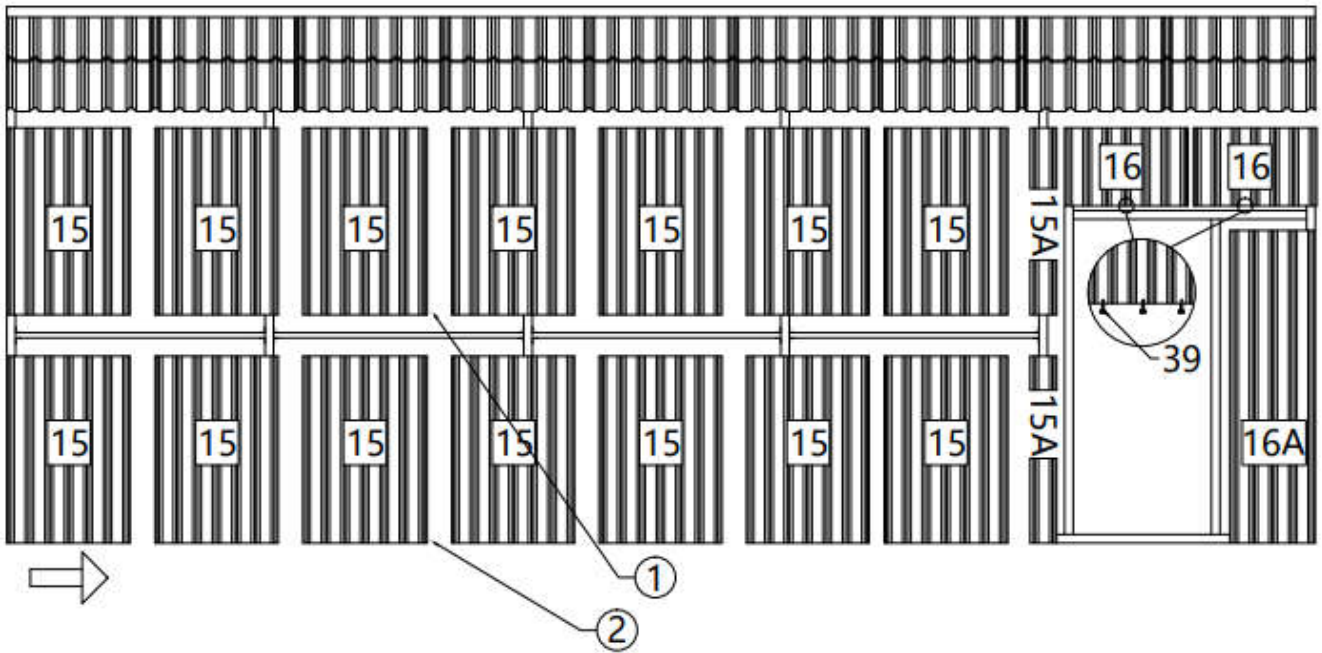
AFTER SETTING THE POSITION, YOU CAN COMPLETE THE REMAINING COLORED STEEL TILES.


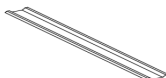





NO.	PART	QTY
17L		1
17R		1
17L1		1
17R1		1
17L2		1
17R2		1
19		4
39		76

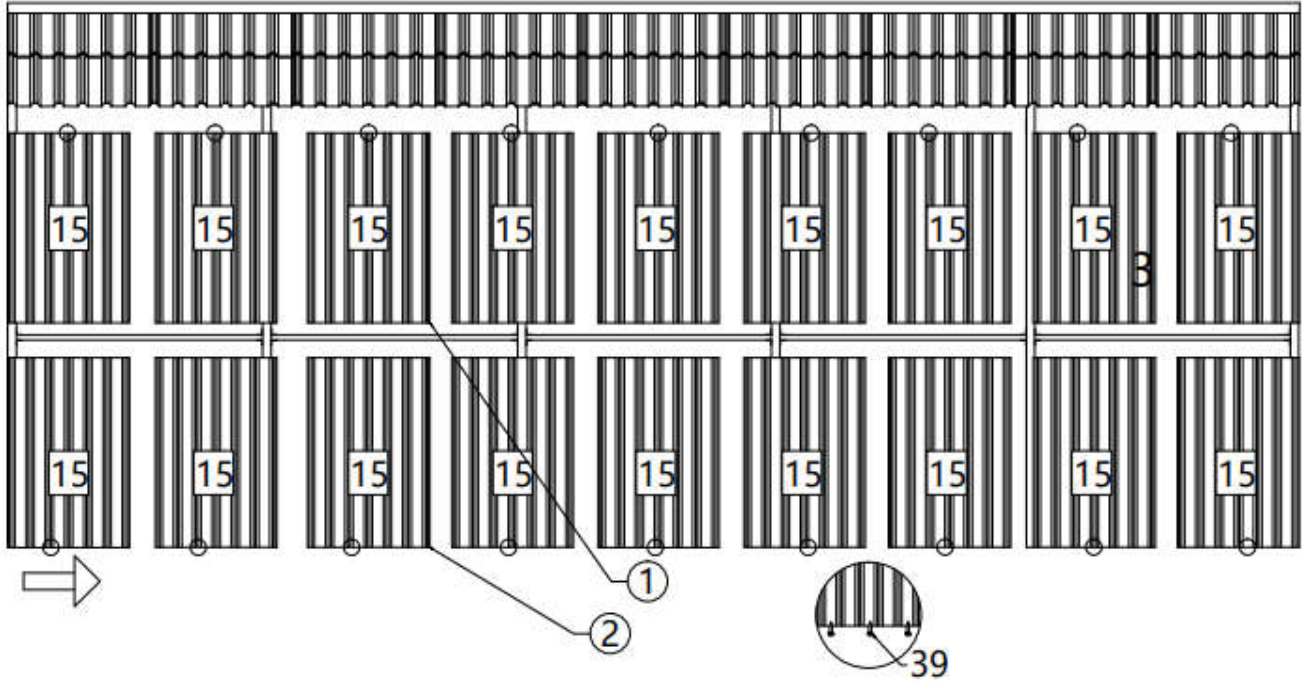




**STEP 11 : INSTALL SIDE COLOR STEEL TILE.**



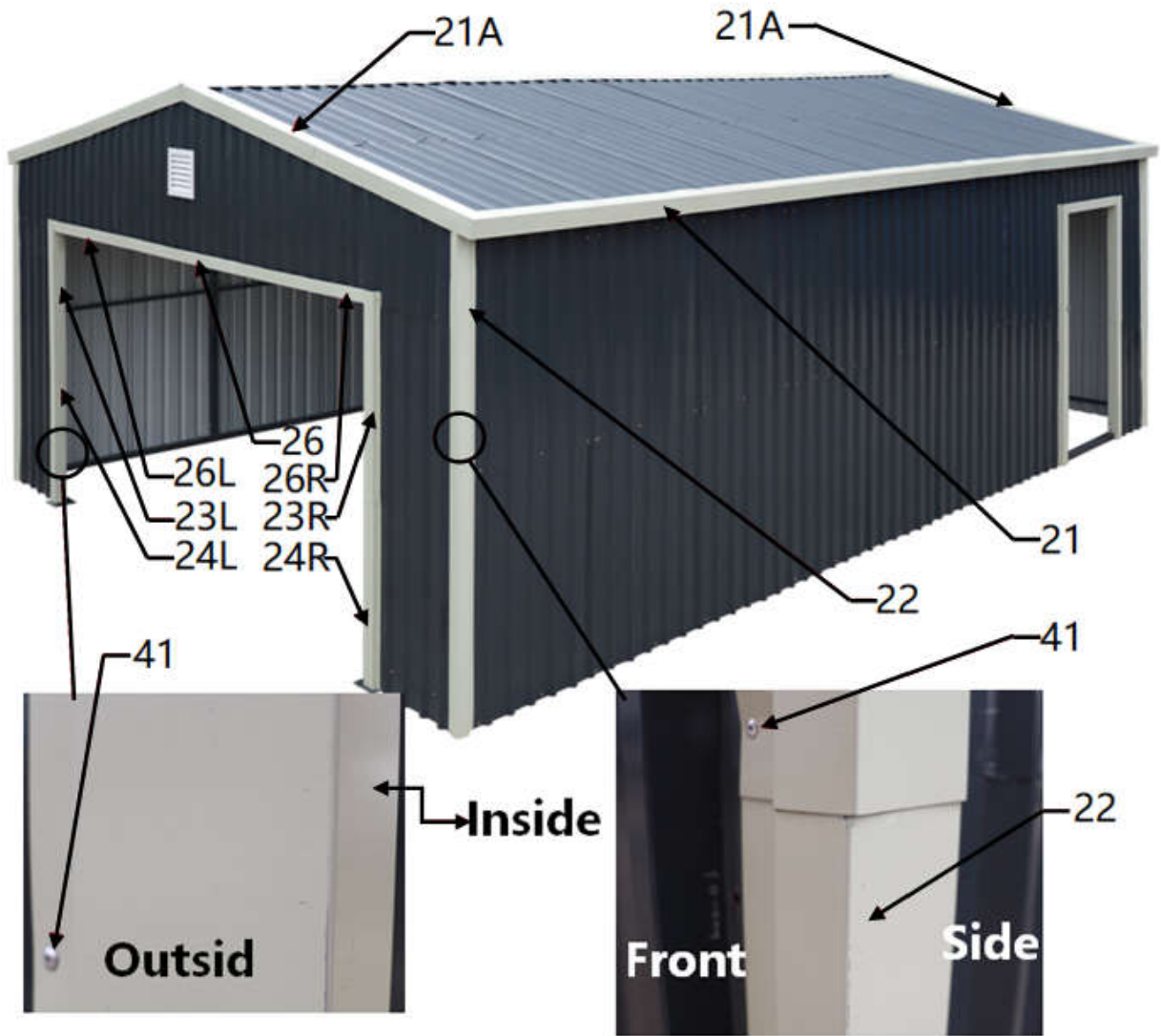
NO.	PART	QTY
15		14
15A		2
16		2
16A		1
39		106

**STEP 12 : INSTALL SIDE COLOR STEEL TILE.**



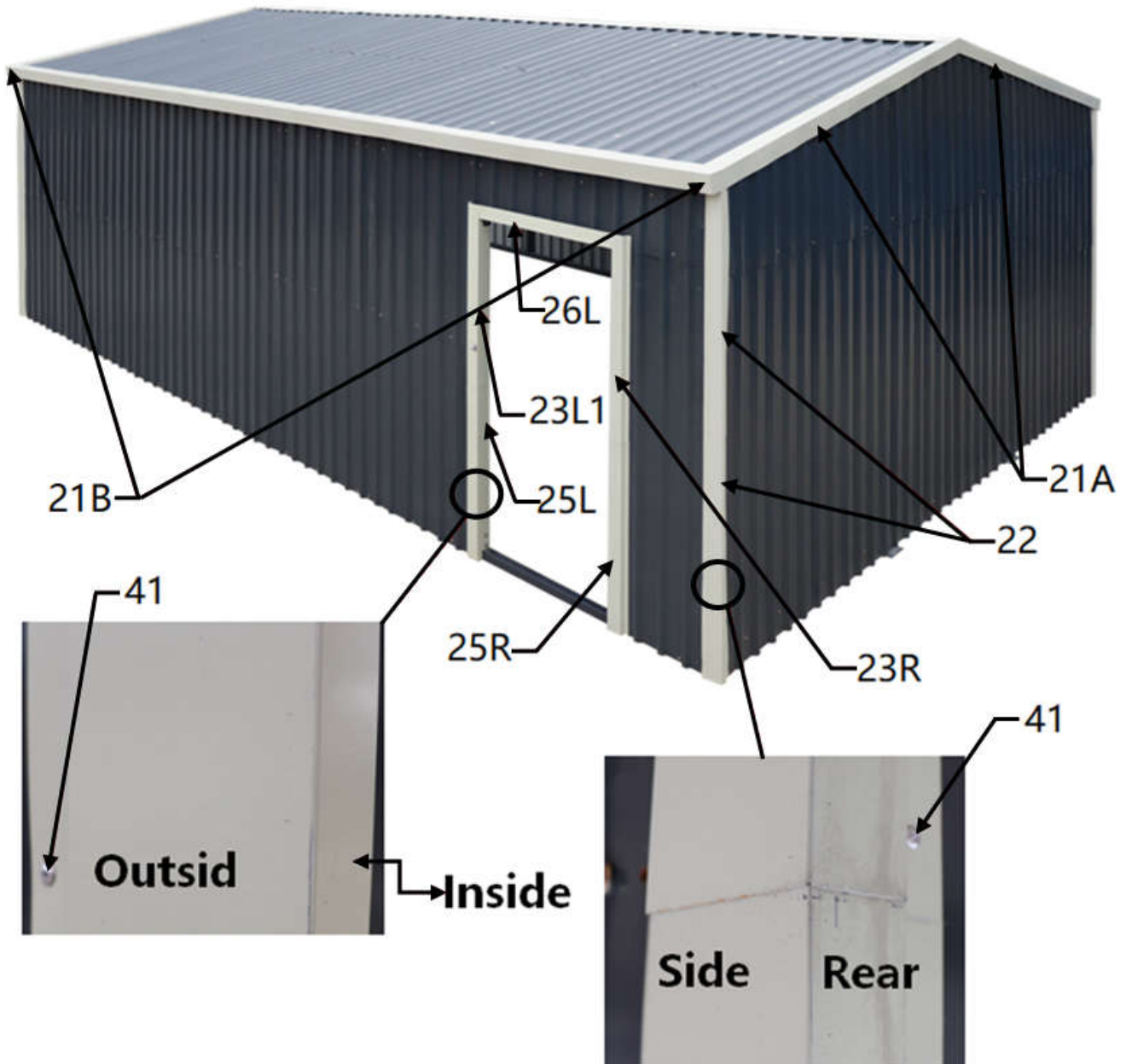
NO.	PART	QTY
15		18
39		108



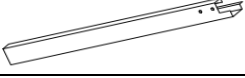

**STEP 13 : INSTALL THE EDGING.**

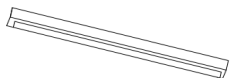

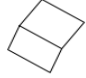


NO.	PART	QTY
21		7x2
22		2x4
23L		1
23R		1
24L		1
24R		1

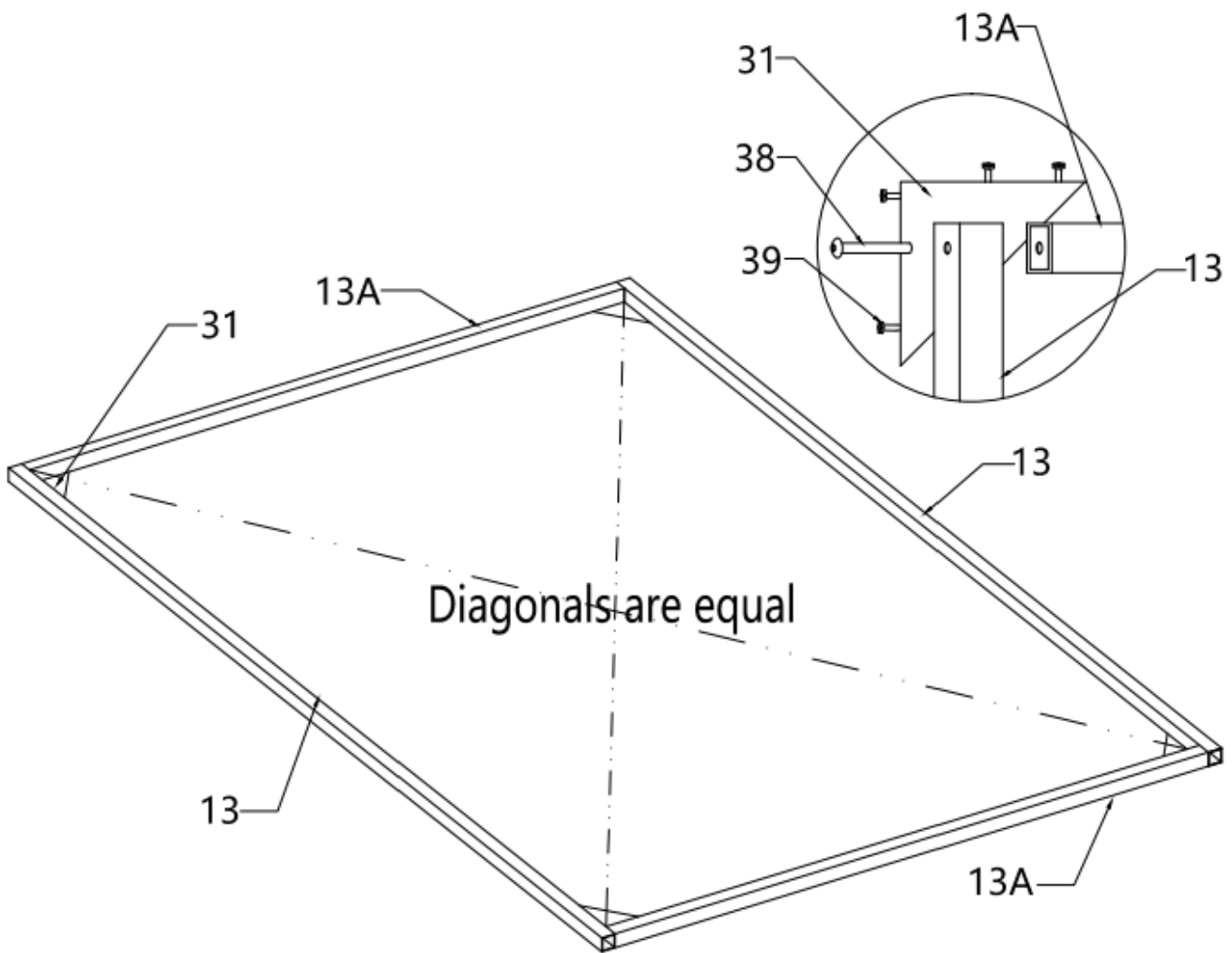
NO.	PART	QTY
26		1
26L		1
26R		1
41		216
21A		8

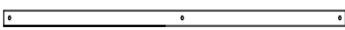
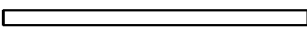
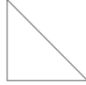




NO.	PART	QTY
23R		1
23L1		1
25L		1
25R		1

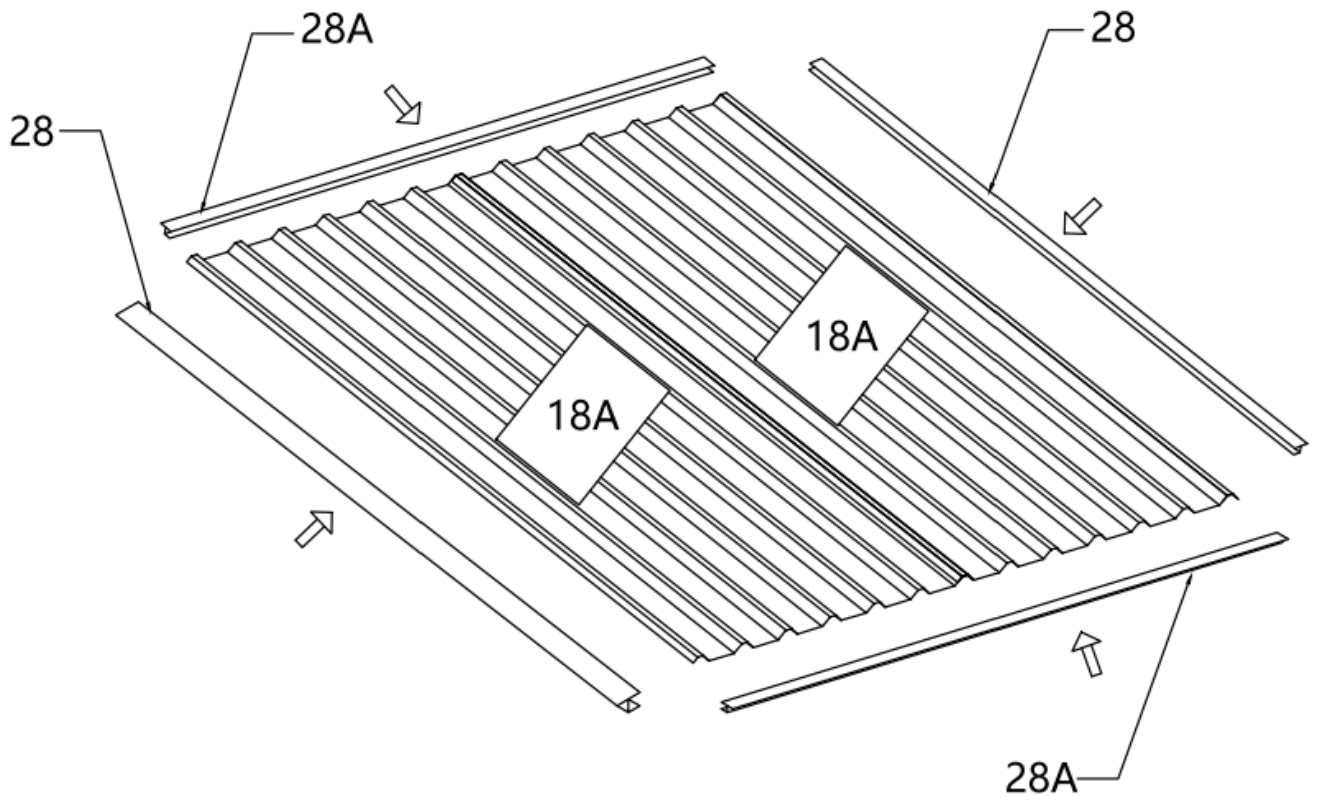
NO.	PART	QTY
27		1
41		40
21B		4

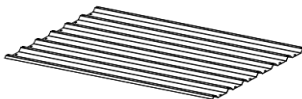


**STEP 14-1 : FRONT DOOR ASSEMBLY INSTALLATION.**



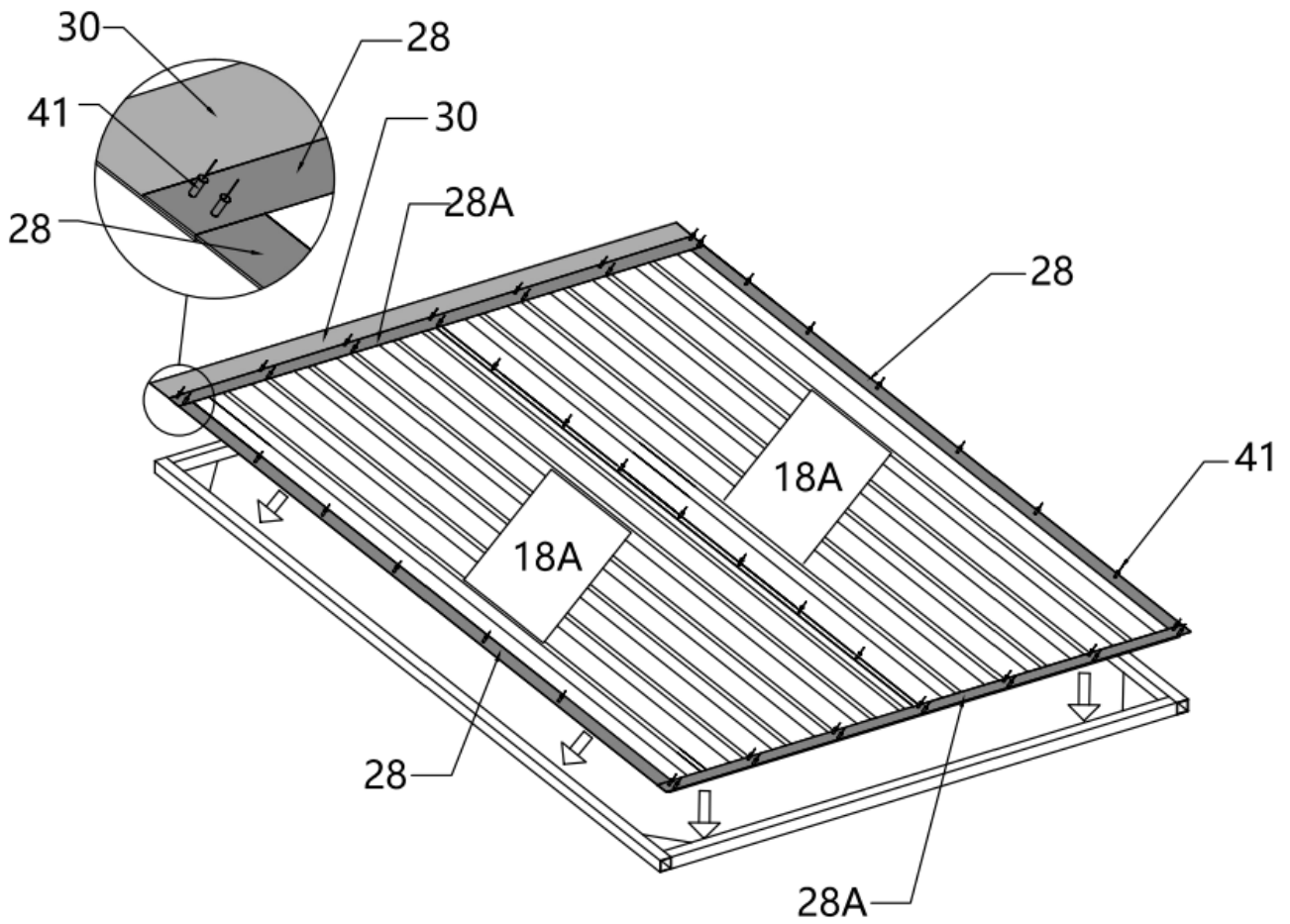
NO.	PART	QTY
13		2x2
13A		2x2
31		4x2
38		4x2
39		16x2



**STEP 14-2 : FRONT DOOR ASSEMBLY INSTALLATION.**



NO.	PART	QTY
18A		2x2
28		2x2
28A		2x2

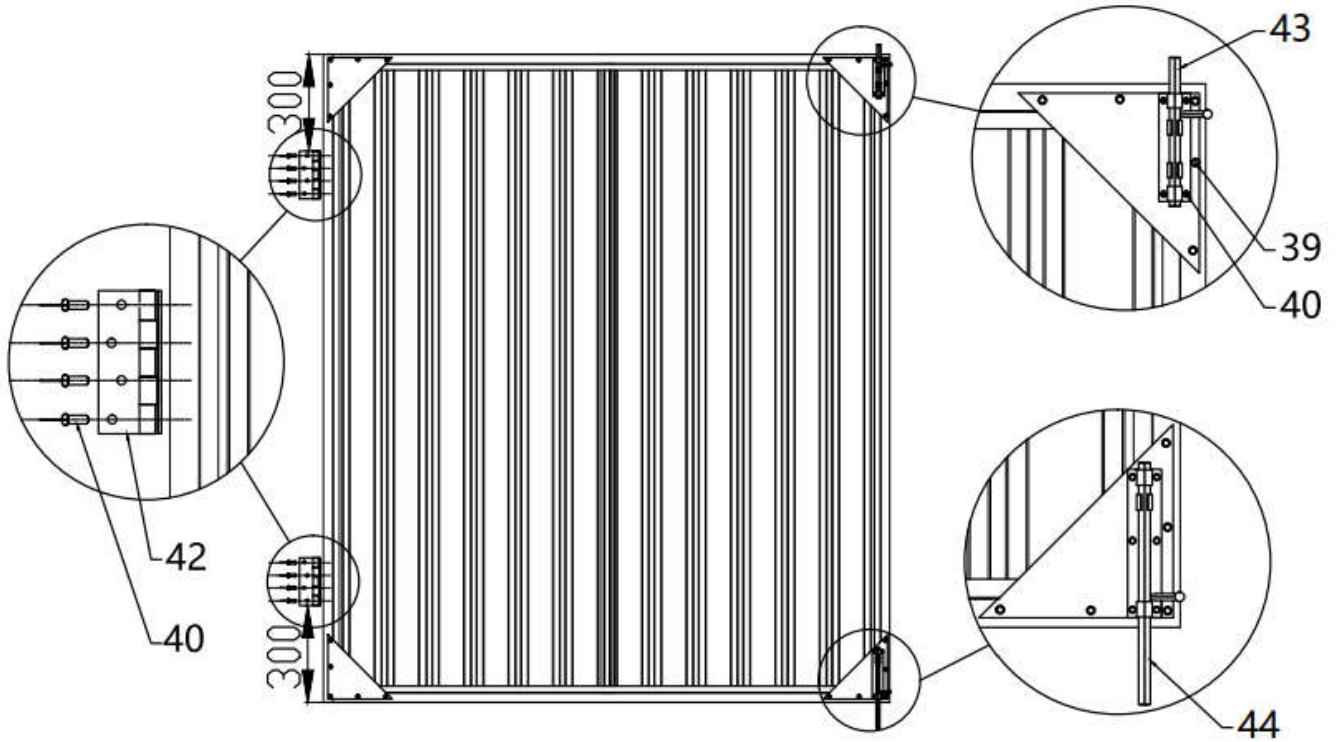
**STEP 14-3 : FRONT DOOR ASSEMBLY INSTALLATION.**



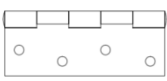




NO.	PART	QTY
30		1x2
41		46x2

**STEP 15 : INSTALL FRONT DOOR HINGES AND LATCHES.**

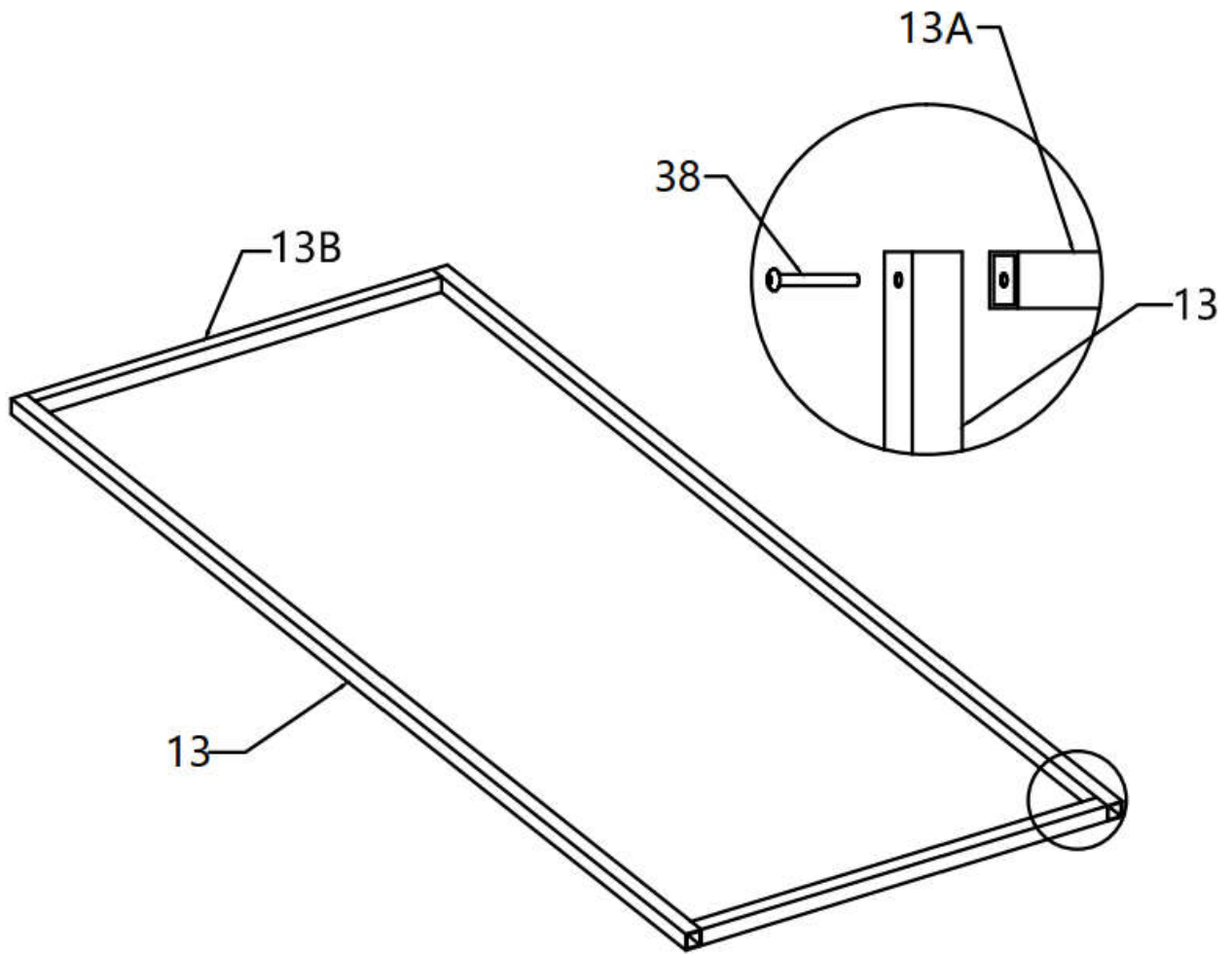
**(WHAT YOU SEE IS THE INSIDE)**


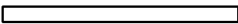



NO.	PART	QTY
39		20x2
40		8x2
42		2x2
43		1x2
44		1x2

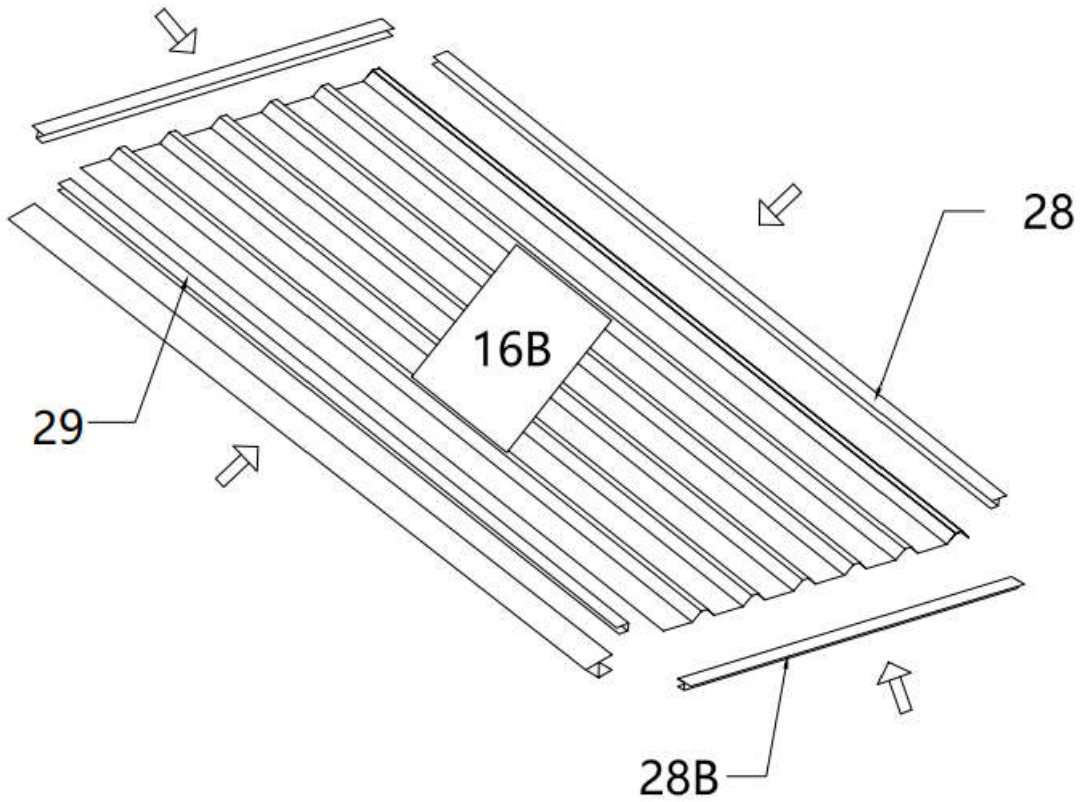






**STEP 16-1 : SIDE DOOR ASSEMBLY INSTALLATION.**



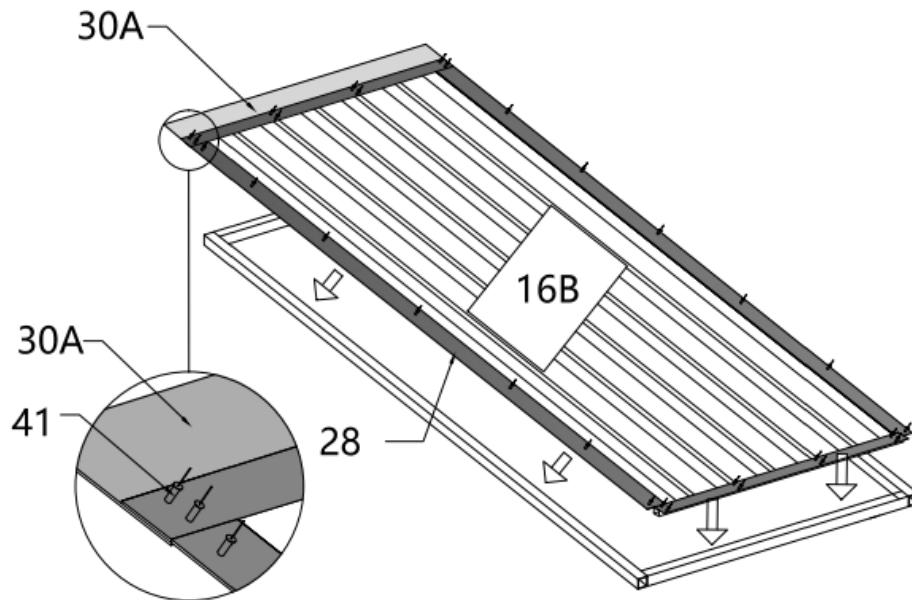
NO.	PART	QTY
13		2
13B		2
38		4



**STEP 16-2 : SIDE DOOR ASSEMBLY INSTALLATION.**



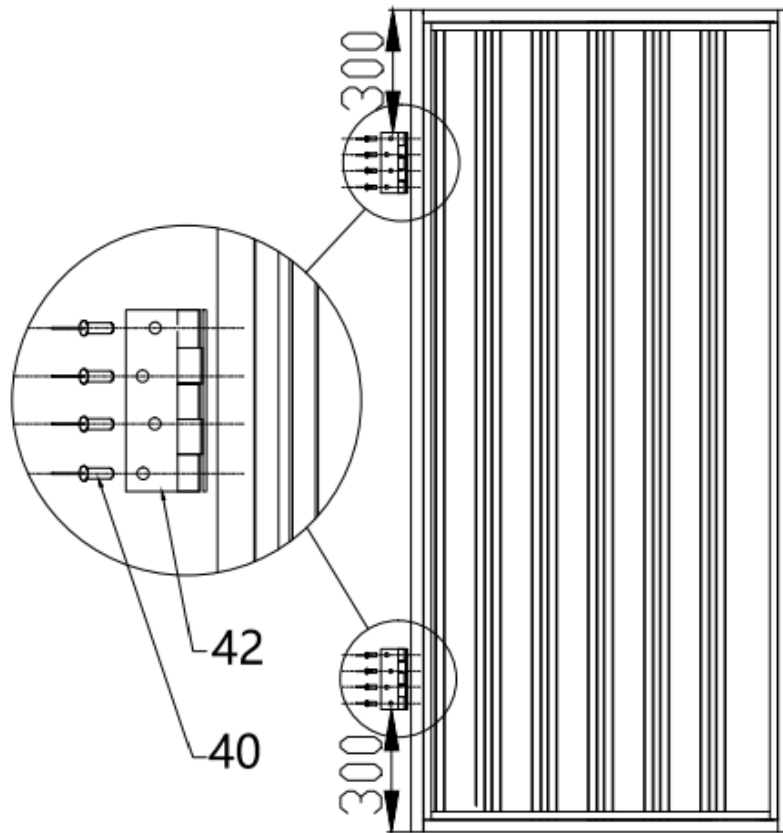
NO.	PART	QTY
16B		1
28		2
28B		2
29		1


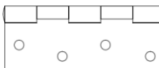
**STEP 16-3 : SIDE DOOR ASSEMBLY INSTALLATION.**



NO.	PART	QTY
30A		1
41		30

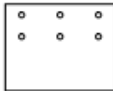

**STEP 17 : SIDE FRONT DOOR HINGES.**



NO.	PART	QTY
40		8
42		2

**STEP 18 : INSTALL FRONT AND REAR DOORS.**



NO.	PART	QTY
32		6
40		10x6

**STEP 19 : INSTALL REAR DOORS.**



40                      43                      32A

NO.	PART	QTY
32A		1
40		14
43		1
45		1

## **AFTER THE INSTALLATION**

Walk around and inspect the garage periodically to make sure all components are still firmly secured and the whole garage is well supported. Check all bolts and nuts as well as all connection points to make sure they are all in good position.

Snow accumulating on the fabric cover must be removed as soon as possible. If snow becomes solid ice on the cover, it will increase the weight on the roof and may collapse the garage or reduce the life span.

We strongly recommend you remove any snow from the roof immediately. Do not leave any snow load on the roof overnight. Keep 3 feet of clearance on all sides at all times. Do not allow snow to accumulate and pile up on the sides of the building. Otherwise the pressure from the sides will push inwards and could lead to a collapse.

### **WARRANTY INFORMATION:**

Please refer to our website for detailed warranty conditions and coverage.  
For the most up-to-date and comprehensive warranty information, visit [www.tmgindustrial.com](http://www.tmgindustrial.com)