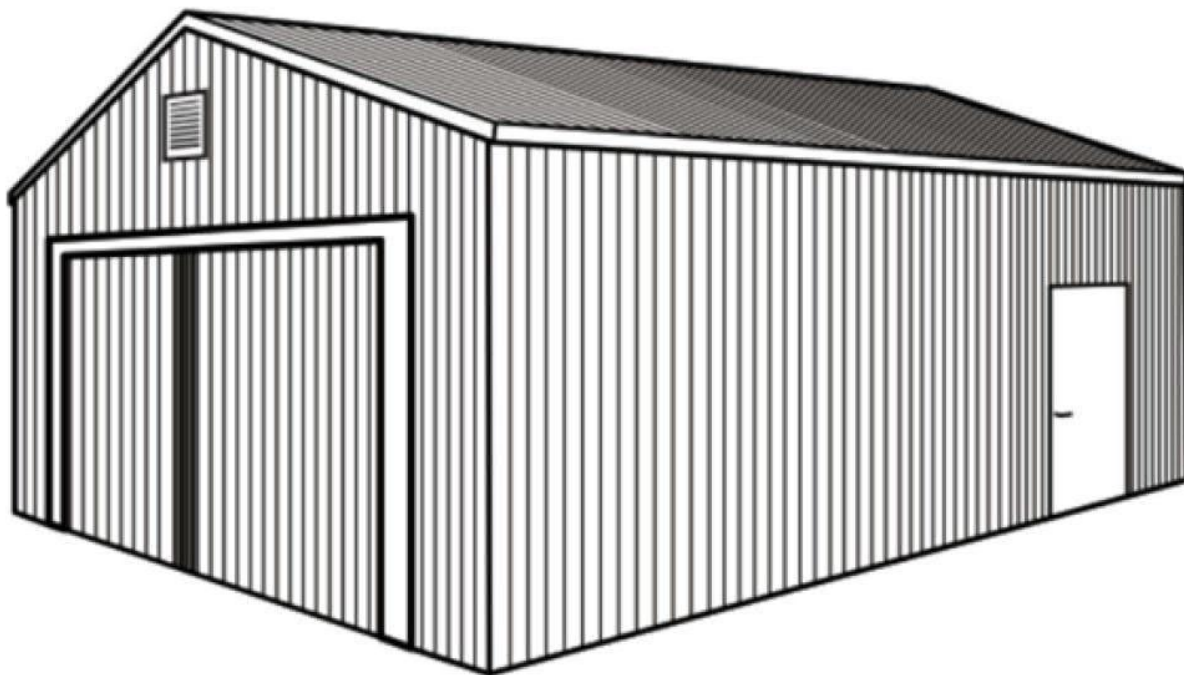
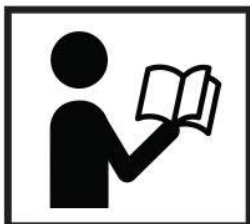


16 X 24 FT GARAGE METAL SHED WITH 12 FT SWING DOOR



⚠ WARNING



- Please read and understand the product manual completely before assembly
- Check against the parts list to make sure all parts are received
- Wear proper safety goggles or other protective gears while in assembly
- Do not return the product to dealer. They are not equipped to handle your requests.

Missing parts or have questions on assembly?

Please call: 1-877-761-2819 or email: cs@tmgindustrial.com

MAIN SPECIFICATIONS

- Overall assembled size : W4.88 x L7.5x H3.05 (m) / 16 x 24 x 10 (ft)
- Front door : W3.6 x H2.0 (m) / 11.8 x 6.56 (ft)
- Side door : W0.9 x H2.0 (m) / 2.95 x 5.56 (ft)

PRIOR TO ASSEMBLY

Please read the instructions carefully before installation. It is very important to follow your local safety regulations and industry standards during installation. Regulations may include but are not limited to:

- Safety helmets, protective eyewear, and clothing
- Safety harnesses for all elevated workers
- Proper ladder, cage, and safety operation

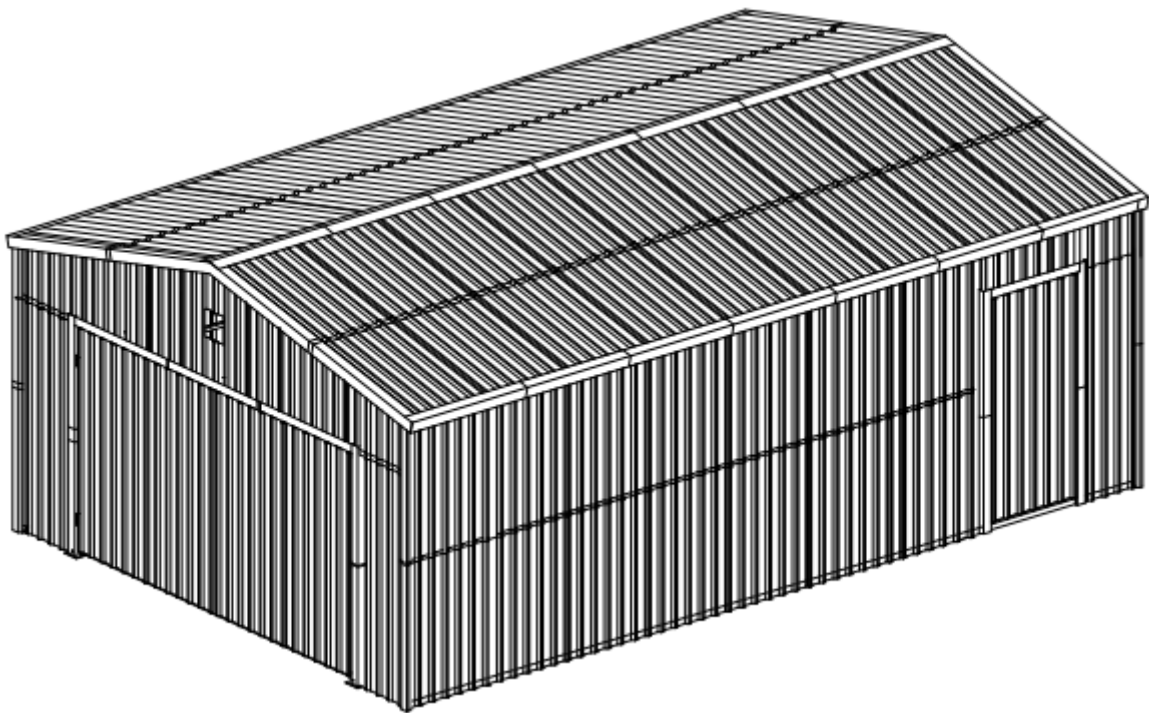
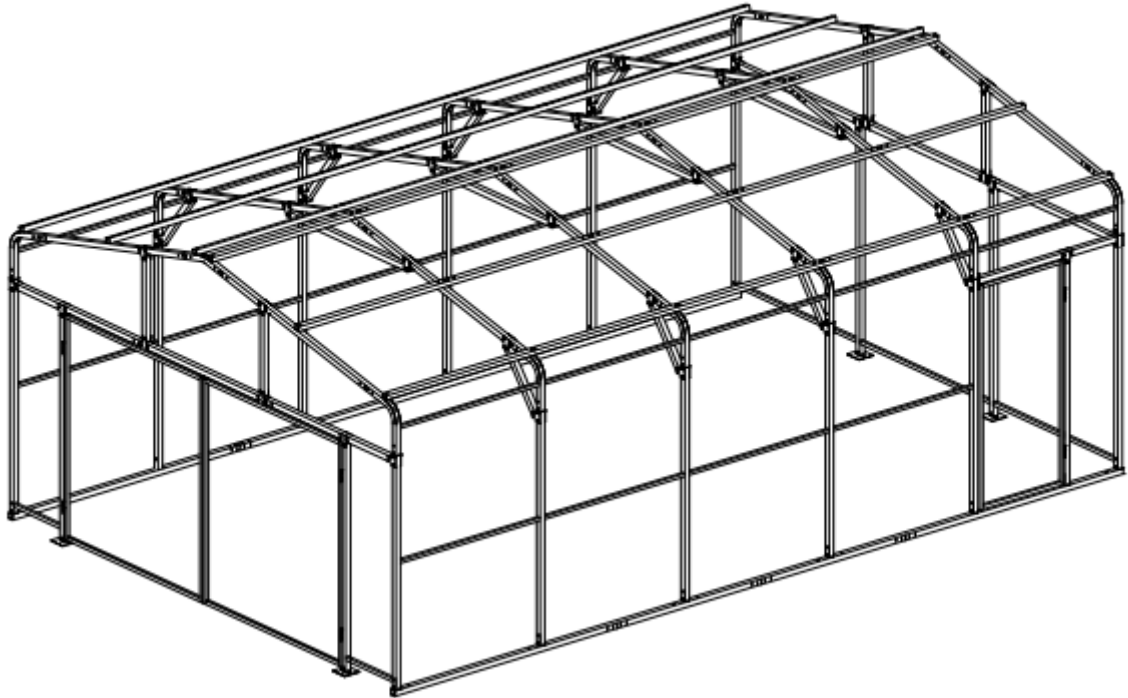
Check all components and parts before installation. All parts are marked with a part number, please refer to the parts list to make sure you have all parts.

Choose a day with low or no wind to install, assembly is hard in heavy wind. Do not make any alterations to the structure. Do not hang any weights on the frame during installation, including parts. We are not responsible for any damages or injuries caused by inappropriate installation, unauthorized modifications or extreme weather.





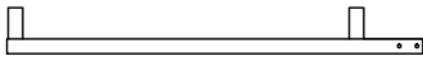
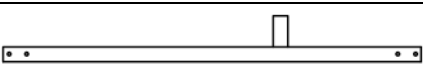
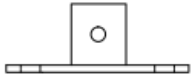




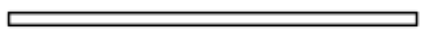


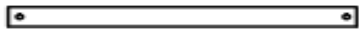
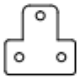

This building is not intended for human occupancy.




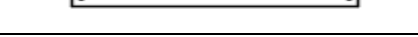
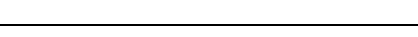
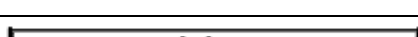
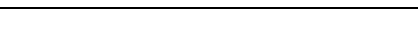
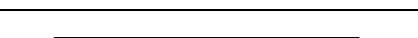












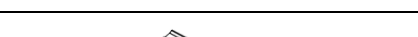
Read the following item list carefully and count the number of items to ensure that all parts are included prior to setup.

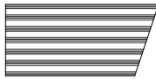

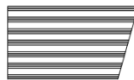




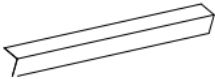

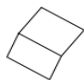




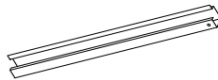


FRAME STRUCTURE DIAGRAM.


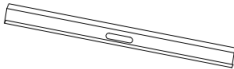










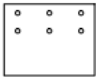


















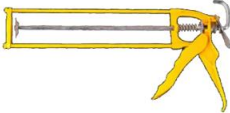
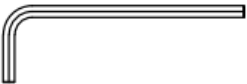



TMG-MS1624 Part List

PARTS CODE	GRAPHICAL	DESCRIPTION	LENGTH	QTY
1		Peak arch tube	483mm	6
2		Middle rafter tube	1895mm	12
3		Shoulder tube	644mm	12
4		Sidewall tube	2033mm	12
4A		Long casing	200mm	46
5		Foot tube (front and rear)	1890mm	3
5A		Foot tube (side door)	1890mm	1
5B		Foot tube (middle)	1890mm	4
5C		Base plate	150x150mm	4
6		Top cross bar	1500mm	24
6A		Top cross bar A	1550mm	6
6B		Short casing	100mm	24
6C		Side cross bar	1448mm	19
6D		Front cross bar	588mm	2
6E		Rear cross bar	1538mm	2
6F		Rear cross bar F	1648mm	1
6G		Corner code	30x40mm	48
7		Ceiling cross bar (top)	1540mm	4
7A		Reinforcing tube (both sides)	655mm	8
7B		Reinforced tube mounting plate	100x100mm	82
8		Cross tube (front door both sides)	1600mm	2

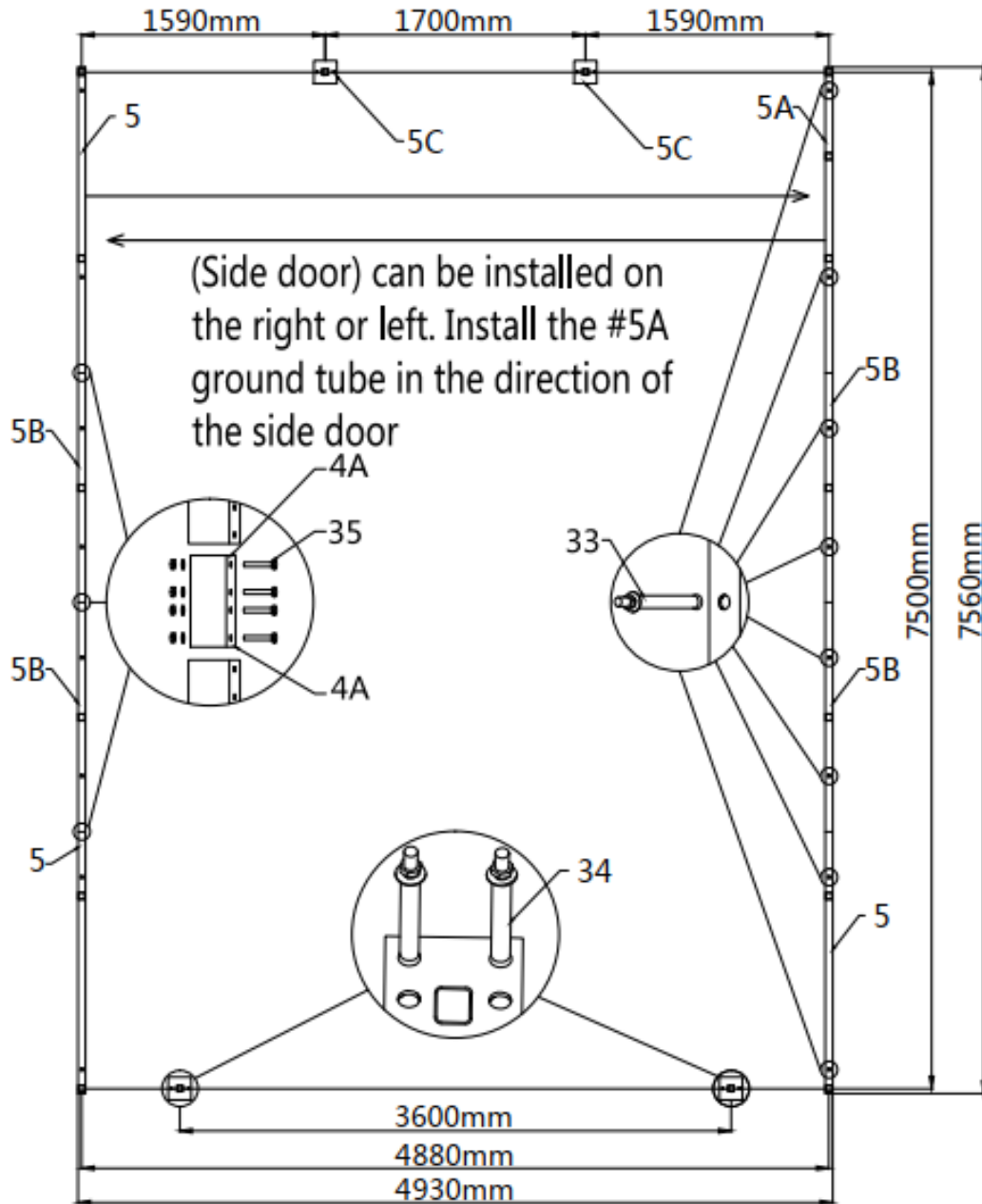
8A		Cross tube (front door middle)	1600mm	1
8B		Cross tube (rear both sides)	1600mm	2
8C		Cross tube (rear middle)	1600mm	1
9		Support tube (front and rear)	805mm	4
10		Vertical tube (front and rear)	1982mm	4
11		Vertical tube (side door)	1965mm	1
12		Cross tube (side door)	1448mm	1
13		Door frame column tube	1956mm	6
13A		Door horizontal tube (front door)	1700mm	4
13B		Door horizontal tube (side door)	810mm	2
14		Metal sheet (top)	870x1400mm	36
15		Metal sheet (both sides)	870x1290mm	32
15A		Metal sheet (both sides)	276x1290mm	2
16		Metal sheet (side door top)	870x490mm	2
16A		Metal sheet (side door right)	613x2080mm	1
16B		Metal sheet (side door)	800x1880mm	1
17		Metal sheet (front window)	870x1100mm	1
17A		Metal sheet (rear middle)	870x1100mm	1
17L		Metal sheet (L)	435x1000mm	2
17R		Metal sheet (R)	435x1000mm	2
17L1		Metal sheet (L1)	870x927mm	2

17R1		Metal sheet (R1)	870x927mm	2
17L2		Metal sheet (L2)	870x728mm	2
17R2		Metal sheet (R2)	870x728mm	2
18		Metal sheet (front door both sides)	680x2060mm	2
18A		Metal sheet (front door)	870x1880mm	4
19		Metal sheet (rear)	870x2100mm	6
20		Edge protector (top)	1200mm	7
21		Edge protector (both sides)	1200mm	14
21A		Edge protector (front and rear)	1350mm	8
21B		Edge protector (front and rear)	100mm	4
22		Edge protector (corner)	1290mm	8
23R		Edge protector (front and side share)	1050mm	2
23L		Edge protector (front door L)	1050mm	1
23L1		Edge protector (side door L1)	1050mm	1
24L		Edge protector (front door L)	1100mm	1
24R		Edge protector (front door R)	1100mm	1
25L		Edge protector (side door L)	1100mm	1

25R		Edge protector (side door R)	1100mm	1
26		Edge protector (front)	1200mm	1
26L		Edge protector (front)	1200mm	1
26R		Edge protector (front)	1200mm	1
27		Edge protector (side)	898mm	1
28		Edge protector (front and side share)	1890mm	6
28A		Edge protector (front door)	1688mm	4
28B		Edge protector (side door)	808mm	2
29		Edge protector (side door)	1890mm	1
30		Baffle (front door)	100x1760mm	2
30A		Baffle (side door)	100x870mm	1
31		Fixed plate (door)	200x200mm	8
32		Fixed plate (loose-leaf)	80x100mm	6
32A		Fixed plate (side door)	50x130mm	1
33		Expansion bolt	φ16x150mm	16
34		Expansion bolt	φ14x100mm	8
35		Hex bolt and nuts	M10x70mm	289
36		Self locking bolt M10x100mm and nuts	M10x100mm	36
37		Self locking bolt M10x50mm and nuts	M10x50mm	24

38		Half round head bolt	M6x50mm	12
39		Self tapping screw	#12x25mm	858
40		Blind rivet	φ5x16mm	98
41		Blind rivet	φ3.2x10mm	458
42		Loose-leaf	80mm	6
43		Door lock handle	φ12x6"	3
44		Ground lock	φ12x12"	2
45		Lock		1
46		Shutters	300x300	1
47		Waterproof silicon sealant		1
47A		Teroson statu		1
48		Inside hexagonal wrench	4mm	1
50		Bushing	8mm	2
51		Drill	φ3.5	2
52		Drill	φ5.2	1

STEP 1 : FOOT TUBE AND BASE PLATE INSTALLATION.

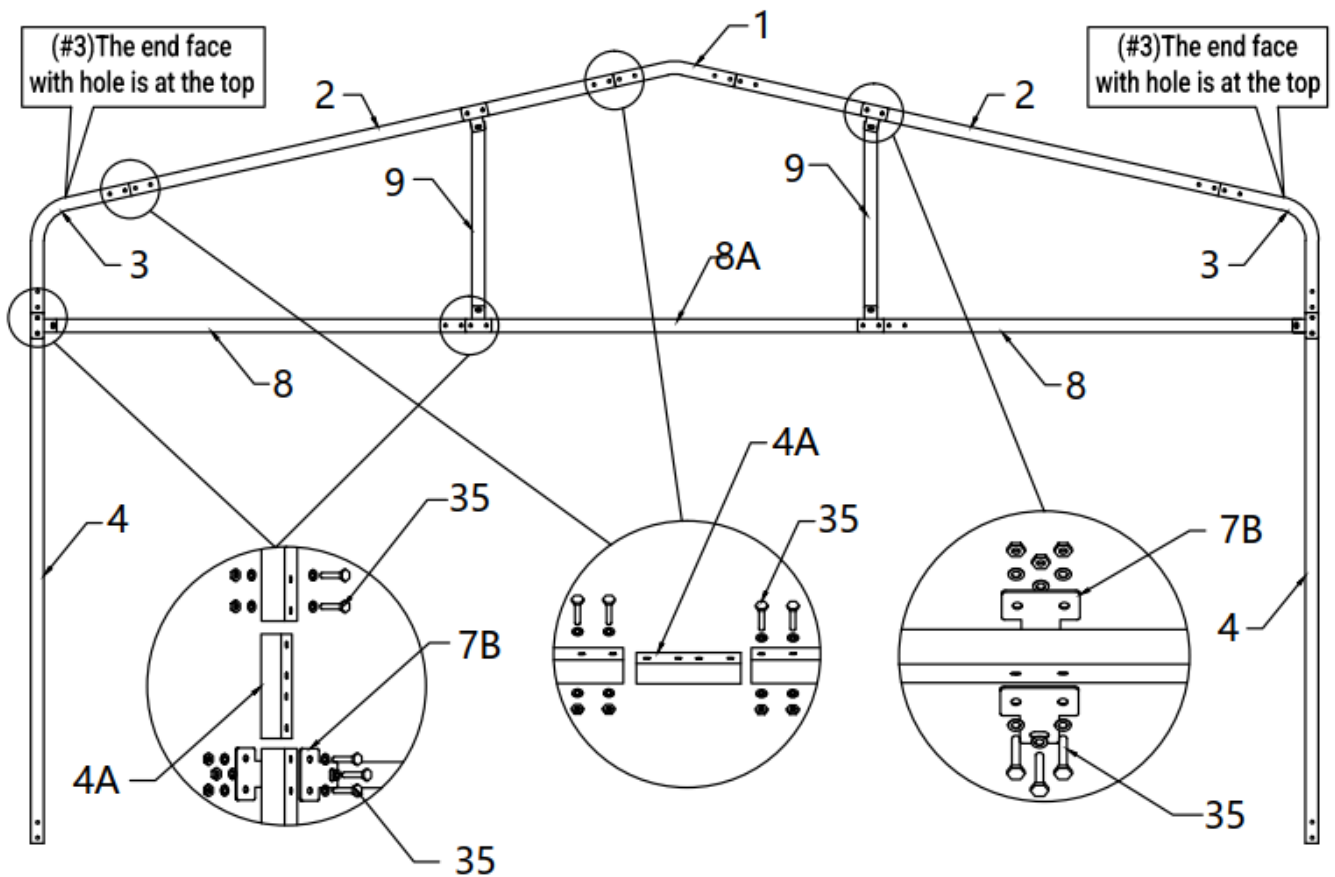


PARTS CODE	GRAPHICAL	QTY
4A		6
5		3
5A		1
5B		4

5C		4
33		16
34		8
35		24

STEP 2 : FRONT AND REAR TRUSS INSTALLATION.

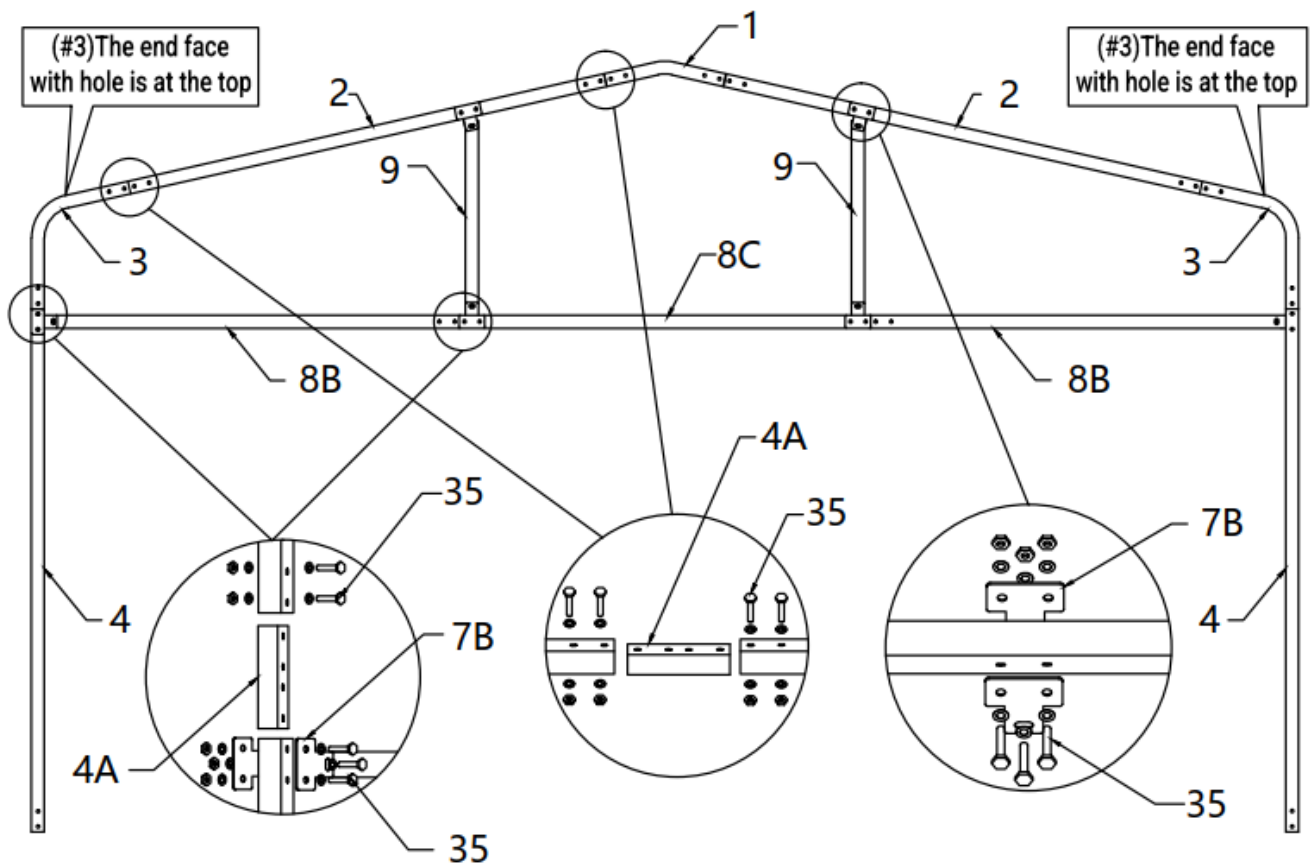
INSTALL THE FRONT TRUSS INSTALLATION.



PARTS CODE	GRAPHICAL	QTY
1		1
2		2
3		2
4		2
4A		8

7B		12
8		2
8A		1
9		2
35		42

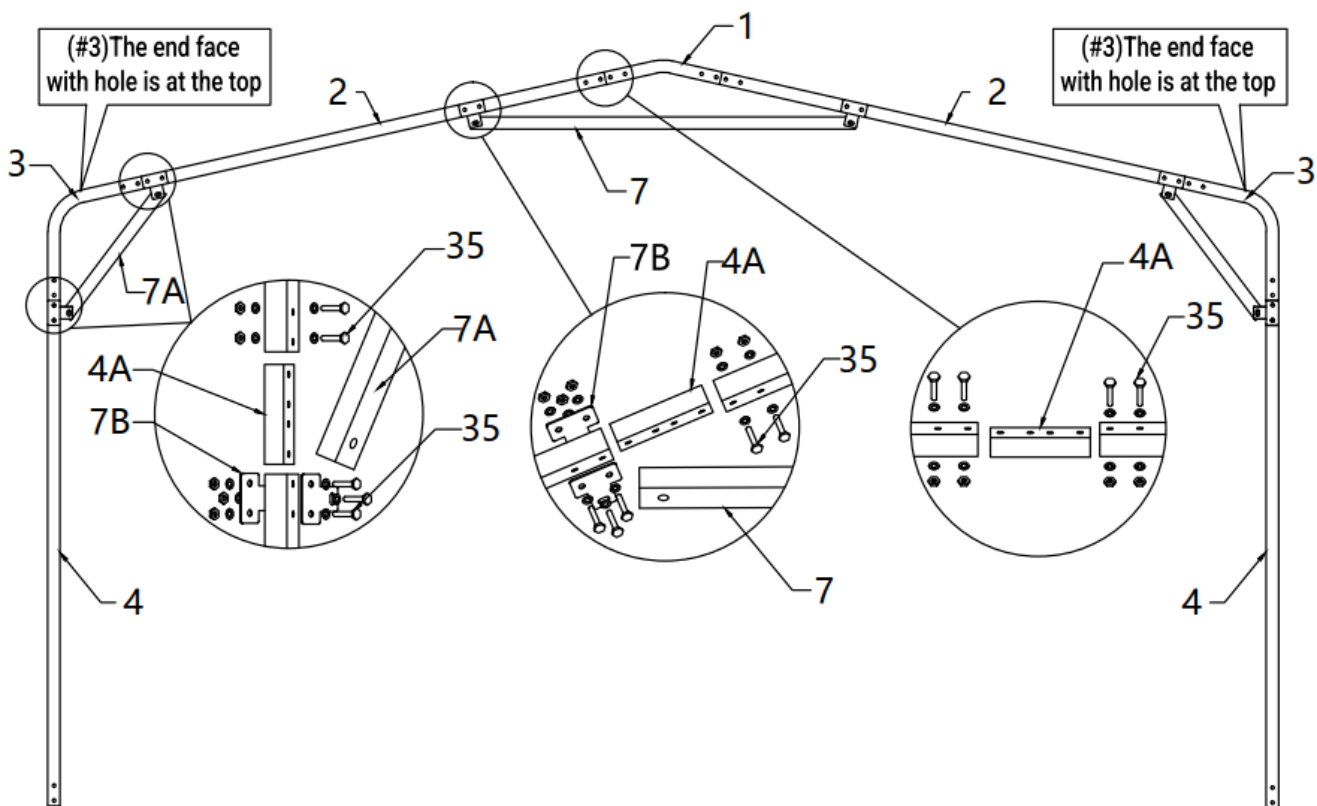
INSTALL THE REAR TRUSS INSTALLATION.



PARTS CODE	GRAPHICAL	QTY
1		1
2		2
3		2
4		2
4A		8

7B		12
8B		2
8C		1
9		2
35		42

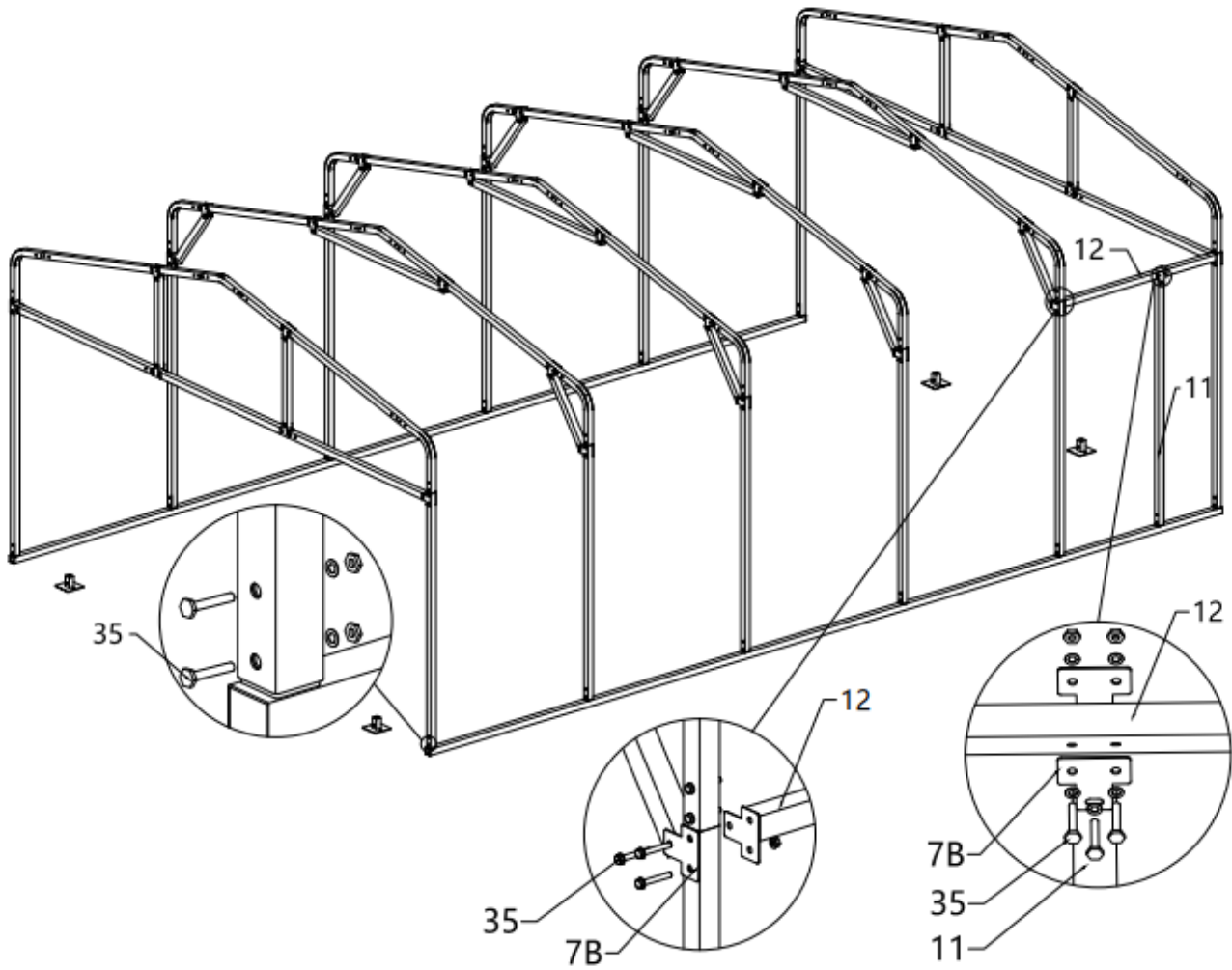
STEP 3 : MIDDLE TRUSS INSTALLATION.



PARTS CODE	GRAPHICAL	QTY
1		1x4
2		2x4
3		2x4
4		2x4
4A		8x4

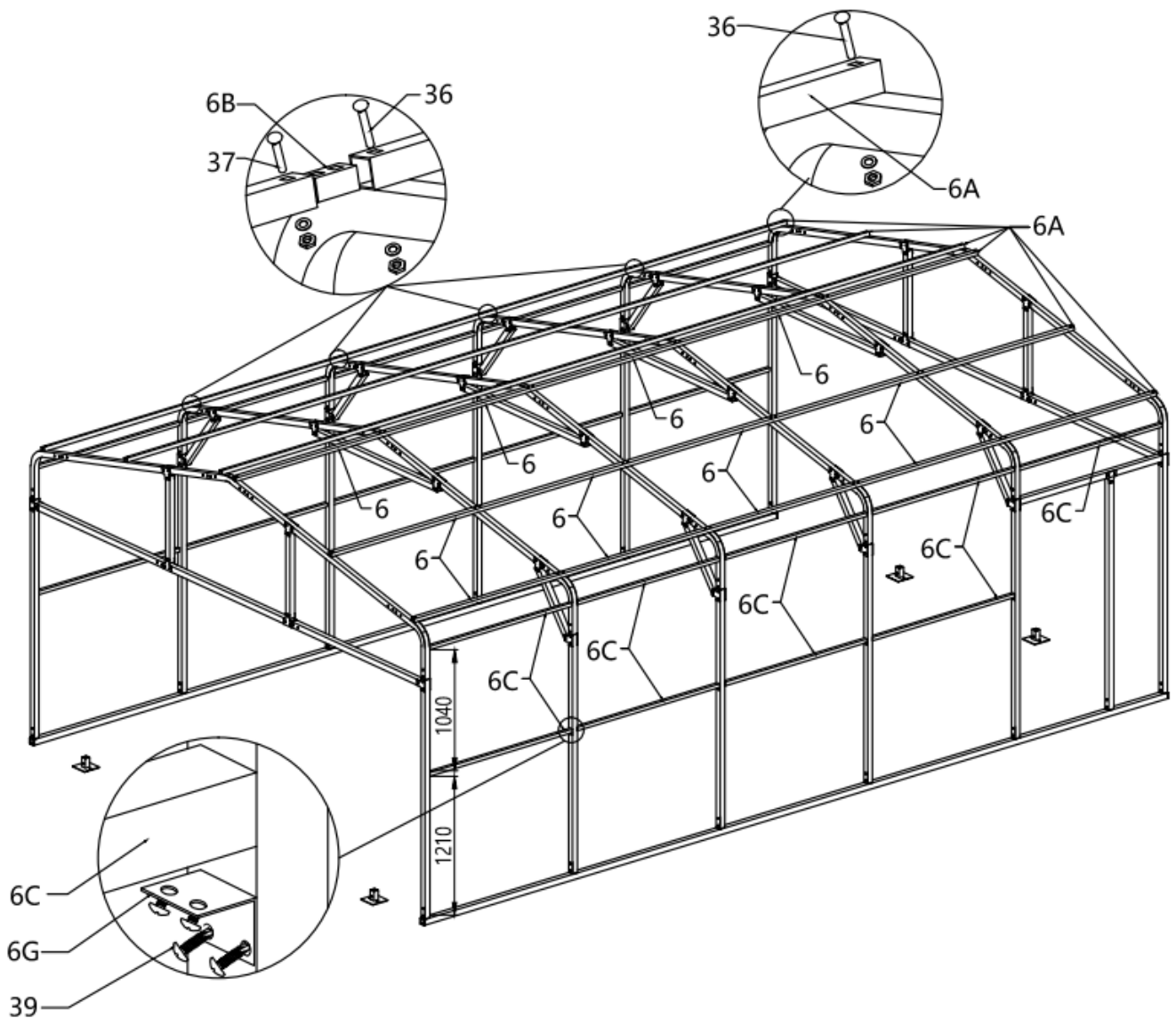
7		1x4
7A		2x4
7B		12x4
35		34x4

STEP 4 : TRUSS FIXED AND CROSS TUBE INSTALLATION.



PARTS CODE	GRAPHICAL	QTY
7B		2
11		1
12		1
35		29

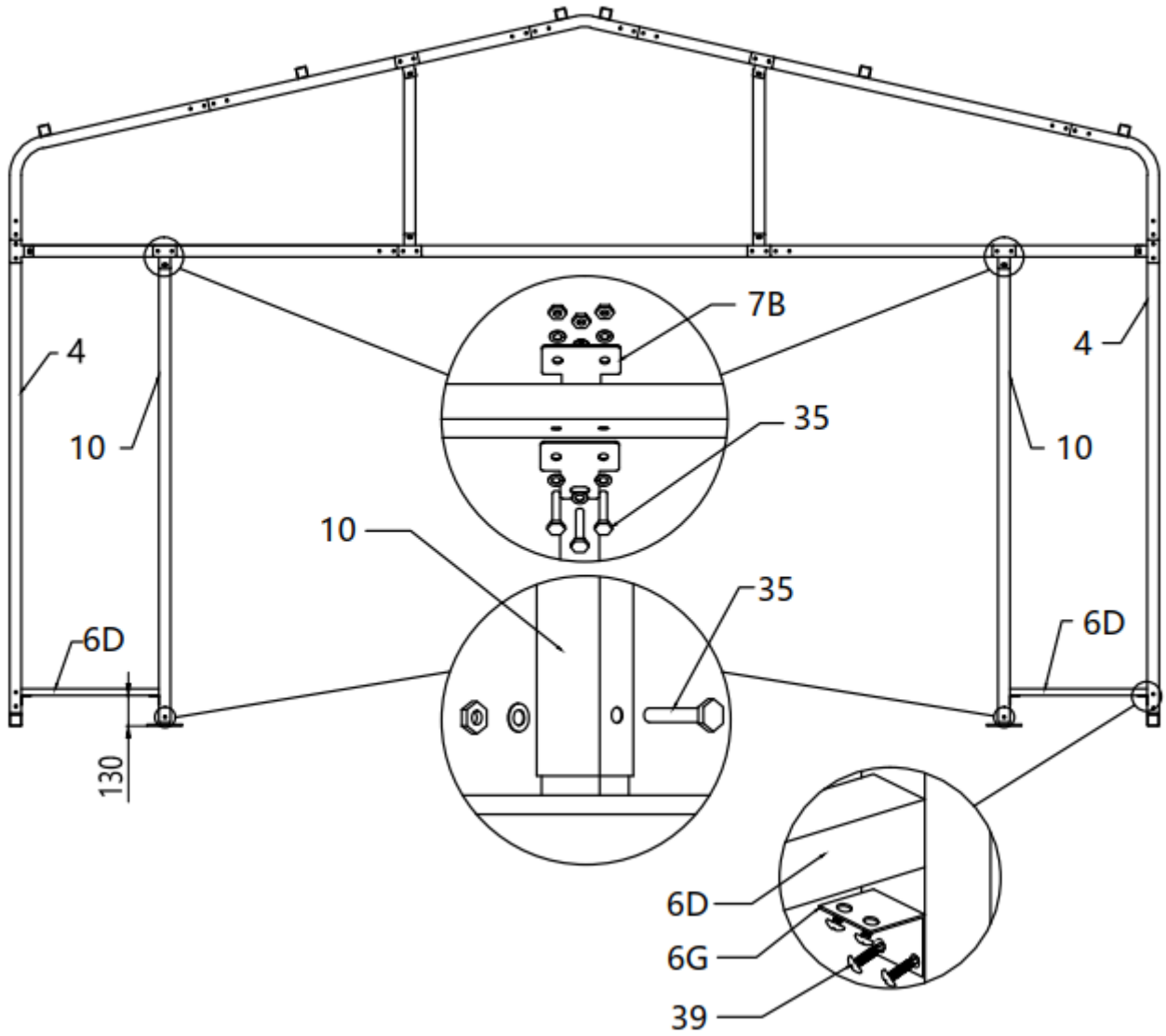
STEP 5 : TOP CROSS BAR AND SIDE CROSS BAR INSTALLATION.



PARTS CODE	GRAPHICAL	QTY
6		24
6A		6
6B		24
6C		19

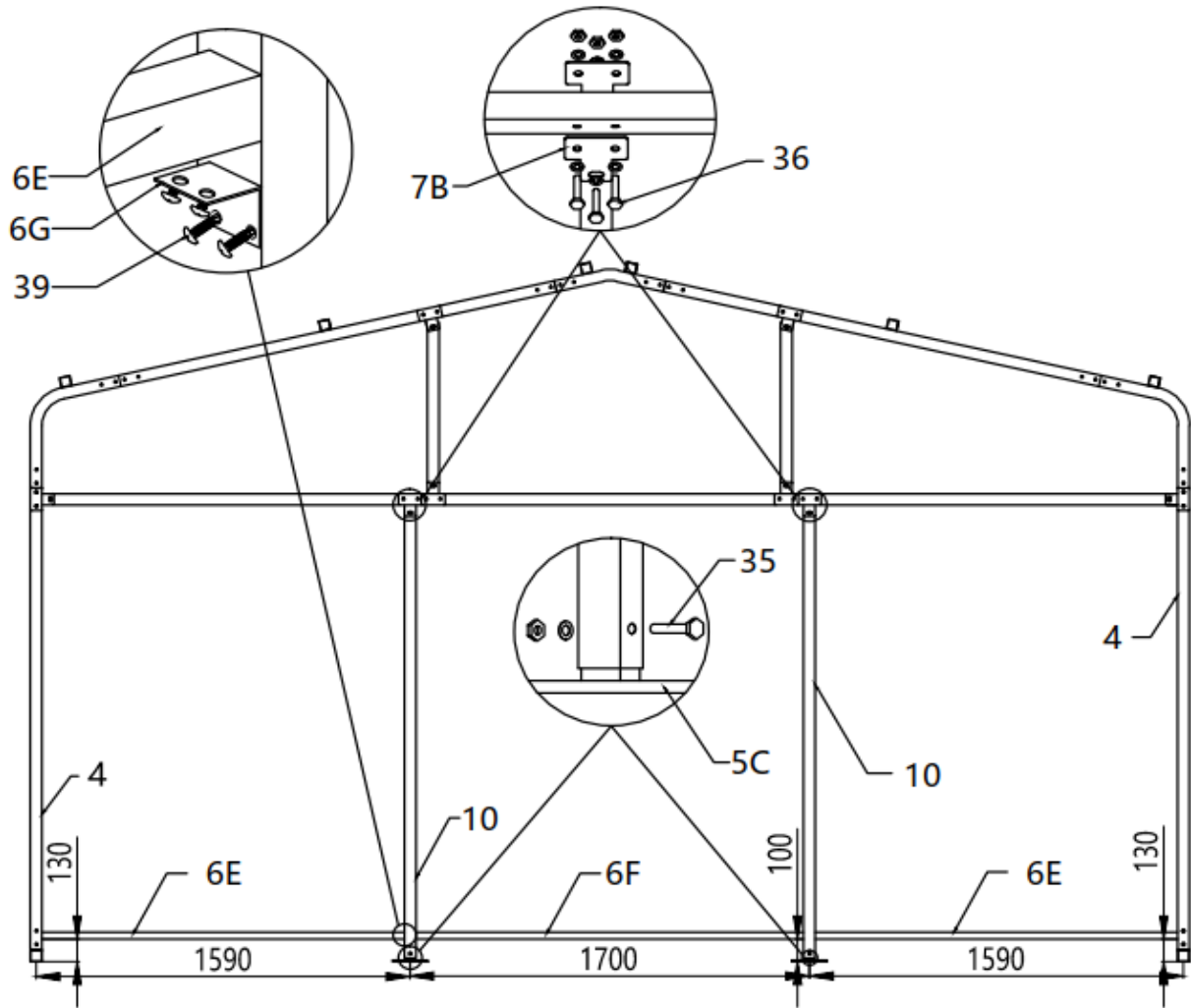
6G		38
36		36
37		24
39		152








STEP 6 : FRONT DOOR INST ALLATIO.



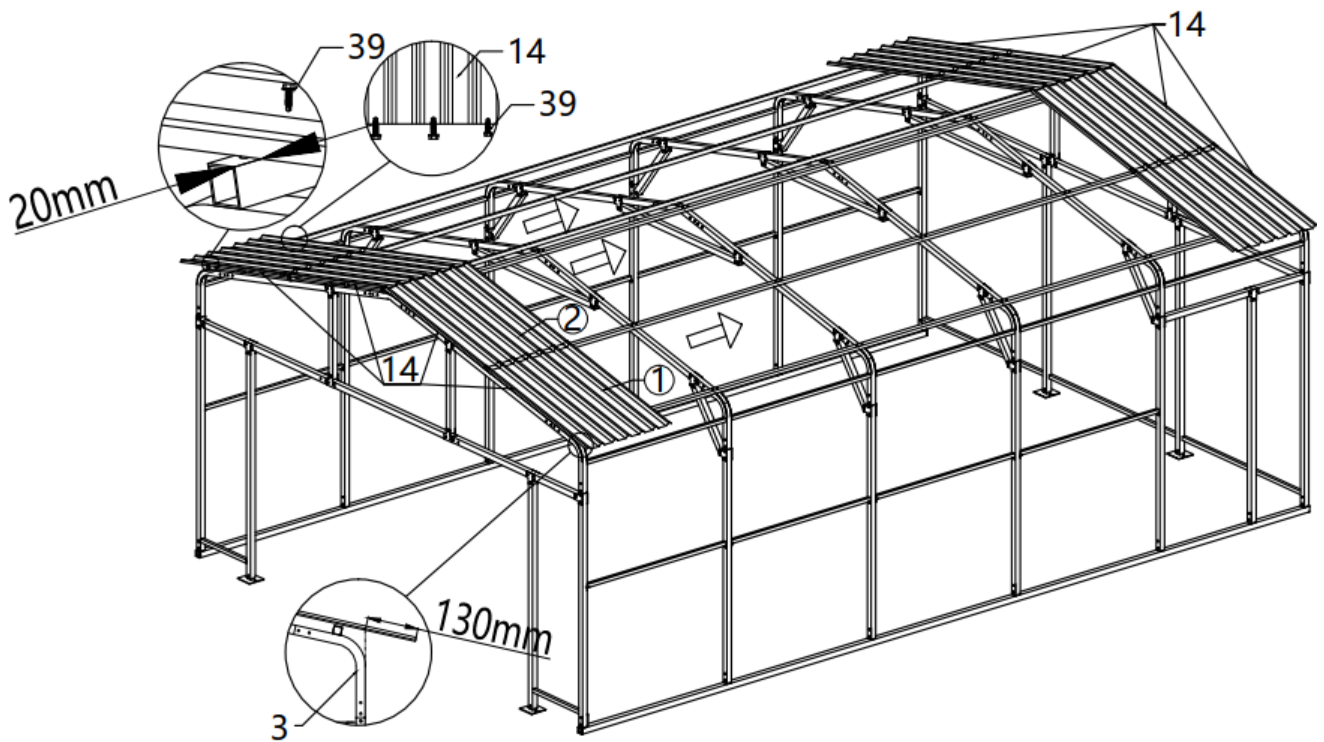
PARTS CODE	GRAPHICAL	QTY
6D		2
6G		4
7B		4
10		2
35		8
39		16

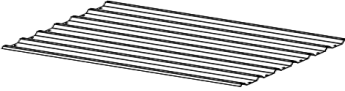

STEP 7 : FRONT DOOR INSTALLATION.



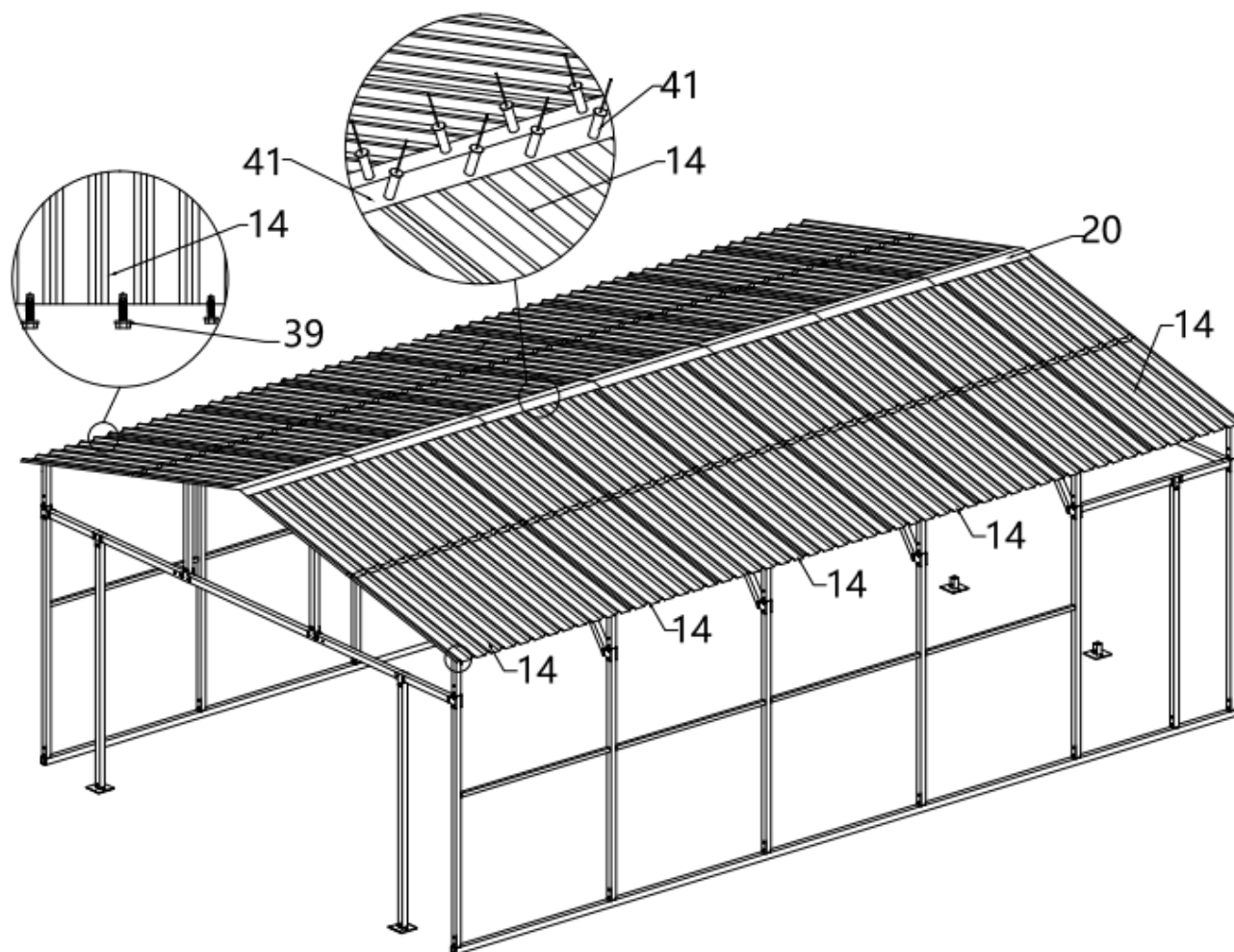
PARTS CODE	GRAPHICAL	QTY
6E		2
6F		1
6G		6
7B		4
10		2
35		8
39		24



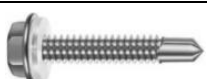

STEP 8 : INSTALL THE COLOR IRON TILE.



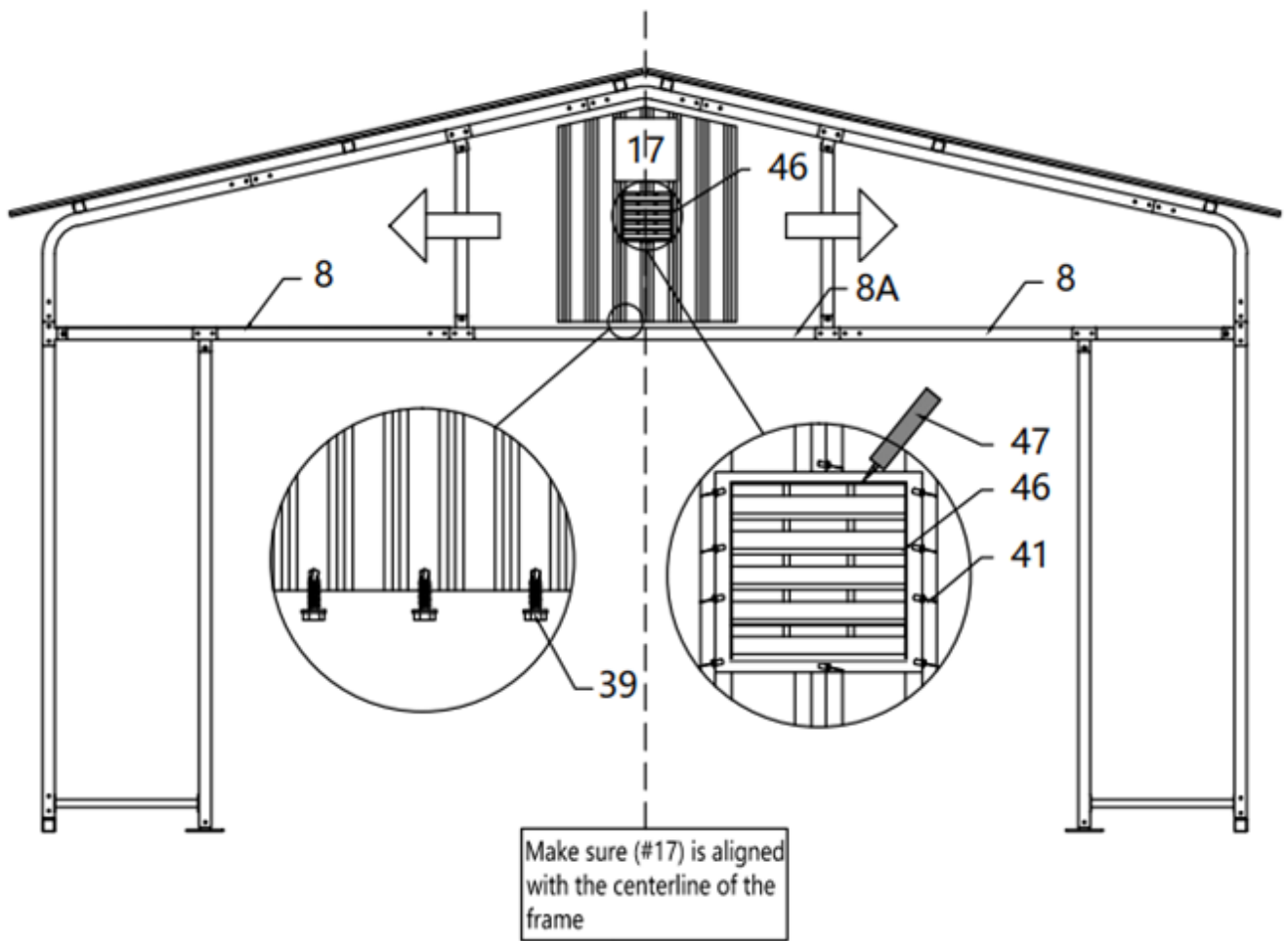
PARTS CODE	GRAPHICAL	QTY
14		8
39		48

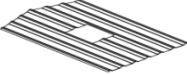




AFTER SETTING THE POSITION, YOU CAN COMPLETE THE REMAINING COLORED STEEL TILES.



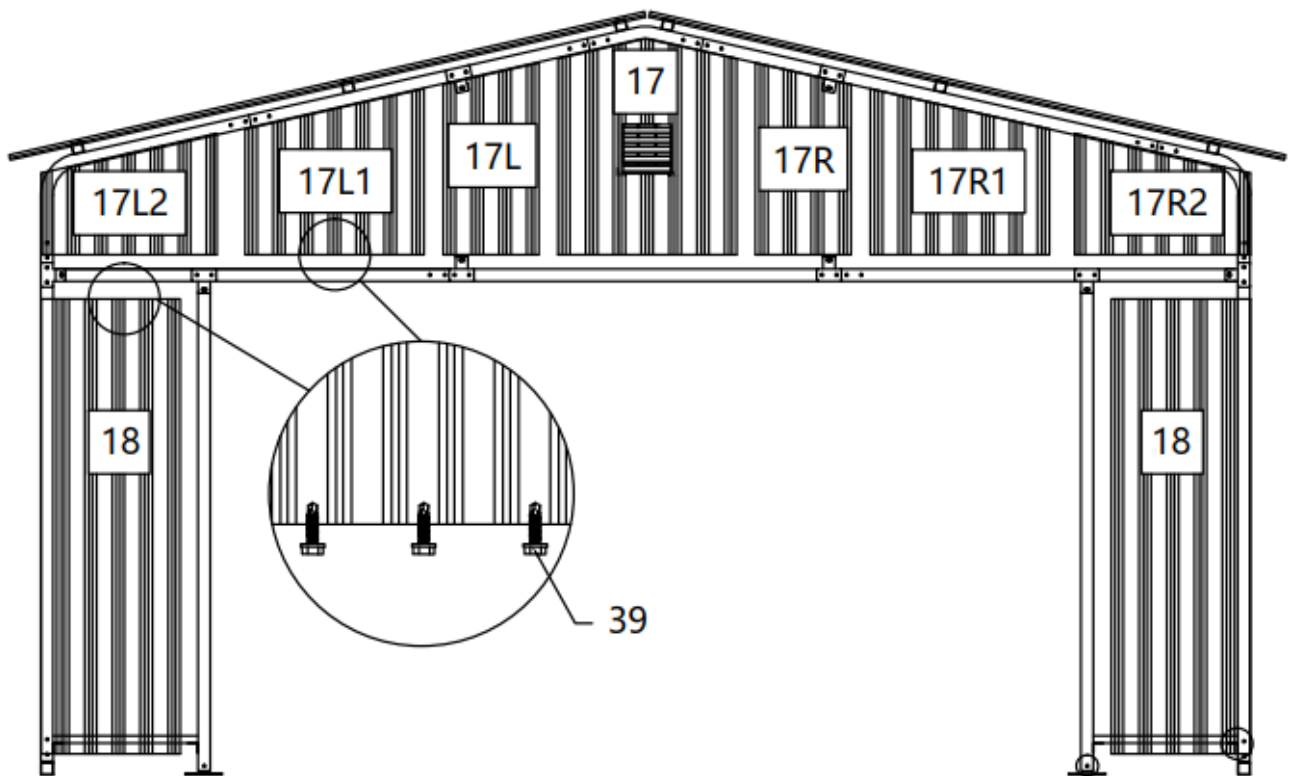
PARTS CODE	GRAPHICAL	QTY
14		28
20		7
39		168
41		70

STEP 9 : INSTALL THE COLOR STEEL TILE OF THE FRONT DOOR.



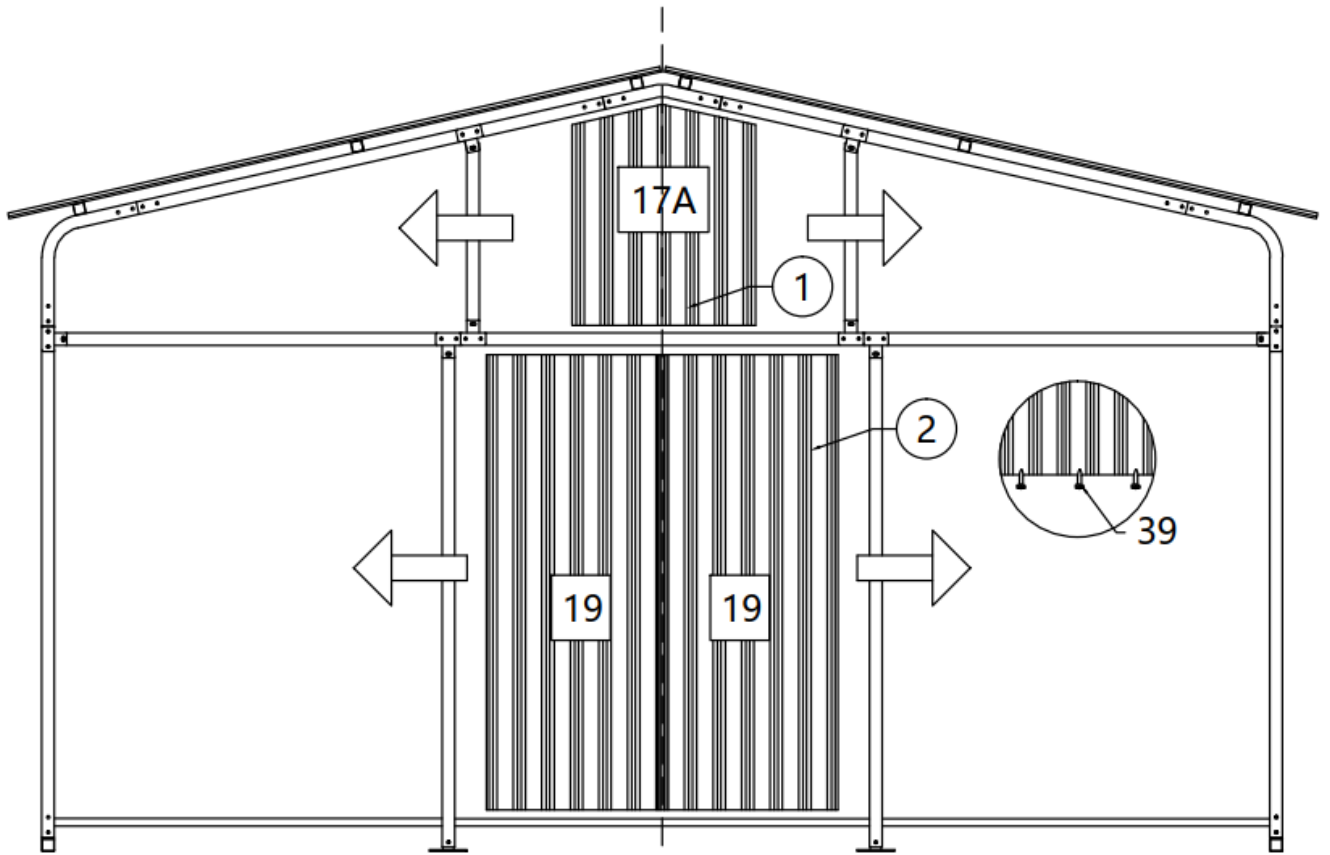
PARTS CODE	GRAPHICAL	QTY
17		1
39		8
41		10
46		1
47		1

AFTER SETTING THE POSITION, YOU CAN COMPLETE THE REMAINING COLORED STEEL TILES.

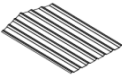
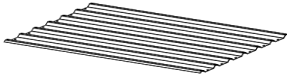



PARTS CODE	GRAPHICAL	QTY
17L		1
17R		1
17L1		1
17R1		1
17L2		1
17R2		1
18		2
39		56

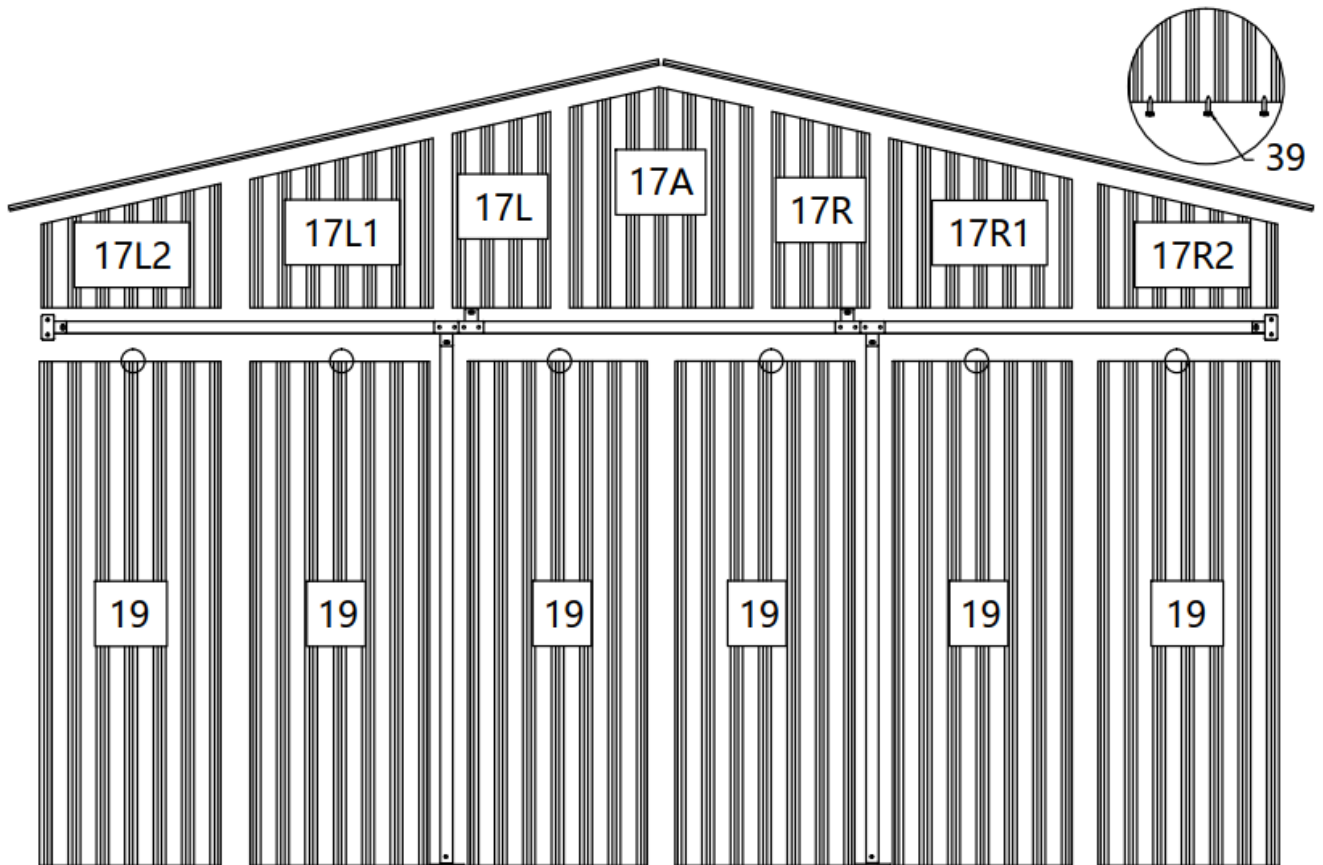
STEP 10 : INSTALL REAR GEAR COLOR STEEL TILE.



Make sure (#17) is aligned with the centerline of the frame

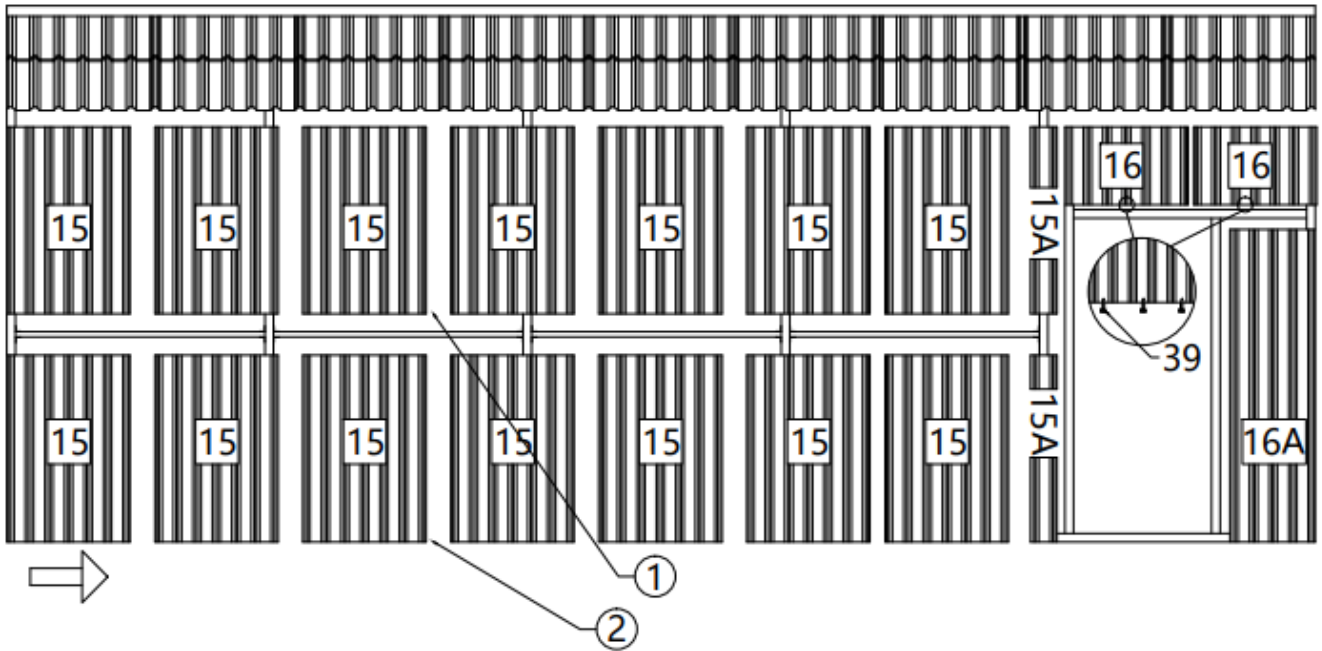
PARTS CODE	GRAPHICAL	QTY
17A		1
19		2
39		24

AFTER SETTING THE POSITION, YOU CAN COMPLETE THE REMAINING COLORED STEEL TILES.



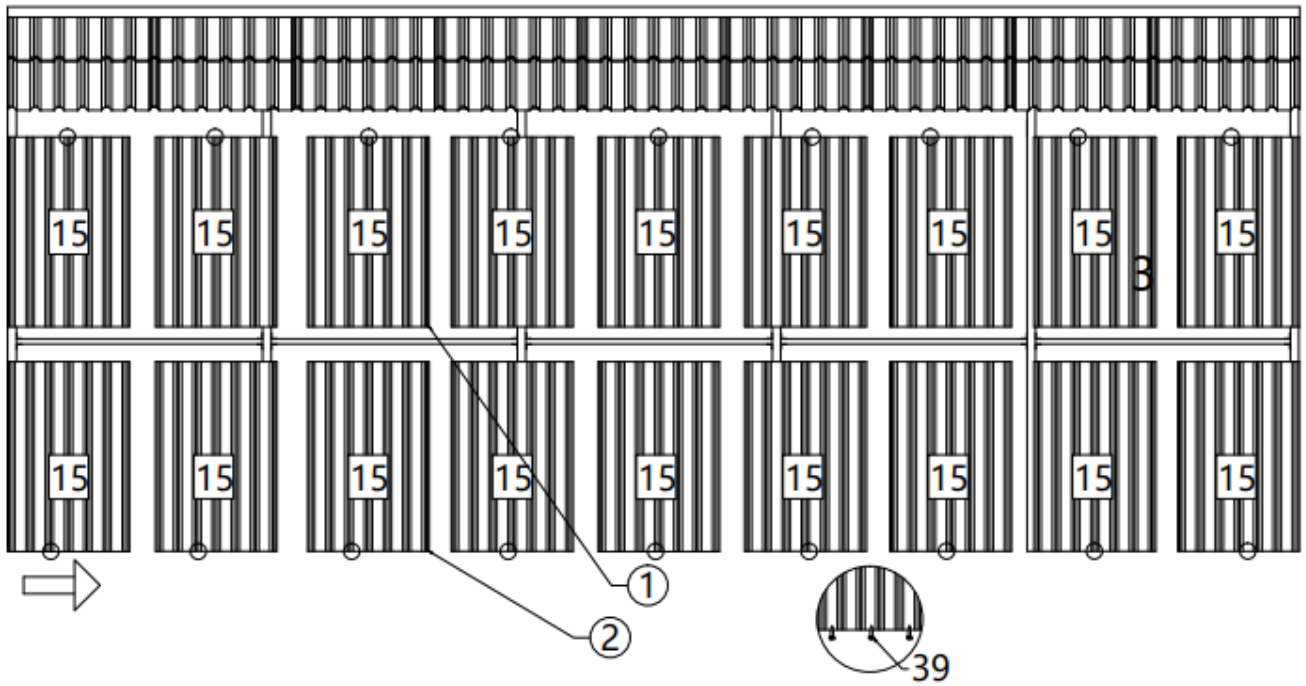
PARTS CODE	GRAPHICAL	QTY
17L		1
17R		1
17L1		1
17R1		1
17L2		1
17R2		1
19		4
39		76


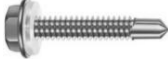
STEP 11 : INSTALL SIDE COLOR STEEL TILE.



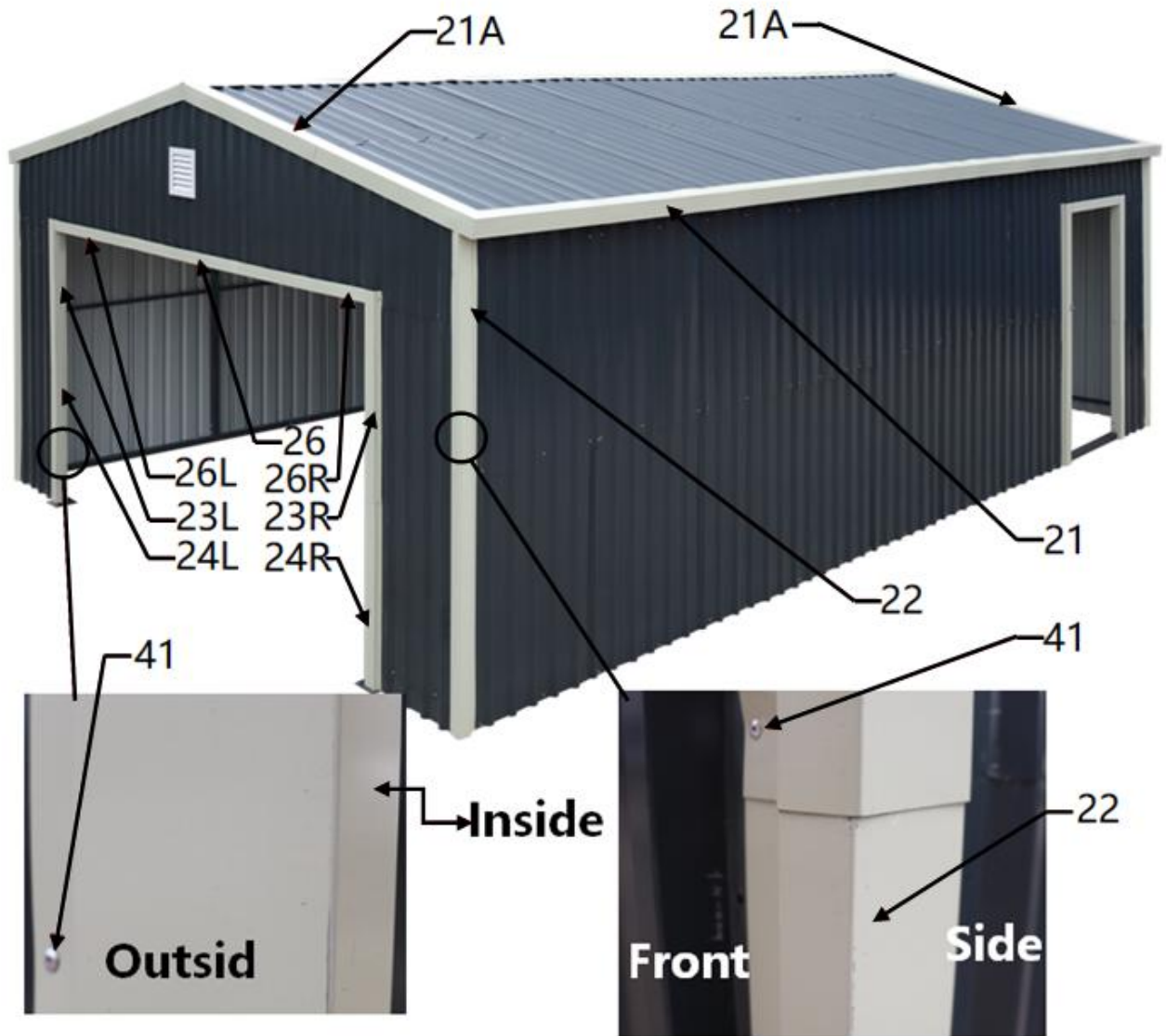
PARTS CODE	GRAPHICAL	QTY
15		14
15A		2
16		2
16A		1
39		106

STEP 12 : INSTALL SIDE COLOR STEEL TILE.



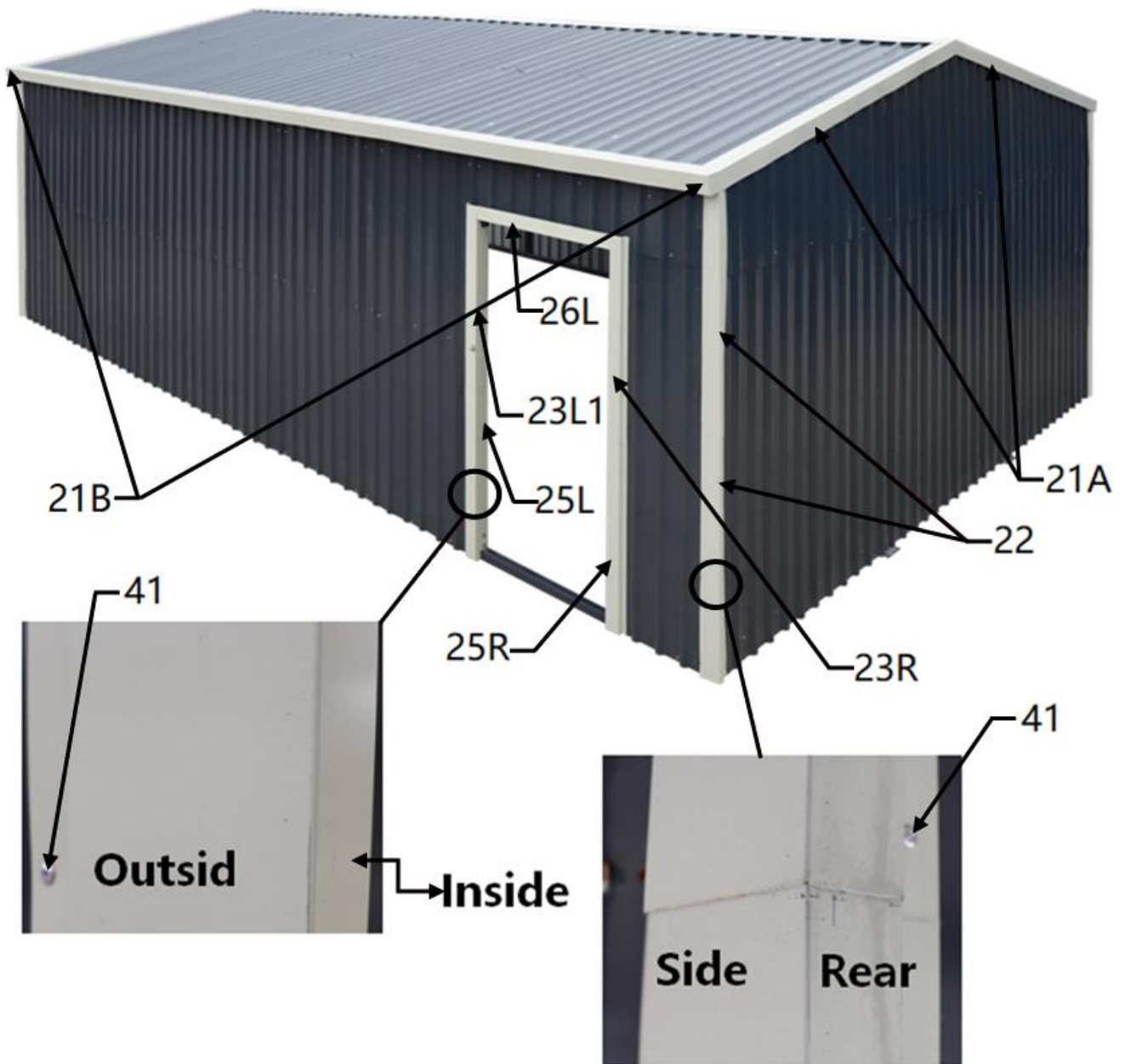
PARTS CODE	GRAPHICAL	QTY
15		18
39		108

STEP 13 : INSTALL THE EDGING.



PARTS CODE	GRAPHICAL	QTY
21		7x2
22		2x4
23L		1
23R		1
24L		1

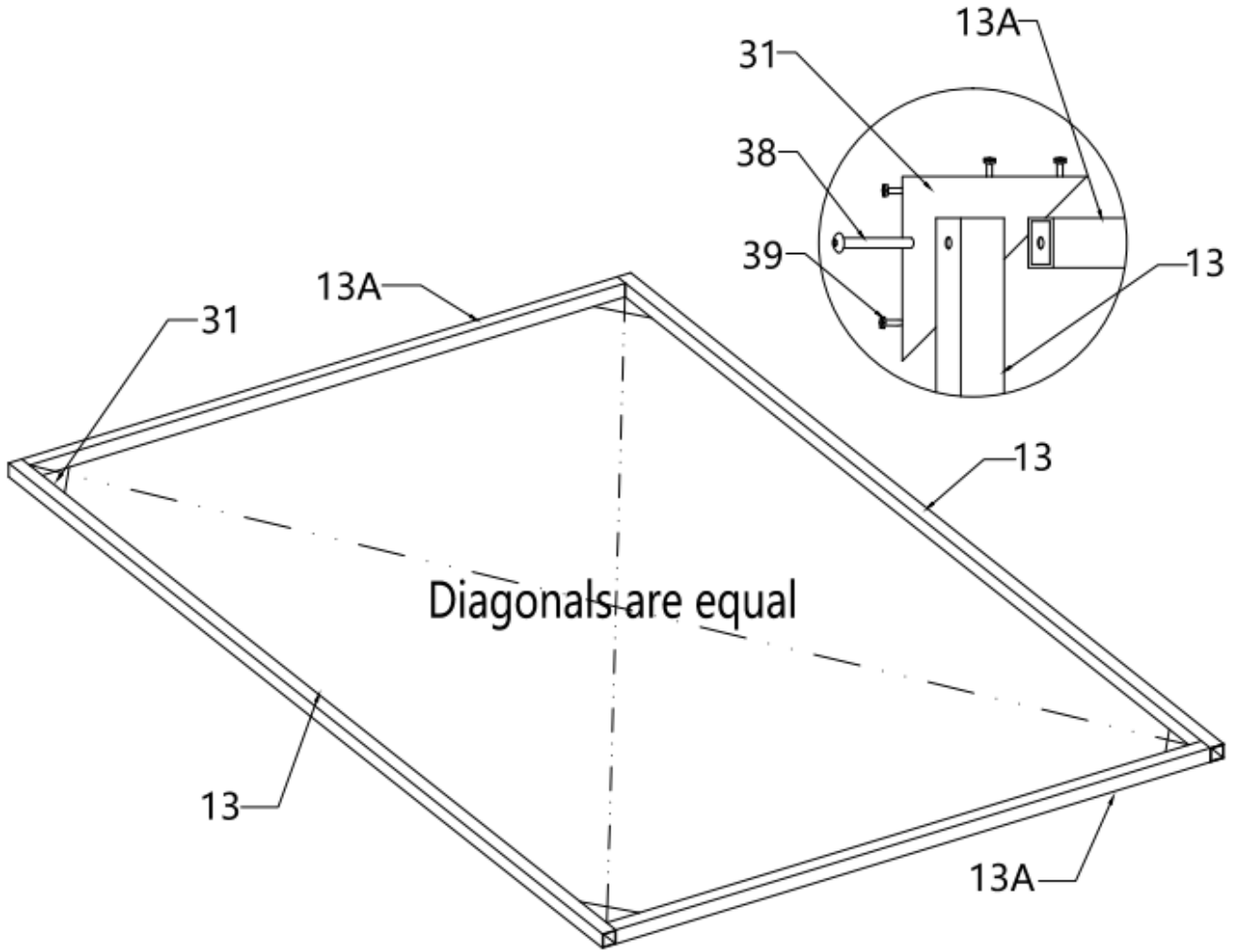
24R		1
26		1
26L		1
26R		1
41		216
21A		8



PARTS CODE	GRAPHICAL	QTY
23R		1
23L1		1
25L		1

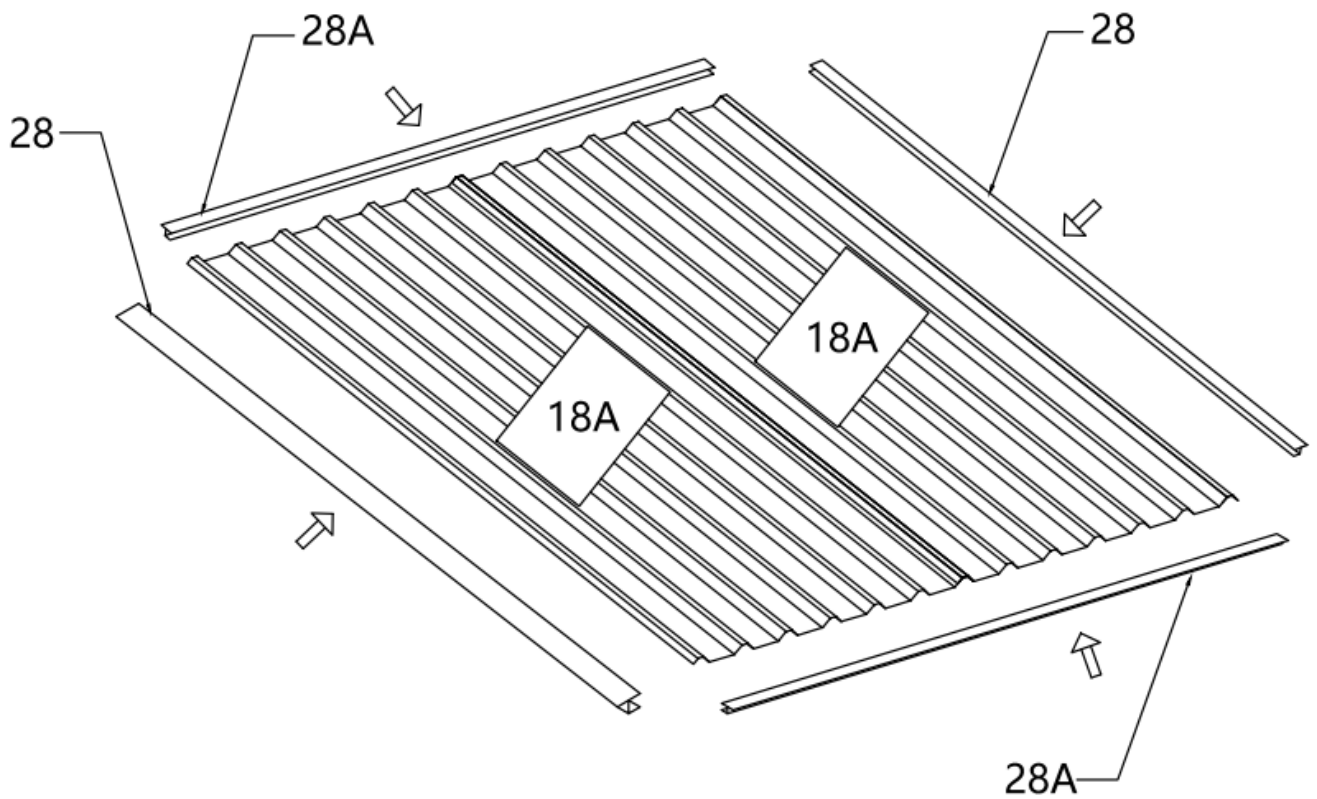
25R		1
27		1
41		40
21B		4




STEP 14-1 : FRONT DOOR ASSEMBLY INSTALLATION.



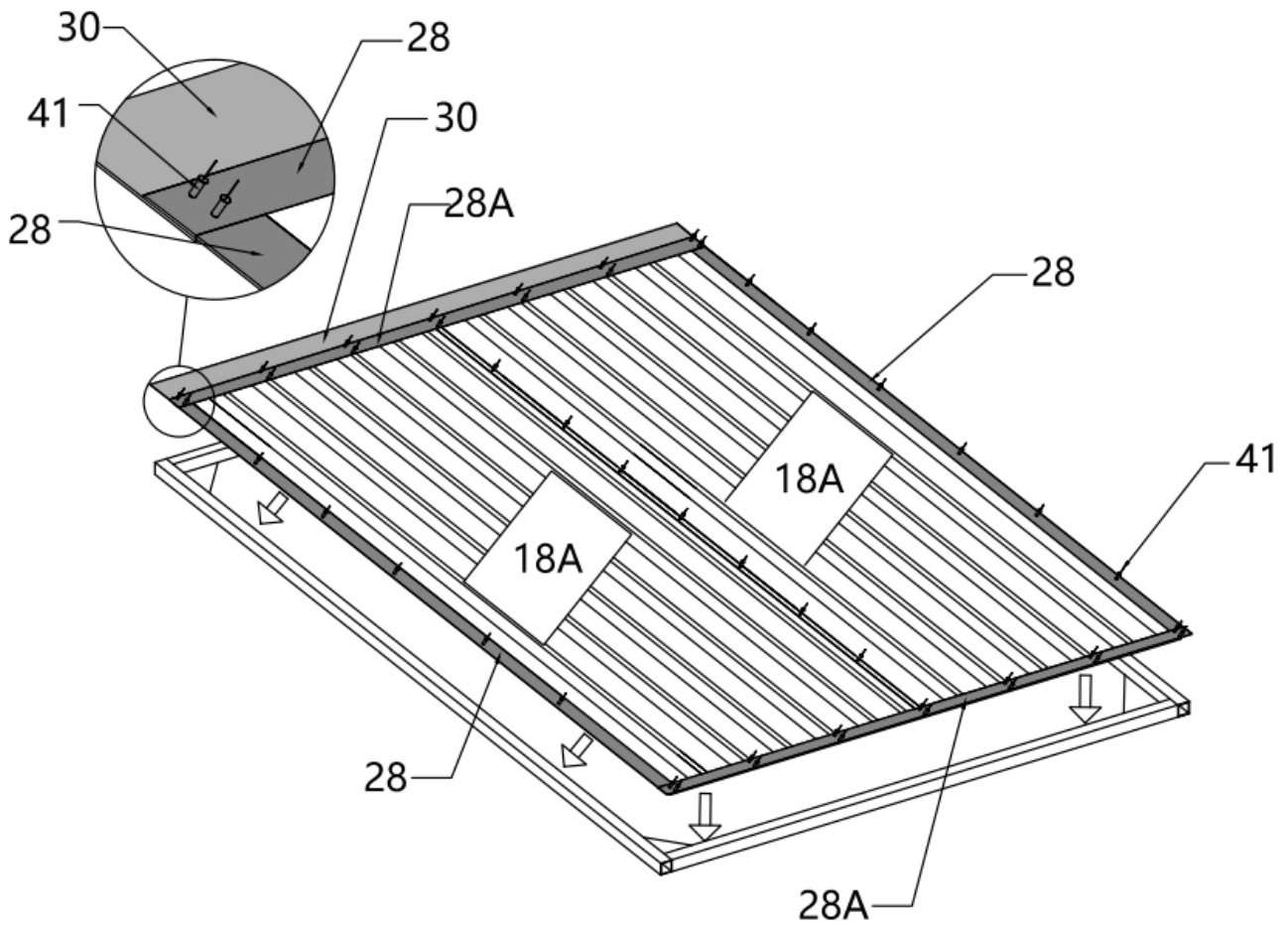
PARTS CODE	GRAPHICAL	QTY
13		2x2
13A		2x2
31		4x2
38		4x2
39		16x2



STEP 14-2 : FRONT DOOR ASSEMBLY INSTALLATION.



PARTS CODE	GRAPHICAL	QTY
18A		2x2
28		2x2
28A		2x2

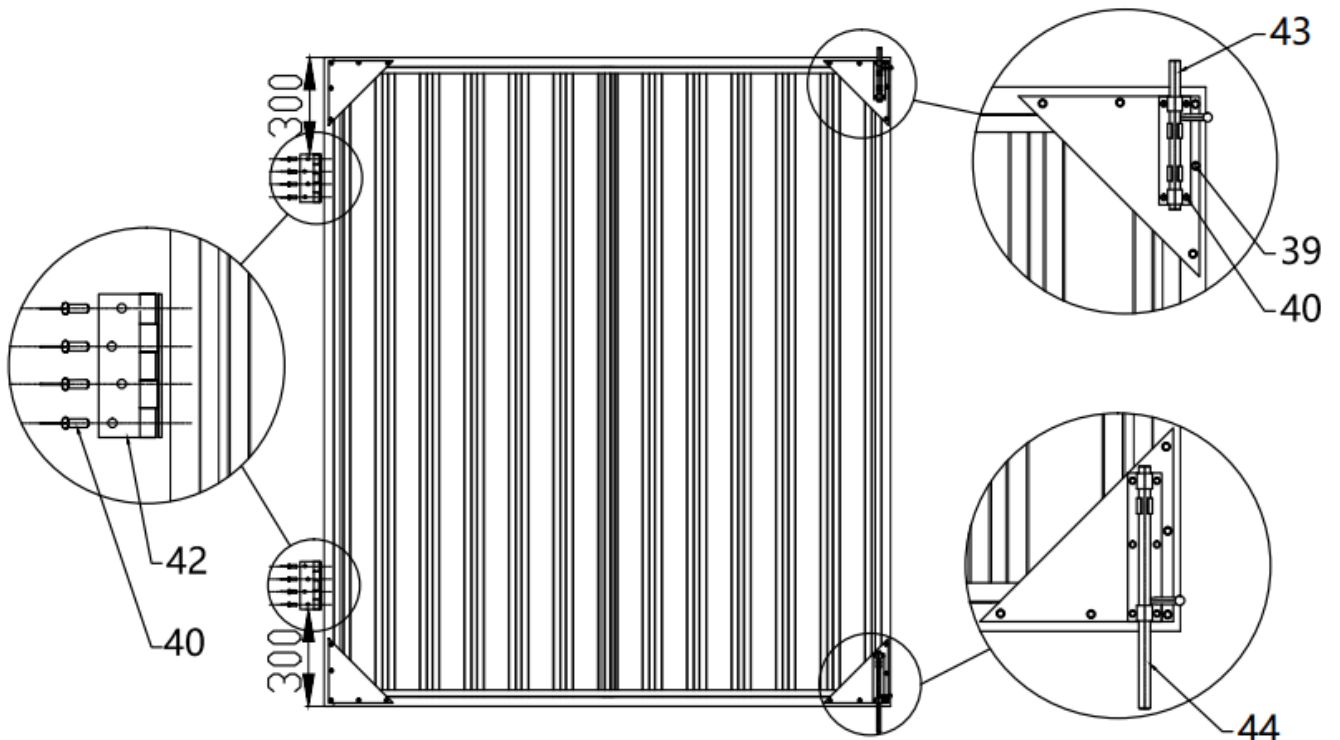
STEP 14-3 : FRONT DOOR ASSEMBLY INSTALLATION.



PARTS CODE	GRAPHICAL	QTY
30		1x2
41		46x2

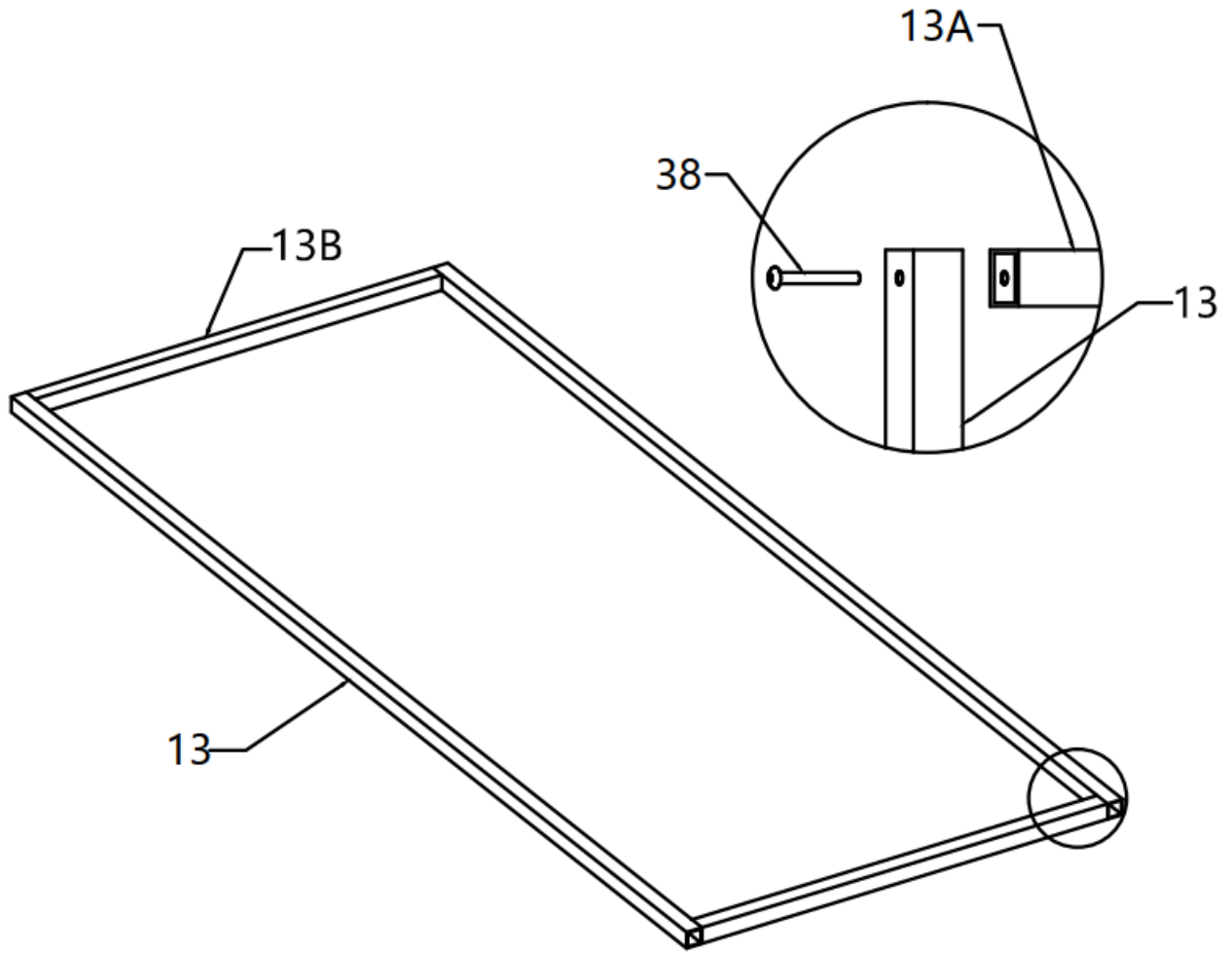
STEP 15 : INSTALL FRONT DOOR HINGES AND LATCHES.

(WHAT YOU SEE IS THE INSIDE)



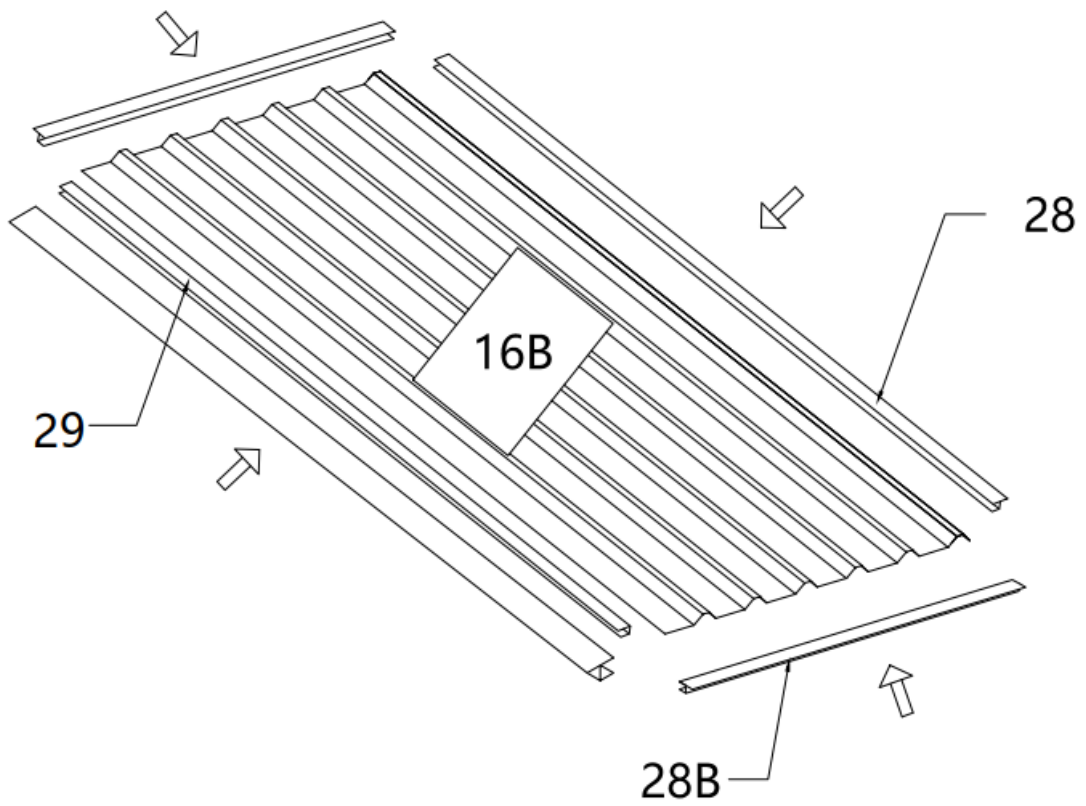
PARTS CODE	GRAPHICAL	QTY
39		20x2
40		8x2
42		2x2
43		1x2
44		1x2





STEP 16-1 : SIDE DOOR ASSEMBLY INSTALLATION.



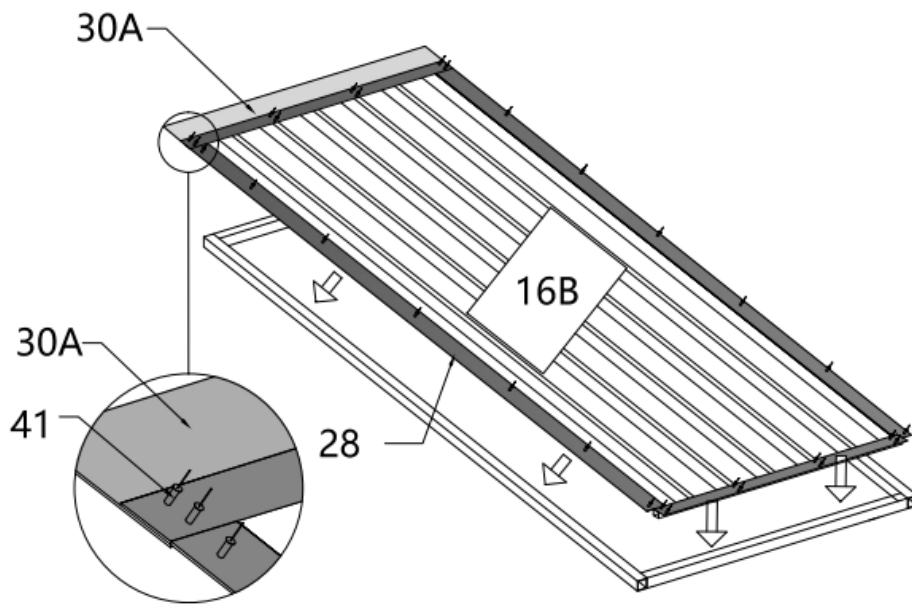
PARTS CODE	GRAPHICAL	QTY
13		2
13B		2
38		4



STEP 16-2 : SIDE DOOR ASSEMBLY INSTALLATION.



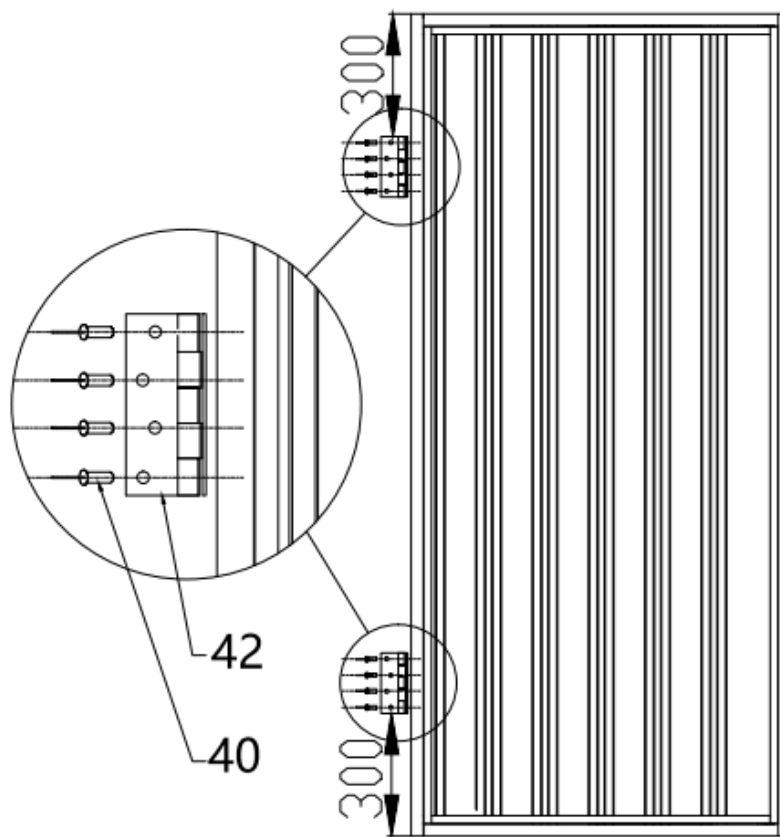
PARTS CODE	GRAPHICAL	QTY
16B		1
28		2
28B		2
29		1


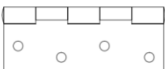
STEP 16-3 : SIDE DOOR ASSEMBLY INSTALLATION.



PARTS CODE	GRAPHICAL	QTY
30A		1
41		30

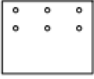

STEP 17 : SIDE FRONT DOOR HINGES.



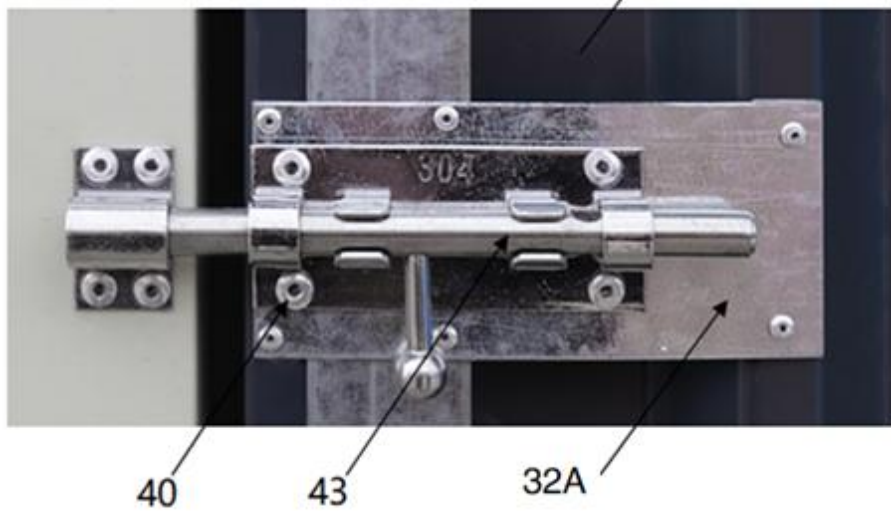
PARTS CODE	GRAPHICAL	QTY
40		8
42		2





STEP 18 : INSTALL FRONT AND REAR DOORS.



PARTS CODE	GRAPHICAL	QTY
32		6
40		10x6

STEP 19 : INSTALL REAR DOORS.



PARTS CODE	GRAPHICAL	QTY
32A		1
40		14
43		1
45		1