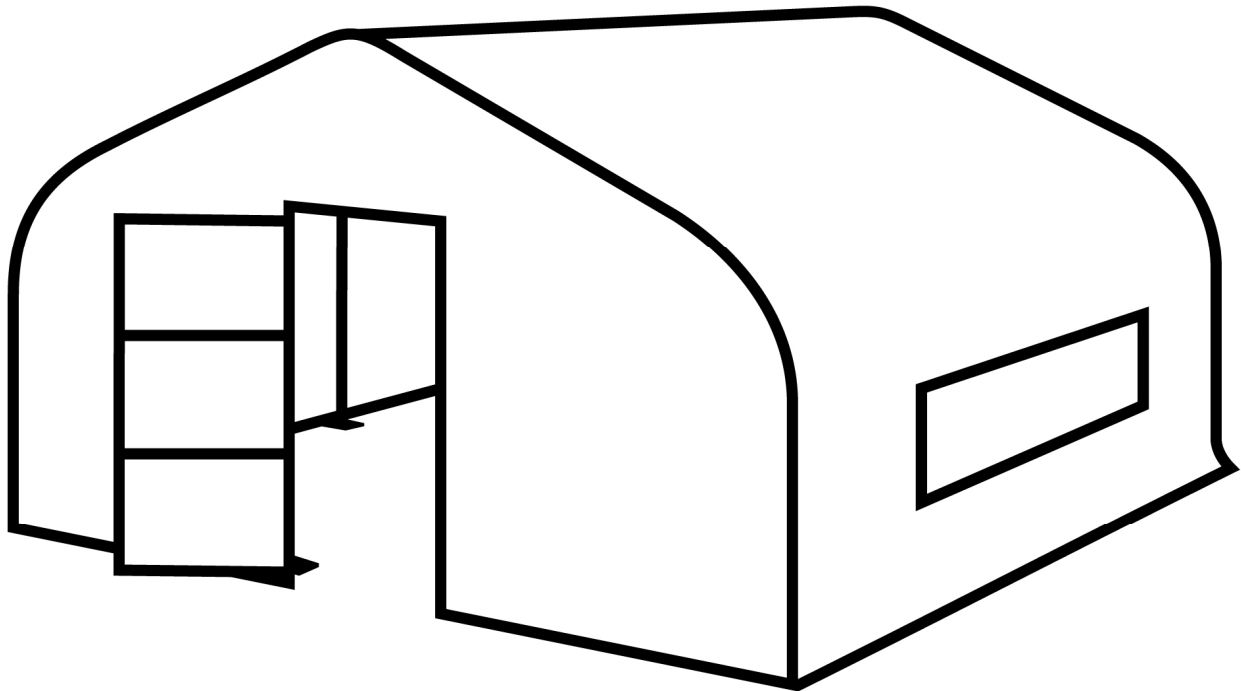
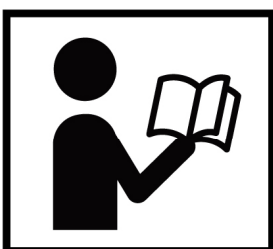


20' X 20' TUNNEL GREENHOUSE GROW TENT



⚠ WARNING



This structure is intended for temporary outdoor storage use only. It is not designed to withstand heavy snow and wind loads and does not come with engineering drawings. To ensure suitable for your specific weather needs, it is your responsibility to verify their appropriateness for your intended use and local weather conditions, especially in areas prone to severe weather.

- Please read and understand the product manual completely before assembly
- Check against the parts list to make sure all parts are received
- Wear proper safety goggles or other protective gears while in assembly
- Do not return the product to dealer. They are not equipped to handle your requests.

Missing parts or have questions on assembly?

Please call: 1-877-761-2819 or email: cs@tmgindustrial.com

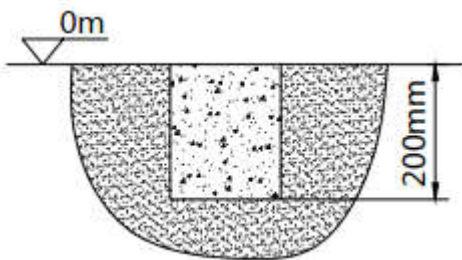
MAIN SPECIFICATIONS :

- Assembly size : W6 x L6 x H3 (m) / W19.7 x L19.7 x H9.8 (ft)
- Shoulder wall clearance height : 1.25 m / 4.1ft
- Front roll up door : W1.1 x H2 (m) / W3.6 x H6.6 (ft)

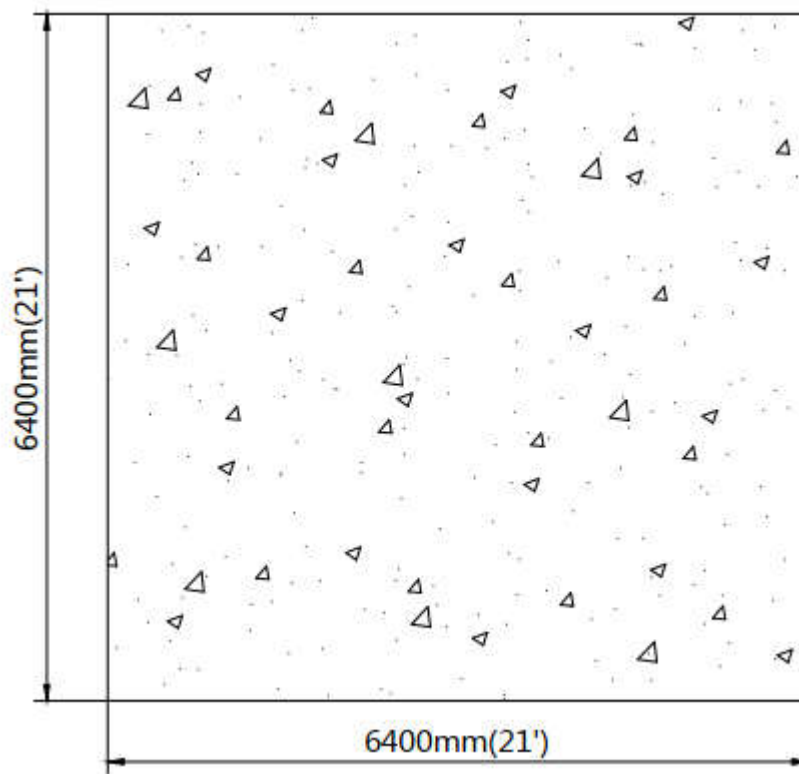
CONCRETE FOUNDATION SIZE SEE BELOW FIGURE.

- The layout of foundation (one).

Depth of cement



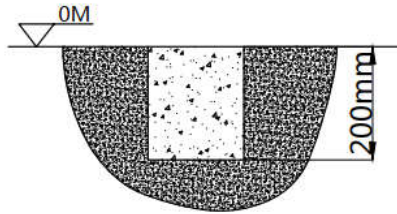
Unit: mm (ft)



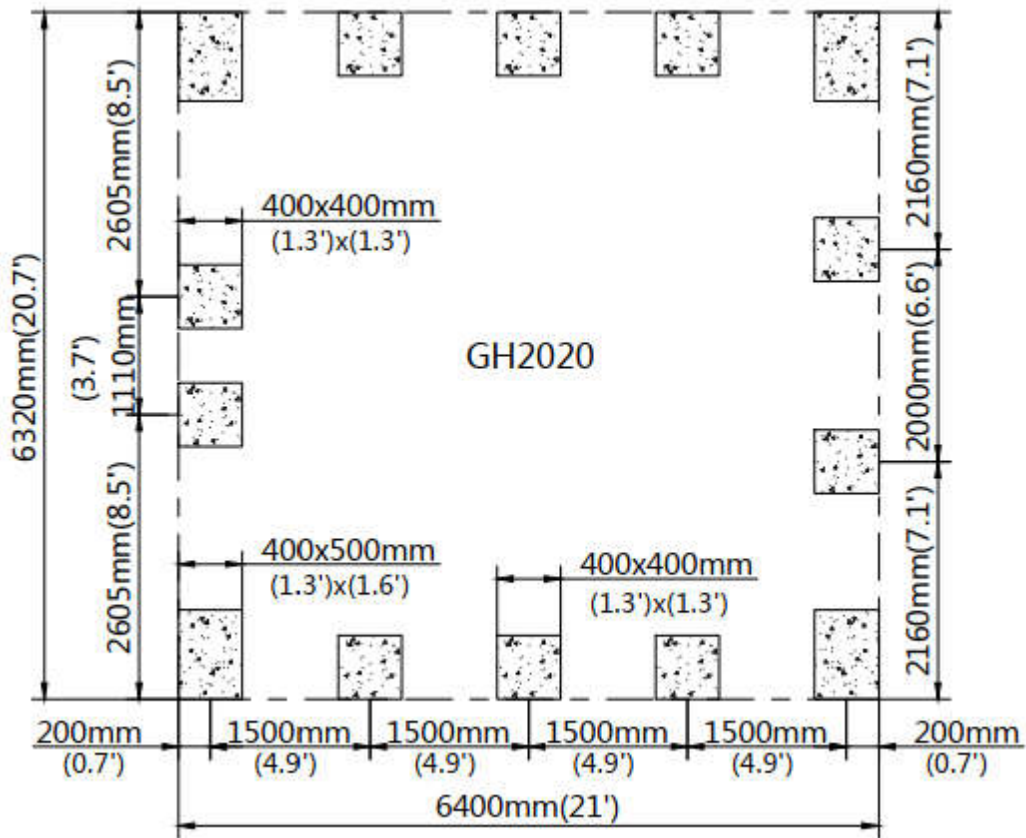
- The layout of foundation(two).

Note: the ground anchor is installed on the cement block.

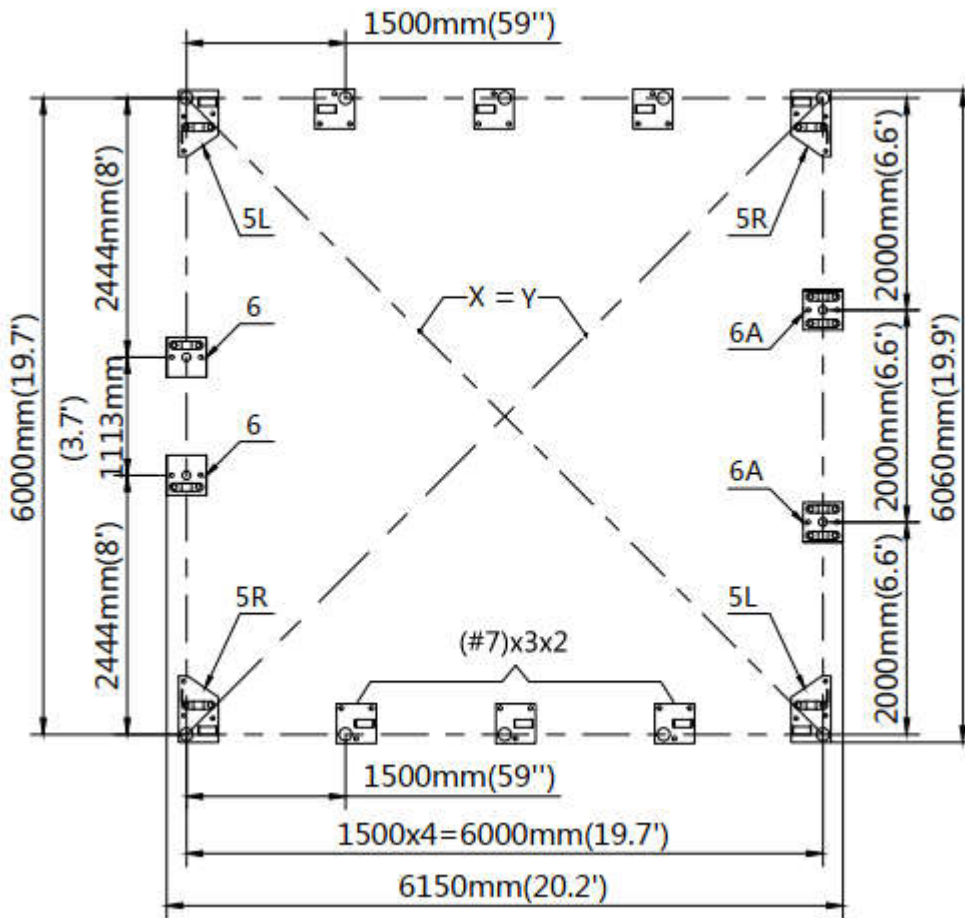
Depth of cement



Unit : mm(ft)



- Baseplate layout.



PRIOR TO ASSEMBLY

Please read the instructions carefully before installation. It is important to follow your local safety regulations and industry standards during installation. Regulations may include but are not limited to :

- Safety helmets, protective eyewear, and clothing.
- Safety harnesses for all elevated workers.
- Proper ladder, cage, and safety operation.

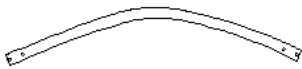

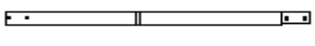
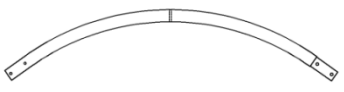
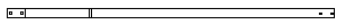




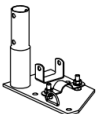
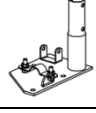

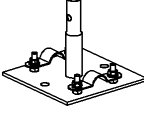
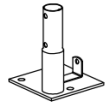
Check all components and parts before installation. All parts are marked with a part number, please refer to the parts list to make sure you have all parts.






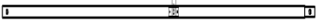

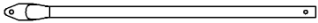
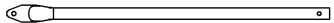
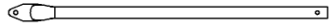

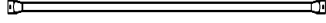
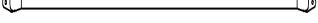
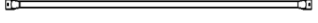
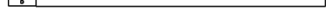

Choose a day with low or no wind to install, assembly is hard in heavy wind. Do not make any alterations to the structure. Do not hang any weights on the frame during installation, including parts. We are not responsible for any damages or injuries caused by inappropriate installation, unauthorized modifications or extreme weather.

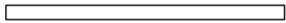
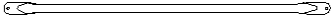



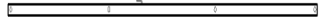
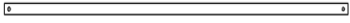


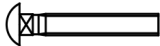






This building is not intended for human occupancy.





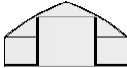





It is recommended to tape or add foam/rubber on the frame where joints connect and where it touches the cover. This will help extend the life span of the cover.

TMG-GH2020 PART LIST

PARTS CODE	GRAPHICAL	DESCRIPTION	LENGTH	QTY
1		Peak arch tube	φ48x1154mm	5
2		Upper rafter tube (middle and rear trusses)	φ48x1980mm	8
2A		Upper rafter tube (front truss)	φ48x1980mm	2
3		Shoulder tube (middle truss)	φ48x1335mm	10
4		Lower rafter tube (front and rear trusses)	φ48x1139mm	10
5		Roof purlin (horizontal tube)	φ25x1448mm	20
5A		Middle truss connectors	W35xL140mm φ25 / φ48	30
5B		Front and rear connectors	W35xL96mm φ25 / φ48	10
5C		Self-tapping screws	#12x25mm	25
5L		Left corner baseplate (front and rear trusses)	W150xL250mm	2
5R		Right corner baseplate (front and rear trusses)	W150xL250mm	2
6		Baseplate (front truss)	150x150mm	2
6A		Baseplate (rear truss)	150x150mm	2
7		Baseplate (middle truss)	150x150mm	6

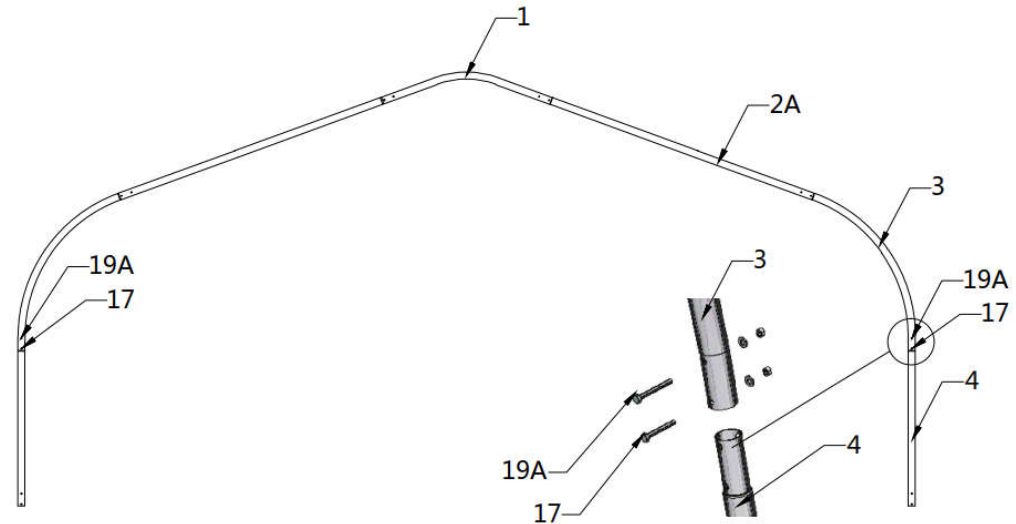
7A		Ratchet	2T	10
7B		Tensioning tube	φ32x1993mm	4
7C		Tensioning tube	φ32x2193mm	2
8		Door frame lower tube (front truss)	φ32x1922mm	1
8A		Door frame lower tube	φ32x1157mm	2
8B		Door frame lower tube (front truss)	φ32x1922mm	1
8C		Door frame lower tube (front truss)	φ32x1265mm	2
9		Door frame upper tube (front truss)	φ32x886mm	2
9A		Door frame upper tube (rear truss)	φ32x1429mm	2
9B		Door frame upper tube (front truss)	φ32x1135mm	2
10		Door frame upper horizontal tube (front truss)	φ25x1240mm	4
10A		Door frame horizontal tube (rear truss)	φ25x2030mm	3
11		Ceiling cross bar (middle and rear trusses)	φ25x1460mm	4
11A		Door frame cross pull tube (front truss)	φ25x1143mm	1
12		Bottom tension bar (front cover)	φ25x1188mm	2
12A		Bottom tension bar (front cover)	φ25x1220mm	2


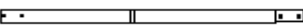
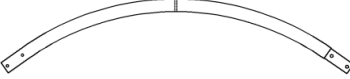
12B		Bottom tension bar (rear cover)	φ25x1925mm	3
13		Diagonal bracing bar (1st and last span)	φ25x1910mm	4
13A		Tube clamp	φ48mm	12
13B		Tube clamp	φ32mm	2
14		Door frame column tube	30x30x1925mm	1
14A		Door frame column tube	30x30x1925mm	1
15		Door horizontal tube	30x30x996mm	4
16		Expansion bolt	φ14x100mm	38
17		Hex bolt	M10x60mm	76
18		Self locking bolt	M6x40mm	40
18A		Mushroom head hexagon socket head bolt	M6x50mm	8
19		Hex bolt	M8x20mm	22
19A		Hex bolt	M8x80mm	4
19B		Hex bolt	M8x50mm	10
19C		Hex bolt	M6x80mm	2
20		Door cover	W1140xL2030mm	1

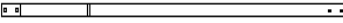


21		Water plug	φ32mm	6
21A		Water plug	30x30mm	4
21B		Water plug	φ25mm	10
22		Top cover	W6400xL10520mm	1
23		Front cover panel	W3220xL59520mm	1
23A		Rear cover panel	W3220xL59520mm	1
24		Braided rope	φ8x100m	1
24A		Ratchet straps	W38xL800mm	10
25		Allen key	4mm	1
26		Scratch resistant tape	10m	1

STEP 2 : ASSEMBLE ALL TRUSSES.

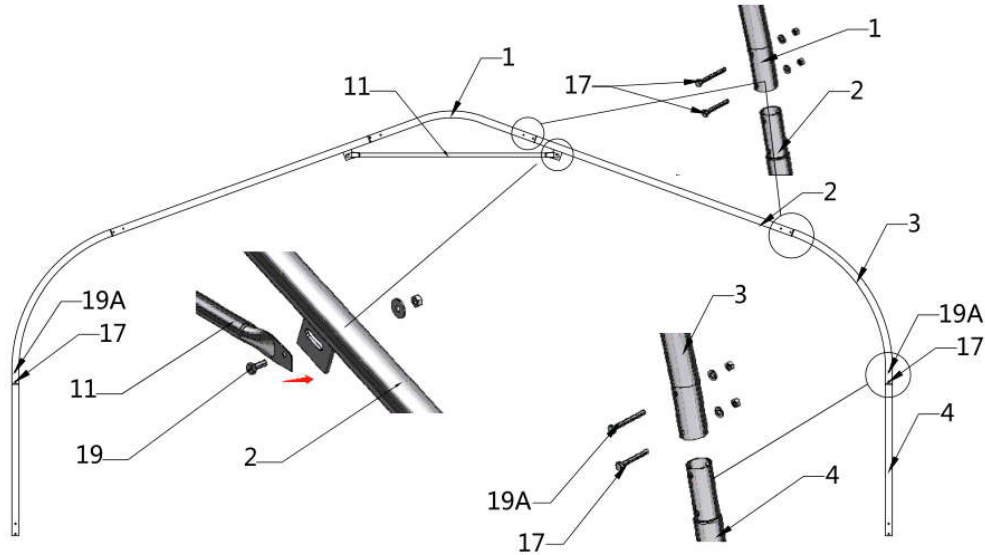
- The building includes 5 trusses: (1) front truss, (1) rear truss, and (3) middle trusses.
- install front truss.

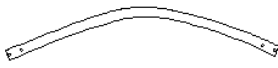


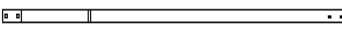


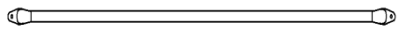



NO.	PART	QTY
1		1
2A		2
3		2

NO.	PART	QTY
4		2
17		10
19A		2

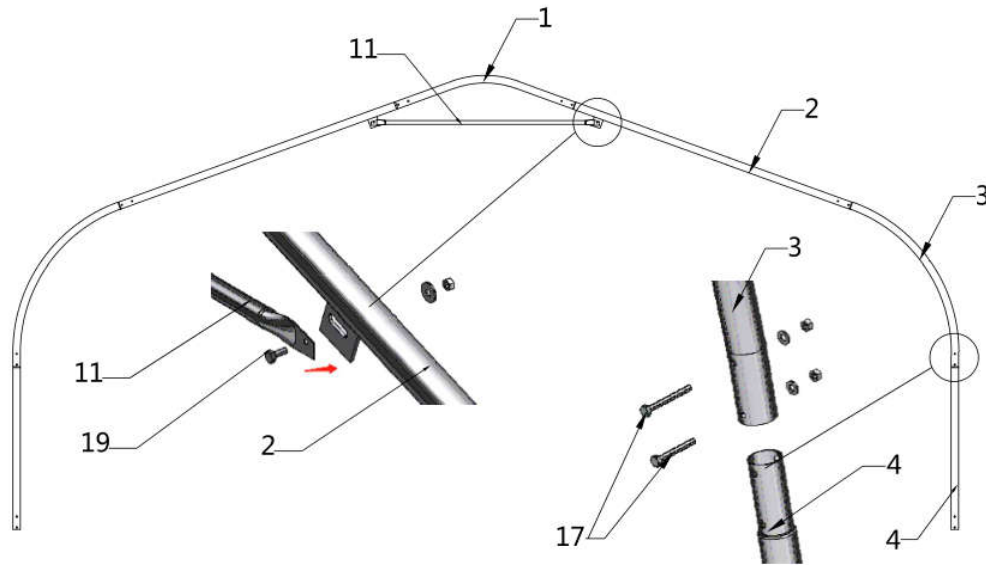
- install rear truss.


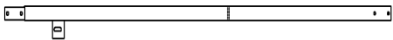
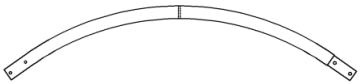
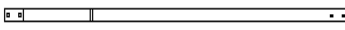


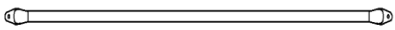


NO.	PART	QTY
1		1
2		2
3		2
4		2

NO.	PART	QTY
11		1
17		10
19		2
19A		2

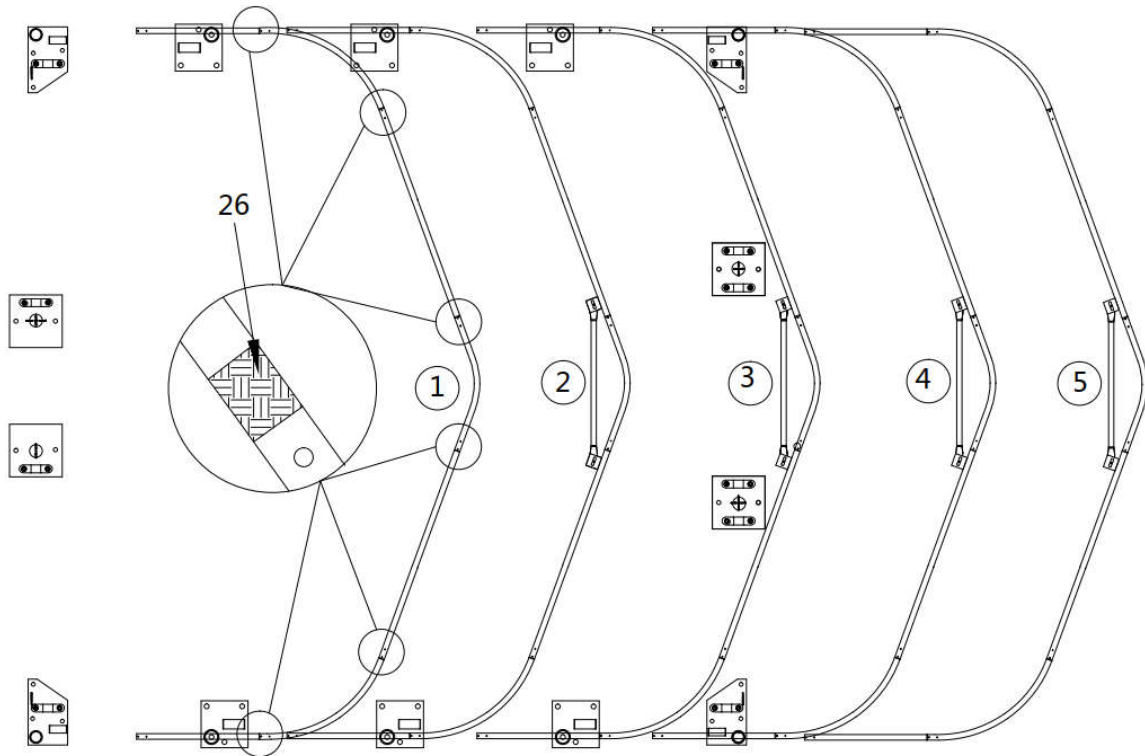
- Install (3) middle trusses.



NO.	PART	QTY
1		1x3
2		2x3
3		2x3
4		2x3

NO.	PART	QTY
11		1x3
17		12x3
19		2x3

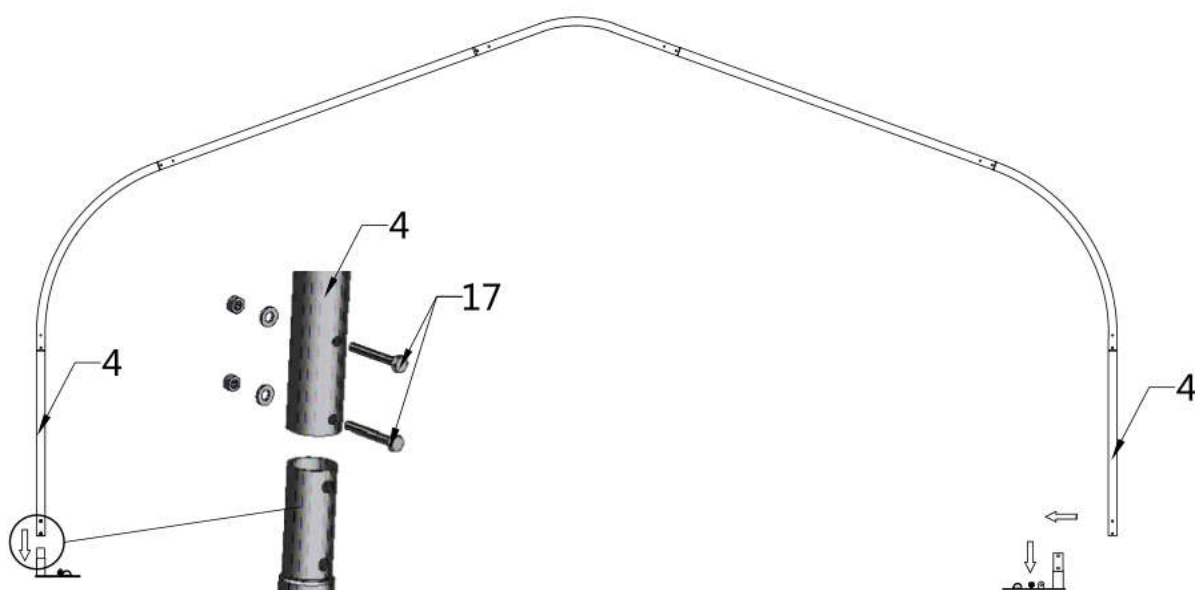
- Lay down all (5) trusses on the ground when the assembly is all completed and before moving to next step, and then wrap (#26) around the sharp points of the joint to avoid friction between the fabric and the interface, resulting in fabric damage.




NO.	PART	QTY
26		1

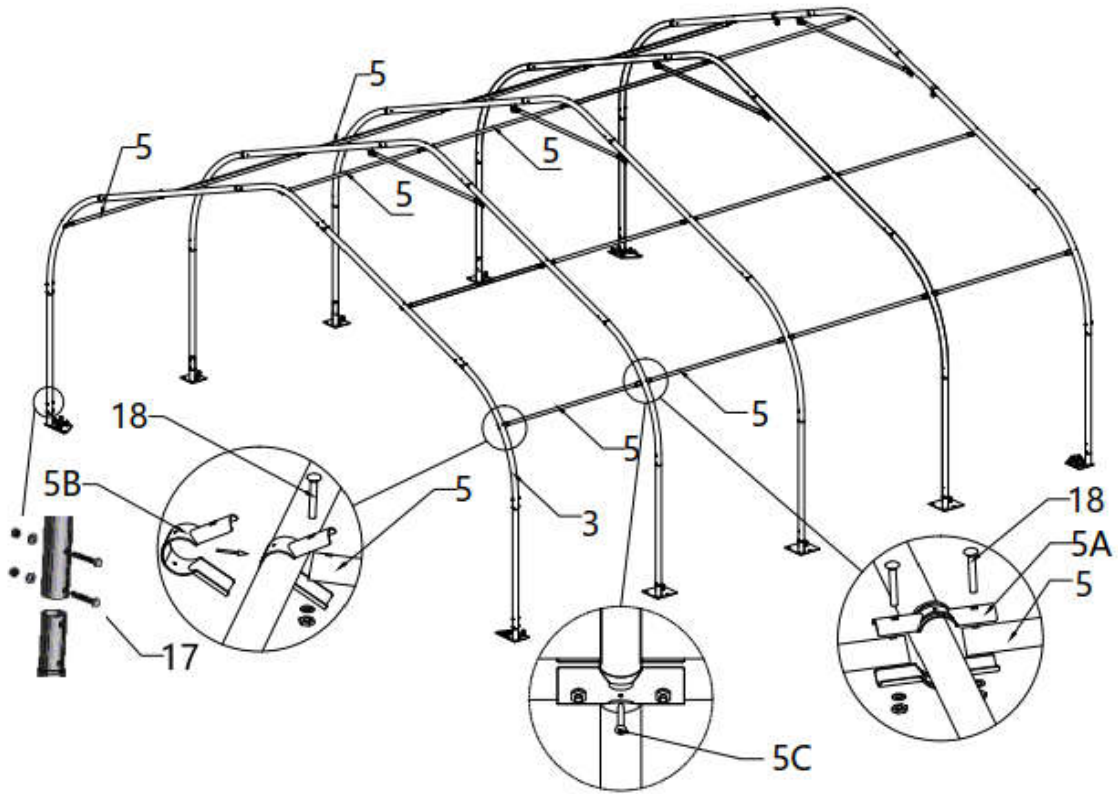
STEP 3: PUT UP THE FRONT (1ST) TRUSS.

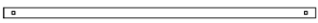





- Put up the truss, use hex bolt (#17) to secure the truss to the base plates.



NO.	PART	QTY
17		4

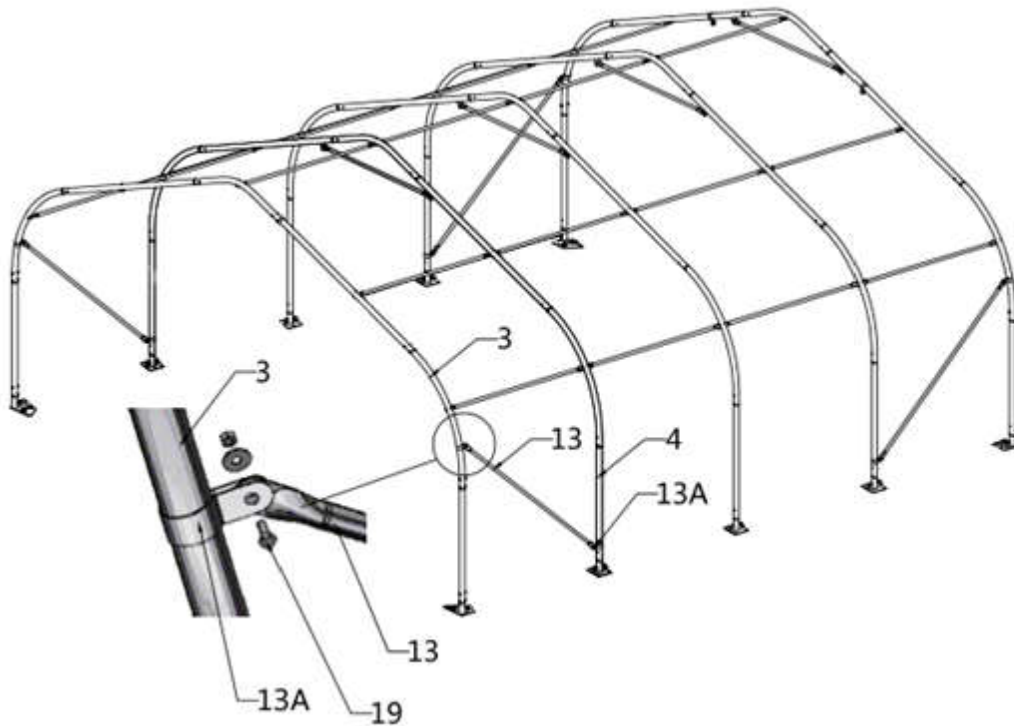
- Refer to Step 3 to put up the rest trusses, connect all purlins.






NO.	PART	QTY
5		20
5A		30
5B		10
5C		25
17		16
18		40

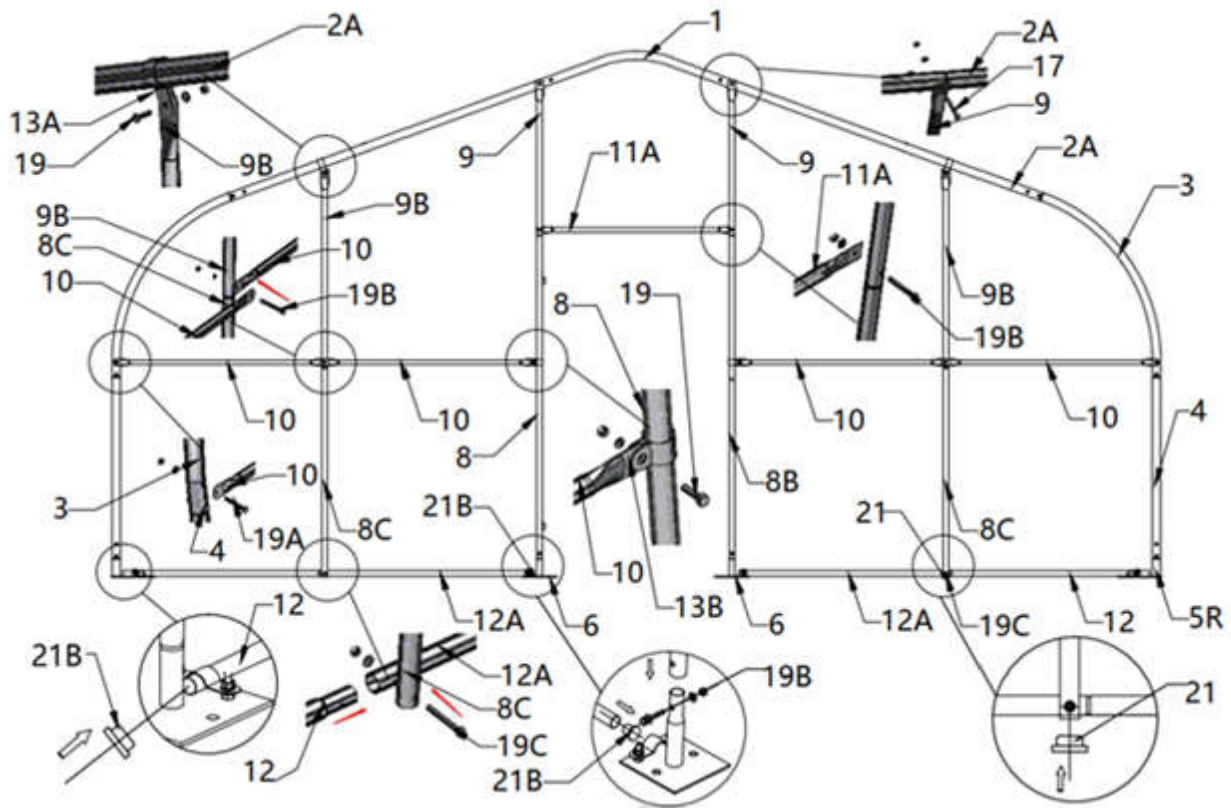
STEP 4 : INSTALL THE DIAGONAL BRACING BARS (#13).

- Connect diagonal bracing bar (#13) on the first and last span between the shoulder tube and lower rafter tube (#3 and #4) with tube clamp (#13A), use bolt (#19).



NO.	PART	QTY
13		4
13A		8
19		8

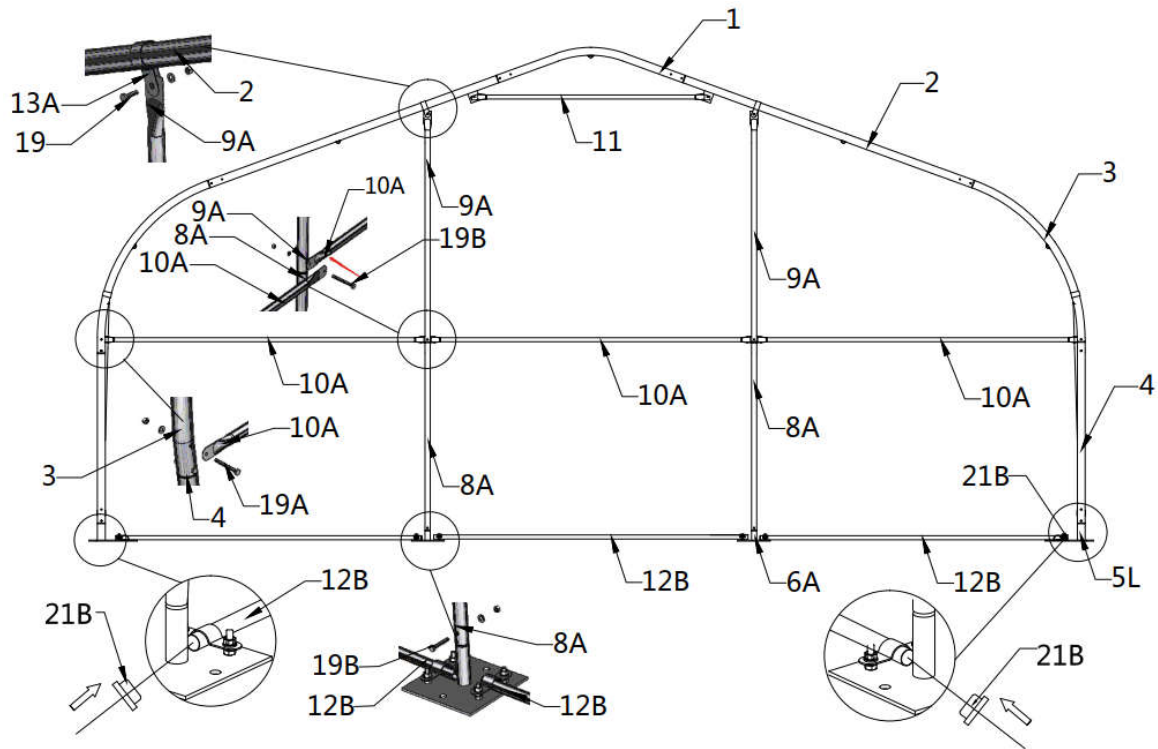
STEP 5 : INSTALL THE REMAINING PARTS ON THE FRONT TRUSS.



NO.	PART	QTY
8		1
8B		1
8C		2
9		2
9B		2
10		4
11A		1
12		2

NO.	PART	QTY
12A		2
13A		2
13B		2
19		4
19B		6
19C		2
21		2
21B		4

STEP 6 : INSTALL THE REMAINING PARTS ON THE REAR TRUSS.

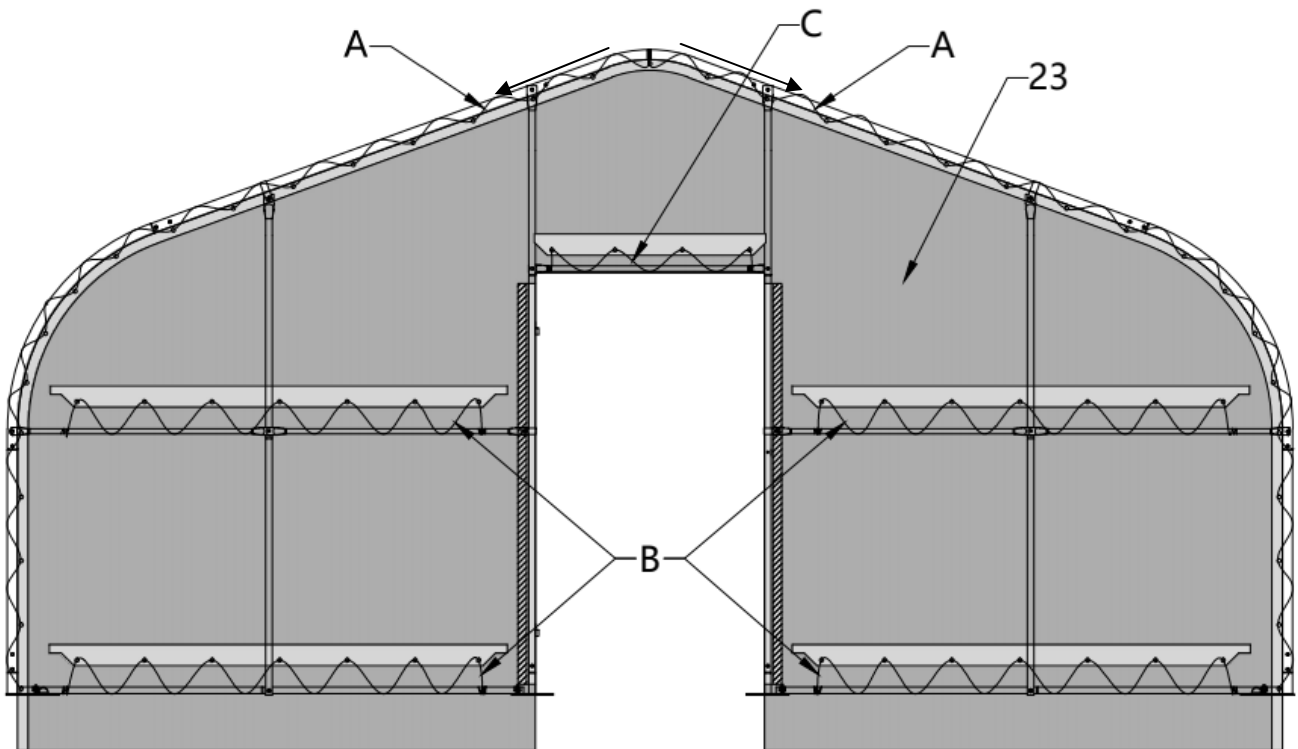


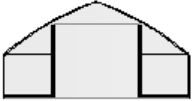

NO.	PART	QTY
8A		2
9A		2
10A		3
12B		3

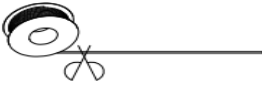
NO.	PART	QTY
13A		2
19		2
19B		4
21B		6

STEP 7 : INSTALL FRONT COVER PANEL, WHAT YOU SEE IN THIS PICTURE IS THE INSIDE.

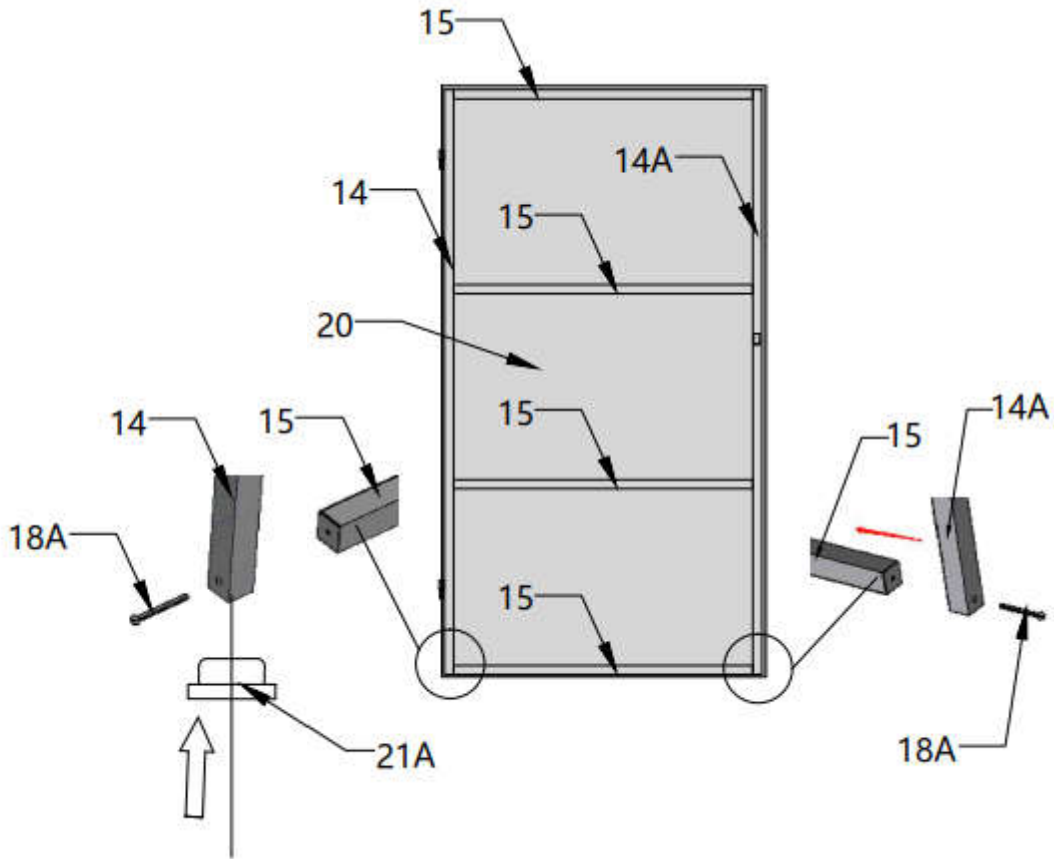
- Use rope (#24) to lift up the front cover (#23) from the center grommet and tie it firmly to the truss tube and spread toward both sides through each grommet along the tube.


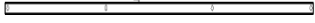






NO.	PART	QTY
23		1
24		32m

ROPE CUTTING SIZE		
24		QTY
A	7m	2
B	4m	4
C	2m	1

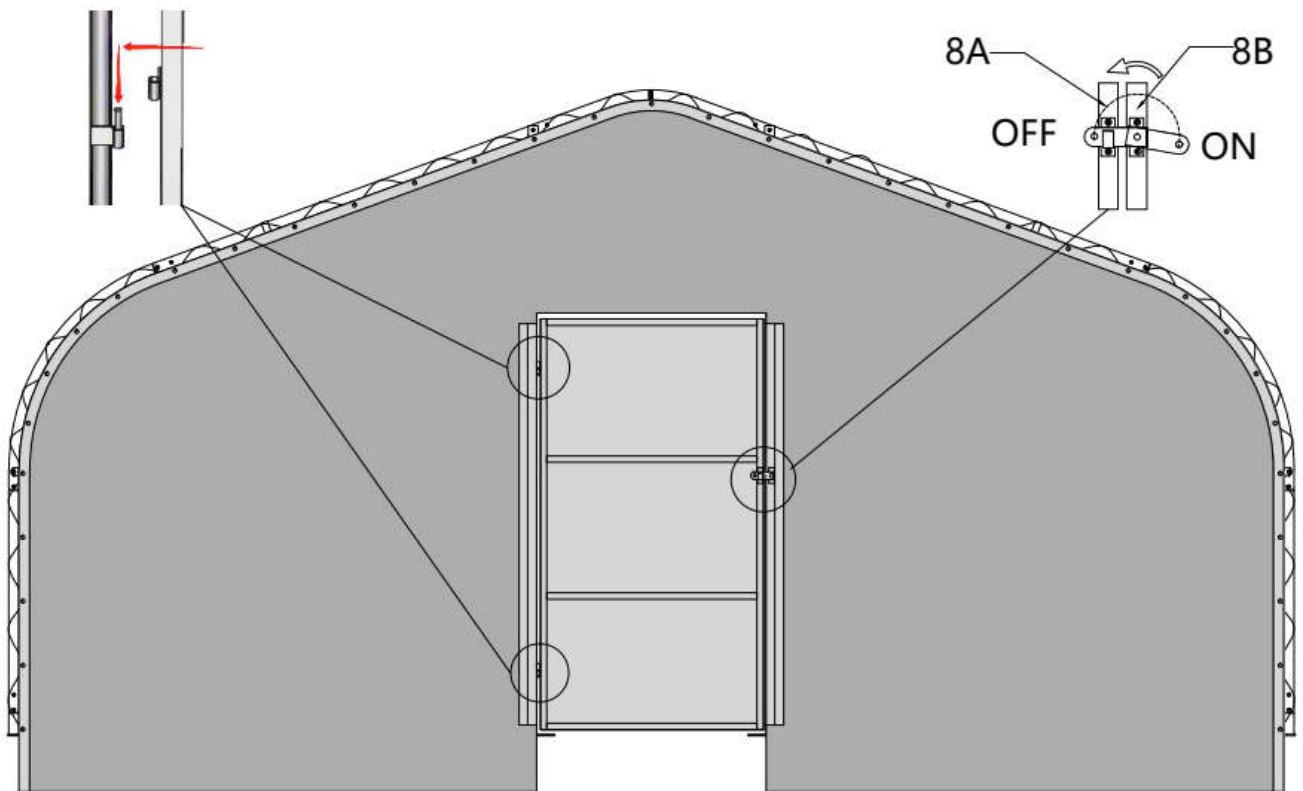
- Assemble the sliding door. Fix the door column (#14) and (#14A) on the cross pull tube (#15) with bolts (#18A).



NO.	PART	QTY
14		1
14A		1
15		4

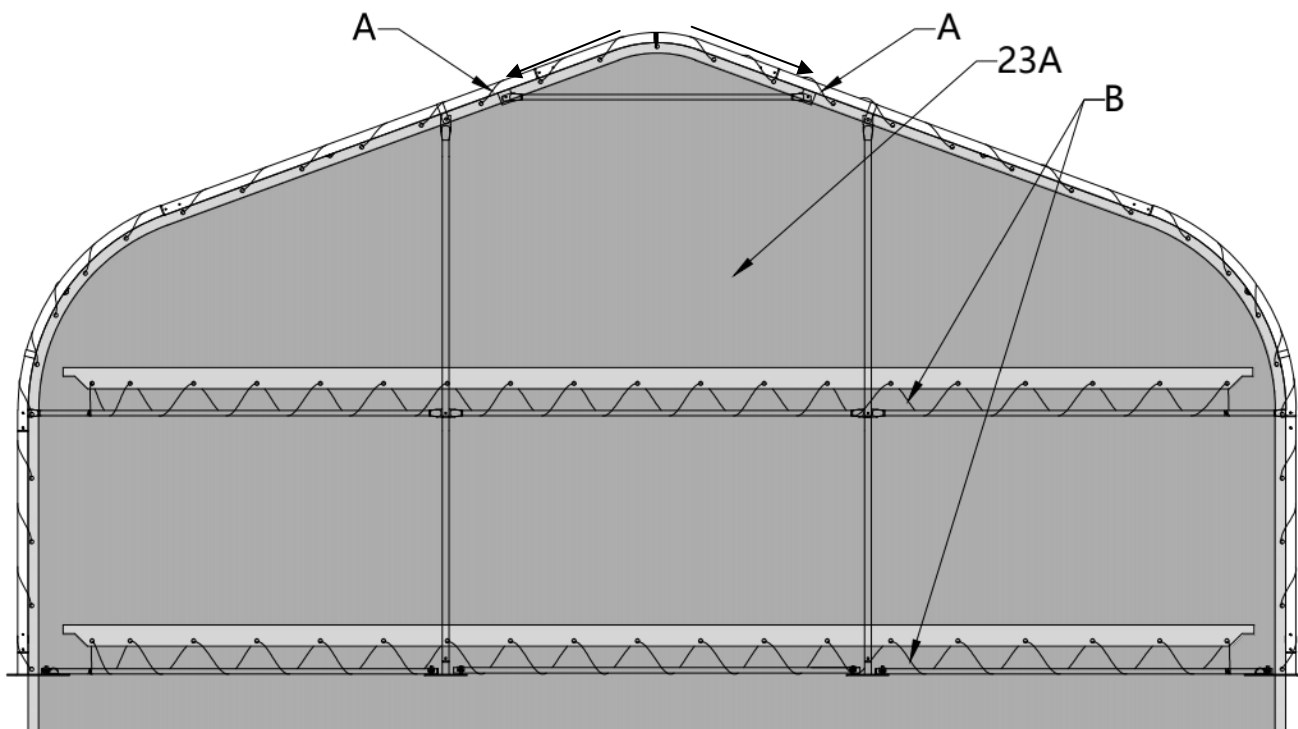
NO.	PART	QTY
18A		8
20		1
21A		4

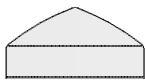

- Sliding door installation. The assembled door cover cloth (#20) of the sliding door cover is fixed on the door frame of the front truss through the hinge.




STEP 8 : INSTALL REAR COVER PANEL, WHAT YOU SEE IN THIS PICTURE IS THE INSIDE.

- Use rope (#24) to lift up the rear cover (#23A) from the center grommet and tie it firmly to the truss tube and spread toward both sides through each grommet along the tube.



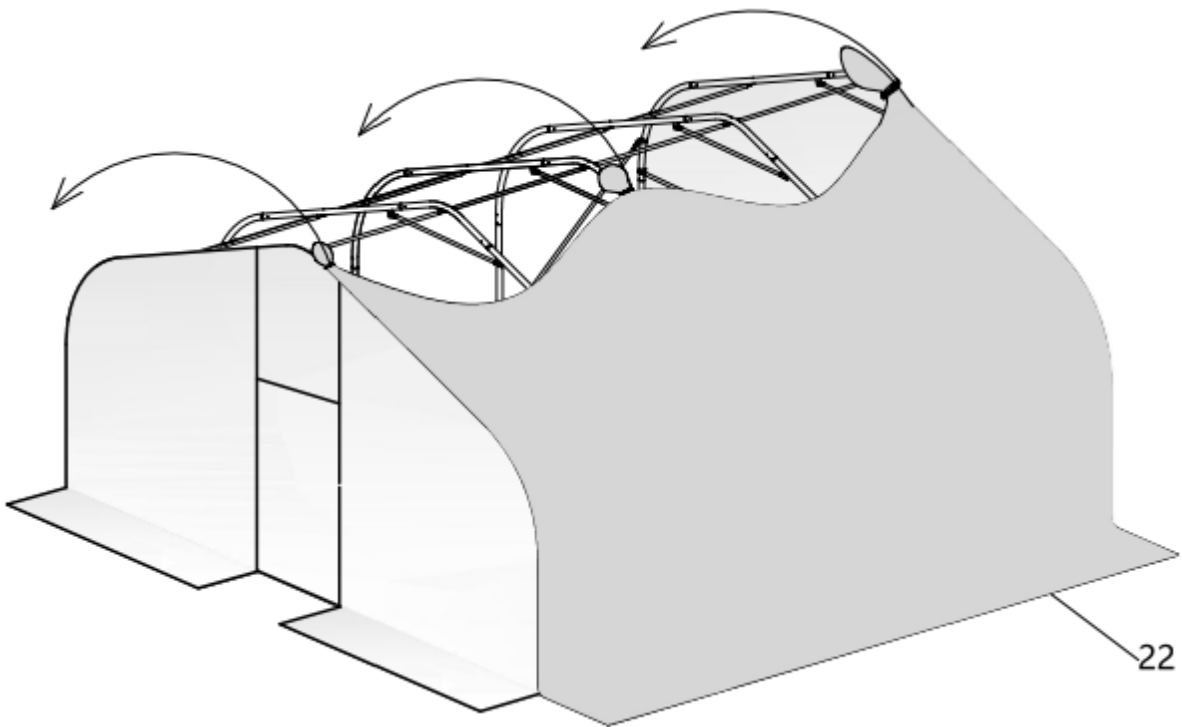
NO.	PART	QTY
23A		1
24		32m


ROPE CUTTING SIZE		
24		QTY
A	7m	2
B	9m	2

STEP 9 : INSTALL THE TOP COVER (#22).

DO NOT INSTALL THE COVER DURING WINDY WEATHER!

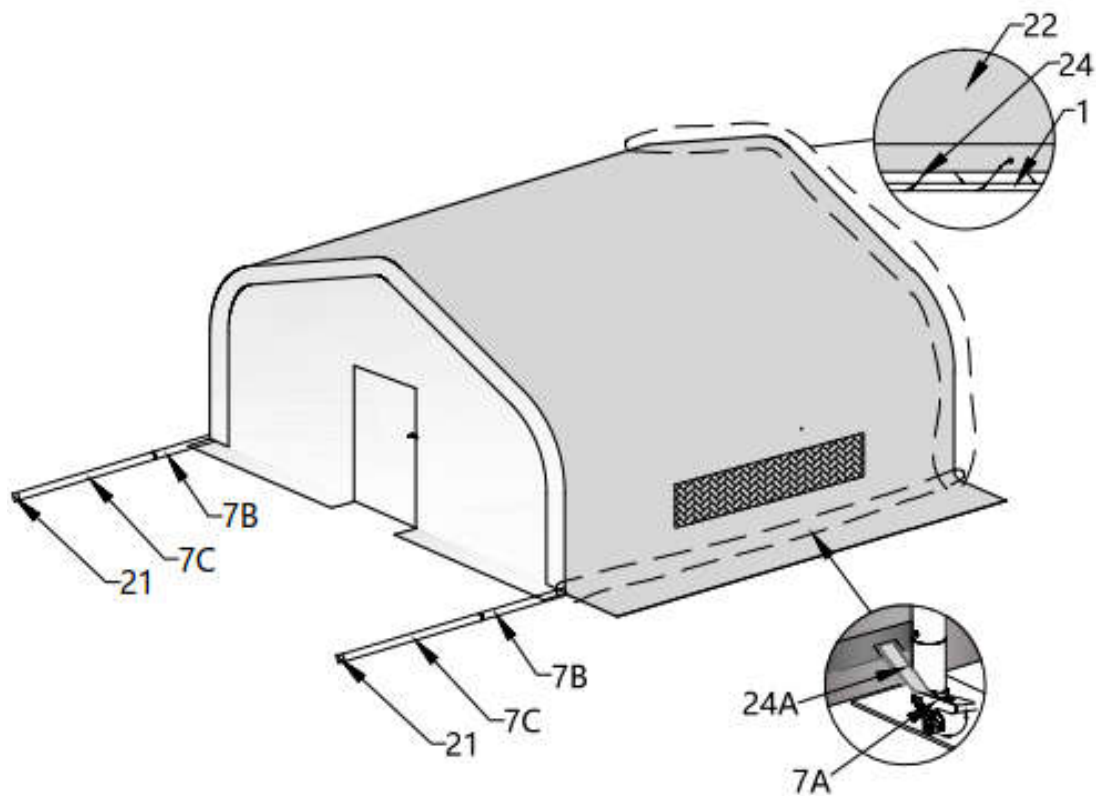
- Unpack the top cover and place it along one of the long sides of the structure.
- Use 3 to 5 ropes (#24) to pull the cover over the top of the structure, from the inside 2 or 3 people standing inside on ladders to push upwards will help to move the cover without any damage.


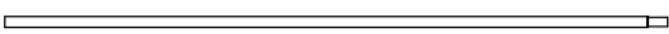






NO.	PART	QTY
22		1

STEP 10 : STRETCH AND TIGHTEN TOP COVER.

- The roof cover must be stretched and tied to the front and rear truss by rope going through the flap grommets on the cover. Start from the top center and go toward both side on each end. Add or cut the rope as needed.
- Pull and stretch the cover enough only to take wrinkles out. Repeat for the rear truss. Do not over stretch as it could rip off the grommets.



NO.	PART	QTY
7A		10
7B		4
7C		2
21		4
24		15mx2
24A		10

AFTER THE INSTALLATION

Inspect the building periodically to make sure the parts are firmly fixed and the whole building is well supported. Check all bolts and hardware connectors to make sure they are in place and tightened. Check the base plates, adjust the ropes if necessary and clean the cover regularly.

Snow accumulating on the fabric cover must be removed as soon as possible. If the snow had become the solid ice on the cover, it would increase the burden of the roof and collapse the building eventually or reduce the life span.

Keep the building on a dry ground condition most of the time. Do not keep the fabric dirt skirt under water all the time, otherwise the fabric will deteriorate easily.

We strongly recommend you remove any snow from the roof immediately. Do not leave any snow load on the roof overnight. Keep 3 feet of clearance from both sides and two ends of the ground all the time. Do not allow snow to accumulate and pile up on both sides of the building. Otherwise the pressure from both sides will push toward the building and make it collapse eventually.

WARRANTY INFORMATION:

Please refer to our website for detailed warranty conditions and coverage.
For the most up-to-date and comprehensive warranty information, visit www.tmgindustrial.com