

60/80/100 TON WEIGHBRIDGE TRUCK SCALE



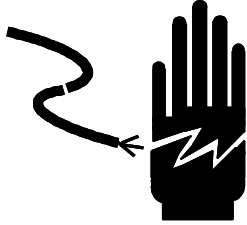
⚠ WARNING



- Please read and understand the product manual completely before assembly
- Check against the parts list to make sure all parts are received
- Wear proper safety goggles or other protective gears while in assembly
- Do not return the product to dealer. They are not equipped to handle your requests.

Missing parts or have questions on assembly?

Please call: 1-877-761-2819 or email: cs@tmgindustrial.com



 **Warning**

1. Making the professional technician to debug, inspect and maintain the equipment.
2. Keeping indicator and junction box has a good grounding connection.
3. Keeping all truck scale system has a good grounding connection.

 **Notice**

1. Weighing vehicle keeps straight when vehicle up and down truck weighing platform and prohibit turning the corner at weighing platform.
2. When vehicle goes to the weighing platform, the speed should less than 5Km/h, the Max. speed not more than 10Km/h.

 **Notice**

1. Please cut off the power before electrical connection of indicator.
2. Please wait for 30 seconds before you switch on the power to indicator.

 **Notice**

1. Indicator is a static sensitive equipment, please pay attention to take anti-static measure in the use and maintenance.

Content

1. Introduction.....	2
2. Operating Environment.....	2
3. Main Specification and Technical Parameter.....	3
4. System and Structure Introduction.....	4
5. System Installation.....	8
6. Debugging and Calibration.....	17
7. Operating Instruction.....	18
8. Maintenance.....	18
9. Common Troubleshooting.....	19
10. Common Troubleshooting.....	21

1. INTRODUCTION

SCS/ZCS full electronic module truck scale adopts advanced electronic weighing technology and reasonable structure design, the quality is stable and reliable, Hence vast numbers of customers trust and approve our products.

Truck scale system equips with high precision load cell and intelligent weighing display indicator, indicator has high sensitivity, high resolution and rich software function. Besides its works is stability and reliability. The printer prints weighing data via indicator standard output interface. Truck Scale system also can connects with computer to consist weighing management system. The whole truck scale system weighing rapidly and accurately, work is stable and reliable, convenient in operation, maintenance is simple. Truck scales are widely used in metallurgy, mining, machinery, chemical, port and all kinds of truck weighing measurement, which is the international advanced measuring equipment.

2. OPERATING ENVIRONMENT

Relative humidity: $\leq 95\%$

Power Supply: AC(110~220), 50~60HZ

Operating temperature: Load cell: $-30^{\circ}\text{C} \sim +70^{\circ}\text{C}$, Indicator: $0^{\circ}\text{C} \sim +40^{\circ}\text{C}$

Some need the explosion protection environment occasion (when installing explosion protection truck scale)

3. MAIN SPECIFICATION AND TECHNICAL PARAMETER

H2 series truck scale specification:

Max. Capacity (t)	30	60	80	100	120	Module		Qty. of load cell	
Axle loading (t)	20	20	35	35	40	Qty. of Mod ule	Module Combination		
Thickness of top plate (mm)	8	8	10	10	10				
Installation height of weighing platform (mm)	420	420	420	420	420				
Capacity of Load cell (t)	20	30	30	30	30				
Specification of Weighing platform(mm)	3x9	◆	◆						2
	3x10	◆	◆				2	5+5	6
	3x12	◆	◆				2	5.72+5.72	6
	3x15		◆	◆			3	5+5+5	8
	3x16		◆	◆	◆		3	5 +5.72+5	8
	3x18		◆	◆	◆		3	5.72+5.72+5.7 2	8
	3x20			◆	◆	◆	4	5++5+5+5	10
	3x24			◆	◆	◆	4	5.72+5.72+5.7 2+5.72	10

Note: We can custom the module combination according to customer's requirement.

TECHNICAL CRITERIA

GB/T 7723—2008 Stationary electronic scale

JJG539—97 Digital weighing scale national metrological verification procedures

4. SYSTEM AND STRUCTURE INTRODUCTION

4.1 System Composition

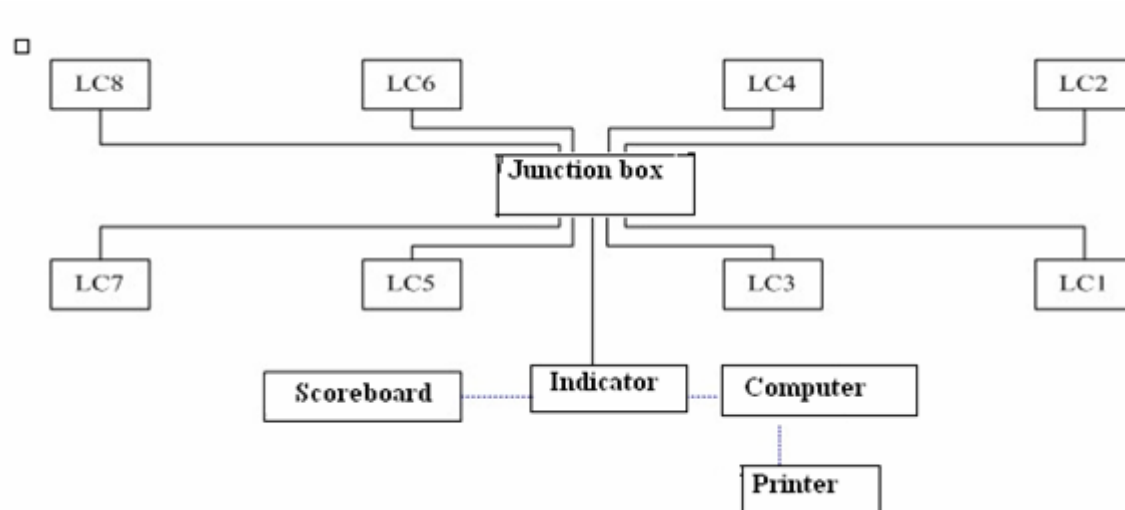
Truck Scale is consists of scale body, Load Cell and Indicator, It can matches different external equipment according to customer requirement for realizing various corresponding function.

4.2 Working principle

Upload the heavy object on weighing platform, the gravity of heavy object causes the elastic deformation of load cell. Electronic bridge and electronic resistance of stain gauge which paste on elastic body are out of balance, output the proportional electrical signals with weight value, converting an analog signal into a digital signal via indicator amplifier and A/D converter, showing the weight value directly after processing the weight signal by the microprocessor (CPU) of indicator. If indicator connects with computer and printer, indicator can transfers the weight signal to computer for managing the weighing data.

The figure as following:

4.3



BASIC FUNCTION AND FEATURE OF PARTIAL INDICATOR

Truck scale can be equipped with a variety of indicator, analog DZ2008-1QP, digital DZ2008-1EP

4.3.1 DZ2008-1QP

DZ2008-1QP is an AC/DC analog weighing indicator with some features: outstanding performance, novel appearance and simple operation, it contains reliable advanced hardware circuit and scientific software, it adopts single chip microprocessor and high speed and high precision A/D conversion technology. Executing advanced production technology, 72 hours aging test to ensure its reliability and stability on long –term work. It can easy to connect with one or more resistance strain gauge load cell for consisting electronic truck scale, floor scale and Electronic mechanic scale and so on.

Main function and feature

Don't need to calibrate again when change the indicator.

Indicator has good consistency. Don't need to calibrate again when change the indicator, the new indicator will be used well after inputting the parameter of original indicator.

Supports remote software upgrade and function restructure

Provide (ISP) remote upgrade and restructure service

Custom print content and format

Custom print format, optional serial print interface and thermal printer

Reliable protection anti-interference

Adopt hardware protection measures, effectively reduce the interference and interface damage

High precision A/D conversion, readability reaches to 1/50000

Set zero tracking range and zero setting(Starting up/manual) range separately

Switch three files division value automatically

Nonlinear correction function and calibration error correction function

Password management and regular shutdown function

Automatic/manual, without condition/condition, daily report/ classification statistical

report print setup

Rapid filling type weighing singles printing function setting

Weighing record storage/check/delete/power-off protection

Data protection when power-off > 5000h

Print a various of parameters of indicator and form to preserve and read.

4.3.2 Indicator DZ2008-1EP

DZ2008-1EP indicator adopts RS485 interface and combine with the digital weighing load cell to realize communication, communication distance: 1000 meters approximately. It can connect with 16 pcs load cells at most, do unbalance loading manually and automatically (four corners adjustment). It has easy pinyin input and humanized interface to realize data processing, such as display, calibrate, send, store, print. Execute strictly advanced production technology, 72 hours aging test to ensure its reliability and stability. It can easy to connect with one or more digital load cell for consisting electronic truck scale, floor scale and Electronic mechanic scale and so on.

Main Function and Feature

Interface adopts new magnetic isolation technology

Data protection when power-off > 5000h

Encryption function

Serial port detection function

Key detection function

During calibrate parameter increases function that Prohibit "remove tare", store tare", "set tare"

Switch two files division value automatically

Anti-cheating function

AC/DC

4.4 Accessories

4.4.1 Panasonic 1131 printer

Print method: 24 needle point formation

Print speed: full cursive-192 characters/ second (12 characters/inch)

letter quality 64 characters/ second) (12 characters/inch)

Operating temperature range: 10~35℃

Relative humidity: 30~80%

Power supply: 220~240V, 50~60HZ, 1.5A

Ribbon: cassette seamless textile ribbon, ink ribbon XK - P145

Dimension: 434×314×134.5(mm)

Three kinds of full cursive (Pica,Elite,Micron)

4.4.2 DASCOS DS-2600 printer

4.4.3 Scoreboard display

Display: 6 bits 3 inches, 5 inches super bright LED display

Communication interface: Standard RS232-C or 4~20mA current signal interface

Baud rate: 600、1200、2400、4800、9600 Optional

Operating environment temperature: 0~40℃

Operating environment humidity: 85%RH

Power supply: AC187~242V 49~51HZ

4.4.4 Computer weighing management system

The weighing management system is researched and developed by ZONJLI to make truck scale can be equipped with all kinds of computer and indicator. Special management software system has the menu prompt, human-machine conversation, printer and display function. System including following functions: Date, Time, Serial number, Model,

Specification, Vehicle number, Tare weight, Net weight, Gross weight, Accumulative, Total of cumulative, Tabulate form, Summary. All kinds of report forms can be print by printer. At present the management software has basic version, standard version, net version and so on.

4.4.5 Regulated power supply

Choose the corresponding UPS power supply according to equipment's power, recommend customer to choose the SANTAK'S UPS. If customer has high requirement to stability and precision of truck scale, customer can choose on-line UPS power supply.

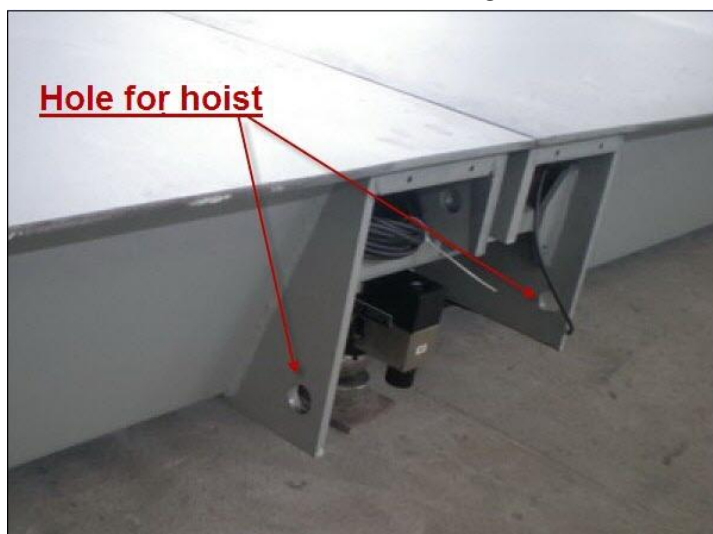
4.4.6 Lightning protection system

Since thunder and lightning has a big effect on equipment, except for doing the grounding for lightening of equipment peripheral, user also can choose the lightning protection equipment according to actual needs.

5. SYSTEM INSTALLATION

5.1 Weighing body's hoisting, transportation, stack and storage

5.1.1 Using hole for hoist when truck scale hoisting



5.1.2 During hoisting and transportation process, the place needs to do corresponding

protection measures (using rubber mat protection) to prevent scratches and bruising



5.1.3 Scale body should be placed in a horizontal position

5.1.4 Using rubber mad protection or cork pad protection between scale bodys when transportation and stack to prevent deformation.



5.2 Foundation construction requirements

The soil bearing capacity under concrete is required not less than 150KPa(15t/m²),if the geological condition at site do not reach to this requirement, it need be reinforced.

Foundation excavation must be dig to local permafrost

For the shallow foundation pit type foundation, it must set drainage channel, preserve manhole to make the maintenance easily, without foundation pit type foundation also need to consider surrounding drainage channel to ensure no water in it.

It is better to keep the straight road and its length not less than scale body length when up

and down scale to prevent scale body's dumping due to the lateral force produced by turning; At the same time it also need to consider the slope gradient of without foundation pit, suggesting the slope gradient will not more than 8 degree, otherwise the ultra long vehicle can't up and down the scale body.

5.2.1 User provide the foundation embedded plate

5.2.2 Please pay more attention to maintenance after finishing foundation construction. It is can't install weighing platform when concrete don't reach to the design strength.

5.2.3 The signal cable of truck scale is derivate from junction box, it enters into the weight house through metal treading pipe. User determines the position of metal pipe according to the basic design and site layout.

5.2.4 User determines the weight room design of truck scale according to the actual needs, the power supply of weight house must be connected to grounding well. It is better has a independent setting about the connecting grounding between inside of weight house and outside of weight house. The weight house should less than 50 meters from weighing platform.

5.3 Weighing platform installation

5.3.1 The required equipment and tool when installation and debugging

Crane, confirm the crane tonnage according to maximum weight of unit weighing platform and crane position at site, suggesting the crane specification according to double weight of unit weighing platform (consisting of left module and right module)

Lifting jack (more than 5t) 1pcs

Monkey wrench 2pcs,

20m Tape measure 1pcs,

Socket head screw wrench 1pcs

Screws tap 1pcs

Combination screwdriver 1psc

5.3.2 Preparation work before installation

According to the technical requirement of basic design, check and accept foundation construction quality, review the size of foundation embedded plate, levelness and relative level size, the distance between two lead slope, whether the diagonal are too big,

checking the foundation plate is impending or not.

Checking if reserve metal pipe or not and if the metal pipe is unblocked or not

Checking if the drainage channels of foundation pit is unblocked or not, if shallow foundation pit leave manholes or not, if the length, width and diagonal meet the requirements or not, to avoid affecting the installation and using because of foundation construction size is unqualified.

Cleaning the garbage and sundry in foundation pit

Cleaning foundation plate, limit screw to tap again, connect the grounding wire well, tighten the four corner nut (the nut of anchor bolt)

Check if the power supply in accordance with the provisions or not

Please check the accessories according to packing list after open the case

The accessories of load cell installed to right place

Screw the longitudinal limit bolt and nut into the longitudinal limit thread hole of scale body and paint butter

Using shackle to fix the steel wire rope for readying hoisting

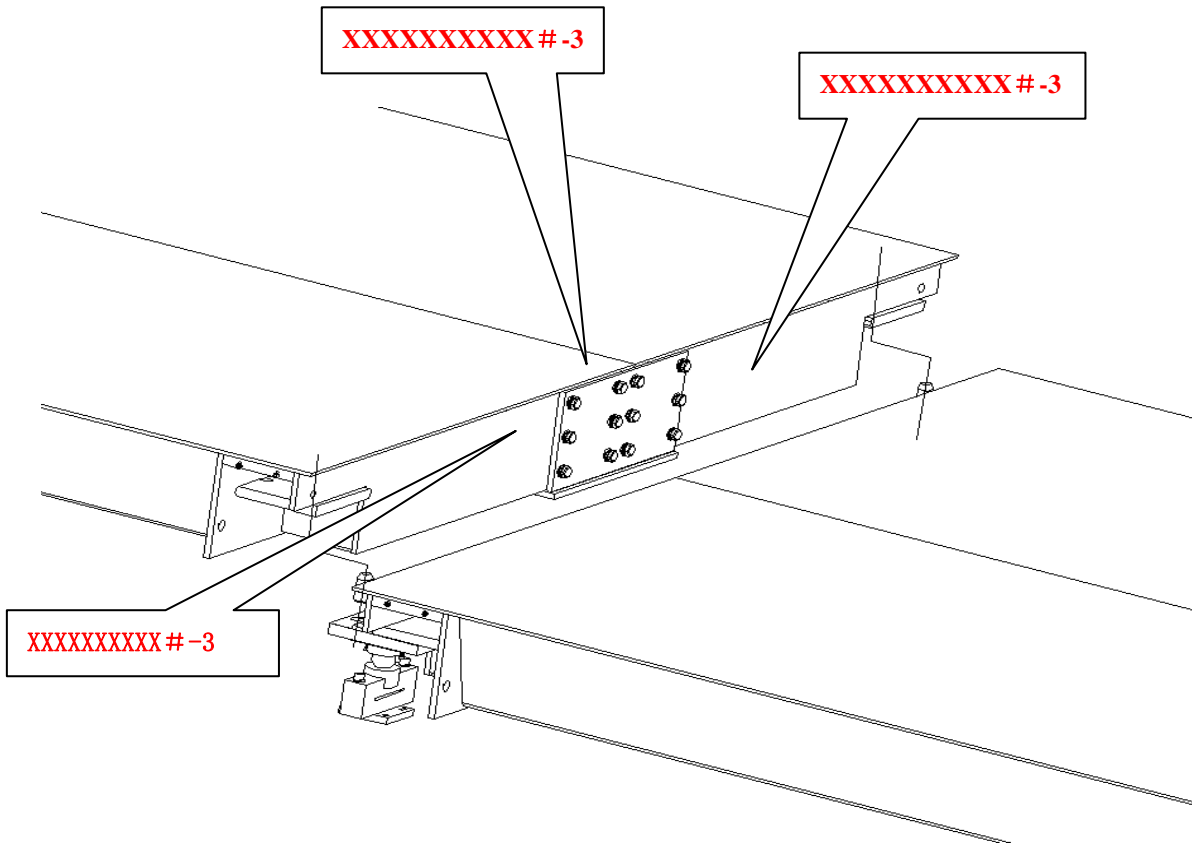
5.3.3 Weighing platform installation

5.3.3.1 Put the two unit of weighing platform together according the serial No. marked on weighing platform, Please note: the two ends of weighing platform must be hang in air and keep them in the same horizontal level.

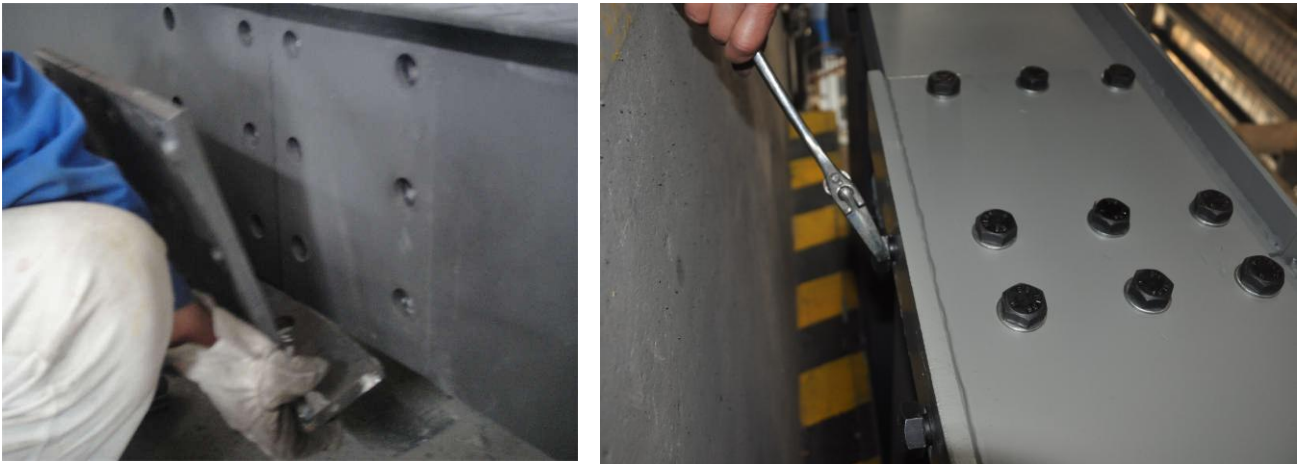


Note: Please find out the 2pcs same serial No. weighing platform out and find out the same serial No. connection plate out. Then install them together. Different serial No. weighing platform can't be installed together.

Such as XXXXXXXXXXXX #-1 with XXXXXXXXXXXX #-1 together, XXXXXXXXXXXX #-3 with XXXXXXXXXXXX #-3 together. Prefer to following diagram:



5.3.3.2 Installing weighing platform connecting plate



5.3.3.3 After installing the connection plate, two sets a half weighing platform consists of a large weighing platform, which finish the assembling of weighing platform



5.3.4 Weighing platform in place

When the truck scale need to hoist beside it has more than two pcs weighing platform, firstly hoist the weighing platform marked 1 section—with four load cell installation place), the speed of hoisting must be gentle to prevent damaging load cell as the speed too fast, besides it is hard to put the weighing platform in right place if the speed is too fast. Examine if press on the center place or not after putting down weighing platform, examine if press compactly or not, if it is not compaction, please adjust it until the force is same on each point.

5.3.4.1 Installing limit bolt and adjusting limit clearance

5.3.4.2 Longitudinal limit installation

At two ends of weighing platform lead slope, adjusting the longitudinal limit bolt to make the clearance is 4~6mm between head of bolt and iron plate of foundation lead slope, then lock nut.

5.3.4.3 Up and down the new truck scale repeatedly to ensure all fittings can reset and all limits can work, examine if all limit clearance is suitable or not again.

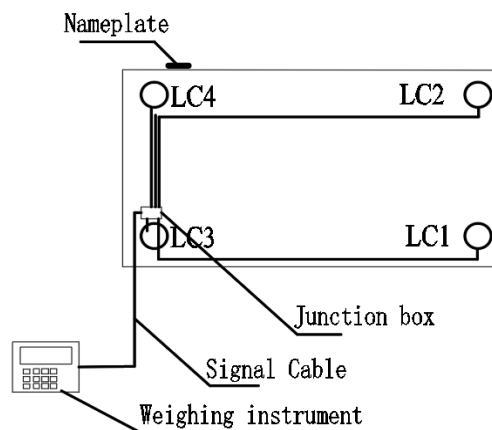
5.4 System on line and grounding

5.4.1 System on line

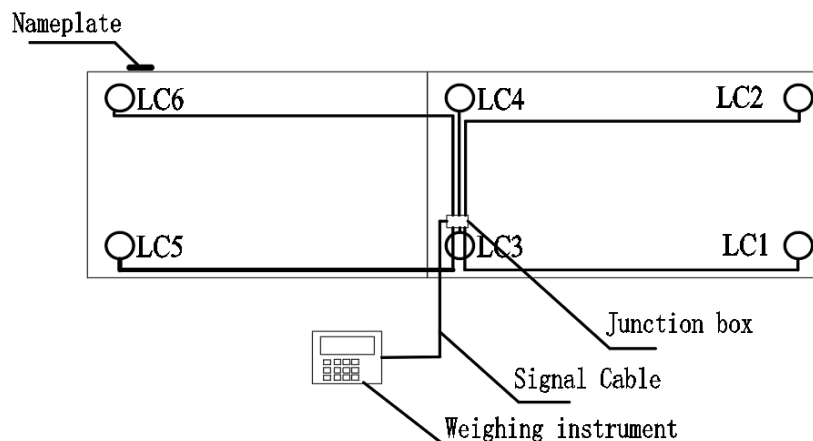
Electronic truck scale connection include: load cell and junction box, junction box and indicator, indicator and printer, computer and so on

5.4.1.1 Wiring diagram

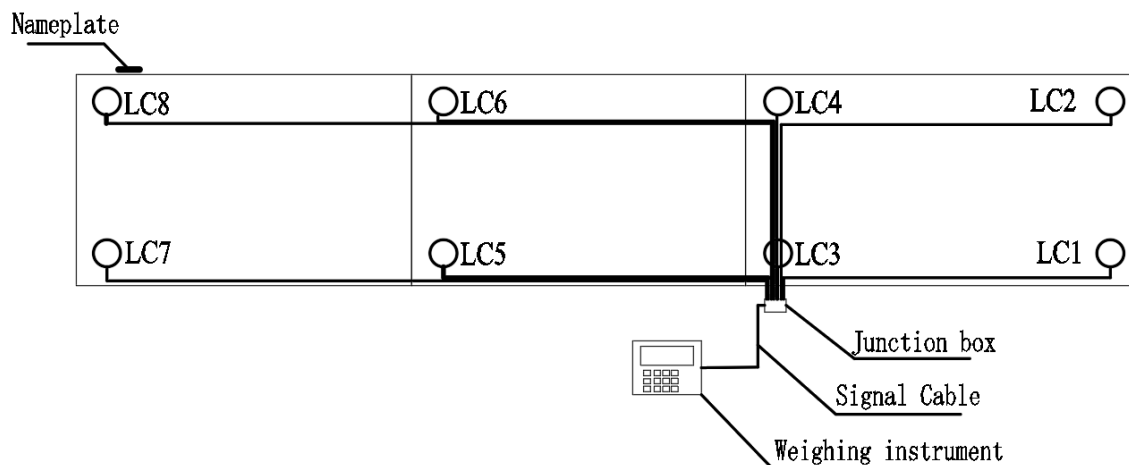
A 、 Truck Scale with single weighing platform(4 pcs load cell)



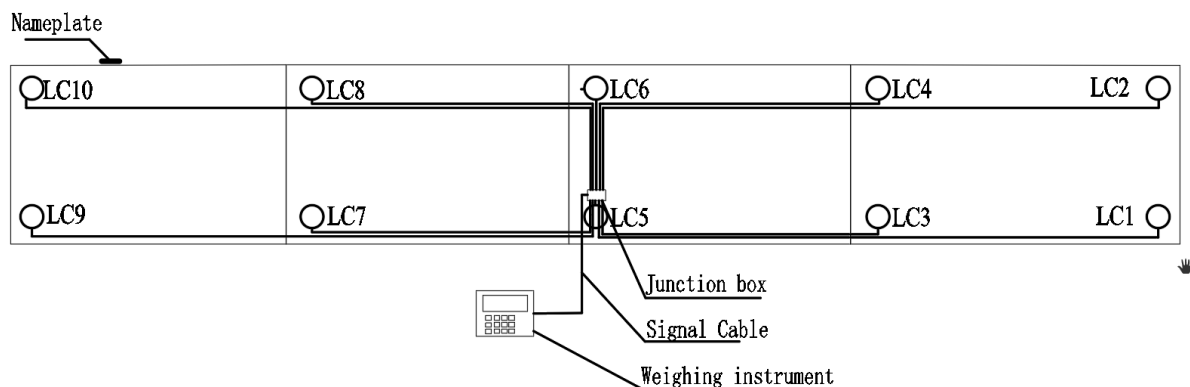
B 、 Truck Scale with 2 sets weighing platform(6 pcs load cell)



C、Truck Scale with 3sets weighing platform(8 pcs load cell)



D、Truck Scale with 4sets weighing platform(10 pcs load cell)



5.4.2 The connection between load cell and junction box

Send the cable of load cell to junction box through scale body and junction box sealing head. Fix each core wire in junction box, Connect the core wire of load cell to corresponding welding plate or binding post of junction box according to the color code. After finishing the wire connection, screw lock bolt of junction box sealing head, cover load cell plate and screw the bolt of cover plate.

5.4.3 The connection between junction box and indicator

Use special signal cable, send one port of signal cable to junction box through junction box sealing head, Connect the core wire of load cell to corresponding welding plate or binding post of junction box. Send the another port of signal cable to weight house and it connects with 9 core D shape flat plug, Insert the plug to indicator corresponding interface.

5.4.4 The connection of power line

Insert the plugs of indicator, printer and computer to multi-function wiring board, Insert the plug of wiring board to output port of regulated power supply, insert the plug of regulated power supply to output port of surge protection device, insert the plug of surge protection device to interface of external power supply, all equipment must be connect grounding if the equipments have the grounding requirement, Otherwise each protection measure will lose protection.

5.4.5 System grounding

5.4.5.1 Truck scale system grounding is very important, it not only to protect the personal safety but also ensure the system stability

5.4.5.2 Truck scale's grounding give priority to distribution network grounding, the rebar under concrete forms grounding network and regard the anchor bolt as the grounding point, If the grounding resistance can not reach the requirements, please add the grounding pole, parallel the rebar and grounding pole together to achieve the best effect.

5.4.5.3 Grounding line installed in the following position

Junction box grounding: connect one port of grounding cable to grounding screw of junction box, connect another port to anchor bolt through bolt, nut and gasket

Scale body grounding: connect one port of cable of each load cell to bolt of scale body, connect another port of cable of each load cell to anchor bolt

Arrange the distribution network grounding, at the same time please arrange the grounding rod near scale body, making it connect with distribution network together and ensuring the grounding resistance less than 4Ω

The power supply of indicator must have independent power cord, it can't use the same cord with other high power electric equipment

5.4.5.4 Don't set or connect other high voltage equipment grounding cable to grounding pole of truck scale, otherwise it will affect the use of truck scale because of other equipment leakage.

5.4.6 The connection of scoreboard display

Regarding the connection method please refer to scoreboard display's manual and indicator's operating manual

6. DEBUGGING AND CALIBRATION

6.1 Preparatory work

Examine the wiring is correct or not, examine the wiring is loose or not, examine the wiring is break or not

Starting up the system and preheating indicator for 15 minutes

Sending standard weight and crane equipment to site

Familiar with the operating manual of indicator

6.2 Weighing display indicator operation

Truck scale can be equipped with a variety of weighing display indicator, please refer to the operating manual regarding indicator's technical parameter and operation method.

6.3 Debugging at site

Put the weight on weighing platform to check the weighing result, all parameters of truck scale have been set and do standard correction before leaving factor. In general truck scale doesn't need to reset and correct at site. But if the weighing value isn't accurate greatly, please correct it again.

6.4 Unbalance loading adjustment

Using weight to do unbalance loading adjustment after indicator enter into weighing state.

Pressing angle orderly to make the display value error of each angle do not exceed the allowable error. If exceed, please adjust the corresponding potentiometer until the display value is same of load cell of each angle , the output will be reduce when clockwise rotation, the output will be increase when counterclockwise rotation.

6.5 Reset and correction

Please reset and correction when display value of truck scale is exceed the allowable error value or replace the load cell, indicator's main board. Regarding the reset and correction method please refer to indicator operating manual.

7. OPERATING INSTRUCTION

Indicator has a variety of functions, such as the change of time and date, the storage of tare weight and accumulation and so on, user can operate according to needs.

Indicator detailed operation please refer to operating operation

Printer detailed operation please refer to operating instruction

Software operation of Indicator, computer and printer, please refer to the manual of software

Indicator appears error code, please refer to operating manual, do corresponding inspection and processing after knowing the meaning of code. If can't handle please apply for the technical support to ZONJLI company.

8. MAINTENANCE

8.1 General requirements of maintenance

The maintenance of indicator, printer and computer please refer to their operating instrument

Don't let objects to jam the clearance of weighing platform, such as garbage, coal briquette, stone and so on, they all should be cleared away.

Examine the horizontal and vertical limit clearance of scale body usually, if finding the clearance isn't suitable, shall adjust it immediately. if the clearance does not adjust well, it will affect the weighing and using. Pay special attention to: in general weighing instrument is installed at outside, because of the season (such as summer and winter) temperature change to make the scale body happening expand with heat and contract with cold, so the limit clearance has a great change, it causes stuck death or the limit clearance too big, hence examine and adjust the limit clearance in time.

Foundation pit shouldn't have water, if the foundation pit has water because of heavy rain, should remove water using water pump and unblocked drainage channel. Examine the load cell once it soaked in water. Power on after taking measures to dry the load cell.

In cold areas if surround temperature of load cell is less than -20°C , should consider heating up measures.

Indicator and load cell all are static sensitive equipment, don't execute the welding or strong current operation on scale body. In thunderstorm weather if don't have the lightning protection system please stop to use, besides pull out all connector of power plug and network plug to ensure weighing system is completely cut off with external power and signal cable.

The weight of vehicle and goods shall not exceed rated weighing range

The weight house should be set fire security equipment and facilities

8.2 Replace Load cell

Replace the load cell according to following steps once finding load cell is damaged

Open the cover plate of damaged load cell, lifting the weighing platform by jack and take off the load cell, then cut off the wire of bad load cell.

Tie up the connector of new load cell to the cable of load cell which is cut off

Open the junction box and release the electric cable between damaged load cell and junction box

Pull out the cable (is cut) of bad load cell from junction box, take the new load cell cable to junction box and connect the cable well

Install new load cell well and fix it

Close the cover plate, tighten the screw of cover plate

Examine if each angles of truck scale are consistent or not after replacing load cell, It needs to adjust again when each angles not consistent.

9. COMMON TROUBLESHOOTING

9.1 Find the malfunction position

Truck scale occur fault, according to the fault phenomenon to judge malfunction position initially.

First of all checking the indicator if is it ok or not. If the indicator works normally, than mean the fault is beyond the indicator, then check other parts.

9.2 Indicator troubleshooting

Indicator troubleshooting should be handled by professional maintainer. The user can replace the standby indicator or main-board or power panel, A/D board to recover system, making the truck scale can work normally. It need to calibrate again when replace the standby indicator and standby main-board, A/D board.

9.3 Weighing platform troubleshooting

9.3.1 Weight is not accurate, First of all checking the surround of weighing platform to confirm if these is sundry accumulation or not and if the clearance is too smaller or not and if the scale body is deformation or not. If it does not exists mechanical malfunction, the fault must occur at circuit aspects.

9.3.2 Checking if these is water in junction box or not, if yes, please use the alcohol to clear and dry the junction box by blower.

9.3.3 Checking if the cable has short circuit or not. Open junction box, using multimeter to check the shielded wire, other wire and resistance of weighing platform. At the same time checking the conducting wire and ground wire to see if these is leakage and short circuit. Please replace the electric cable if finding leakage and short circuit phenomenon. In addition put the weight on the corresponding load cell's weighing platform in turn, if find the value is error, put the weight on the load cell angle of weighing platform, pay more attention to check the load cell and the situation of the load cell. Such as if load cell's accessories at the middle or not, signal is damaged or not, if these has sundry around weighing platform, if these is limit or not. If the answer is yes, please solve that problem, recover to work. If everything is fine after checking that mean the load cell is damaged, so please replace the load cell according to 8.2

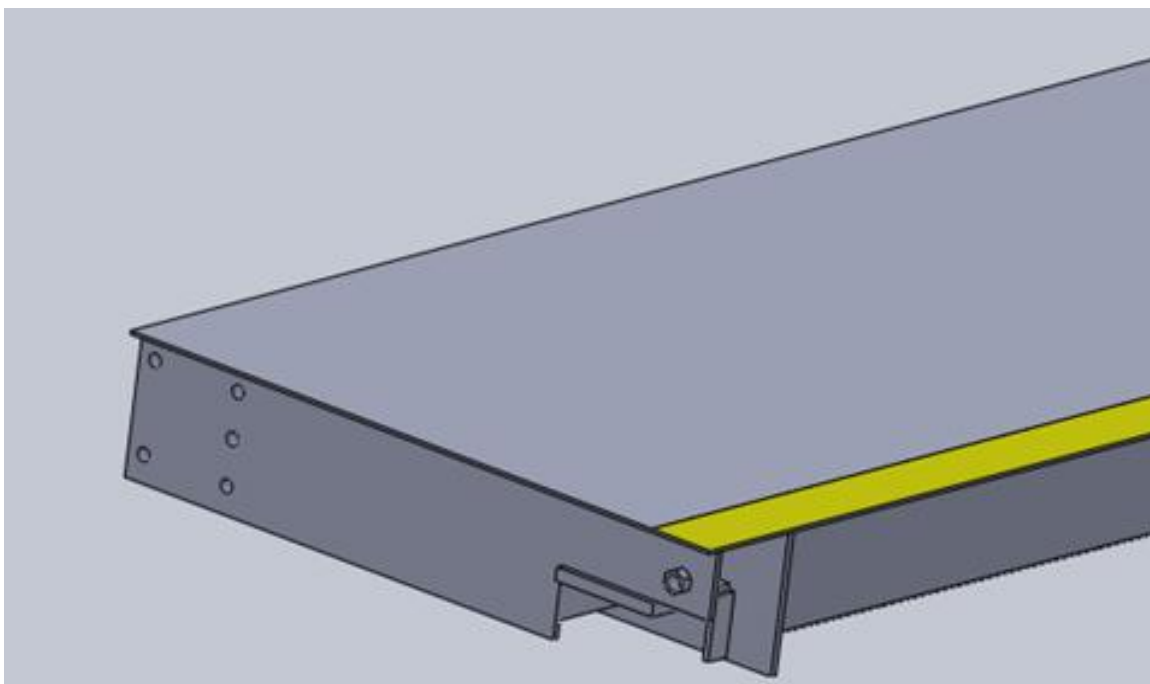
9.4 General common troubleshooting

Phenomenon of common troubleshooting	Cause	Troubleshooting Method
Indicator can't display when starting up	<ol style="list-style-type: none"> 1.The power is disconnected 2. Indicator is damaged 	Checking whether the power plug picks up or break Checking regulated power supply Checking fuse wire Checking the power of indicator
Display value not stable	<ol style="list-style-type: none"> 1.Conducting wire is bad contact or damaged 2.The output of regulated power supply is not stable 3. Junction box is affected with damp 4. Load cell has fault 5.Indicator has fault 	Examine conducting wire and its connector Examine the output of regulated power supply by multimeter Drying the junction box by blower Refer to 8.2 section Refer to 9.2 section
Weighing value isn't accurate	<ol style="list-style-type: none"> 1. Weighing platform isn't flexible, some objects jammed it. 2.Limit device is invalid 3. Load cell has fault 	Examine the clearance of weighing platform, clear objects and adjust limit clearance Refer to 8.2 section

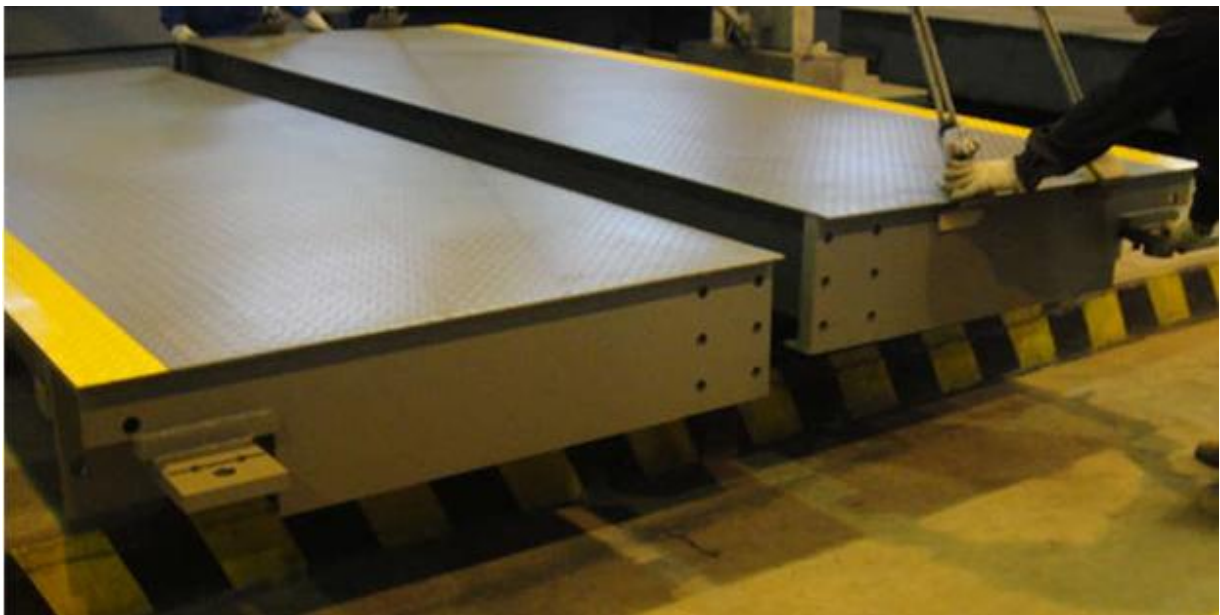
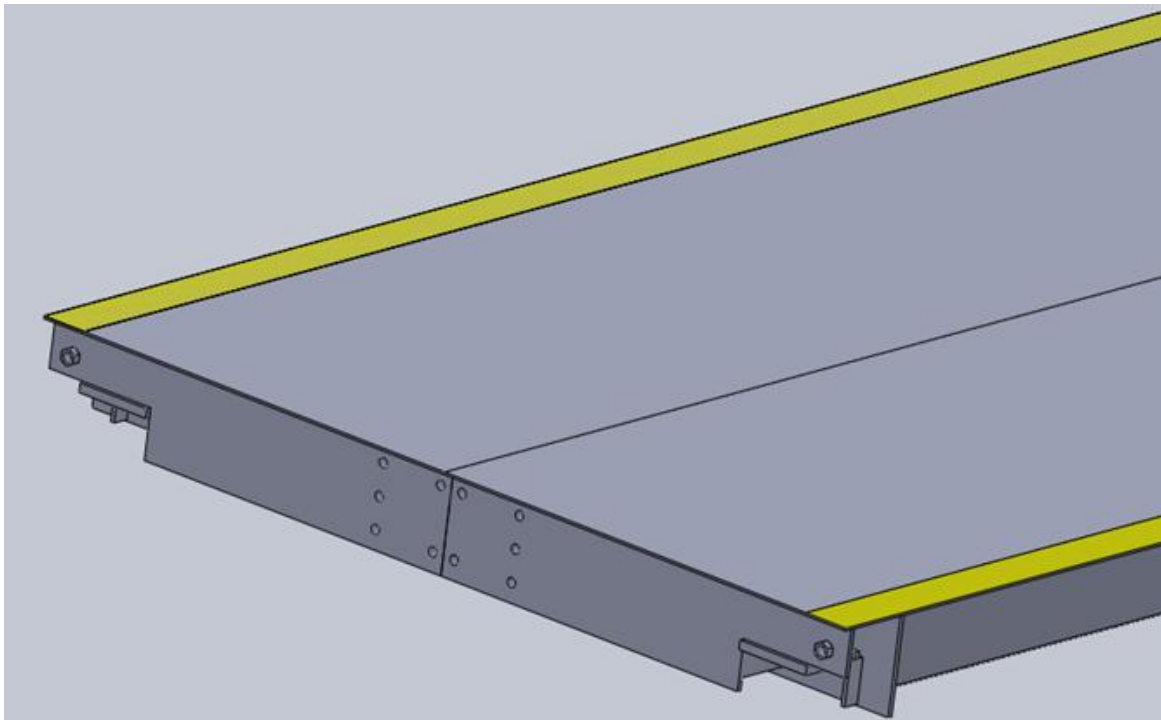
10. TRUCK SCALE INSTALLATION BASIC FLOW CHART

Assemble weighing platform

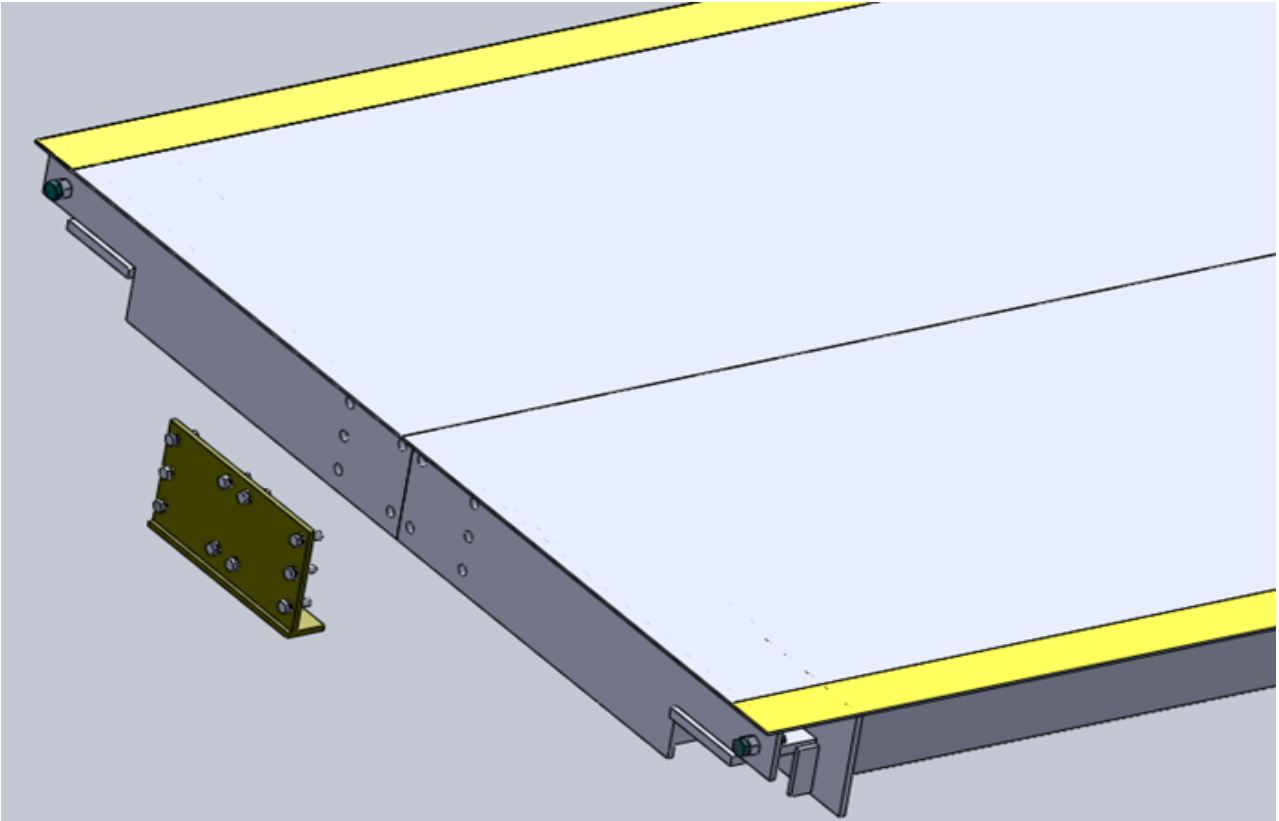
Installing the first weighing platform firstly and putting the half of first weighing platform to a flat place, beside the weighing platform's both ends hangs in air



Lifting the other part of first weighing platform and making a good connection



Installing the connecting plate

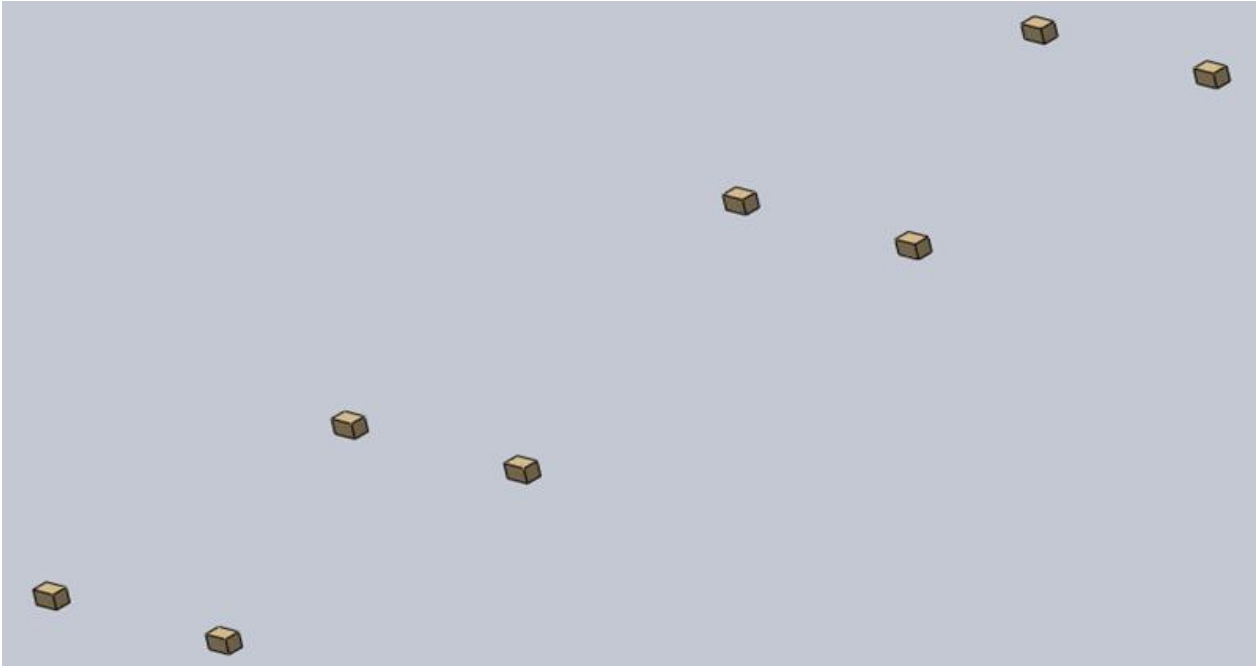


Above is the first weighing platform installation basic flow chart, the second weighing platform and third weighing platform's installation is similar the first weighing platform's installation method

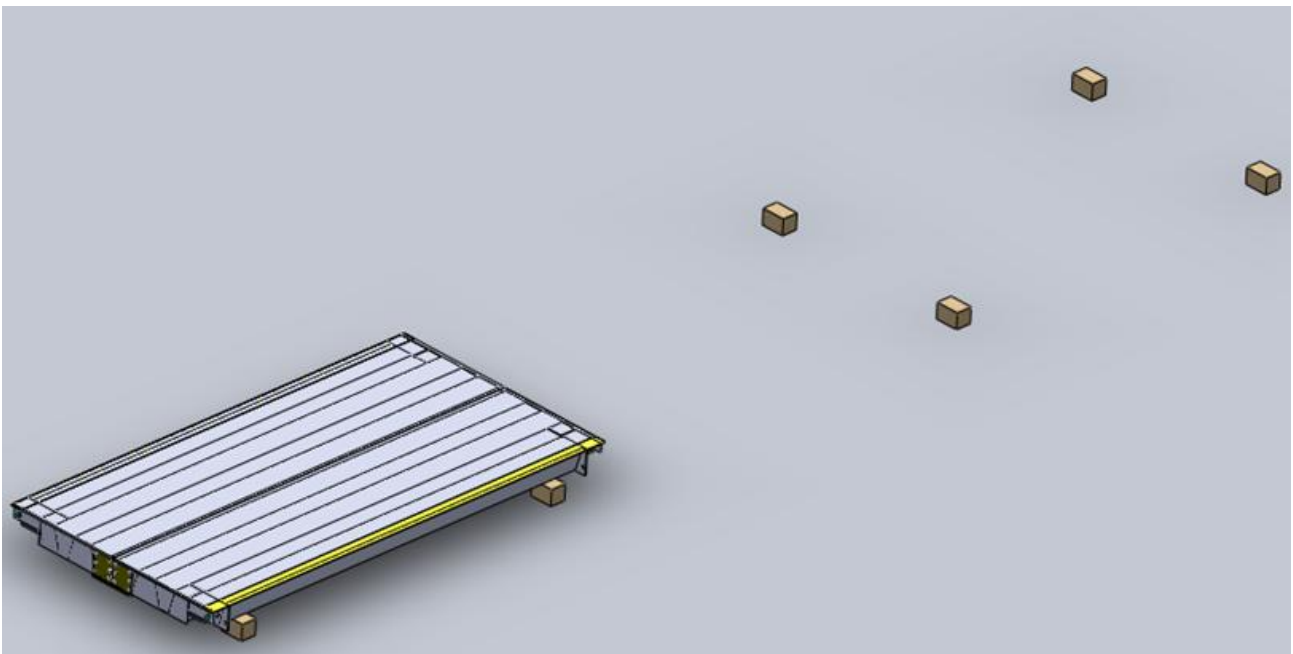
Truck Scale's Installation

A. First of all. put some wood pad to foundation's suitable place, the horizontal distance of mat woods is 2.6m.

Longitudinal distance of mat wood is 5~6m.



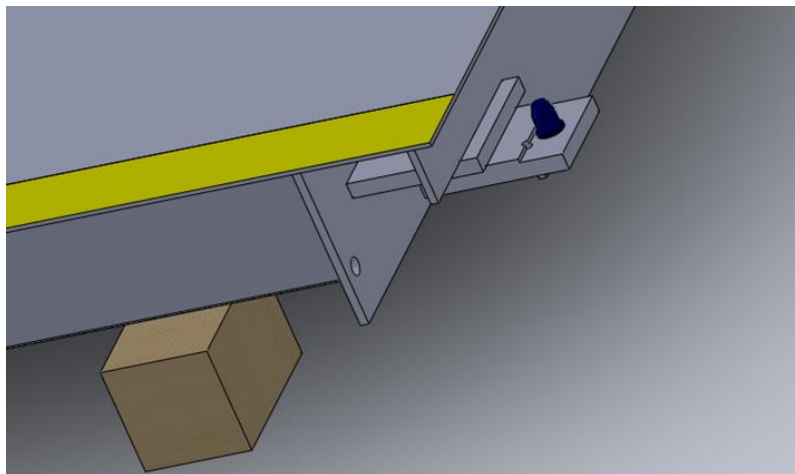
B. Place the first assemble weighing platform well



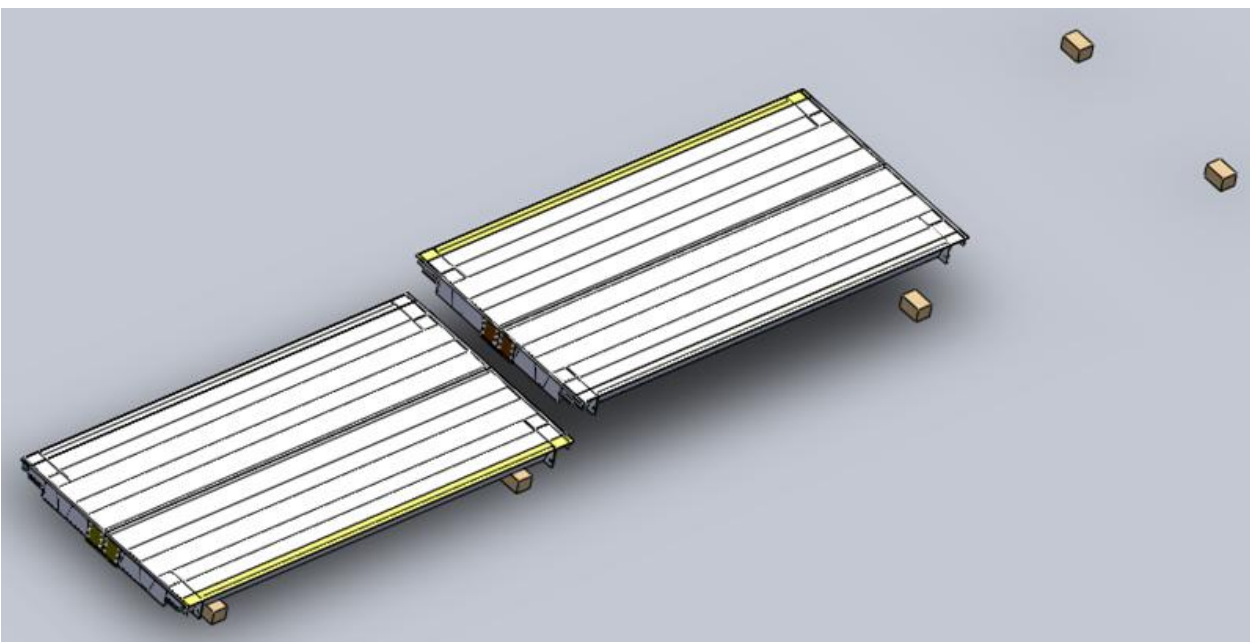
Side view of first weighing platform



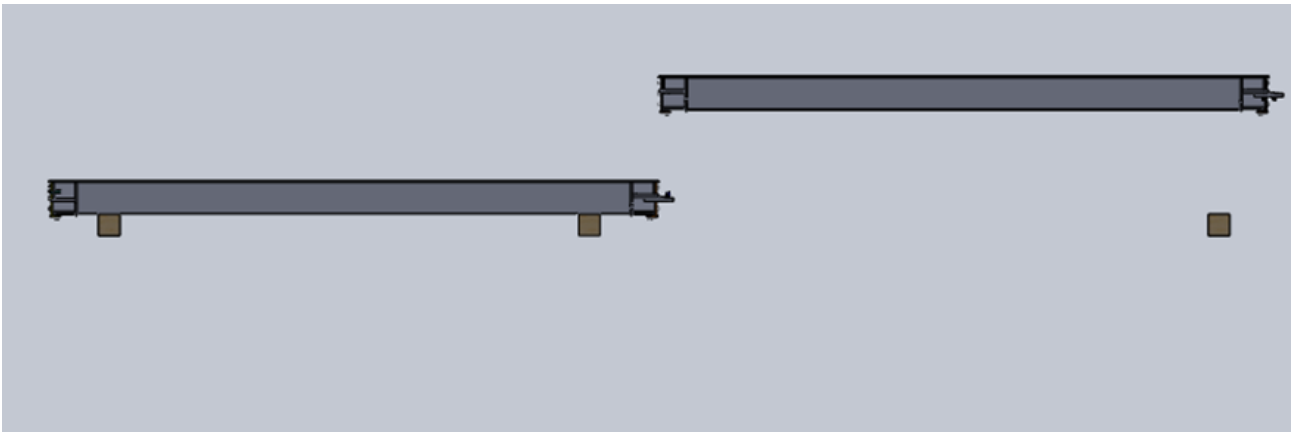
Place down dowel pin well



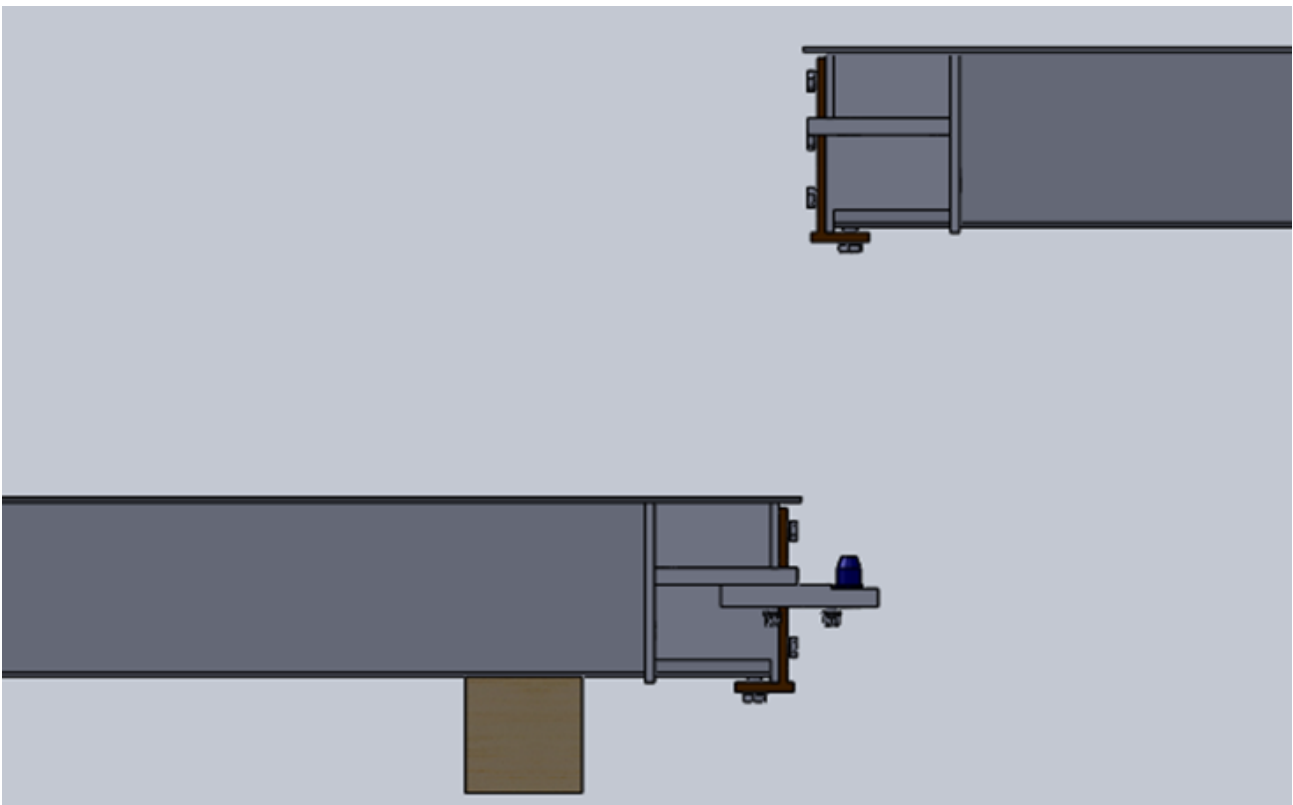
D. Lifting and placing the second weighing platform



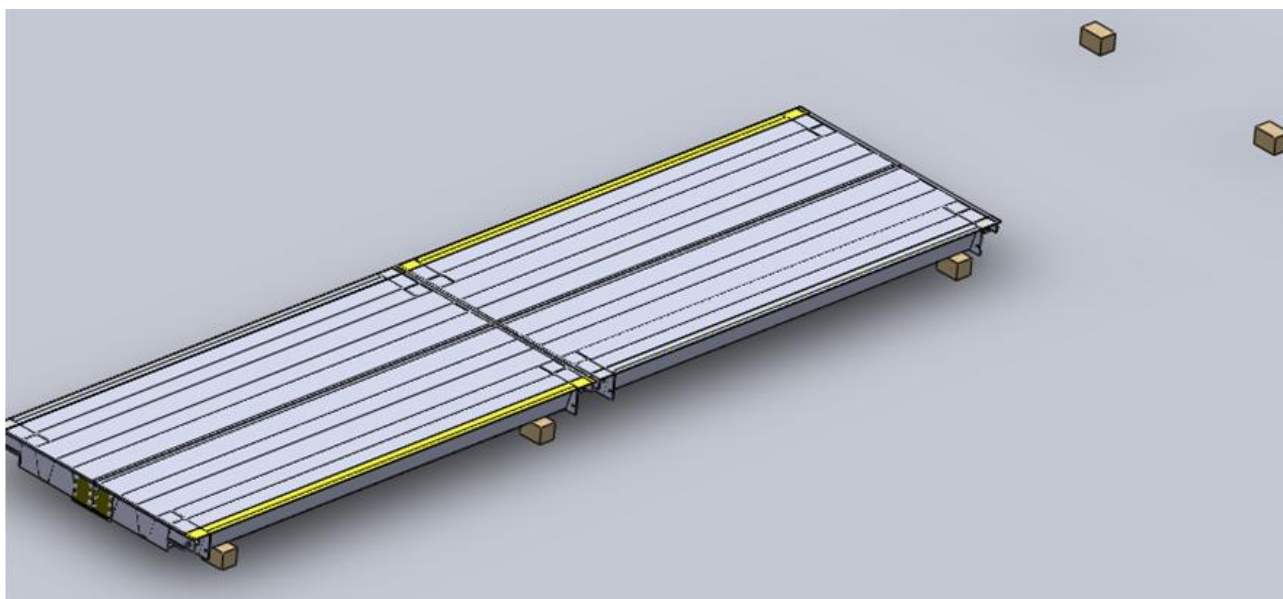
Side view



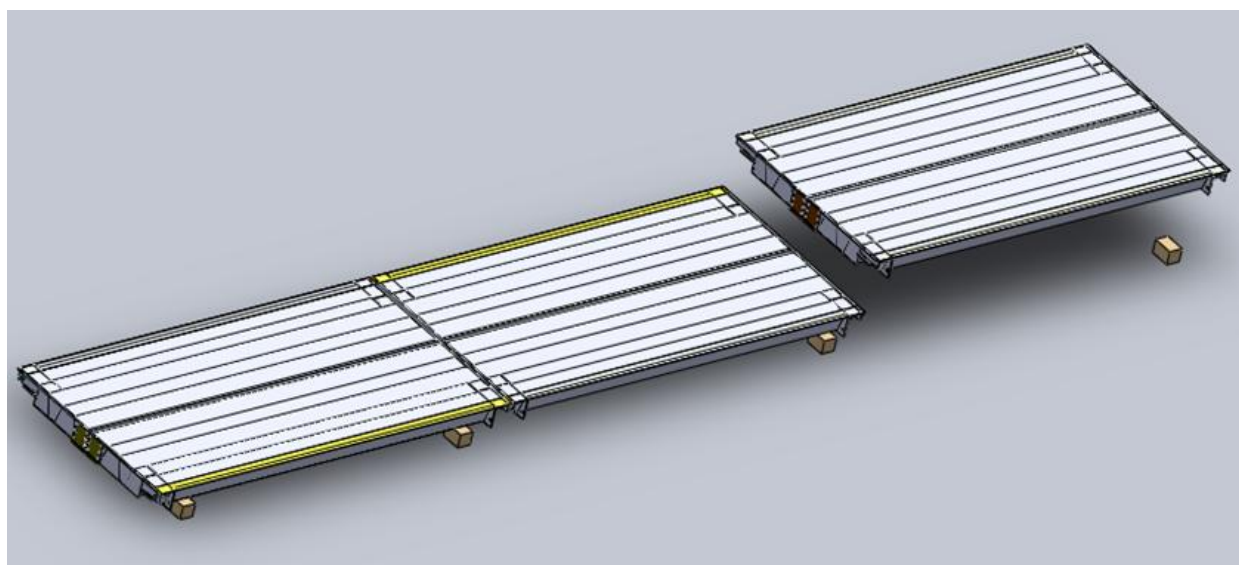
Partial enlarged drawing (Note: Second weighing platform and first weighing platform is connected together by pin)



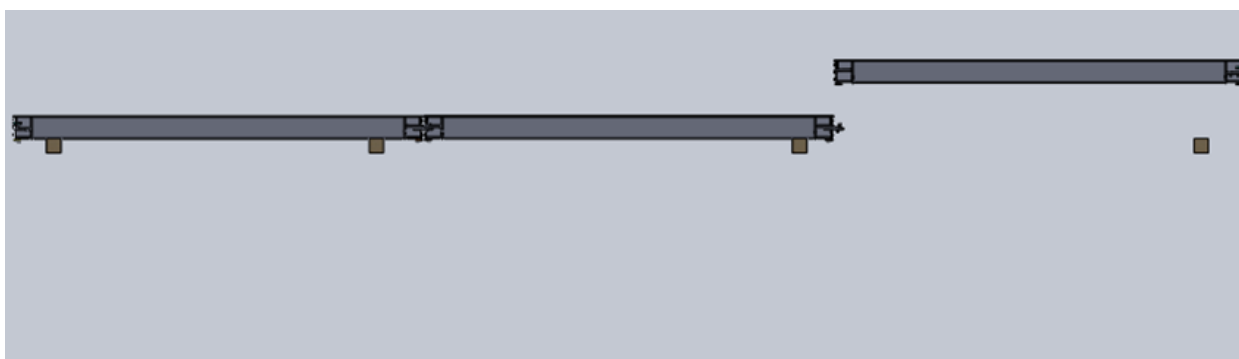
Second weighing platform's placing is finished



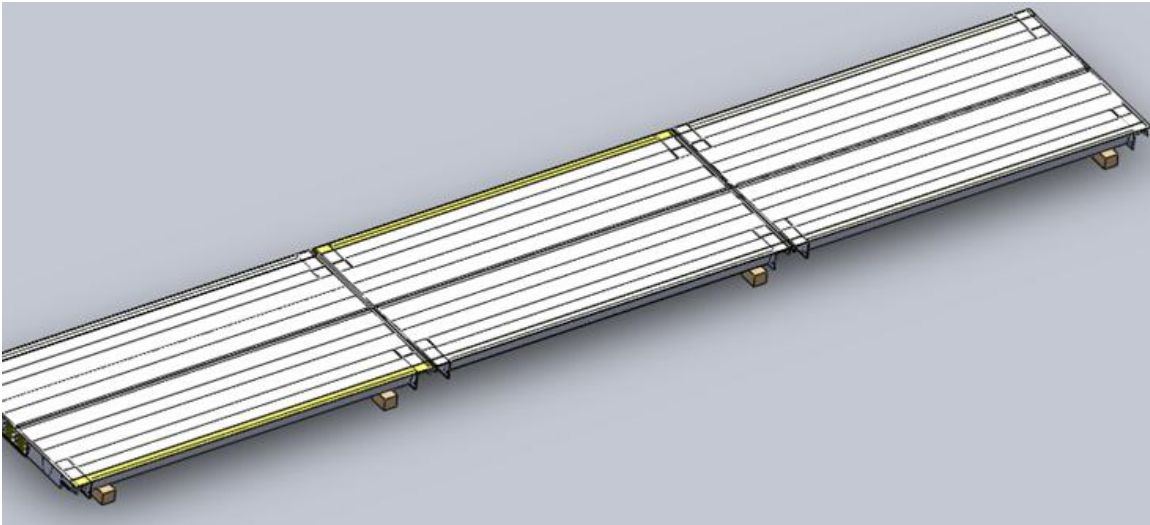
E. Lifting and placing third weighing platform, at the same time install the dowel pin to second weighing platform



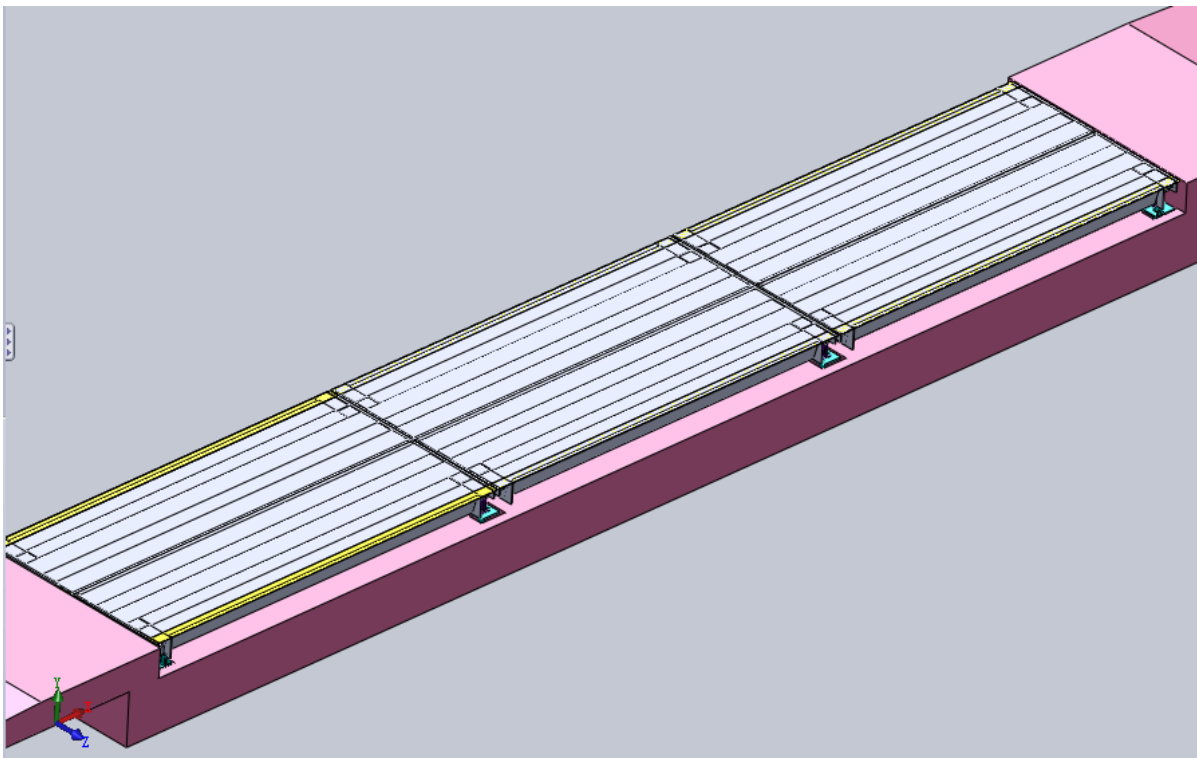
Side view



Third weighing platform installation is finished



Finish installation drawing



INSTALL LOAD CELL

1. Use jack to jack-up the weighing platform near to load cell, install load cell to suitable place of embedded iron plate on foundation, adjust the load cell to correct place, then put down the jack.
2. Install other load cells like method 1. At the same time move out the wood pad.
3. Guaranteeing weighing platform puts on load cells after moving out wood pad, and adjust each load cell's place and force, to sure each load cell receive strength evenly and in correct position. Note: When adjust load cell's force, can put gasket to the bottom of load cell to adjust the height, so that making each load cell to receive strength evenly.
4. Adjust limit bolt's spacing clearance in vertical (4mm~8mm).
5. Let the truck to go to the weighing platform, the truck's weight not less than 20t, repeat up and down the weighing platform .
6. Load cell's connection wire should to connect to junction box .
7. Connect the signal cable from junction box to indicator.
8. Proceed debugging and calibration after turn on power of half a hour.

Finish above steps that mean finish truck scale's installation

WARRANTY INFORMATION:

Please refer to our website for detailed warranty conditions and coverage.
For the most up-to-date and comprehensive warranty information, visit www.tmgindustrial.com